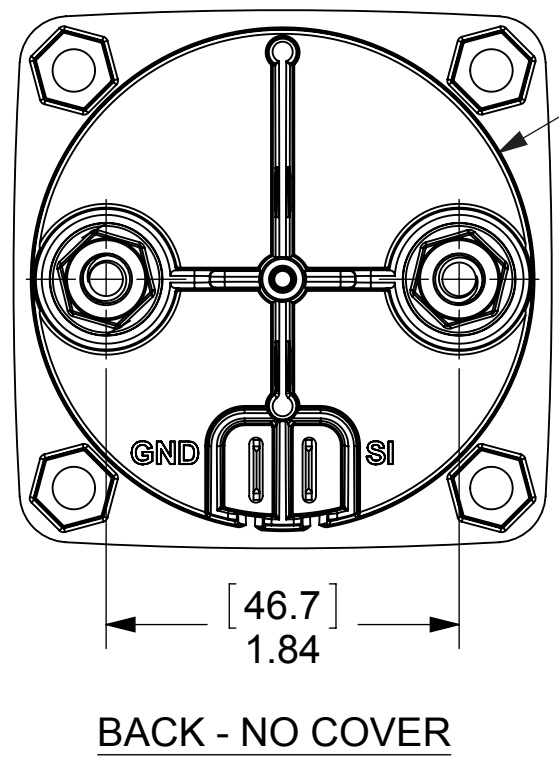
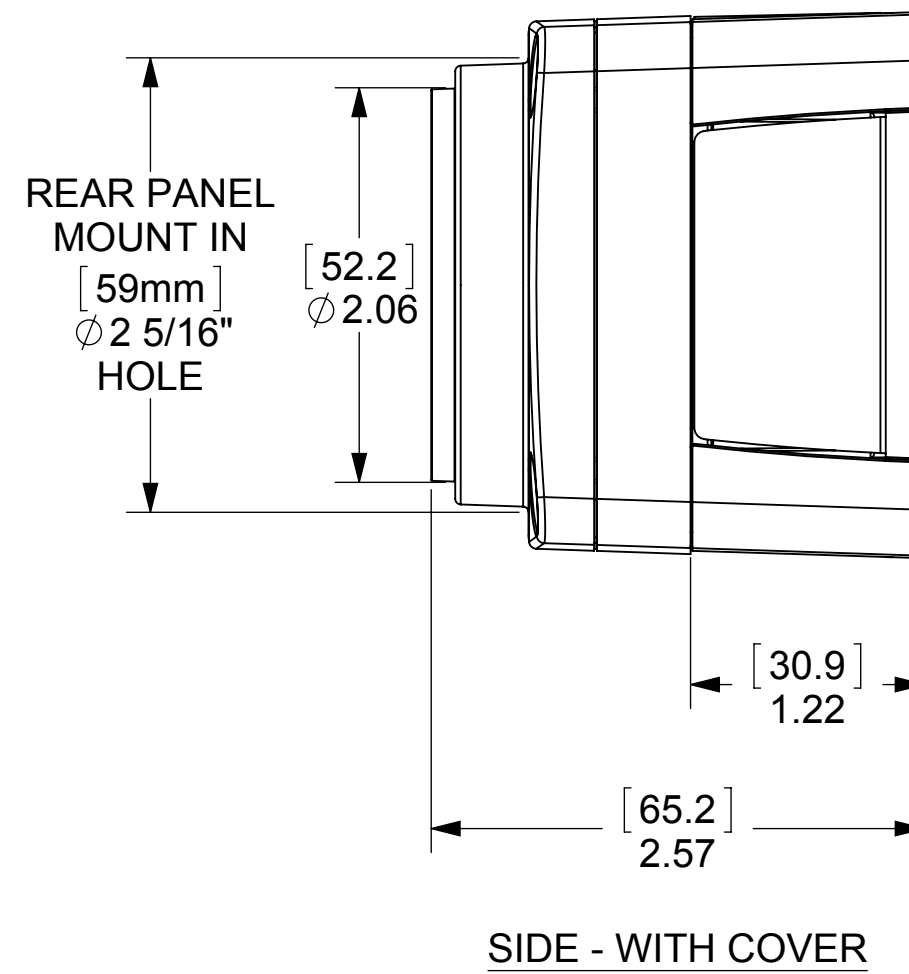
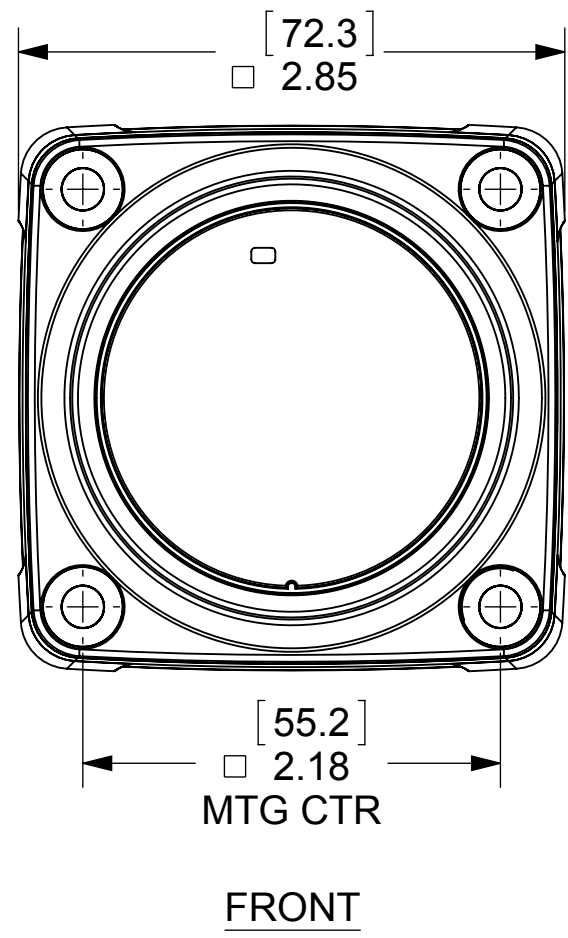
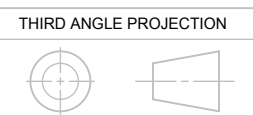
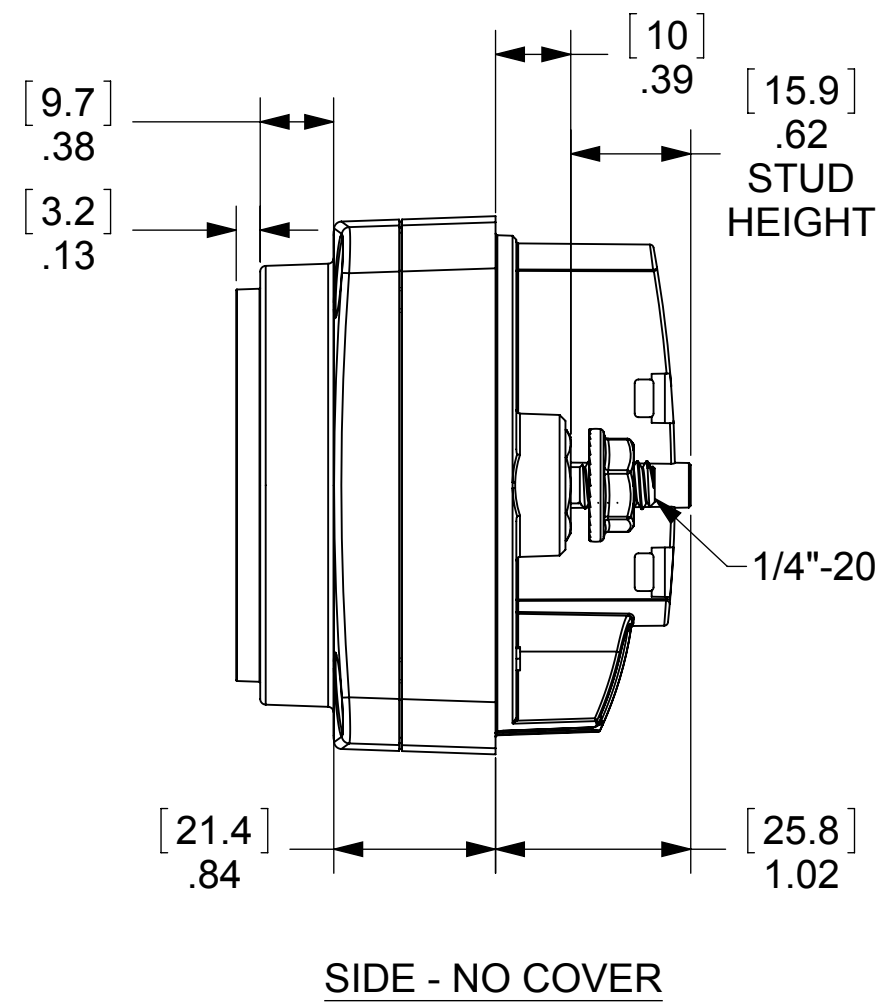


THIS DRAWING AND THE INFORMATION CONTAINED WITHIN IT ARE CONFIDENTIAL AND MAY NOT BE COPIED OR DISCLOSED WITHOUT THE WRITTEN PERMISSION OF BLUE SEA SYSTEMS.

REVISIONS				
ZONE	REV.	DESCRIPTION	DATE	APPROVED
	0	INITIAL RELEASE	2012.11.30	S. SCHANKEN
	0	ADDED NOTES ABOUT FRONT AND REAR PANEL MOUNT HOLE DIAMETERS.	2013.2.14	S. SCHANKEN



FRONT PANEL MOUNT IN $\phi 2 \frac{5}{8}$ " [67mm] HOLE WITH MAX PANEL THICKNESS $\frac{5}{16}$ " [8mm]



DIMENSIONS ARE SHOWN IN INCHES AND (MILLIMETERS). UNSPECIFIED TOLERANCES ARE:		NAME	DATE	
ANGLES	INCH	MM		
$\pm 0^{\circ}30'$.0002±.002	.002±.051	DRAWN	S. SCHANKEN
	.000±.005	.00±.127	CHECKED	
	.00±.010	0±.254		
MATERIAL	FINISH		COMMENTS:	
DO NOT SCALE DRAWING			SIZE	DWG. NO.
			C	7601
			SCALE 1:1	WEIGHT:
			SHEET 1 OF 1	

BLUE SEA SYSTEMS

7601-0 m-ACR

Part Number: 7601

REV. 0