

ML Series

REMOTE BATTERY SWITCHES

500 Amp magnetic latching switch provides high amperage switching under load from a convenient location

- Silver alloy contacts provide high reliability for switching live loads
- LED output to remotely indicate switch state - requires optional LED
- 3/8"-16 tin-plated copper studs for maximum conductivity and corrosion resistance
- One-piece stainless flange nuts ensure safe and secure connections
- Label recesses for circuit identification
- Retail package includes a Remote Control Contura Switch



9160
Paralleling Link Bus
 For paralleling ML-Remote Battery Switches and Automatic Charging Relays

- Tin-plated copper for maximum conductivity and corrosion resistance
- Sold individually

Related Products



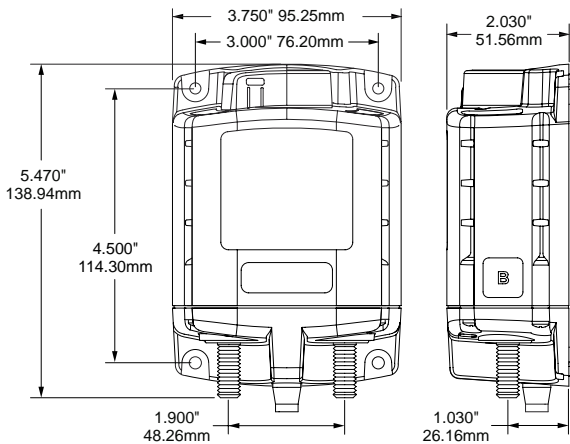
Deutsch DTM Cable End provided on bulk units. Other connector plugs are available for high volume OEM applications

Wire Harness Connections

Wire Color	7700, 7700100B 7702, 7702100B Circuit Function	7713, 7713100B 7717, 7717100B Circuit Function
Red	+V DC, 24 Hour	Control +V DC, To Close
Black	Ground	Ground
Yellow	-V DC LED Output	-V DC LED Output
Brown	+V DC, To Close	--
Orange	+V DC, To Open	--

ML Series

REMOTE BATTERY SWITCH



Regulatory

CE marked, Meets ISO 8846 and SAE J1171 external ignition protection requirements

IP66—protected against powerful water jets (see inside back cover)

PN	Cable End	Packaged
7700	Stripped Wire	Retail
7700100B	Deutsch DTM	Bulk
7702	Stripped Wire	Retail
7702100B	Deutsch DTM	Bulk
7713*	Stripped Wire	Retail
7713100B	Deutsch DTM	Bulk
7717*	Stripped Wire	Retail
7717100B	Deutsch DTM	Bulk

*7713 replaces PN7712

*7717 replaces PN7714

Remote Control Contura Switch (PN 2145, 2155)

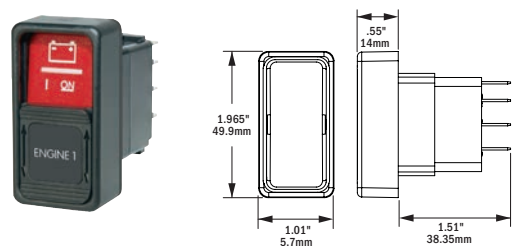
Specifications

Amperage Operating Current (LED)	18mA
Temperature Range	-40°C – 85°C
Pole/Throw	SPDT
Lighting	LED rated 100,000 hours half-life
Seals	Internal and external gasket panel seal
Mounting Hole	1.45" x 0.83" (36.83 mm x 21.08 mm)

Regulatory

Meets UL 1500 and ISO 8846 external ignition protection requirements

IP67—protected against immersion up to 1 meter for 30 minutes



Selection Chart

Choose the right Remote Battery Switch for your application

PN	7700*	7702*	7713*	7717*
Application	Battery switching from a convenient location with Multi-Station control capability and no continuous current draw		Battery switching from a convenient location with Master ON-OFF control of individually switched units	
Manual Control Override Knob	Provides an added level of safety allowing control with or without power, and offering LOCKED OFF capability for security and servicing			
Nominal Voltage	12V DC	24V DC	12V DC	24V DC
Contact Circuit Voltage	32V DC Max.	32V DC Max.	16V DC Max.	32V DC Max.
Control Wires	2 wires connect battery switch to remote switch: one to open and one to close relay		1 wire connects battery switch to remote switch	
Control Current	Positive pulsed once to change relay state		Positive continuous current to close	
Cranking Rating (10 sec.)	2,500A DC			
Cranking Rating (1 min.)	1,100A DC			
Intermittent Rating (5 min.)	700A DC			
Continuous Rating	500A DC			
Amperage Operating Current - continuous @25°C nominal VDC	0mA		< 13mA	
Amperage Operating Current - when changing state	< 7.0A DC	< 4.0A DC	< 7.0A DC	< 4.0A DC
Switching Cycles	100,000			
Coil Function	Magnetic Latching Bi-Stable		Magnetic Latching Auto-Releasing	
Control Switch Included	2145 SPDT (ON)-OFF-(ON)		2155 SPDT ON-ON	
Multi-Station Switching Capability	Yes		-	
Master Control Switch Capability	-		Yes	
Control Circuit Connection	Tinned Wire			
Mounting	#10 or M5			
Terminal Stud Size	3/8"-16 (M10)			
Terminal Stud Length	7/8" (22 mm)			
Maximum Terminal Stud Torque	140 in-lb (15.8 Nm)			
Cable Size to Meet Ratings	4/0 AWG (120 mm ²) x 2			
Terminal Ring Diameter Clearance	1.12" (28.4 mm)			

* Bulk units available that incorporate Deutsch DTM Connectors. Other connector plugs are available for high volume OEM applications.

