

## **e-Series Single Circuit ON/OFF Battery Switch with AFD\***

PN 9004e

### **Features**

- Disconnects single battery bank in emergencies, or when vessel is not in use
- For switching battery banks in applications requiring high power output, reliability, and low heat generation
- Alternator Field Disconnect (AFD) protects the diodes in the alternator in the event of the switch being switched to the OFF position while the engine is running

Tin-plated copper studs:

- 3/8"-16 (M10) provide maximum conductivity and corrosion resistance
- One-piece to reduce risk of overheating
- 7/8" (22.22mm) length to accept multiple cable terminals

Case design:

- Allows surface mounting or rear panel mounting
- Accepts up to 4/0 AWG (95mm<sup>2</sup>) battery cables

### **Specifications**

Cranking Rating: 30 sec.	1,200A
Intermittent Rating: 5 min. (UL 1107)	600A
Continuous Rating	350A
Voltage Max. Operating	48V DC
Terminal Stud, Tin-Plated Copper	3/8"-16 (M10)
Torque	140 in-lb (15.82 N·m)
Cable Size to Meet Ratings**	4/0 AWG (95mm <sup>2</sup> )
Ignition Protected	
c€ marked	

### **Agency Specifications**

- Meets all American Boat and Yacht Council (ABYC) requirements for battery switches
- UL Listed - UL 1107 for electric power switches
- Meets UL 1500 and SAE J1171 external ignition protection requirements

## **Caution**

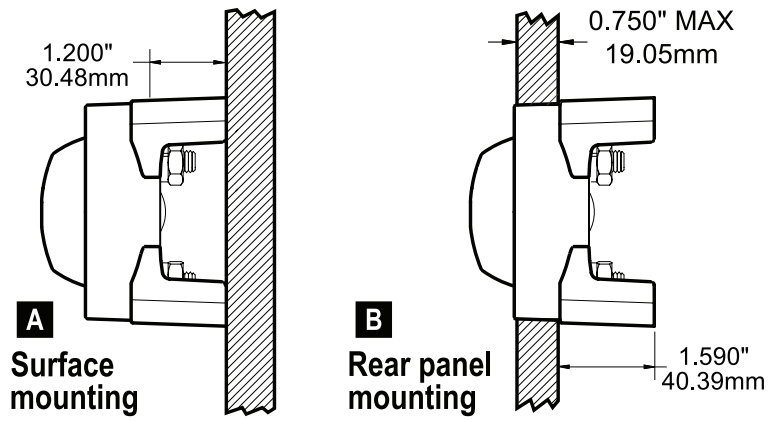
- Disconnect positive battery terminal before installing.
- Consult marine electrical professional for proper wiring application.

## **Installation**

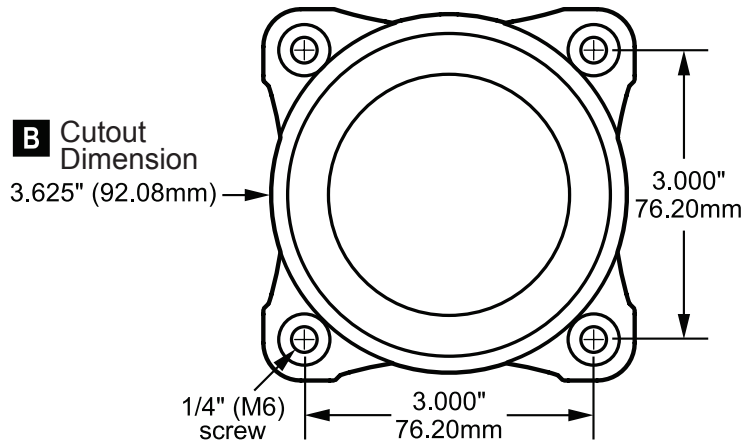
- Mount in an easily accessible location close to the batteries.
- Attach one 4/0 AWG cable per terminal to meet ratings.
- Refer to the latest edition of NFPA 302 and/or ABYC E11 Standard for installation information.
- Battery cable terminals must be attached under nut. Torque 140 in-lb (15.82 N·m).
- AFD: Cut the field wire from the alternator to the voltage regulator; connect one end to F1, and the other end to F2.

## **Operation**

- Turn all appliances off before turning the battery switch to OFF.
- Do not switch to OFF while engine is running.



**Switch Mounting Options**



**E-Series Battery Switch Dimensions**

