

ST-Blade Water-Resistant Fuse Blocks

Provides water-resistant circuit protection for ATO/ATC fuses & circuit breakers in a compact footprint

- Water-resistant IP66 when mounted and gasket in place
- Accepts standard ring or fork type terminals to allow for simple wiring with standard tools
- Accepts a wide range of wire sizes
- Integral plugs maintain water-resistant rating if less than four loads are required
- Accepts ATO, ATC and EasyID fast-acting blade fuses
- Accepts ATO/ATC-Style Low Profile Circuit Breakers
- Nests with ST-Blade Water-Resistant Fuse Block (5056 or 5056100) and Water-Resistant 100A Bus Bar (2356 or 2356100)
- Tin-plated Copper busses and fuse clips
- Includes four write-on circuit labels
- Small format standard and custom labels available
- Spare fuse and fastener storage in cover



Related Products



Water-Resistant BusBars



ATO, ATC & EasyID Fuses

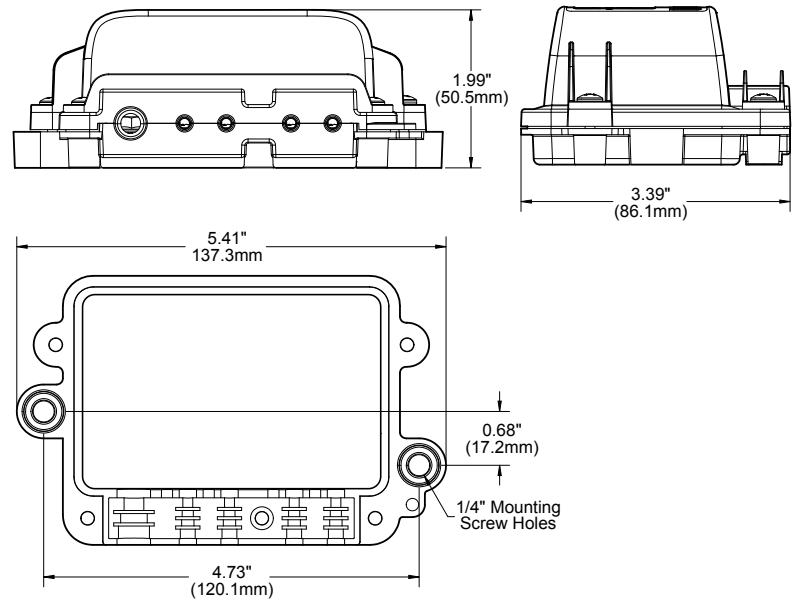


ATO/ATC
Circuit Breakers

Specs

Voltage Max. Operating	32V DC
Amperage Max. Operating	80A per block / 25A per circuit
Fuse Type	ATO or ATC fuses & circuit breakers
Input Wire Size	(1) 8 AWG to 4 AWG
Load Wire Size	(4) 16 AWG to 10 AWG
Bus Material	Tin-Plated Copper C11000
Mounting Thru-hole	Accepts 1/4" (6mm) screws
Screw Terminal	4x #8-32 Screws with captive star lock washer
Stud Terminal	1x #10-32
Regulatory	For an ABYC/USCG compliant design use (5056100) CE marked, IP66 - protected against powerful water jets

Part #	Description
5056	ST-Blade Water-Resistant Fuse Block with Screw Cover
5056100	ST-Blade Water-Resistant Fuse Block with Manual Cover



TECH TIP

ST-Blade Water-Resistant Fuse Block

The difference between our new ST-Blade Water-Resistant Fuse Blocks and Busbars are how the fuses and terminations are accessed: Part numbers 5056 / 2356 utilize #8 screws to secure the cover to the rest of the housing, requiring a screwdriver – or tool – for access, and do not meet ABYC requirements for panel boards. Part numbers 5056100 / 2356100 utilize yellow wing-screws that can be manipulated by hand, and comply to the following:

ABYC E-11.4.23 states:

Panelboard - an assembly of devices for the purpose of controlling and/or distributing power on a boat. It may include devices such as circuit breakers, fuses, switches, instruments, and indicators.

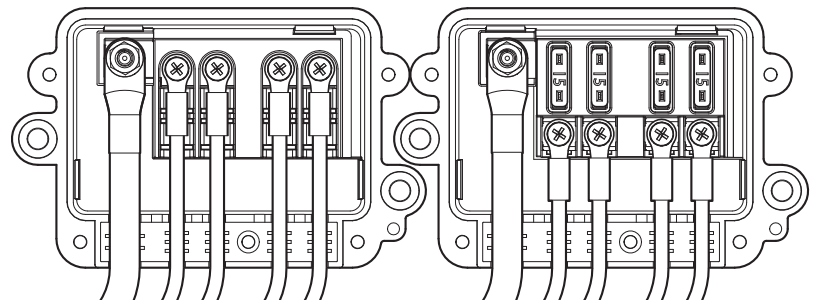
ABYC E-11.4.27 states:

Readily Accessible - capable of being reached quickly and safely for effective use under emergency conditions without the use of tools.

ABYC E-11.9.1.2 states:

A panelboard shall be installed in a readily accessible location and shall be weatherproof or be protected from weather and water splash.

The ST-Blade Water-Resistant Fuse Blocks and Busbars are rated IP66 and withstand water from heavy seas or projected in powerful jets, allowing for flexible installations anywhere on boats or vehicles.



Nested ST-Blade Water-Resistant Fuse Block 5056 and Water-Resistant - 100A BusBar 2356

Specifications subject to change. See blueseasystems.com for current information.