

# Water-Resistant 100A BusBars

Provides secure water-resistant bussing for harsh environments. The single side nesting design allows for wire entry from one side to maximise space

- Water-resistant IP66 when mounted and gasket in place
- Accepts standard ring or fork type terminals to allow for simple wiring with standard tools
- Accepts a wide range of wire sizes
- Integral plugs maintain water-resistant rating if less than four loads are required
- Nests with Water-Resistant 100A Common BusBar (2356 or 2356100) and ST-Blade Water-Resistant Fuse Block (5056 or 5056100)
- Ideal for positive distribution or for the collection of DC negative or AC grounding conductors
- Tin-plated Copper busses
- Includes four write-on circuit labels
- Small format standard and custom labels available



## Related Products

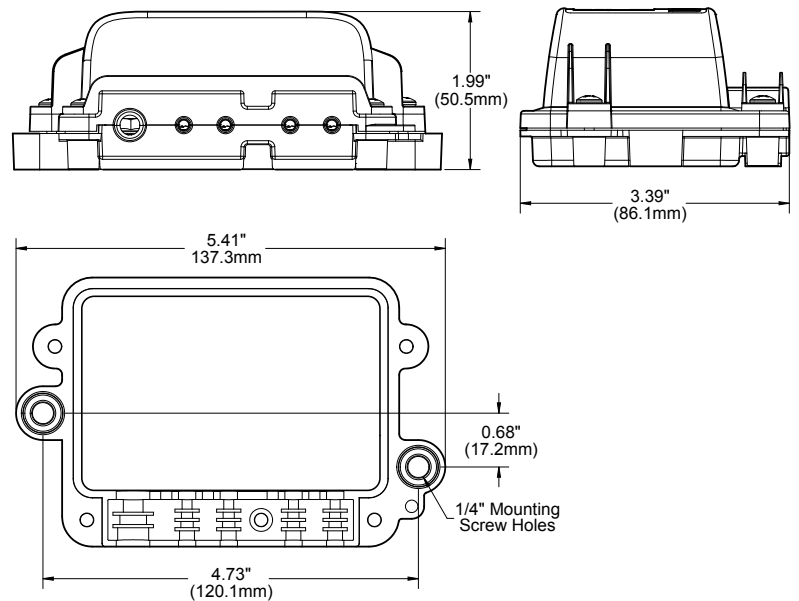


ST-Blade Water-Resistant Fuse Blocks

# Specs

Continuous Rating	100A AC / 100A DC
Voltage Max. Operating	300V AC / 48V DC
Input Wire Size	(1) 8 AWG to 4 AWG
Load Wire Size	(4) 16 AWG to 10 AWG
Mounting Holes	Accepts 1/4" (6mm) Screws
Bus Material	Tin-Plated Copper C11000
Mounting Thru-hole	Accepts 1/4" (6mm) screws
Screw Terminal	4x #8-32 Screws with captive star lock washer
Stud Terminal	1x #10-32
Regulatory	For an ABYC/USCG compliant design use (2356100) CE marked, IP66 - protected against powerful water jets

Part #	Cover	Terminal Screws	Terminal Studs
2356	Screw Cover	4 x #8-32	1 x #10-32
2356100	Manual Cover	4 x #8-32	1 x #10-32



## TECH TIP

### ST-Blade Water-Resistant 100A BusBar

The difference between our new ST-Blade Water-Resistant Busbars and Fuse Blocks are how the fuses and terminations are accessed: Part numbers 5056 / 2356 utilize #8 screws to secure the cover to the rest of the housing, requiring a screwdriver – or tool – for access, and do not meet ABYC requirements for panel boards. Part numbers 5056100 / 2356100 utilize yellow wing-screws that can be manipulated by hand, and comply to the following:

**ABYC E-11.4.23 states:**

**Panelboard - an assembly of devices for the purpose of controlling and/or distributing power on a boat. It may include devices such as circuit breakers, fuses, switches, instruments, and indicators.**

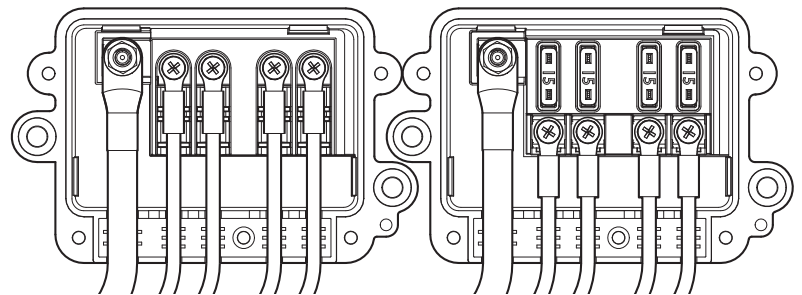
**ABYC E-11.4.27 states:**

**Readily Accessible - capable of being reached quickly and safely for effective use under emergency conditions without the use of tools.**

**ABYC E-11.9.1.2 states:**

**A panelboard shall be installed in a readily accessible location and shall be weatherproof or be protected from weather and water splash.**

The ST-Blade Water-Resistant Fuse Blocks and Busbars are rated IP66 and withstand water from heavy seas or projected in powerful jets, allowing for flexible installations anywhere on boats or vehicles.



Nested ST-Blade Water-Resistant Fuse Block 5056 and Water-Resistant -100A BusBar 2356

Specifications subject to change. See [blueseasystems.com](http://blueseasystems.com) for current information.