

ST BTM

ST BLADE BATTERY TERMINAL MOUNT FUSE BLOCK (screw terminal)

Easily add 4 fused circuits to the terminal of a battery

Provides power to new accessories in your boat or vehicle.

- Mounts on the battery terminal stud
- Screw terminals for securing wires
- Nylon insulated ring terminals included for each screw terminal
- Insulating cover meets ABYC/USCG insulation requirements
- Ignition Protected-meets ISO 8846 and SAE J1171 for use in a gasoline engine compartment
- Accepts pre-printed small format circuit identification labels
- Includes write-on labels
- Fuses sold separately (includes one 15A fuse)



5023

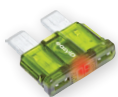


5024
ST Blade Battery Terminal Mount Fuse Block Kit
 Retail package includes:
 5023 ST Blade Battery Terminal Mount Fuse Block
 Battery Terminal Mount Negative BusBar

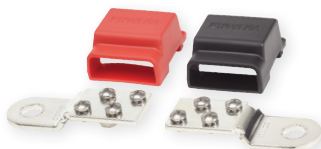
Related Products



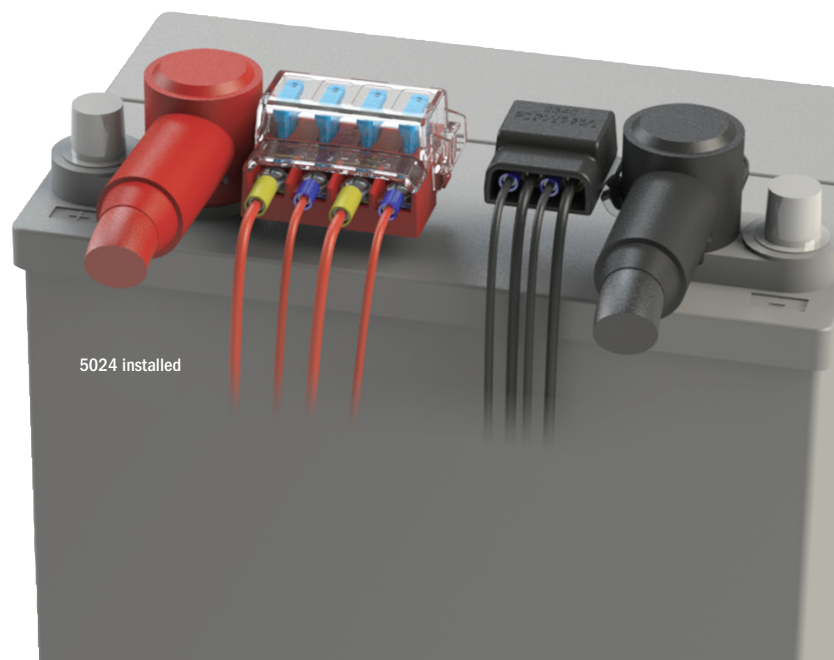
ATO or ATC Fuses



easyID ATC Fuses



2340
 Battery Terminal Mount BusBars



5024 installed

ST BTM

Battery Terminal Mount Fuse Block

Specifications

Voltage Max. Operating	32V DC
Amperage Max. Operating	30A (per circuit)
Amperage Max. Operating	100A (per block)
Fuse Type	ATO® or ATC® Fuses
Screw Terminal	#8-32 Screws with captive star lock washer
Mounting Thru-hole	Clearance for 3/8" [M10] stud

Regulatory

Meets ISO 8846 and SAE J1171 external ignition protection requirements

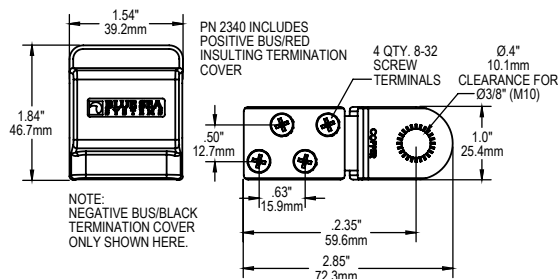
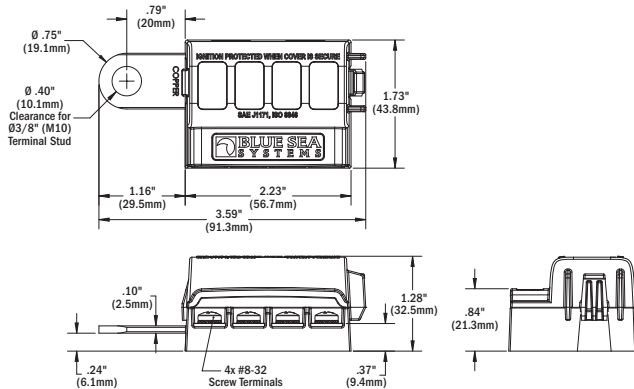
Battery Terminal Mount BusBars

Specifications

Continuous Rating	100A DC
Voltage Max. Operating	32V DC
Bus Material	Tin-Plated Copper C11000
Mounting Thru-hole	Clearance for Ø3/8" [M10] stud
Screw Terminal	#8-32 Screws with captive star lock washer

PN Description

5023	ST Blade Battery Terminal Mount Fuse Block
5024	ST Blade Battery Terminal Mount Fuse Block Kit
2340	Battery Terminal Mount Positive + Negative BusBars
2341B	Battery Terminal Mount Positive BusBar
2342B	Battery Terminal Mount Negative BusBar



Additional ST Blade Products*

Compact Fuse Blocks



5045
4 circuit w/ positive and negative bus



5046
8 circuit w/ positive and negative bus

Common Source Fuse Blocks



5028
6 circuit w/ positive bus



5025
6 circuit w/ positive and negative bus

Split Bus Fuse Block

Common and/or independent Source



5032
2 x 6 circuit w/ positive and negative bus



5029
12 circuit w/ positive bus

Independent Source Fuse Block



5035
6 circuit



5026
12 circuit w/ positive and negative bus



* All ST Blade products with covers are shown. Fuses and labels are not included.