



NEW

ST Blade

COMPACT FUSE BLOCKS

COMMON SOURCE

Provides surface mount circuit protection for ATO®/ATC® Fuses in a compact footprint

- Compact common source fuse block
- Accepts ATO® and ATC® fast acting blade fuses
- Single side design allows wire entry from one side to minimize footprint
- Ignition Protected—meets ISO 8846 and SAE J1171 for use in a gasoline engine compartment
- Insulating cover meets ABYC/USCG insulation requirements
- Tin-plated copper buses and fuse clips
- Accepts ring or snap fork type terminals
- Small format standard and custom labels available
- Includes write-on circuit labels
- Fuses sold separately



Related Products



ATO® or ATC® Fuses



easyID™ ATC® Fuses

ST BLADE

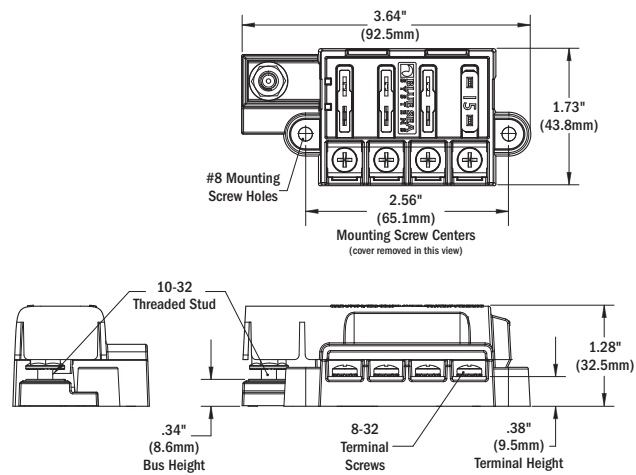
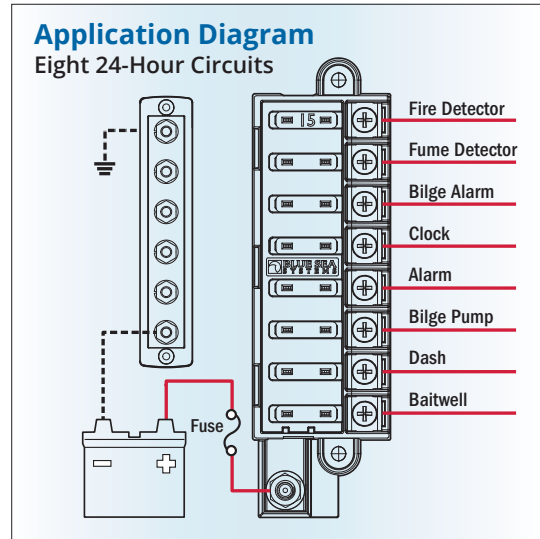
COMPACT FUSE BLOCKS

Specifications	5045/5046
Voltage Max. Operating	32V DC
Amperage Max. Operating	30A per circuit
Amperage Max. Operating	100A per block
Fuse Type	ATO [®] or ATC [®] Fuses
Screw Terminal	#8-32 Screws with captive star lock washer
Mounting	#8 Screw (M4)

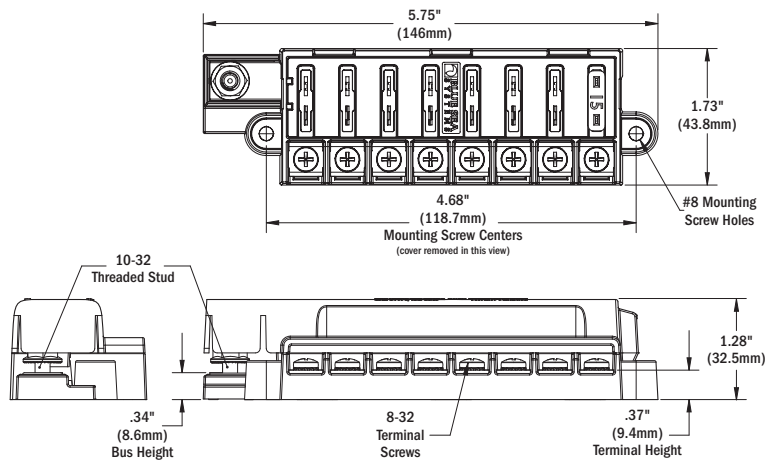
Regulatory

Ignition Protected-meets ISO 8846 and SAE J1171

PN	Circuits	Cover
5045	4	Included
5046	8	Included



5045



5046

