



BOMAR **BOWVVB**

QUALITY

PRODUCTS

FOR THE

MARINE

INDUSTRY

hatches | portlights | doors | windows

At Bomar, Quality Is An Open & Shut Case

For nearly three decades Bomar, a division of Pompanette, LLC, has designed and manufactured the finest ports, hatches, windows, and doors for the marine industry. Since the beginning, the Bomar name has been synonymous with innovative design, flawless craftsmanship, and the highest quality materials. Today, you will discover Bomar portlights and hatches specified by boat builders of the highest caliber.

While the quality of Bomar products is tangible, Bomar is also the right choice for two less obvious reasons: the quality of our service and our unrivaled commitment to our customers. We make it our business to develop solutions for our customer needs, no matter how complex or challenging. Our comprehensive manufacturing capabilities enable us to provide custom solutions for boat builders. And as the manufacturer of the world's most complete line of ports and hatches, Bomar is clearly the leader in a competitive industry where details make all the difference.

Content

HATCHES

1. 100 Series Cast
2. 190 Series Cast
3. CRX
- 4-5. Low Profile Extruded
6. Low Profile Extruded Cont'd. & Custom
7. High Profile Extruded
8. Sea Breeze Offshore & Cruising
9. SS Voyager Low Profile
10. SS Voyager Mid Profile
11. 900 Series Molded

TRIM & SCREEN SYSTEMS

12. SeaBreeze Shade Screen System
13. Trim & Screens

PORTLIGHTS

15. 2000 Series Extruded
16. 6000 Series
- 18-19. SS Flagship Series
- 20-21. SS Premier Series
22. Passage Series and Hood Traditional
23. SS Classic Series
24. Molded Flagship Series
25. Gray Series

ACCESS HATCHES & DECK PLATES

26. Access Hatches
27. Inspection Hatches & Deck Plates

WINDOWS & DOORS

34. Commercial Watertight Hatches
35. Commercial Inspection Hatches & Deck Plates
36. Spare Parts - Hatches



BOMAR
BOMAR



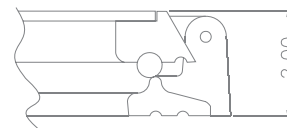
100 Series

Part No.	Hole Cut Out	O.D. of Deck Flange	O.D. of Lid	Number of Dogs	Spigot Length	Cut Out Radius	O.D. Radius	Weight Lbs.	Dbl. Opening/Lazarette Opt.	In/Out Option	Trim Ring	Extruded Screen
130	10" x 10" 253mm x 253mm	12 ³ / ₈ " x 12 ³ / ₈ " 305mm x 305mm	12 ³ / ₈ " x 12 ³ / ₈ " 305mm x 305mm	1	1"	3/4"	2"	7	N/A	N/A	CT130	CS130-EX
170	16 ¹ / ₂ " x 16 ¹ / ₂ " 420mm x 420mm	19" x 19" 485mm x 485mm	18 ¹ / ₂ " x 18 ¹ / ₂ " 470mm x 470mm	2	1"	1 ¹ / ₁₆ "	2 ¹ / ₄ "	16	Yes	N/A	CT170	CS170-EX
180	18 ³ / ₄ " x 18 ³ / ₄ " 480mm x 480mm	21" x 21" 534mm x 534mm	20 ³ / ₈ " x 20 ³ / ₈ " 524mm x 524mm	2	1 ¹ / ₄ "	1 ³ / ₈ "	2 ⁵ / ₈ "	20	Yes	N/A	CT180	CS180-EX
155	20 ¹ / ₈ " x 20 ¹ / ₈ " 502mm x 511mm	22 ³ / ₈ " x 22 ³ / ₈ " 570mm x 570mm	22" x 22" 559mm x 559mm	2	1"	1 ¹ / ₂ "	2 ¹ / ₄ "	23	Yes	N/A	CT155	CS155-EX
173	24 ³ / ₄ " x 24 ³ / ₄ " 630mm x 630mm	27" x 27" 685mm x 685mm	27" x 27" 685mm x 685mm	4	1"	1 ¹ / ₄ "	2 ¹ / ₄ "	33	Yes	Yes	N/A	N/A
239	20 ³ / ₈ " 518mm	22 ⁷ / ₈ " 581mm	23 ³ / ₈ " 594mm	2	1 ¹ / ₂ "	10 ³ / ₁₆ "	11 ⁷ / ₁₆ "	25	N/A	Yes	NT1139	NS1139-EX

NOTE: Quick Dogs standard on 173 and 239 hatches. When ordering trim ring specify black or off-white. Black is standard.

Part No.	Hole Cut Out	O.D. of Deck Flange	O.D. of Lid	Number of Dogs	Cut Out Radius	O.D. Radius	Weight Lbs.	Dbl. Opening/Lazarette Option	Inside/Outside Option
139 SMALL	12 ⁷ / ₁₆ " x 17 ¹ / ₂ " 320mm x 445mm	15 ¹ / ₂ " x 20 ¹ / ₂ " 395mm x 520mm	15" x 20" 381mm x 508mm	2	1 ¹ / ₈ "	2 ¹ / ₂ "	13	Yes	N/A
139 MED	19 ⁷ / ₁₆ " x 19 ⁷ / ₁₆ " 494mm x 494mm	22 ³ / ₈ " x 22 ³ / ₈ " 570mm x 570mm	22" x 22" 558mm x 558mm	2	3/4"	2 ¹ / ₄ "	20	Yes	Yes
139 LARGE	24" x 24" 610mm x 610mm	27 ¹ / ₈ " x 27 ¹ / ₈ " 690mm x 690mm	27 ¹ / ₈ " x 27 ¹ / ₈ " 689mm x 689mm	4	1 ¹ / ₁₆ "	2 ⁹ / ₁₆ "	27	Yes	Yes
140	14 ⁷ / ₁₆ " x 17 ⁵ / ₈ " 367mm x 448mm	17 ⁵ / ₈ " x 20 ¹ / ₄ " 448mm x 527mm	16 ¹³ / ₁₆ " x 19 ¹⁵ / ₁₆ " 427mm x 506mm	2	2 ¹ / ₄ "	3 ³ / ₄ "	13	N/A	N/A
160	31 ¹ / ₈ " x 31 ¹ / ₈ " 791mm x 791mm	34 ¹ / ₈ " x 34 ¹ / ₈ " 867mm x 867mm	33 ¹ / ₄ " x 33 ¹ / ₄ " 845mm x 845mm	4	1 ¹ / ₈ "	2 ¹ / ₄ "	36	Yes	Yes
150 CURVED	19 ⁷ / ₁₆ " x 19 ⁷ / ₁₆ " 495mm x 495mm	23" x 23" 585mm x 585mm	22" x 22" 559mm x 559mm	2	7/8"	2 ⁹ / ₁₆ "	22	Yes	N/A

NOTE: 150 hatch has 1/4" curve in base to fit crown of the deck. Quick Dogs standard on 160 and 140 hatches. Q.D. optional for extra cost on 139 Medium and 139 Large. Trim rings and screen are NOT available for above.

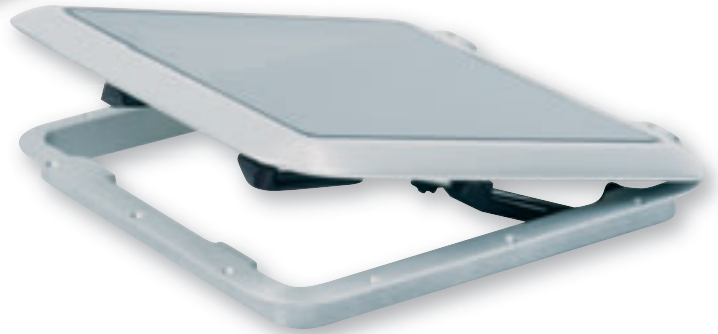
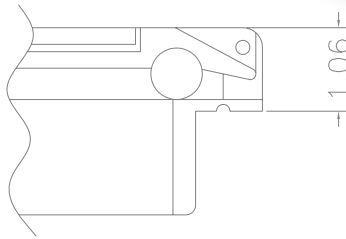


CAST HATCH

features

- « Tinted Lexan.
- « Cast aluminum Almag-35.
- « Support bars under lens.
- « Standard in black finish.
- « Option of white finish.
- « Double Opening/Lazarette or Inside/Outside opening available on some models.
- « Aluminum and stainless steel hardware.
- « CE approval available. Please specify when ordering.

190 Series



190 Series

Part No.	Hole Cut Out	O.D. of Deck Flange	O.D. of Lid	Spigot Length	Weight Lbs.	Cut Out Radius	Trim Ring	Extruded Screen
188	10" x 10" 254mm x 254mm	11 1/2" x 11 1/4" 280mm x 293mm	11 15/16" x 12" 303mm x 305mm	1 1/4"	10	3/4"	CT188	CS188
189	16 1/2" x 16 1/2" 420mm x 420mm	18 3/8" x 18 3/8" 453mm x 459mm	18 7/16" x 18 1/2" 468mm x 470mm	1 1/4"	18	1 1/8"	CT189	CS189
190	22 3/16" x 22 3/16" 564mm x 564mm	24 3/8" x 24 3/8" 625mm x 625mm	25 7/8" x 25 7/8" 657mm x 657mm	1 1/2"	27	2 3/8"	CT190	CS190
191	13 3/8" x 13 3/8" 333mm x 333mm	15" x 15" 381mm x 381mm	15 3/8" x 15 3/8" 390mm x 390mm	1 1/4"	14	1 1/8"	CT191	CS191
192	24" x 28" 610mm x 710mm	27" x 30 1/4" 685mm x 780mm	28" x 32" 711mm x 813mm	1 1/2"	30	2 3/4"	N/A	N/A
193	20" x 20" 510mm x 510mm	22 1/2" x 22 1/2" 572mm x 572mm	23" x 23" 584mm x 584mm	1 1/2"	25	2 3/4"	CT193	NS193

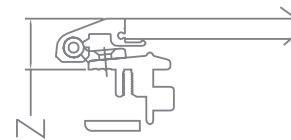
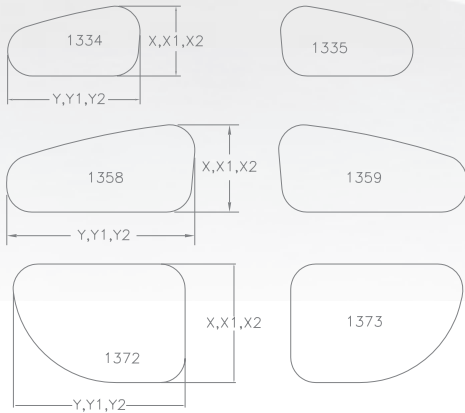
NOTE: 192 is hinged on 24" side and is available in black, white, or silver powder coat only. When ordering trim ring specify black or off-white. Black is standard .

CAST HATCH features

- « Polished & anodized (except 192).
- « Traditional low profile.
- « Cast aluminum Almag-35.
- « Acrylic lens.
- « Quick action dogs.
- « Overall Height is approximately 1".
- « CE approval available. Please specify when ordering.



BOMAR
BOWVB



**CRX
S
E
R
I
E
S**

CRX Series

Hatch No.	Height Off Deck		Outside of Lid			Cutout		Opening	
	Z	X	Y	X1	Y1	X2	Y2		
	in	mm	in	mm	in	mm	in	mm	
N1311	1 5/8 (24)	12 1/8 (322)	12 1/8 (322)	10 1/2 (267)	10 1/2 (267)	8 (213)	8 (213)		
N1314	1 3/8 (24)	16 3/8 (411)	16 3/8 (411)	14 (356)	14 (356)	11 1/8 (302)	11 1/8 (302)		
N1318	1 3/8 (24)	19 3/8 (491)	19 3/8 (491)	17 (435)	17 (435)	15 (381)	15 (381)		
N1322	1 3/8 (24)	23 3/8 (605)	23 3/8 (605)	21 (549)	21 (549)	19 (495)	19 (495)		

Spigot length= 1" Cut out Radius = 2 3/8"

Available in several sizes and shapes, our CRX Series hatch features an innovative system with no screws and no visible fasteners showing on deck. Utilizing a clamp ring that is secured into its channeled extruded base, the CRX eliminates the possibility for corrosion and leaks through screw holes in the deck, because it is clamped from inside the cabin. It comes in an attractive powder coat or anodized finish, and smoke or white acrylic.

CRX HATCH

- « Standard in clear anodized finish. **features**
- « Smoke acrylic lens.
- « CE approval available.
Please specify when ordering.

- OPTIONS**
- « Inside/Outside opening.
- « Powder coating.
- « White acrylic.





features

- « Anodized heavy-duty aluminum frames.
- « Heavy-duty acrylic lens.
- « No sharp corners to snag lines or sails.
- « Spare parts available.
- « CE approval available. Please specify when ordering.
- « Heavy-duty hinges.
- « Quick acting, adjustable tie-down dogs.
- « Molded trim ring, sewn screen available on select sizes.
- « Locked vent position.
- « SS riser arm rod.

OPTIONS:

- « Inside/Outside opening.
- « Powder coating.
- « White acrylic lens.

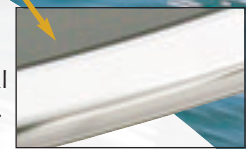
LOW PROFILE EXTRUDED HATCHES

Bomar low profile hatches are the standard for the majority of quality boat builders throughout the world. The reason? These stylish, high-performance hatches combine sleek design with unsurpassed functionality. Constructed for rugged durability, they feature a heavy-duty aluminum frame and a high-impact acrylic lens. Design features include quick-acting tie-down dogs, trim ring and screen, lockable vent position, and the option of a shade screen and/or privacy shade on some models. Best of all, these low profile hatches are available in the largest selection of shapes and sizes of any hatch line on the market, from traditional deck hatches to larger fly bridge access doors. And you can specify these hatches in a variety of finishes, including anodized, powder coated, and polished aluminum.





Shown with optional high polished finish.



A&P Series

ROUND HATCH SIZES

HATCH #	Height Deck to Lid		Hatch Opening		Cutout		OD Deck Flange		OD Lid	'A' Style	OD Lid 'P' Style	
	in	mm	in	mm	in	mm	in	mm	in	mm	in	mm
1115	1 5/16"	24	10 13/16"	278	12 1/8"	306	13 1/16"	348	14 3/8"	365	14 11/16	373
1139	1 5/16"	24	19 5/16"	487	20 5/16"	516	21 15/16"	557	22 1/8"	573	22 7/8	581
1149	1 5/16"	24	24	610	25 1/8"	638	26 3/4"	679	~	~	27 3/4	705
1170	1 5/16"	24	15 1/8"	392	16 1/8"	421	18 1/8"	462	19 1/8"	484	19 1/8	486

Hatch Number	Height Deck To Lid		Hatch Opening			Cut Out		O.D. Deck Flange		O.D. Lid Style A		O.D. Lid Style C		O.D. Lid Style P														
	Z		X	Y		X1	Y1	X2	Y2	X3	Y3	X4	Y4	X5	Y5													
	in	mm	in	mm	in	mm	in	mm	in	mm	in	mm	in	mm	in	mm												
1000	1 5/16"	(24)	9 5/8"	(244)	9 5/8"	(244)	10 3/4"	(273)	10 3/4"	(273)	12 3/8"	(314)	12 3/8"	(314)	13 3/8"	(335)	13 3/8"	(335)	13 3/8"	(341)	13 3/8"	(341)						
1002	1 5/16"	(24)	6 7/8"	(175)	6 7/8"	(175)	8"	(203)	8"	(203)	9 5/8"	(244)	9 5/8"	(244)	10 1/8"	(265)	10 1/8"	(265)	-	-	-	-						
1003	1 5/16"	(24)	8 1/8"	(244)	8 13/16"	(244)	9 1/8"	(252)	9 1/8"	(252)	11 1/8"	(294)	11 1/8"	(294)	12 3/8"	(314)	12 3/8"	(314)	-	-	-	-						
1005	1 5/16"	(24)	9 1/8"	(232)	9 1/8"	(232)	10 1/8"	(260)	10 1/8"	(260)	11 1/8"	(302)	11 1/8"	(302)	12 1/8"	(325)	12 1/8"	(325)	-	-	-	-						
1006	1 5/16"	(24)	8 1/8"	(205)	6"	(152)	9 1/8"	(233)	7 1/8"	(161)	10 1/8"	(275)	8 3/4"	(222)	-	-	-	-	-	-	-	-						
1008	1 5/16"	(24)	15 1/8"	(392)	5 13/16"	(148)	16 1/8"	(421)	6 13/16"	(176)	18 1/8"	(462)	8 3/8"	(217)	-	-	-	-	-	-	-	-						
1011	1 5/16"	(24)	13 3/4"	(337)	8"	(203)	14 3/8"	(365)	9 3/8"	(232)	16"	(406)	10 3/4"	(273)	16 13/16"	(427)	11 1/8"	(294)	17 1/8"	(433)	11 3/4"	(298)	17 1/8"	(433)	11 3/4"	(300)		
1015	1 5/16"	(24)	10 7/8"	(276)	10 7/8"	(276)	12"	(305)	12"	(305)	13 3/8"	(346)	13 3/8"	(346)	14 7/8"	(367)	14 7/8"	(367)	14 3/8"	(371)	14 3/8"	(371)	14 13/16"	(373)	14 13/16"	(373)		
1017	1 5/16"	(24)	21 1/8"	(537)	22 1/8"	(560)	22 1/4"	(565)	23 3/8"	(589)	23 3/4"	(606)	24 13/16"	(630)	-	-	-	-	-	-	-	-	-	-	-	-	-	
1019	1 5/16"	(24)	18 13/16"	(478)	14 3/8"	(364)	19 13/16"	(506)	15 1/2"	(392)	21 1/8"	(548)	17 1/8"	(433)	-	-	-	-	22 3/8"	(575)	18 3/8"	(461)	22 3/4"	(578)	18 3/4"	(464)		
1022	1 5/16"	(24)	21"	(533)	21"	(533)	22 1/2"	(562)	22 1/2"	(562)	23 3/4"	(603)	23 3/4"	(603)	24 3/8"	(624)	24 3/8"	(624)	-	-	-	-	-	-	-	-	-	
1023	1 5/16"	(24)	22 1/8"	(560)	17 3/8"	(437)	23 3/8"	(589)	18 3/8"	(465)	24 1/8"	(630)	19 1/8"	(506)	25 1/8"	(651)	20 3/4"	(527)	25 1/16"	(652)	20 3/8"	(529)	-	-	-	-	-	
1027	1 5/16"	(24)	17 1/8"	(433)	12 1/8"	(306)	16 3/8"	(462)	13 3/8"	(335)	19 1/8"	(503)	14 13/16"	(503)	20 3/8"	(524)	15 3/8"	(397)	20 3/8"	(530)	15 3/4"	(403)	-	-	-	-	-	
1028	1 5/16"	(24)	16 13/16"	(424)	11 3/8"	(294)	17 13/16"	(452)	12 1/8"	(322)	19 1/8"	(494)	14 3/8"	(364)	-	-	-	-	-	-	-	-	-	-	-	-	-	
1029	1 5/16"	(24)	17 3/8"	(441)	12 1/4"	(311)	18 1/2"	(470)	13 3/8"	(340)	20 1/8"	(511)	15"	(381)	20 1/8"	(532)	15 3/8"	(402)	21 3/8"	(538)	16 1/8"	(408)	21 3/8"	(538)	16 1/8"	(408)		
1039	1 5/16"	(24)	19 1/8"	(484)	19 1/8"	(484)	20 3/8"	(513)	20 3/8"	(513)	21 13/16"	(554)	21 13/16"	(554)	22 3/8"	(575)	22 3/8"	(575)	22 3/8"	(581)	22 3/8"	(581)	22 3/8"	(581)	22 3/8"	(581)	22 3/8"	(581)
1040	1 5/16"	(24)	19 3/8"	(491)	14 3/4"	(362)	20 3/8"	(519)	15 3/8"	(391)	22 1/8"	(560)	17"	(432)	22 1/8"	(581)	17 13/16"	(452)	22 1/8"	(583)	17 3/8"	(454)	23 1/8"	(587)	18 1/8"	(459)		
1047	1 5/16"	(24)	27 3/8"	(695)	26 3/8"	(665)	26 3/4"	(724)	27 3/8"	(694)	30 1/8"	(765)	29"	(735)	-	-	-	-	31"	(787)	30"	(762)	-	-	-	-	-	
1048	1 5/16"	(24)	23 1/2"	(597)	23 1/2"	(597)	24 3/8"	(625)	24 3/8"	(625)	26 1/4"	(667)	26 1/4"	(667)	-	-	-	-	27 3/8"	(694)	27 3/8"	(694)	27 3/8"	(694)	27 3/8"	(694)	27 3/8"	(694)
1049	1 5/16"	(24)	24"	(610)	24"	(610)	25 1/8"	(638)	25 1/8"	(638)	26 3/4"	(679)	26 3/4"	(679)	27 3/8"	(702)	27 3/8"	(702)	27 1/8"	(706)	27 1/8"	(706)	27 1/8"	(706)	27 1/8"	(706)	27 1/8"	(706)

LOW PROFILE A&P SERIES SIZES

- « Cut Out Radius is 1 11/16" (43 mm) on all square and rectangular hatches.
- « CE approval available. Please specify when ordering.

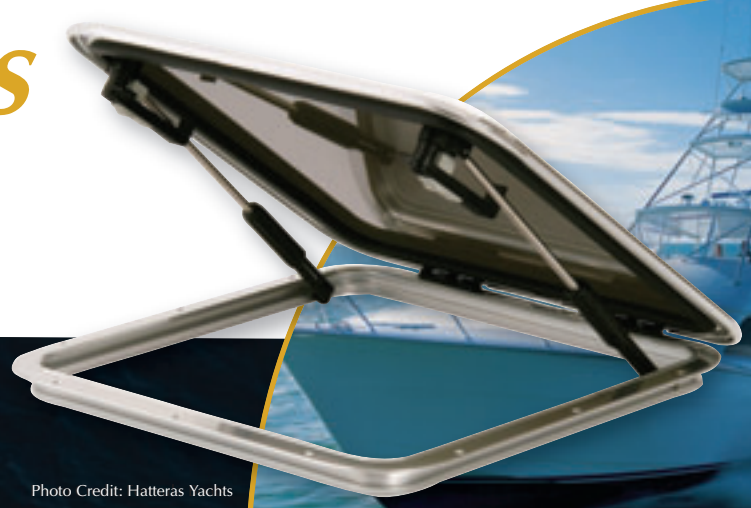
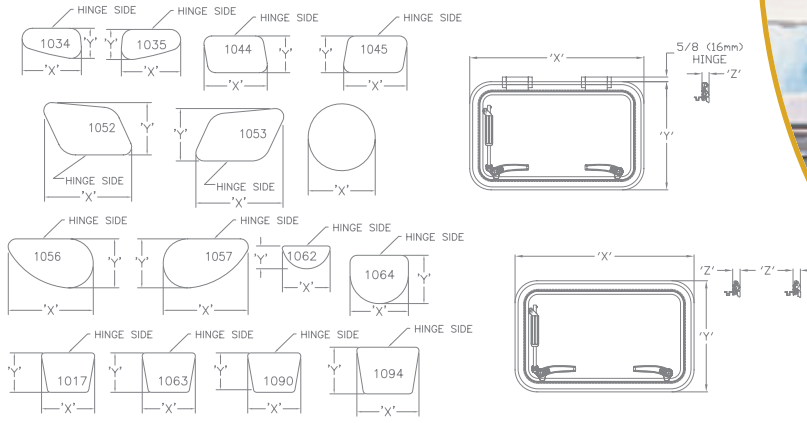


Photo Credit: Hatteras Yachts

CUSTOM Hatchches

Low Profile &

LOW PROFILE A&P SERIES SIZES continued

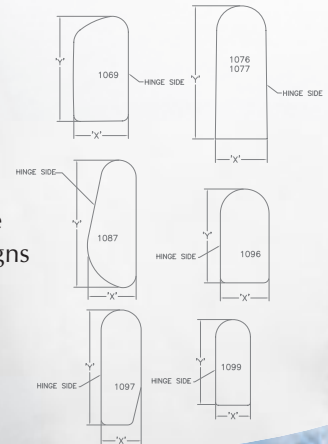


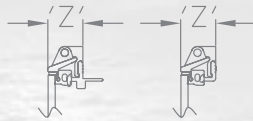
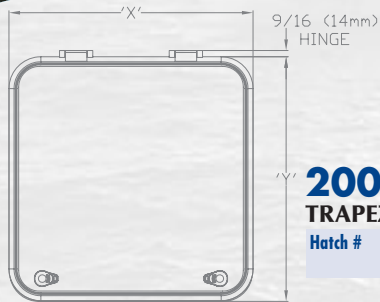
Hatch Number	Height Deck To Lid	Hatch Opening		Cut Out		O.D. Deck Flange		O.D. Lid Style A		O.D. Lid Style C		O.D. Lid Style P	
	Z in mm	X in mm	Y in mm	X1 in mm	Y1 in mm	X2 in mm	Y2 in mm	X3 in mm	Y3 in mm	X4 in mm	Y4 in mm	X4 in mm	Y4 in mm
1060	1 5/8" (24)	13" (300)	13" (300)	14 1/4" (359)	14 1/4" (359)	15 3/4" (400)	15 3/4" (400)	16 5/8" (421)	16 5/8" (421)	-	-	16 3/8" (427)	16 3/8" (427)
1061	1 5/8" (24)	43 1/8" (1110)	16 1/8" (424)	44 3/8" (1138)	17 3/8" (452)	46 1/8" (1180)	19 1/8" (494)	-	-	47 3/8" (1207)	20 1/2" (521)	-	-
1062	1 5/8" (24)	19 3/8" (487)	8 5/8" (227)	20 5/8" (516)	1 1/8" (256)	21 3/8" (557)	11 1/8" (297)	-	-	22 3/8" (578)	12 1/8" (327)	-	-
1063	1 5/8" (24)	35 5/8" (906)	19 5/8" (505)	36 3/8" (934)	21" (533)	33 3/8" (976)	22 3/8" (575)	-	-	38 3/8" (990)	23 3/8" (594)	-	-
1064	1 5/8" (24)	19 3/4" (502)	15 3/4" (400)	20 3/4" (630)	16 3/8" (429)	22 1/2" (572)	18 1/8" (470)	23 3/4" (591)	19 1/4" (490)	-	-	-	-
1065	1 5/8" (24)	12 1/2" (308)	12 1/2" (308)	13 1/4" (337)	13 1/4" (337)	14 1/8" (378)	14 1/8" (378)	15 1/8" (398)	15 1/8" (398)	-	-	-	-
1070	1 5/8" (24)	15 5/8" (392)	15 5/8" (392)	16 5/8" (421)	16 5/8" (421)	18 5/8" (462)	18 5/8" (462)	19" (483)	19" (483)	19 5/8" (490)	19 5/8" (490)	19 1/4" (489)	19 1/4" (489)
1075	1 5/8" (24)	15 5/8" (403)	15 5/8" (403)	17" (432)	17" (432)	18 5/8" (473)	18 5/8" (473)	19 1/2" (495)	19 1/2" (495)	-	-	19 1/8" (500)	19 1/8" (500)
1080	1 5/8" (24)	17 3/8" (441)	17 3/8" (441)	18 1/2" (470)	18 1/2" (470)	20 3/8" (511)	20 3/8" (511)	20 5/8" (532)	19 5/8" (506)	21 3/8" (538)	21 3/8" (538)	21 3/8" (538)	21 3/8" (538)
1086	1 5/8" (24)	18 3/8" (481)	18 3/8" (481)	20 5/8" (510)	20 5/8" (510)	21 1/8" (551)	21 1/8" (551)	-	-	22 1/8" (576)	22 1/8" (576)	22 3/8" (578)	22 3/8" (578)
1087	1 5/8" (24)	16 1/4" (413)	67 3/8" (1725)	17 3/8" (442)	69 5/8" (1753)	19" (483)	70 1/8" (1795)	-	-	31 3/8" (803)	71 3/8" (1822)	-	-
1090	1 5/8" (24)	20 1/4" (530)	15 1/2" (394)	22" (559)	16 5/8" (422)	23 3/8" (600)	19 3/8" (464)	24 5/8" (618)	19 3/8" (484)	24 1/2" (622)	19 1/4" (490)	24 1/2" (622)	19 1/4" (489)
1094	1 5/8" (24)	24 1/4" (616)	18 1/4" (460)	25 3/8" (645)	19 1/4" (489)	27" (686)	20 7/8" (530)	27 3/8" (702)	21 1/8" (551)	-	-	28 1/8" (713)	21 3/8" (557)
1096	1 5/8" (24)	24 3/8" (614)	50 3/8" (1275)	25 3/8" (643)	51 3/8" (1303)	26 3/8" (6843)	52 3/8" (1345)	-	-	28" (711)	54" (1372)	-	-

CUSTOM HATCH

From flybridge access, to hard top hatches, Bomar has the custom solutions to meet the needs and individual designs of all boat builders.

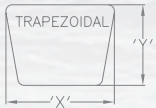
Custom Hatches are for OEM customers only.





2000 Series TRAPEZOIDAL SIZES

Hatch #	Height Deck to Lid	Outside Diameter of Lid			Outside Diameter Deck Flange		Cutout		Hatch Opening		Weight
		Z	X	Y	X1	Y1	X2	Y2	X3	Y3	
2090-10A	1 3/4" (44)	18 3/8" (467)	23 1/8" (602)	23 3/8" (600)	18 1/2" (460)	16 1/2" (419)	22" (559)	15 3/8" (391)	20 7/8" (530)	14	
2091-10A	1 3/4" (44)	18 3/8" (478)	18 1/8" (475)	18 3/4" (476)	17 3/8" (454)	17 3/8" (435)	16 1/2" (413)	16"	15 3/8" (384)	16	
2092-10A	1 3/4" (44)	23 3/8" (579)	21 3/8" (541)	22 3/4" (578)	21 3/8" (538)	21 1/8" (537)	19 3/8" (497)	20"	18 3/8" (468)	16	
2093-10A	1 3/4" (44)	20 3/4" (527)	18 3/8" (471)	20 3/8" (524)	18 1/8" (468)	19" (483)	16 3/8" (427)	17 3/8" (454)	15 1/8" (398)	17	



Hatch No.	Height Deck to Lid	Hatch Opening	Hole Cut Out	O.D. of Deck Flange	O.D. of Lid	Weight Lbs.	Trim Ring Screen	Extruded	Molded Trim Ring	Sewn Screen
2000-10A	1 3/4" (44mm)	9 5/8" x 9 5/8" (244mm x 244mm)	10 3/4" x 10 3/4" (273mm x 273mm)	12 3/8" x 12 3/8" (314mm x 314mm)	12 1/2" x 12 1/2" (318mm x 318mm)	7	NT2000	NS 2000-EX	NT 7000-OFF-W	NS 7000-BK
2005-A	1 3/4" (44mm)	9 3/8" x 9 3/8" (249mm x 249mm)	10 1/2" x 10 1/2" (256mm x 256mm)	11 3/8" x 11 3/8" (303mm x 303mm)	12 1/4" x 12 1/4" (306mm x 306mm)	7	N/A	N/A	N/A	N/A
2011-10A	1 3/4" (44mm)	13 3/8" x 8" (203mm x 337mm)	14 3/8" x 9 1/2" (365mm x 232mm)	16" x 10 3/4" (406mm x 273mm)	16 1/8" x 10 1/8" (410mm x 276mm)	7	NT2011	NS 2011-EX	NT 7011-OFF-W	NS 7011-BK
2018-A	1 3/4" (44mm)	15 7/8" x 7 7/8" (403mm x 194mm)	16 1/8" x 7 7/8" (410mm x 200mm)	18" x 9 3/4" (457mm x 248mm)	20 1/8" x 11 3/8" (511mm x 302mm)					
2028-A	1 3/4" (44mm)	17 1/4" x 12 1/2" (438mm x 310mm)	17 1/2" x 12 1/2" (445mm x 316mm)	19 3/8" x 14 3/8" (492mm x 364mm)	19 1/2" x 14 1/2" (495mm x 367mm)					
2028-10A	1 3/4" (44mm)	16 3/8" x 11 3/8" (421mm x 295mm)	17 1/4" x 12 3/4" (449mm x 324mm)	19 1/8" x 14 3/8" (491mm x 365mm)	19 1/2" x 14 1/2" (495mm x 367mm)					
2029-10A	1 3/4" (44mm)	12 1/4" x 17 3/8" (311mm x 441mm)	13 3/8" x 18 1/8" (338mm x 468mm)	15" x 20 1/8" (381mm x 511mm)	15 1/4" x 20 1/8" (389mm x 519mm)	13	NT2029	NS 2029-EX	NT 2029-OW-G-1	NS 7029-BK
2039-10A	1 3/4" (44mm)	19 1/8" x 19 1/8" (486mm x 486mm)	20 1/4" x 20 1/4" (514mm x 514mm)	21 1/8" x 21 1/8" (556mm x 556mm)	22" x 22" (559mm x 559mm)	13	NT2039	NS 2039-EX	NT 7039-OFF-W	NS 7039-BK
2040HS-10A	1 3/4" (44mm)	14 1/4" x 19 1/8" (362mm x 491mm)	15 3/8" x 20 1/8" (391mm x 519mm)	17" x 22 1/8" (432mm x 560mm)	17 1/8" x 22 1/8" (435mm x 564mm)	15	NT2040	NS 2040-EX	N/A	N/A
2040HL-10A	1 3/4" (44mm)	19 3/8" x 14 1/4" (491mm x 362mm)	20 1/8" x 15 3/8" (519mm x 391mm)	22 1/8" x 17" (560mm x 432mm)	22 3/8" x 17 1/8" (564mm x 435mm)	15	NT2040	NS 2040-EX	N/A	N/A
2046-10A	1 3/4" (44mm)	14 3/8" x 29 3/8" (371mm x 752mm)	15 3/8" x 30 3/8" (400mm x 781mm)	17 3/8" x 32 3/8" (441mm x 822mm)	17 1/2" x 32 1/2" (445mm x 826mm)	18	NT2046	NS 2046-EX		
2048-A	1 3/4" (44mm)	24 1/8" x 24 1/8" (613mm x 613mm)	24 3/8" x 24 3/8" (619mm x 619mm)	26 1/4" x 26 1/4" (667mm x 667mm)	26 3/8" x 26 3/8" (670mm x 670mm)	18			N/A	N/A
2049-10AX	1 3/4" (44mm)	24" x 24" (610mm x 610mm)	25 1/4" x 25 1/4" (637mm x 637mm)	26 3/8" x 26 3/8" (679mm x 679mm)	27 1/4" x 27 1/4" (687mm x 687mm)	22	NT2049	NS 2049-EX	N/A	N/A
2060-10A	1 3/4" (44mm)	13" x 13" (330mm x 330mm)	14 1/4" x 14 1/4" (357mm x 357mm)	15 3/8" x 15 3/8" (400mm x 400mm)	15 3/8" x 15 3/8" (403mm x 403mm)	13	NT2060	NS 2060-EX	NT 2060-OW-G-1	NS 7060-BK
2070-10A	1 3/4" (44mm)	15 3/8" x 15 3/8" (391mm x 391mm)	16 1/2" x 16 1/2" (419mm x 419mm)	18 1/8" x 18 1/8" (460mm x 460mm)	18 1/4" x 18 1/4" (464mm x 464mm)	14	NT2070	NS 2070-EX	NT 7070-OFF-W	NS 7070-BK
2078-A	1 3/4" (44mm)	24 3/8" x 24 3/8" (624mm x 624mm)	24 1/2" x 24 1/2" (630mm x 630mm)	26 1/4" x 26 1/4" (676mm x 676mm)	27 1/4" x 27 1/4" (687mm x 687mm)	14				
2079-A	1 3/4" (44mm)	29 1/2" x 29 1/2" (749mm x 749mm)	29 3/4" x 29 3/4" (756mm x 756mm)	31 3/8" x 31 3/8" (803mm x 803mm)	32" x 32" (812mm x 812mm)	14				
2080-10A	1 3/4" (44mm)	17 3/8" x 17 3/8" (441mm x 441mm)	18 1/2" x 18 1/2" (470mm x 470mm)	20 3/8" x 20 3/8" (511mm x 511mm)	20 1/2" x 20 1/2" (514mm x 514mm)	16	NT2080	NS 2080-EX	NT 7080-OFF-W	NS 7080-BK
2086-A	1 3/4" (44mm)	19 1/2" x 19 1/2" (495mm x 495mm)	19 3/8" x 19 3/8" (502mm x 502mm)	21 3/8" x 21 3/8" (549mm x 549mm)	21 3/8" x 21 3/8" (552mm x 552mm)	16				
2086-10A	1 3/4" (44mm)	18 1/8" x 18 1/8" (479mm x 479mm)	20" x 20" (508mm x 508mm)	21 3/8" x 21 3/8" (549mm x 549mm)	21 3/8" x 21 3/8" (552mm x 552mm)	16				

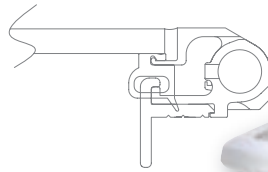
NOTE: O.D. Radius = 27/8" (73mm) C.O.R. 111/16" (43mm). Please allow 1/2" for hinge. When ordering trim rings, specify black or off white. Black is standard. Molded trim rings in off-white only.

HIGH PROFILE EXTRUDED HATCHES features

- « Anodized heavy-duty aluminum frames.
- « Heavy-duty acrylic lens.
- « Extra high sealing lip on base.
- « No sharp corners to snag lines or sails.
- « Spare parts available.
- « CE approval available. Please specify when ordering.
- « Heavy-duty hinges.
- « Quick acting, adjustable tie down dogs.
- « Locked vent position.
- « Height above deck approx. 1-3/4".
- « Molded trim ring, sewn screen available on select sizes.
- « SS riser arm rod.
- « OPTIONS:
 - « Inside/Outside opening.
 - « Powder coating.
 - « White acrylic lens.

2000 Series

CRUISING Low Profile Series



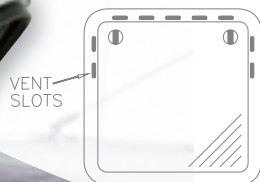
Cruising Low Profile Series

HATCH #	Height Deck to Lid	Hatch Opening		Cutout		OD Deck Flange		OD Lid	
	Z	X	Y	X	Y	X	Y	X	
0600-10A	1 1/4" 33mm	10 3/8" 262mm	10 3/8" 262mm	10 3/4" 273mm	10 3/4" 273mm	12 1/8" 316mm	12 1/8" 316mm	14 1/8" 359mm	14 1/8" 359mm
0605-10A	1 1/4" 33mm	9" 251mm	9 1/8" 251mm	10 3/8" 262mm	10 3/8" 262mm	12" 305mm	12" 305mm	13 1/8" 348mm	13 1/8" 348mm
0620-10A	1 1/4" 33mm	16 5/8" 414mm	11 1/8" 281mm	16 3/4" 425mm	11 1/2" 292mm	18 1/8" 468mm	13 3/8" 335mm	20 1/8" 511mm	14 7/8" 378mm
0628-10A	1 1/4" 33mm	17 3/8" 448mm	12 1/2" 318mm	18 1/8" 459mm	12 5/8" 329mm	19 3/4" 502mm	14 3/8" 371mm	21 1/8" 545mm	16 3/8" 414mm
0629-10A	1 1/4" 33mm	18 1/8" 459mm	12 5/8" 329mm	18 1/2" 470mm	13 3/8" 340mm	20 3/8" 513mm	15 1/8" 383mm	21 7/8" 556mm	16 3/4" 425mm
0637-10A	1 1/4" 33mm	19 3/8" 498mm	14 1/2" 368mm	20 3/8" 510mm	14 5/8" 379mm	21 3/4" 552mm	16 3/8" 422mm	23 3/8" 595mm	18 3/8" 465mm
0639-10A	1 1/4" 33mm	19 3/4" 502mm	19 3/4" 502mm	20 3/8" 513mm	20 3/8" 513mm	21 7/8" 556mm	21 7/8" 556mm	23 3/8" 598mm	23 3/8" 598mm
0648-10A	1 1/4" 33mm	24 3/8" 618mm	24 3/8" 618mm	24 3/4" 629mm	24 3/4" 629mm	26 1/8" 672mm	26 1/8" 672mm	28 1/8" 714mm	28 1/8" 714mm
0649-10A	1 1/4" 33mm	24 1/8" 627mm	24 1/8" 627mm	25 5/8" 638mm	25 5/8" 638mm	26 13/16" 681mm	26 13/16" 681mm	28 7/8" 724mm	28 7/8" 724mm
0670-10A	1 1/4" 33mm	16 3/8" 411mm	16 3/8" 411mm	16 3/4" 422mm	16 3/4" 422mm	18 3/8" 465mm	18 3/8" 465mm	20" 508mm	20" 508mm
0680-10A	1 1/4" 33mm	18 3/8" 460mm	18 3/8" 460mm	18 3/8" 471mm	18 3/8" 471mm	20 1/4" 514mm	20 1/4" 514mm	21 1/8" 557mm	21 1/8" 557mm
0686-10A	1 1/4" 33mm	19 3/8" 498mm	19 3/8" 498mm	20 1/4" 510mm	20 1/4" 510mm	21 3/4" 552mm	21 3/4" 552mm	23 1/8" 595mm	23 1/8" 595mm

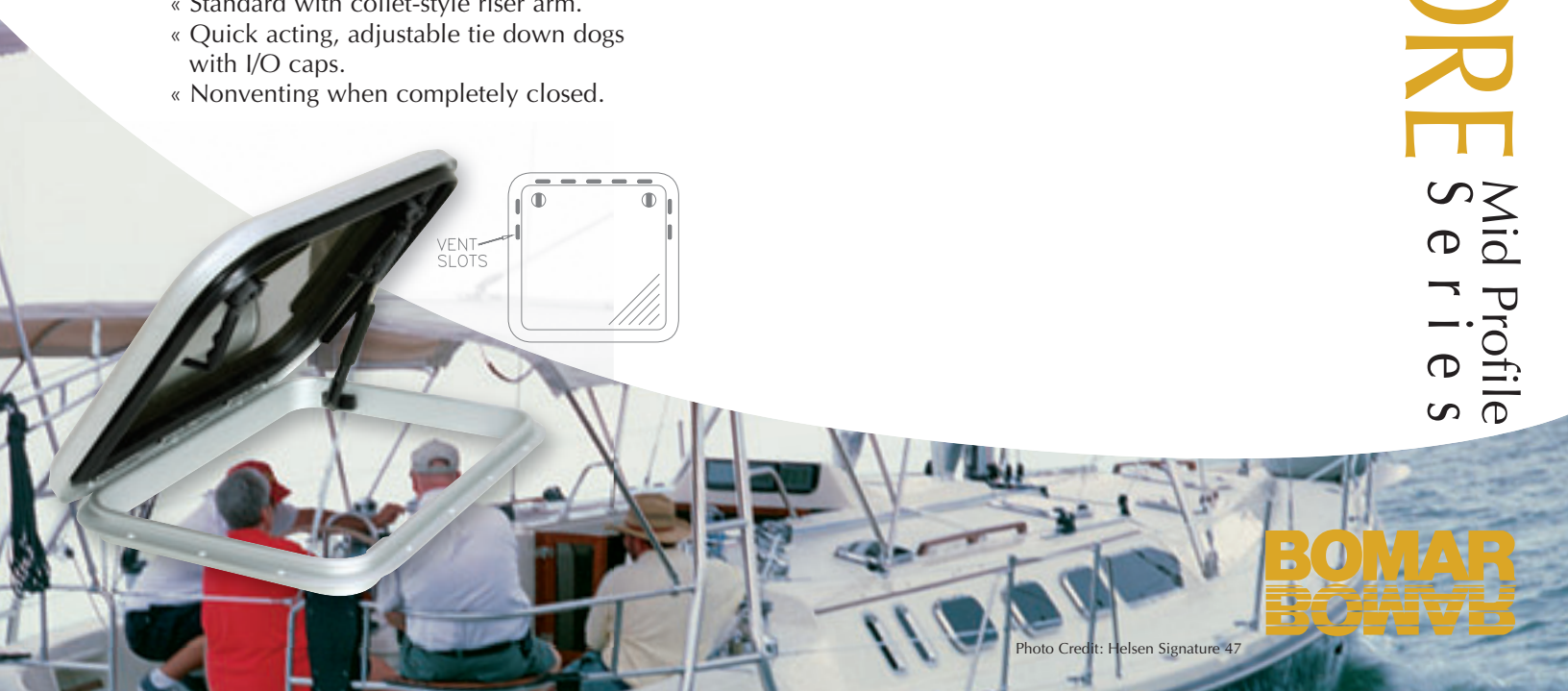
NOTE: Cut Out Radius = 1 1/8". O.D. Corner Radius = 2 1/8".

SEABREEZE features

- « CE approved.
- « Revolutionary, patented gasket technology lets air flow through, keeps water out (Vent option - Offshore only).
- « Moves 800 cubic feet per hour in a six mile per hour breeze. (Venting Offshore model only).
- « No visible hinge.
- « Available with or without spigot (Offshore only).
- « Standard with collet-style riser arm.
- « Quick acting, adjustable tie down dogs with I/O caps.
- « Nonventing when completely closed.

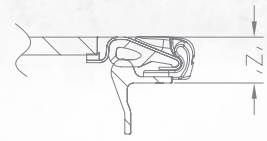
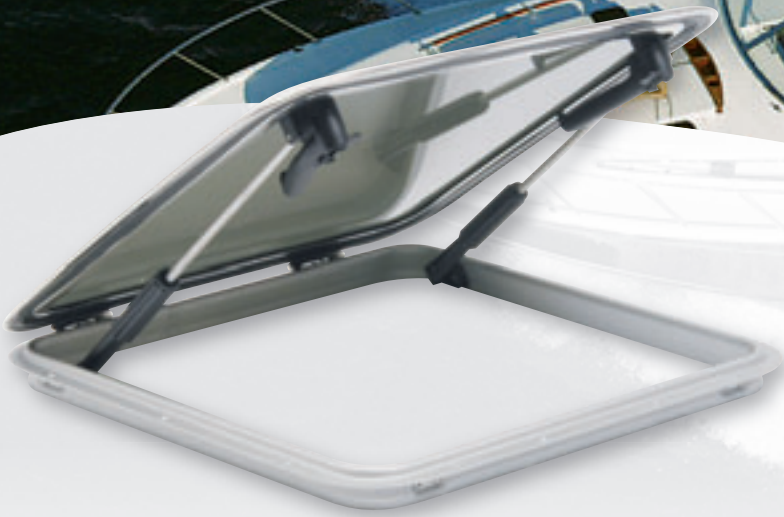


OFFSHORE Mid Profile Series

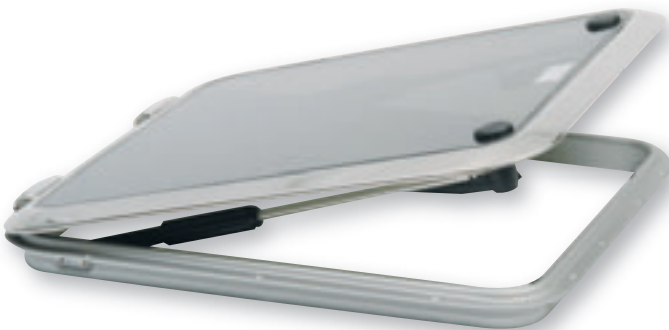
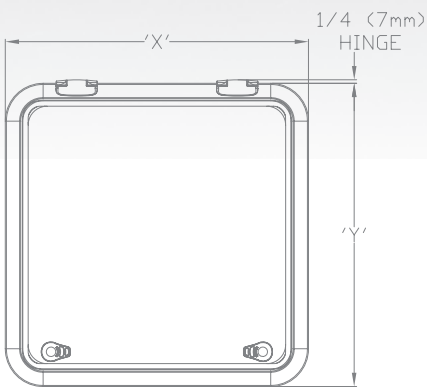


BOMAR
BOMAR

Photo Credit: Helsen Signature 47



1800 Series - Aluminum Base Frame



STAINLESS STEEL **LOW PROFILE** features

- « 316L Stainless steel lid.
- « Extruded aluminum base (1800 Series).
- « Stainless Steel base (1700 Series).
- « Quick acting, adjustable tie down dogs.
- « Inside/outside opening.
- « Trim ring and screen available.
- « CE approval available. Please specify when ordering.
- « Acrylic lens.
- « Tempered Glass.

SS VOYAGERS Low Profile series

SS VOYAGER Series

Mid Profile

SS Voyager Mid Profile Series

HATCH #	Height Deck to Lid	Hatch Opening		Cutout		OD Deck Flange		OD Lid	
	Z	X	Y	X	Y	X	Y	X	Y
2600-10A	1¼" 33mm	10¾" 262mm	10¾" 262mm	10¾" 273mm	10¾" 273mm	12¼" 316mm	12¼" 316mm	12½" 321mm	12½" 321mm
2601-10A	1¼" 33mm	7¼" 198mm	7¼" 198mm	8¼" 210mm	8¼" 210mm	9½" 252mm	9½" 252mm	10" 257mm	10" 257mm
2604-10A	1¼" 33mm	9¼" 249mm	9¼" 249mm	10¼" 260mm	10¼" 260mm	11¼" 303mm	11¼" 303mm	12" 308mm	12" 308mm
2606-10A	1¼" 33mm	8¼" 222mm	6¼" 170mm	9¼" 233mm	7½" 181mm	10" 276mm	8¼" 224mm	11¼" 281mm	9" 229mm
2608-10A	1¼" 33mm	16" 410mm	6½" 165mm	16½" 421mm	6½" 176mm	18¼" 464mm	8" 219mm	18½" 468mm	8¼" 224mm
2609-10A	1¼" 33mm	13¼" 337mm	7½" 194mm	13¼" 348mm	8" 205mm	15" 391mm	9¼" 248mm	15½" 395mm	9½" 252mm
2010-10A	1¼" 33mm	19¼" 500mm	10" 251mm	20" 511mm	10½" 262mm	21¼" 554mm	12" 305mm	22" 559mm	12½" 310mm
2011-10A	1¼" 33mm	13¼" 354mm	8¼" 221mm	14" 365mm	9" 232mm	16¼" 408mm	10¼" 275mm	16" 413mm	11" 279mm
2615-10A	1¼" 33mm	11¼" 294mm	11¼" 249mm	12" 305mm	12" 305mm	13¼" 348mm	13¼" 348mm	13½" 352mm	13½" 352mm
2619-10A	1¼" 33mm	19½" 495mm	15" 381mm	19½" 506mm	15½" 392mm	21½" 549mm	17" 435mm	21¾" 554mm	17½" 440mm
2624-10A	1¼" 33mm	19" 498mm	12" 308mm	20¼" 510mm	12¼" 319mm	21¾" 421mm	14" 362mm	21½" 557mm	14" 367mm
2628-10A	1¼" 33mm	17½" 448mm	12" 318mm	18½" 459mm	12½" 329mm	19¾" 502mm	14½" 371mm	19½" 506mm	14¾" 376mm
2037-10A	1¼" 33mm	19" 498mm	14" 368mm	20¼" 510mm	14¼" 379mm	21¾" 552mm	16" 422mm	21¼" 557mm	16¼" 427mm
2639-10A	1¼" 33mm	19¾" 502mm	19" 502mm	20¾" 513mm	20¾" 513mm	21¾" 556mm	21" 556mm	22¼" 560mm	22¼" 560mm
2640-10A	1¼" 33mm	20" 508mm	14½" 379mm	20¼" 519mm	15" 391mm	22¼" 562mm	17¼" 433mm	22½" 567mm	17¼" 438mm
2648-10A	1¼" 33mm	24¼" 618mm	24¼" 618mm	24¼" 629mm	24¼" 629mm	26¼" 672mm	26¼" 672mm	26¼" 676mm	26¼" 667mm
2649-10A	1¼" 33mm	24¼" 627mm	24¼" 627mm	25" 638mm	25" 638mm	26¼" 681mm	26¼" 681mm	27" 686mm	27" 686mm
2670-10A	1¼" 33mm	16¾" 411mm	16¾" 411mm	16¾" 422mm	16¾" 422mm	18¾" 465mm	18¾" 465mm	18" 470mm	18" 470mm
2680-10A	1¼" 33mm	18½" 459mm	18½" 459mm	18½" 470mm	18½" 470mm	20¾" 513mm	20¾" 513mm	20" 518mm	20" 518mm
2681-10A	1¼" 33mm	31¼" 792mm	31¼" 792mm	31½" 803mm	31½" 803mm	33½" 846mm	33½" 846mm	33½" 851mm	33½" 851mm
2686-10A	1¼" 33mm	19¼" 497mm	19¼" 497mm	20" 508mm	20" 508mm	21¼" 551mm	21¼" 551mm	21½" 557mm	21½" 557mm
2639-10AXR ROUND	1¼" 33mm	19¼" 487mm	~	20¾" 516mm	~	21¼" 557mm	~	21½" 557mm	~
2649-10AXR ROUND	1¼" 33mm	24" 610mm	~	25¼" 638mm	~	26¼" 679mm	~	26¼" 679mm	~

NOTE: Cut Out Radius = 1¼"/43mm. O.D. Spigot Radius = 1¾"/44mm. Theoretical OD Lid Radius = 2¼"/70mm



STAINLESS STEEL

HATCH

features

- « 316L Stainless Steel Lid.
- « Extruded aluminum base.
- « Quick acting, adjustable tie down dogs.
- « Inside/Outside opening. « Trim ring and screen available.
- « CE approval available. Please specify when ordering.

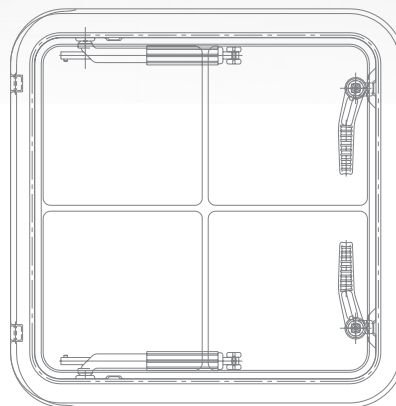
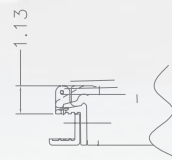
A mid profile hatch with a patented advantage

A more durable, higher quality hatch is simply not available. The VOYAGER series of hatches combines a mid-profile with a patented locking tie-down assembly and, on larger hatches



BOMAR BOWVA

Photo Credit: Chris Craft Boats



9006

S

e

r

e

S

900 Series

Hatch No.	Hatch Opening	Hole Cut Out (add 1/8" / 12mm for trim)	O.D. of Deck Flange	O.D. of Lid	Weight Lbs.	Cutout Radius	Trim Ring	Screen
910	8 ¹ / ₈ " x 8 ¹ / ₈ " (225mm x 225mm)	9 ¹ / ₂ " x 9 ¹ / ₂ " (241mm x 241mm)	11 ¹ / ₂ " x 11 ¹ / ₂ " (292mm x 292mm)	11 ¹ / ₈ " x 12 ¹ / ₈ " (300mm x 306mm)	3.5	1 ¹ / ₄ " (32mm)	GT 910	GS 910
927	17 ¹ / ₂ " x 12 ¹ / ₂ " (445mm x 318mm)	17 ¹ / ₈ " x 12 ¹ / ₈ " (454mm x 327mm)	19 ¹ / ₈ " x 14 ¹ / ₈ " (505mm x 378mm)	20 ³ / ₈ " x 15 ¹ / ₈ " (518mm x 384mm)	6.5	1 ¹ / ₈ " (43mm)	GT 927	GS 927
966	16 ¹ / ₈ " x 16 ¹ / ₈ " (414mm x 414mm)	16 ¹ / ₈ " x 16 ¹ / ₈ " (428mm x 428mm)	18 ⁷ / ₈ " x 18 ⁷ / ₈ " (480mm x 480mm)	19 ³ / ₈ " x 19 ³ / ₈ " (486mm x 492mm)	7.5	1 ¹ / ₈ " (43mm)	GT 966	GS 966
995	19 ¹ / ₈ " x 19 ¹ / ₈ " (489mm x 489mm)	19 ³ / ₈ " x 19 ³ / ₈ " (501mm x 501mm)	21 ¹ / ₈ " x 21 ¹ / ₈ " (556mm x 556mm)	22 ¹ / ₈ " x 22 ³ / ₈ " (560mm x 567mm)	9.75	1 ¹ / ₈ " (43mm)	GT 995	GS 995
939 ROUND	19 ³ / ₈ " (501mm)	20 ¹ / ₄ " (515mm)	22 ³ / ₈ " (567mm)	22 ³ / ₈ " (578mm)	15	N/A	NT 7139	NS 7139-BK

NOTE: When ordering, specify black or white. Black is standard.



MOLDED HATCH features

- « Quick action dogs.
- « Collect arm.
- « Available in black or white.
- « Smoke acrylic lens.
- « Vent position.
- « CE approval available.

OPTIONS:

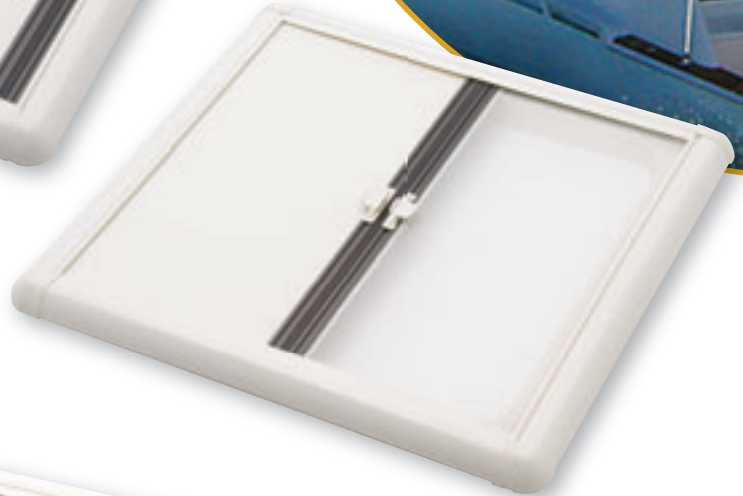
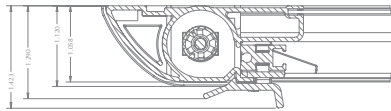
- « Inside/Outside opening.
- « Trim ring.
- « Screen.
- « White acrylic lens.



SEABREEZE Series



Surface Mount System



Flush Mount System



Seabreeze Series

Fits Hatch Size	Shade Size			
	X		Y	
	in	mm	in	mm
1000	6 ³ / ₈ "	(412mm)	14 ¹⁵ / ₁₆ "	(380mm)
1029	22 ³ / ₈ "	(577mm)	18 ³ / ₈ "	(478mm)
1039	25 ³ / ₈ "	(652mm)	24 ¹ / ₈ "	(620mm)
1070	22 ¹ / ₈ "	(560mm)	20 ³ / ₈ "	(529mm)
1080	23 ³ / ₈ "	(609mm)	22 ¹ / ₈ "	(577mm)
1139	26 ⁷ / ₈ "	(683mm)	25 ⁵ / ₈ "	(651mm)
1170	23 ⁵ / ₈ "	(609mm)	22 ¹ / ₈ "	(577mm)

Sizes Available For Most Bomar Hatches

Custom Sizes Available

Please specify mounting style when ordering.

SHADE SCREEN

Introducing the SeaBreeze Shade / Screen. The solution that keep the sun and insects out without ruining your elegant silhouette. It only takes minutes and a screwdriver to install the SeaBreeze, because it mounts directly to your Bomar hatch with only four screws and no additional finishing work to worry about.

Our unique built-in track system has been designed to keep the shade and screen from rolling unevenly. It always looks trim, performs with flawless precision, and can block both sun and bugs, or let in the breeze while blocking bugs. Or you can set it to do a combination of both. And of course, you can count on the quality materials and craftsmanship Bomar is known for.



PRIVACY, LIGHTING, TRIM RINGS & SCREENS

TRIM RINGS & SCREENS



7000 Series Trim and Screen



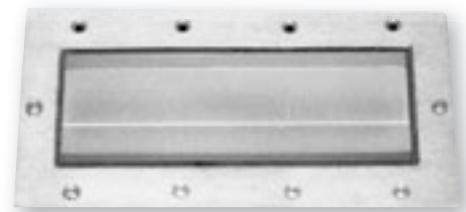
2000 Series Trim and Screen

See hatch pages
for availability



PRISM

- « Designed to light areas where deck space is limited.
- « Triangular shaped acrylic lens disperses light.
- « Cast aluminum frame.



Seabreeze Series Prism

Prism No.	Hull Opening	O.D. of Deck Flange	Weight Lbs
101	2 $\frac{3}{8}$ " x 6 $\frac{1}{4}$ "	4 $\frac{3}{8}$ " x 7 $\frac{3}{8}$ "	1
102	3 $\frac{3}{8}$ " x 8 $\frac{3}{8}$ "	5 $\frac{1}{4}$ " x 10 $\frac{3}{8}$ "	1
103	2 $\frac{7}{8}$ " x 13 $\frac{3}{8}$ "	4 $\frac{3}{8}$ " x 15 $\frac{1}{4}$ "	2



Shown with optional polished finish.

2000 Series

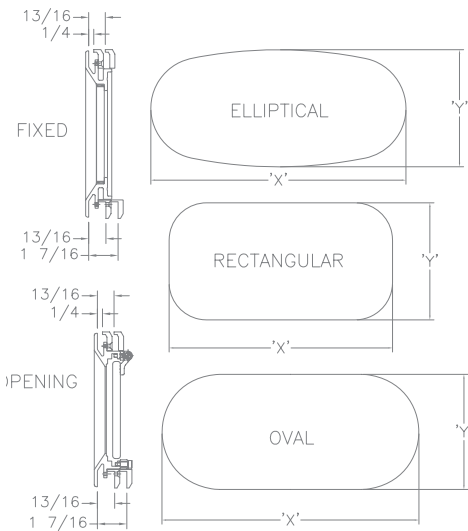
	(STYLE)	Clear View	Cutout	OD Port	OD Trim
RECTANGULAR PORTLIGHT #					
		X	Y	X	Y
2410	OPENING	9 ¹ / ₈ " 243mm	3 ¹ / ₈ " 94mm	12" 305mm	6 ¹ / ₈ " 156mm
2414	OPENING	13 ¹ / ₂ " 343mm	3 ¹ / ₈ " 94mm	15 ³ / ₁₆ " 405mm	6 ¹ / ₈ " 156mm
2512	OPENING	11 ¹ / ₈ " 287mm	4 ¹ / ₈ " 111mm	13 ³ / ₁₆ " 349mm	6 ¹ / ₈ " 173mm
2515	OPENING	14 ¹ / ₈ " 367mm	4 ¹ / ₈ " 110mm	16 ¹ / ₈ " 429mm	6 ¹ / ₈ " 171mm
2523	OPENING	22 ¹ / ₄ " 565mm	4 ¹ / ₈ " 110mm	24 ¹ / ₈ " 627mm	6 ³ / ₈ " 171mm
2714	OPENING	14 ¹ / ₈ " 364mm	7 ¹ / ₈ " 181mm	16 ³ / ₈ " 425mm	9 ¹ / ₈ " 243mm
		X	Y	X	Y
		12 ³ / ₄ " 325mm	6 ¹ / ₈ " 176mm	14 ¹ / ₈ " 370mm	7 ⁷ / ₈ " 194mm
		12 ³ / ₈ " 329mm	7 ¹ / ₈ " 179mm	14 ¹ / ₈ " 373mm	7 ³ / ₈ " 197mm
		17 ¹ / ₈ " 449mm	7 ¹ / ₈ " 195mm	17 ¹ / ₈ " 452mm	7 ¹ / ₈ " 195mm
		25 ¹ / ₈ " 651mm	7 ¹ / ₈ " 195mm	25 ¹ / ₈ " 651mm	7 ¹ / ₈ " 195mm
		17 ¹ / ₈ " 449mm	10 ¹ / ₈ " 267mm	17 ¹ / ₈ " 449mm	10 ¹ / ₈ " 267mm

OVAL PORTLIGHT

2514-OV OPENING

ELLIPTICAL PORTLIGHT

2319-EL OPENING



2000 Series

EXTRUDED PORTLIGHT features

- « Anodized heavy-duty aluminum frames.
- « Smoke lens standard.
- « CE approval available.
- « Complete with trim ring and screen.
- « Adjustable quick dogs.
- « Deep drain angle.
- « No visible exterior screws
- « Minimum hull thickness is 1/4".
Maximum is 1-7/16".

Please specify hull thickness when ordering.



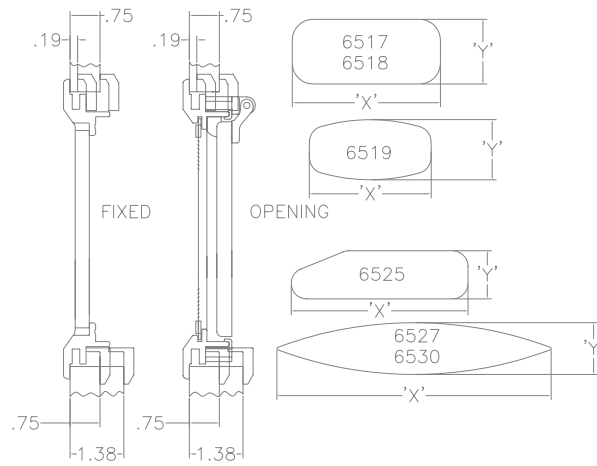


6000 Series

(STYLE)	Clear View	Cutout	OD Port	OD Trim
6000 PORTLIGHT #				
	X	Y	X	Y
6517	14 ¹ / ₁₆ "	4 ¹ / ₁₆ "	16 ⁶ / ₁₆ "	6 ⁶ / ₁₆ "
OPENING	373mm	119mm	429mm	175mm
	X	Y	X	Y
6518	19 ¹ / ₁₆ "	4 ¹ / ₁₆ "	21 ¹ / ₁₆ "	6 ⁶ / ₁₆ "
OPENING	484mm	119mm	540mm	175mm
	X	Y	X	Y
6525	25 ¹ / ₁₆ "	4 ¹ / ₁₆ "	27 ³ / ₁₆ "	6 ⁶ / ₁₆ "
OPENING	646mm	119mm	702mm	175mm
	X	Y	X	Y
6527	28 ¹ / ₁₆ "	7 ¹ / ₂ "	28 ¹ / ₂ "	7 ³ / ₄ "
OPENING	724mm	191mm	724mm	197mm

NOTE: 6000 Portlights:

Cut Out Radius = 2¹/₈"/57mm. O.D. Spigot Radius = 2¹/₈"/54mm. Theoretical OD Trim Radius = 2³/₈"/67mm

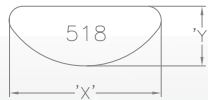
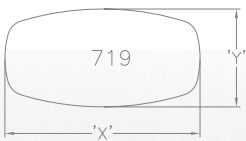
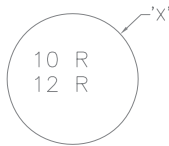
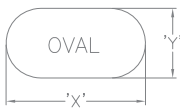
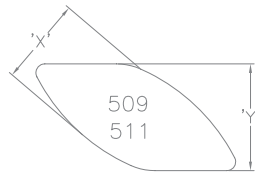


EXTRUDED PORTLIGHTS

The 6000 Series portlight, takes the attractive features of the 2000 Series portlight and goes one better - by including an innovative screen with a tab system that makes removing and installing the screen fast and easy.

6000 Series

SS FLAGSHIP Series



STAINLESS STEEL PORTLIGHTS

Bomar's Flagship series of portlights includes our top-of-the-line stainless steel version. Designed to offer sleek attractive styling with the low-maintenance, rugged durability of stainless steel, these portlights include a patented mounting system that makes it both simple to install and completely leak-free. The beveled exterior, molded gasket, and deep drain angle ensure that water stays outside, even in challenging weather. Available in a full range of shapes and sizes for all styles of boats, these portlights have tie down dogs with adjustable tension, an attractive mirror finish that complements the smoked lens, and no visible exterior screws. Comes complete with trim ring and screen.

BOMAR
BOWTIE



SS Flagship Series

(STYLE)	Clear View		Cutout		OD Port		OD Trim	
PORTLIGHT #	X	Y	X	Y	X	Y	X	Y
719	14 $\frac{1}{2}$ " 243mm	5 $\frac{1}{2}$ " 137mm	18" 257mm	8 $\frac{1}{2}$ " 216mm	19" 483mm	9 $\frac{1}{2}$ " 241mm	19" 483mm	9 $\frac{1}{2}$ " 241mm

OVAL PORTLIGHT #	X	Y	X	Y	X	Y	X	Y
716	11 $\frac{1}{2}$ " 295mm	3 $\frac{1}{2}$ " 95mm	14 $\frac{1}{2}$ " 375mm	6 $\frac{1}{2}$ " 175mm	15 $\frac{1}{2}$ " 400mm	7 $\frac{1}{2}$ " 200mm	15 $\frac{1}{2}$ " 400mm	7 $\frac{1}{2}$ " 200mm

720	15 $\frac{1}{2}$ " 403mm	4 $\frac{1}{2}$ " 111mm	19" 483mm	7 $\frac{1}{2}$ " 191mm	20" 508mm	8 $\frac{1}{2}$ " 216mm	20" 508mm	8 $\frac{1}{2}$ " 216mm
722	18 $\frac{1}{2}$ " 467mm	3 $\frac{1}{2}$ " 98mm	21 $\frac{1}{2}$ " 546mm	7" 178mm	22 $\frac{1}{2}$ " 572mm	8" 203mm	22 $\frac{1}{2}$ " 572mm	8" 203mm

EELLIPTICAL PORTLIGHT #	X	Y	X	Y	X	Y	X	Y
516	13 $\frac{1}{2}$ " 352mm	3 $\frac{1}{2}$ " 92mm	17" 432mm	6 $\frac{1}{2}$ " 171mm	18" 457mm	7 $\frac{3}{4}$ " 197mm	18" 457mm	7 $\frac{3}{4}$ " 197mm

517	15 $\frac{1}{2}$ " 391mm	4 $\frac{1}{2}$ " 114mm	18 $\frac{1}{2}$ " 470mm	7 $\frac{1}{2}$ " 194mm	19 $\frac{1}{2}$ " 495mm	8 $\frac{1}{2}$ " 219mm	19 $\frac{1}{2}$ " 495mm	8 $\frac{1}{2}$ " 219mm
------------	-----------------------------	----------------------------	-----------------------------	----------------------------	-----------------------------	----------------------------	-----------------------------	----------------------------

2319	12 $\frac{1}{2}$ " 318mm	3 $\frac{1}{2}$ " 92mm	15 $\frac{1}{2}$ " 397mm	6 $\frac{3}{4}$ " 171mm	16 $\frac{1}{2}$ " 422mm	7 $\frac{3}{4}$ " 197mm	16 $\frac{1}{2}$ " 422mm	7 $\frac{3}{4}$ " 197mm
-------------	-----------------------------	---------------------------	-----------------------------	----------------------------	-----------------------------	----------------------------	-----------------------------	----------------------------

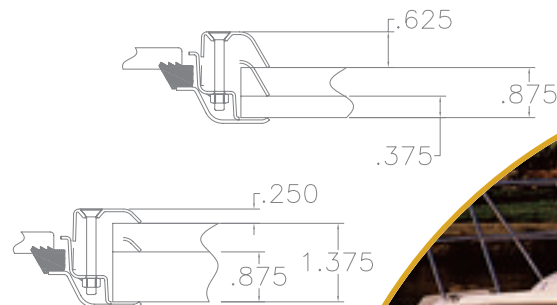
PARALLELOGRAM PORTLIGHT #	X	Y	X	Y	X	Y	X	Y
509 P/S	6" 153mm	5 $\frac{1}{4}$ " 149mm	9 $\frac{1}{4}$ " 233mm	9" 229mm	10 $\frac{3}{8}$ " 258mm	10" 254mm	10 $\frac{3}{8}$ " 258mm	10" 254mm
511 P/S	7 $\frac{1}{2}$ " 189mm	7 $\frac{1}{2}$ " 194mm	10 $\frac{1}{8}$ " 268mm	10 $\frac{3}{8}$ " 273mm	11 $\frac{1}{8}$ " 293mm	11 $\frac{1}{4}$ " 298mm	11 $\frac{1}{8}$ " 293mm	11 $\frac{1}{4}$ " 298mm

ROUND PORTLIGHT #	X	Y	X	Y	X	Y	X	Y
10R	5 $\frac{1}{2}$ " 149mm	~	9" 229mm	~	10" 254mm	~	10" 254mm	~
12R	7 $\frac{1}{2}$ " 200mm	~	11" 279mm	~	12" 305mm	~	12" 305mm	~

features

- « No visible exterior screws.
- « Large viewing area.
- « Deep drain angle.
- « Complete with trim ring and screen.
- « Adjustable quick dogs.
- « Smoked lens.
- « CE approval available. Please specify when ordering.
- « Non opening version available for 719,516,517,716,722,509,511.
- « Optional SS flipper dogs available.
- « Stainless steel framed lens on 722.

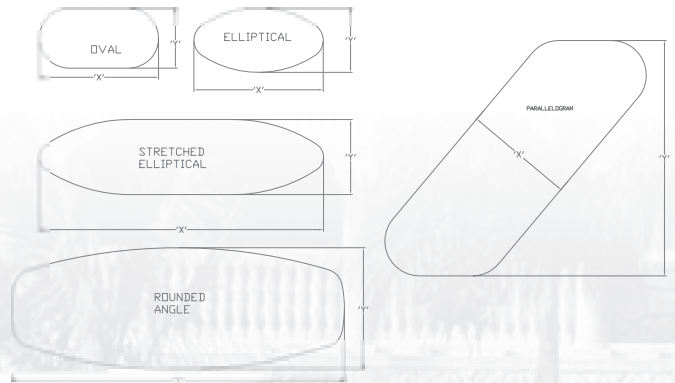
Please specify hull thickness when ordering.



SS PREMIER Series

STAINLESS PORTLIGHT

Bomar is proud to continue our Premier Series stainless portlights. These superbly crafted portlights feature all-stainless steel construction with a highly polished clean interior appearance, and adjustable hardware for maximum sealing and longevity. Available in classic designs with a deep spigot, this is the ultimate choice for the finest boats in the world, and is the optimum solution for larger yachts that require a deeper mounting area to accommodate thicker hulls.



BOMAR
BOW&VB

SS Premier Series

(STYLE)	Cutout		OD Port		OD Trim	
	X	Y	X	Y	X	Y
OVAL PORTLIGHT #						
315	14" 356mm	7 ¹ / ₈ " 184mm	15 ¹ / ₈ " 393mm	8 ¹ / ₈ " 221mm	14 ¹ / ₈ " 375mm	8" 203mm
319	17 ¹ / ₈ " 454mm	7 ¹ / ₈ " 202mm	19 ¹ / ₈ " 491mm	9 ¹ / ₈ " 239mm	18 ¹ / ₈ " 473mm	8 ¹ / ₈ " 221mm
320	18 ¹ / ₈ " 481mm	8 ¹ / ₈ " 211mm	20 ¹ / ₈ " 518mm	9 ¹ / ₈ " 248mm	19 ¹ / ₈ " 500mm	9 ¹ / ₈ " 230mm
323	21 ¹ / ₈ " 555mm	10 ¹ / ₈ " 257mm	23 ¹ / ₈ " 592mm	11 ¹ / ₈ " 294mm	22 ¹ / ₈ " 574mm	10 ¹ / ₈ " 276mm
324	22 ¹ / ₈ " 582mm	8 ¹ / ₈ " 211mm	24 ¹ / ₈ " 619mm	9 ¹ / ₈ " 248mm	23 ¹ / ₈ " 601mm	9 ¹ / ₈ " 230mm

EIPTICAL PORTLIGHT #						
919	18 ¹ / ₈ " 459mm	7 ¹ / ₈ " 202mm	19 ¹ / ₂ " 496mm	9 ³ / ₈ " 239mm	18 ¹ / ₈ " 478mm	8 ¹ / ₈ " 221mm
924	24" 610mm	8 ³ / ₈ " 224mm	25 ¹ / ₈ " 647mm	10 ¹ / ₄ " 261mm	24 ³ / ₄ " 629mm	9 ¹ / ₈ " 243mm

STRETCHED EIPTICAL PORTLIGHT #						
919-BULLET	28" 712mm	7 ¹ / ₈ " 202mm	29 ¹ / ₈ " 748mm	9 ³ / ₈ " 239mm	28 ³ / ₈ " 731mm	8 ¹ / ₈ " 221mm

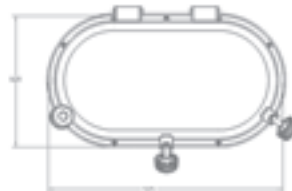
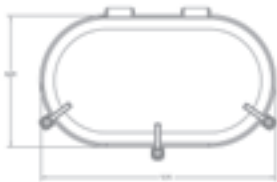
ROUNDED ANGLE PORTLIGHT #						
330	18 ¹ / ₈ " 471mm	6 ³ / ₈ " 171mm	20" 508mm	8 ³ / ₈ " 208mm	19 ¹ / ₈ " 490mm	7 ¹ / ₂ " 190mm
331	21 ¹ / ₈ " 555mm	5 ¹ / ₈ " 147mm	23 ¹ / ₈ " 592mm	7 ¹ / ₄ " 184mm	22 ¹ / ₈ " 574mm	6 ¹ / ₈ " 166mm
332	26 ¹ / ₈ " 678mm	8 ³ / ₈ " 227mm	28 ¹ / ₈ " 715mm	10 ³ / ₈ " 264mm	27 ¹ / ₈ " 697mm	9 ¹ / ₈ " 246mm

RECTANGULAR PORTLIGHT #						
413	12" 305mm	5" 127mm	13 ¹ / ₈ " 342mm	6 ¹ / ₈ " 164mm	12 ³ / ₈ " 324mm	5 ³ / ₈ " 146mm
416	15" 381mm	5" 127mm	16 ¹ / ₈ " 418mm	6 ¹ / ₈ " 164mm	15 ¹ / ₈ " 400mm	5 ³ / ₈ " 146mm



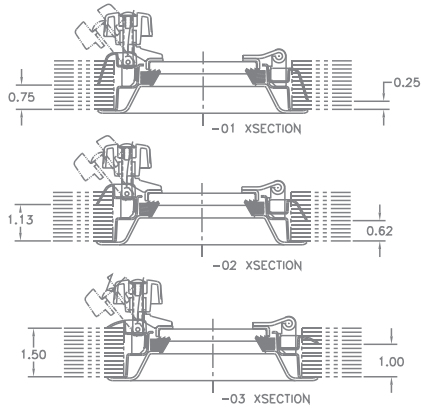
features

- « High polished stainless steel frame.
- « Standard with cast stainless steel knobs or quick dogs.
- « Stainless steel removable screen.
- « CE approved specify when ordering.



PASSAGE Series

The Passage Series of portlights is designed to offer sleek attractive styling with the low-maintenance, rugged durability of stainless steel. These portlights include a patented mounting system that makes it both simple to install and completely leak-free.



Passage Series

Hatch No.	I.D. Opening	Cut Out Size	O.D. Size	Weight Lbs.
H6551	3 ¹ / ₄ " x 9 ¹ / ₄ " (83mm x 235mm)	5 ⁵ / ₈ " x 11 ³ / ₈ " (143mm x 295mm)	6 ¹ / ₂ " x 16 ¹ / ₂ " (165mm x 318mm)	6
H6552	4 ¹ / ₄ " x 11 ¹ / ₄ " (108mm x 286mm)	6 ⁵ / ₈ " x 13 ³ / ₈ " (168mm x 346mm)	7 ¹ / ₂ " x 14 ¹ / ₂ " (191mm x 368mm)	7
H6553	4 ¹ / ₄ " x 14 ¹ / ₄ " (108mm x 362mm)	6 ⁵ / ₈ " x 16 ⁵ / ₈ " (168mm x 422mm)	7 ¹ / ₂ " x 17 ¹ / ₂ " (191mm x 445mm)	8
H6555	6 ¹ / ₄ " x 13 ¹ / ₄ " (159mm x 337mm)	8 ⁵ / ₈ " x 15 ³ / ₈ " (219mm x 397mm)	9 ¹ / ₂ " x 16 ¹ / ₂ " (241mm x 419mm)	8

NOTE: Cutout radius = 2¹/₁₆"

The beveled exterior, molded gasket, and drain angle ensure that water stays outside, even in challenging weather. These portlights have threaded tie down knob dogs for adjusting tension, an attractive mirror finish that complements the smoked acrylic lens, and no visible exterior screws. Comes complete with stainless steel screen.

STAINLESS STEEL PORTLIGHTS

Traditional rectangular portlight, rugged durability expressed in timeless styling. A strong, sleekly styled portlight crafted to the highest standards from stainless steel and high-strength tempered glass. Designed to provide years of service and stand up to the toughest weather.

- « 316L stainless steel frame.
- « Stainless steel adjustable hinge for maximum gasket pressure.
- « Stainless steel framed tempered glass lens.
- « Available in straight or angled spigots.
- « Framed, fiber glass screen.
- « Custom sizes available.



Hood Series

Models	Opening	Cut Out	Overall	RI
H6539-XXX	4" x 10" (101mm x 254mm)	4 ¹ / ₄ " x 10 ¹ / ₄ " (108mm x 256mm)	6 ⁵ / ₈ " x 12 ³ / ₈ " (162mm x 311mm)	2 ³ / ₈ " (62mm)
H6540-XXX	5" x 12" (127mm x 305mm)	5 ¹ / ₄ " x 12 ¹ / ₄ " (133mm x 307mm)	7 ³ / ₈ " x 14 ³ / ₈ " (187mm x 362mm)	2 ³ / ₈ " (62mm)
H6547-0518-XXX	5" x 18" (127mm x 457mm)	5 ¹ / ₄ " x 18 ¹ / ₄ " (133mm x 464mm)	7 ³ / ₈ " x 20 ³ / ₈ " (187mm x 524mm)	2 ³ / ₈ " (62mm)
H6541-XXX	7" x 14" (178mm x 356mm)	7 ¹ / ₄ " x 14 ¹ / ₄ " (184mm x 362mm)	9 ⁵ / ₈ " x 16 ⁵ / ₈ " (238mm x 416mm)	2 ³ / ₈ " (62mm)
H6542-XXX	7" x 16" (178mm x 406mm)	7 ¹ / ₄ " x 16 ¹ / ₄ " (184mm x 413mm)	9 ⁵ / ₈ " x 18 ³ / ₈ " (244mm x 473mm)	2 ³ / ₈ " (62mm)
H6543-XXX	8" x 18" (203mm x 457mm)	8 ¹ / ₄ " x 18 ¹ / ₄ " (210mm x 464mm)	10 ³ / ₈ " x 20 ³ / ₈ " (269mm x 524mm)	2 ³ / ₈ " (62mm)
H6547-1020-XXX	10" x 20" (254mm x 508mm)	10 ⁵ / ₈ " x 20 ³ / ₈ " (262mm x 516mm)	12 ¹ / ₈ " x 22 ³ / ₈ " (327mm x 581mm)	2 ¹ / ₂ " (65mm)
H6547-1024-XXX	10" x 24" (254mm x 609mm)	10 ⁵ / ₈ " x 24 ³ / ₈ " (262mm x 617mm)	12 ¹ / ₈ " x 26 ³ / ₈ " (327mm x 682mm)	2 ¹ / ₂ " (65mm)
H6547-1224-XXX	12" x 24" (305mm x 609mm)	12 ⁵ / ₈ " x 24 ³ / ₈ " (311mm x 617mm)	14 ¹ / ₈ " x 26 ³ / ₈ " (378mm x 682mm)	2 ¹ / ₂ " (65mm)
H6547-1228-XXX	12" x 28" (305mm x 710mm)	12 ⁵ / ₈ " x 28 ³ / ₈ " (311mm x 718mm)	14 ¹ / ₈ " x 30 ³ / ₈ " (378mm x 784mm)	2 ¹ / ₂ " (65mm)

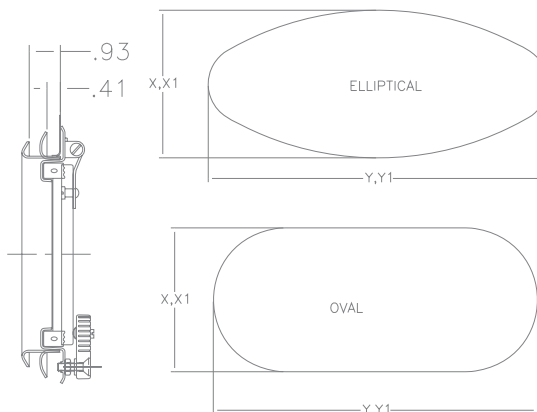
XXX = Specify spigot length. Example 1¹/₂" spigot is = 150. • 2" spigot = 200
A/S = Specify angled or straight spigot • spigot lengths available from 0" to 4"
• Storm covers available • Gas arms are available



STAINLESS STEEL PORTLIGHTS

features

- « Polished stainless steel opening portlights.
- « Friction hinge.
- « Complete with outside finishing ring and screen.
- « Smoked acrylic lens with polished edges.
- « Internal mounting holes.
- « Adjustable quick dog.
- « CE approved.

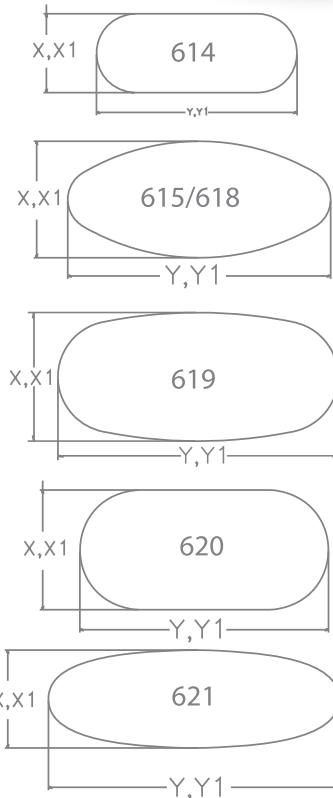


Classic Series

STAINLESS STEEL

Portlight No.	O.D. of Finishing Ring		Cutout	
	X	Y	X1	Y1
Part No.	in	mm	in	mm
S616MBSS	7¼" (184mm)	17½" (435mm)	6¼" (159mm)	16¼" (413mm)
S718MBSS	7⅞" (200mm)	18¾" (468mm)	7" (178mm)	17¾" (451mm)

MOLDED FLAGSHIP Series



Molded Flagship Series

Portlight No.	O.D. of Finishing Ring		Cutout		Weight Lbs.
	X	Y	X1	Y1	
614	5 1/8" (141mm)	14 1/8" (357mm)	4 1/8" (116mm)	13 1/8" (332mm)	3
615	6 1/8" (160mm)	16 1/8" (425mm)	5 1/8" (135mm)	15 1/8" (400mm)	2
618	8 1/8" (184mm)	18 1/8" (468mm)	7 1/8" (184mm)	17 1/8" (443mm)	4
619	7 1/8" (200mm)	16 1/8" (422mm)	6 1/8" (175mm)	15 1/8" (397mm)	4
620	8 1/8" (216mm)	17 1/8" (444mm)	7 1/8" (191mm)	16 1/8" (419mm)	5
621	6 1/8" (173mm)	20 1/8" (514mm)	5 1/8" (148mm)	19 1/8" (489mm)	4
615-FIXED	6 1/8" (160mm)	16 1/8" (425mm)	5 1/8" (135mm)	15 1/8" (400mm)	2
618-FIXED	8 1/8" (210mm)	18 1/8" (468mm)	7 1/8" (184mm)	17 1/8" (443mm)	4

Our Flagship Series of molded portlights prove you don't have to sacrifice style for economy. With a patented design that includes a beveled exterior to shed water and a deep spigoted drain area, this innovative molded portlight, with an optional exterior stainless steel ring, gives you the look of all stainless steel for a fraction of the price. And this value-packed portlight offers the large viewing area, attractive smoked lens, and adjustable quick dog you'd expect in a more expensive design. Because it's Bomar, you know it will live up to our high standards of performance and durability.

MOLDED FLAGSHIP features

- « Deep spigoted drain angle.
- « No visible exterior screws.
- « Optional stainless steel exterior trim ring.
- « Large viewing area.
- « Adjustable quick dog.
- « Smoked lens.
- « Complete with screen.
- « Minimum hull thickness is 1/4". Maximum is 1-3/8".
- « Please specify hull thickness when ordering.
- « CE approved.

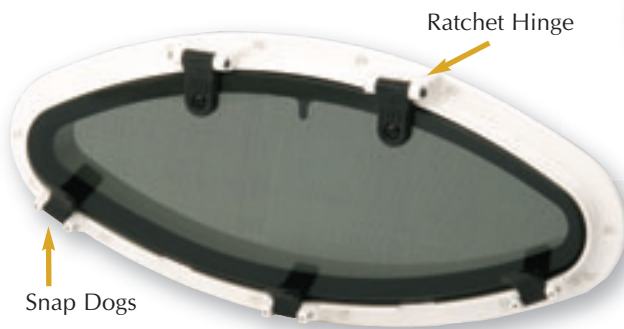
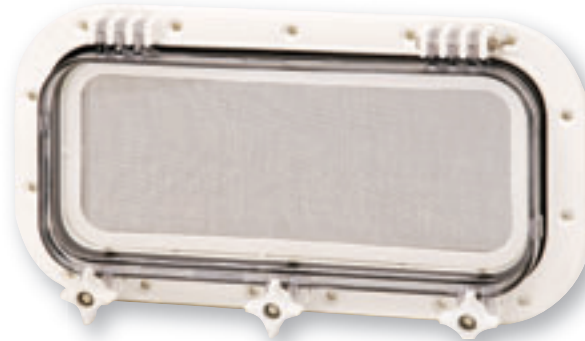


Gray Series

Portlight No.	O.D. of Finishing Ring		Cutout		Spigot Length	Weight Lbs.
	X	Y	X1	Y1		
ELLIPTICAL						
Part No.	in	mm	in	mm	in	mm
515	5 ⁷ / ₈ " (149)	16 ¹ / ₂ " (419)	3 ⁵ / ₈ " (92)	14 ¹ / ₂ " (362)	1 ¹ / ₈ " (29)	2
626	8 ³ / ₈ " (208)	18 ³ / ₈ " (467)	6" (152)	16" (406)	1 ¹ / ₄ " (32)	3
OVAL						
4140V	8" (203)	17 ³ / ₈ " (448)	5 ³ / ₄ " (146)	15 ³ / ₈ " (391)	1 ³ / ₈ " (30)	3
RECTANGLE						
310	5 ¹ / ₂ " (140)	12 ³ / ₈ " (314)	3 ¹ / ₂ " (89)	10 ³ / ₈ " (263)	1" (25)	2
410-SD	6 ³ / ₈ " (167)	12 ¹ / ₂ " (318)	4 ³ / ₈ " (117)	10 ¹ / ₈ " (265)	1 ¹ / ₈ " (49)	2.5
414-A	6 ¹ / ₂ " (165)	16 ¹ / ₂ " (419)	4 ¹ / ₂ " (114)	14 ¹ / ₂ " (368)	1 ⁷ / ₈ " (48)	3
414-SD	6 ¹ / ₂ " (165)	16 ¹ / ₂ " (419)	4 ¹ / ₂ " (114)	14 ¹ / ₂ " (368)	1 ⁷ / ₈ " (48)	3
512-AD	7 ³ / ₈ " (198)	14 ¹ / ₈ " (373)	5 ¹ / ₂ " (140)	12 ¹ / ₂ " (318)	2 ³ / ₈ " (60)	3.5
715-AD	9 ³ / ₈ " (244)	17 ³ / ₈ " (451)	7 ³ / ₈ " (192)	15 ¹ / ₂ " (394)	1 ⁷ / ₈ " (48)	4.5
818-AD	10 ¹ / ₈ " (271)	20 ³ / ₈ " (524)	8 ¹ / ₂ " (216)	18 ¹ / ₈ " (468)	1 ⁷ / ₈ " (48)	5.5
724-AD	9 ⁷ / ₈ " (251)	26 ³ / ₈ " (679)	7 ³ / ₈ " (192)	24 ¹ / ₂ " (622)	1 ⁷ / ₈ " (48)	8

NOTE: AD=angled drain/SD=straight drain

GRAY
S
e
r
i
e
s



626 Molded Portlight

Portlight No.	O.D. of Finishing Ring		Cutout	
	X	Y	X1	Y1
MOLDED FIXED WITH STAINLESS STEEL EXTERIOR				
Part No.	in	mm	in	mm
515-10	4 ⁷ / ₈ " (124mm)	15 ³ / ₈ " (397mm)	3 ¹ / ₂ " (89mm)	14" (356mm)
518-10	6 ¹ / ₈ " (156mm)	19 ¹ / ₂ " (495mm)	4 ¹ / ₂ " (114mm)	17 ³ / ₈ " (454mm)
616-10	7 ³ / ₄ " (197mm)	18" (457mm)	5 ³ / ₄ " (146mm)	15 ³ / ₄ " (400mm)

MOLDED PORTLIGHT features

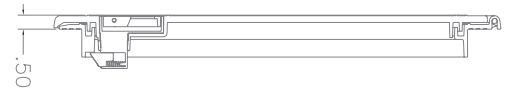
- « No visible exterior screws.
- « Large viewing area.
- « Adjustable quick dog.
- « Smoked lens.
- « Complete with trim ring & screen.
- « Minimum hull thickness is 1/4". Maximum is 1-7/8".
- « Please specify hull thickness when ordering.
- « CE approved.

GRAY Series



Access Hatch

Hatch No.	Hatch Opening	Hole Cut Out	O.D. of Lid	Cutout Radius	O.D. of Radius	Weight Lbs.
7711	7 ⁵ / ₈ " x 11 ¹ / ₈ " (181mm x 282mm)	8 ³ / ₁₆ " x 12 ³ / ₁₆ " (208mm x 310mm)	10 ¹ / ₄ " x 14 ¹ / ₁₆ " (260mm x 357mm)	1 ¹ / ₁₆ " (49mm)	2 ¹ / ₄ " (57mm)	2
7812	9 ³ / ₁₆ " x 12" (252mm x 305mm)	10 ⁵ / ₁₆ " x 13 ¹ / ₁₆ " (276mm x 332mm)	12 ³ / ₁₆ " x 14 ¹ / ₁₆ " (329mm x 379mm)	1 ¹ / ₁₆ " (49mm)	2 ¹ / ₄ " (57mm)	2.5
71020	11 ¹ / ₄ " x 20 ¹ / ₁₆ " (281mm x 509mm)	12 ¹ / ₈ " x 21 ³ / ₁₆ " (308mm x 721mm)	14 ³ / ₁₆ " x 23" (360mm x 584mm)	2 ¹ / ₁₆ " (53mm)	3" (76mm)	4.5
71030	10 ⁵ / ₁₆ " x 27 ³ / ₁₆ " (262mm x 694mm)	11 ¹ / ₈ " x 28 ³ / ₁₆ " (289mm x 721mm)	13 ¹ / ₁₆ " x 30 ¹ / ₄ " (341mm x 768mm)	2 ¹ / ₁₆ " (53mm)	3" (76mm)	5.5
71317	9 ⁷ / ₁₆ " x 14 ³ / ₁₆ " (251mm x 370mm)	10 ³ / ₁₆ " x 15 ³ / ₁₆ " (278mm x 397mm)	13" x 17 ¹ / ₁₆ " (330mm x 445mm)	1 ¹ / ₁₆ " (49mm)	2 ¹ / ₄ " (57mm)	3.5
71119	7 ⁷ / ₈ " x 16 ¹ / ₁₆ " (200mm x 408mm)	8 ¹ / ₁₆ " x 17 ¹ / ₁₆ " (227mm x 435mm)	11" x 19" (279mm x 483mm)	1 ¹ / ₁₆ " (49mm)	2 ¹ / ₄ " (57mm)	3
71320	9 ⁷ / ₁₆ " x 17 ¹ / ₁₆ " (251mm x 433mm)	10 ¹ / ₁₆ " x 18 ¹ / ₁₆ " (278mm x 460mm)	13" x 20" (330mm x 508mm)	1 ¹ / ₁₆ " (49mm)	2 ¹ / ₄ " (57mm)	3.5
7924	5 ⁷ / ₈ " x 17 ¹ / ₁₆ " (149mm x 433mm)	6 ¹ / ₁₆ " x 22 ¹ / ₁₆ " (278mm x 562mm)	9" x 24" (229mm x 610mm)	1 ¹ / ₁₆ " (49mm)	2 ¹ / ₄ " (57mm)	3
7912	5 ⁷ / ₈ " x 21 ¹ / ₁₆ " (149mm x 535mm)	6 ¹ / ₁₆ " x 10 ¹ / ₁₆ " (176mm x 257mm)	9" x 12" (229mm x 305mm)	1 ¹ / ₁₆ " (49mm)	2 ¹ / ₄ " (57mm)	2.5
71621	12 ⁷ / ₈ " x 18 ¹ / ₁₆ " (327mm x 459mm)	13 ¹ / ₁₆ " x 19 ¹ / ₁₆ " (354mm x 486mm)	16" x 21" (406mm x 533mm)	1 ¹ / ₁₆ " (49mm)	2 ¹ / ₄ " (57mm)	4.5
71336-T	9 ⁷ / ₁₆ " x 33 ¹ / ₁₆ " (251mm x 840mm)	10 ³ / ₁₆ " x 34 ¹ / ₁₆ " (278mm x 867mm)	13" x 36" (330mm x 914mm)	1 ¹ / ₁₆ " (49mm)	2 ¹ / ₄ " (57mm)	6
71624	12 ⁷ / ₈ " x 21 ¹ / ₁₆ " (327mm x 535mm)	13 ¹ / ₁₆ " x 22 ¹ / ₁₆ " (354mm x 562mm)	16" x 24" (406mm x 610mm)	1 ¹ / ₁₆ " (49mm)	2 ¹ / ₄ " (57mm)	5



ACCESS HATCH features

- « Black, white, glacier white, or silver.
- « Molded of high impact UV stable polypropylene.
- « Clean textured lid.
- « Low profile.
- « No screws visible from the exterior.
- « 180° opening.
- « Strong lid with support bars.
- « Double gasket for optimum sealing.
- « New patented easy opening, easy closing slam latch standard.
- « Positive twist latch also available.
- « 71336-T only available with positive twist latch (T-handle).



**BOMAR
BOWVB**



Photo Credit: Sea Ray Boats

INSPECTION HATCH features

Hatch No.	I.D. Opening	Cut Out Size	O.D. Size	Weight Lbs.	O.D. of Radius	Optional Lock
8711	7" x 11"	8 ³ / ₁₆ " x 12 ¹ / ₁₆ "	10 ¹ / ₄ " x 14 ¹ / ₄ "	2"	Yes	Yes
8812	8 ¹ / ₂ " x 11 ³ / ₈ "	10 ³ / ₁₆ " x 12 ¹ / ₁₆ "	12 ¹ / ₂ " x 15 ¹ / ₂ "	2.5"	Yes	Yes
81020	9 ³ / ₄ " x 19 ¹ / ₂ "	12 ¹ / ₈ " x 21 ¹ / ₈ "	13 ³ / ₄ " x 23 ¹ / ₂ "	4.5"	Yes	Yes
81618	14" x 16"	16 ¹ / ₄ " x 17 ³ / ₈ "	18 ¹ / ₂ " x 20 ³ / ₁₆ "	5"	Yes	Yes
81030	9 ³ / ₄ " x 26 ³ / ₄ "	11 ³ / ₈ " x 28 ³ / ₈ "	14" x 31"	6"	Yes	Yes

- « Molded low profile.
- « T-handle for easy operation.
- « Stainless steel hinge pins.
- « UV stabilized resin.
- « Black, off-white, or stark white.
- « Non-skid surface.
- « Flush mounting.
- « Also available in cast aluminum sizes (see page 35).

4" Deck Plates - Screw-In-Center ("O" Ring Seal) Without Non-Skid

No.	3 ¹ / ₄ " I.D., 5 ³ / ₄ " O.D., Cut Out 4 ¹ / ₄ "
800	Off-White
800W	Stark-White
802	Black

6" Deck Plates - Non-Skid Press-In-Center ("O" Ring Seal)

No.	5 ¹ / ₄ " I.D., 7 ¹ / ₂ " O.D., Cut Out 6 ¹ / ₂ "
820	Off-White
820W	Stark-White
821	Black

6" Deck Plates - Screw-In-Center ("O" Ring Seal) Without Non-Skid

No.	5 ³ / ₄ " I.D., 8 ¹ / ₁₆ " O.D., Cut Out 6 ³ / ₈ "
824	Off-White
824W	Stark-White
825	Black

8" Deck Plates - Non-Skid Press-In-Center ("O" Ring Seal)

No.	7 ⁵ / ₈ " I.D., 9 ⁹ / ₁₆ " O.D., Cut Out 8 ¹ / ₂ "
831	Off-White
831W	Stark-White
832	Black

8" Deck Plates - Non-Skid Locking Center ("O" Ring Seal)

No.	7 ⁵ / ₈ " I.D., 10 ¹ / ₁₆ " O.D., Cut Out 8 ¹ / ₂ "
840	Off-White
840W	Stark-White
841	Black

10" Deck Plates - Non-Skid Locking Center ("O" Ring Seal)

No.	9 ¹ / ₄ " I.D., 12 ¹ / ₂ " O.D., Cut Out 10 ¹ / ₂ "
844	Off-White
844W	Stark-White
845	Black

DECKPLATES features

- « UV stabilized resin.
- « Black, off-white, or stark white.
- « "O" ring seal.



6" Deck Plates - Non-Skid Locking Center ("O" Ring Seal)

No.	5 ³ / ₄ " I.D., 8 ³ / ₈ " O.D., Cut Out 6 ³ / ₈ "
836	Off-White
836W	Stark-White
837	Black



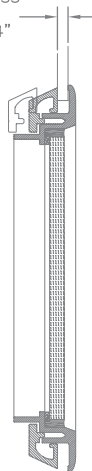
Photo Credit: Chris Craft

ALUMINUM

Bomar CUSTOM



HULL THICKNESS RANGE
1/4" TO 3/4"

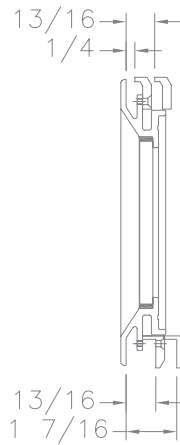


Light Weight
Clamp Ring System

HULL THICKNESS RANGE
3/4" TO 1-1/4"



13/16
1/4



13/16
1 7/16

2000 Series
Clamp Ring System

HULL THICKNESS RANGE:
1-1/4" MIN [31.8]
1-3/4" MAX [44.5]



Heavy Weight
Clip System

CUSTOM ALUMINUM features

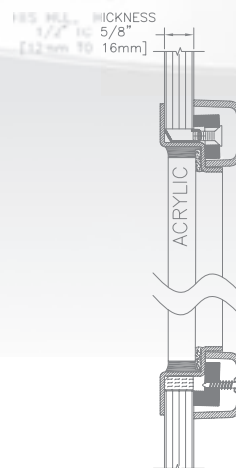
- « Bent & Stretch Form production for a multitude of angles and shapes.
- « Powder coat, clear anodized and polished finishes.
- « Light weight clamp ring designs.
- « Heavy weight system for larger applications.
- « No exterior fasteners.
- « Acrylic or tempered glass.

S e r i e s



SS STRETCH FORM features

- « Stretch Form production for a multitude of angles and shapes.
- « Polished 316L stainless steel exterior frame.
- « Installation clip system, no exterior fasteners.
- « Vacuum form interior trim ring to cosmetically blend to liners.



FIXED SS FLAGSHIP features

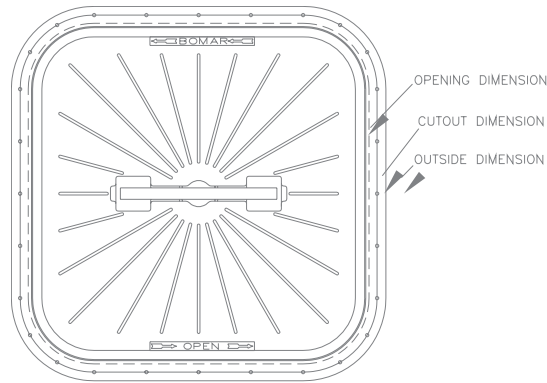
- « Stamped and polished stainless steel exterior.
- « Stamped and polished stainless steel interior clamp ring.
- « No exterior fasteners.
- « Acrylic lens.



Custom SS Series

Fixed Parallelogram Portlight #	Clear View		Cutout		OD Port		OD Trim	
SZ0812	5 ¹ / ₈ " 129mm	9 ¹ / ₈ " 236mm	8 ³ / ₈ " 207mm	12 ¹ / ₈ " 315mm	9 ¹ / ₈ " 234mm	13 ¹ / ₈ " 341mm	9 ¹ / ₈ " 234mm	13 ¹ / ₈ " 341mm
SZ1225	9 ¹ / ₈ " 230mm	21 ¹ / ₈ " 552mm	12 ¹ / ₈ " 309mm	24 ¹ / ₈ " 631mm	13 ¹ / ₈ " 335mm	25 ¹ / ₈ " 656mm	13 ¹ / ₈ " 335mm	25 ¹ / ₈ " 656mm
SZ1317	10 ¹ / ₈ " 255mm	14 ¹ / ₈ " 361mm	13 ¹ / ₈ " 335mm	17 ¹ / ₈ " 440mm	14 ¹ / ₈ " 360mm	18 ¹ / ₈ " 466mm	14 ¹ / ₈ " 360mm	18 ¹ / ₈ " 466mm

COMMERCIAL GRADE Series



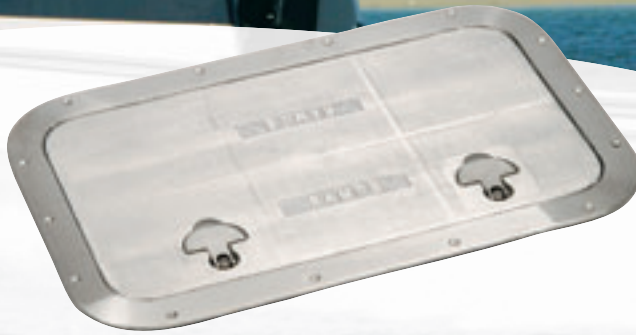
Commercial Grade Series

Hatch No.	Description	Opening		Cut Out		O.D. of Deck Flange		Extends Below Deck		Weight Lbs.
		in	mm	in	mm	in	mm	in	mm	
Non-Hinged										
412	Round	12	(305)	14 $\frac{1}{8}$	(380)	18 $\frac{1}{2}$	(470)	4	(102)	20
415	Round	15	(380)	18	(455)	21 $\frac{1}{2}$	(545)	7 $\frac{1}{4}$	(185)	23
418	Round	18	(455)	21	(535)	24 $\frac{1}{2}$	(622)	7 $\frac{1}{4}$	(185)	28
420	Round	20	(508)	23	(585)	26 $\frac{1}{2}$	(675)	7 $\frac{1}{4}$	(185)	32
424	Round	24	(610)	27	(685)	30 $\frac{1}{2}$	(770)	7 $\frac{1}{4}$	(185)	40
41218	Oval	12 $\frac{3}{8}$ x 18 $\frac{1}{4}$	(310 x 464)	14 $\frac{1}{8}$ x 21	(380 x 534)	18 $\frac{1}{8}$ x 24 $\frac{3}{4}$	(475 x 629)	5 $\frac{1}{2}$	(143)	27
41524	Oval	15 x 24	(380 x 610)	17 $\frac{3}{8}$ x 26 $\frac{3}{4}$	(450 x 680)	21 $\frac{3}{8}$ x 30 $\frac{1}{2}$	(552 x 6756)	5	(127)	34
42424	Square	24 x 24	(610 x 610)	27 x 27	(685 x 685)	31 x 31	(787 x 787)	7 $\frac{1}{4}$	(185)	45
43636	Square	36 $\frac{1}{2}$ x 36 $\frac{1}{2}$	(918 x 918)	39 $\frac{1}{2}$ x 39 $\frac{1}{2}$	(994 x 994)	43 $\frac{1}{4}$ x 43 $\frac{1}{4}$	(1098 x 1098)	7 $\frac{1}{4}$	(185)	90
Hinged										
41524-H	Oval	15 x 24	(380 x 610)	20 $\frac{1}{2}$ x 26 $\frac{3}{4}$	(520 x 568)	23 $\frac{1}{2}$ x 30 $\frac{1}{2}$	(597 x 775)	5	(127)	34
424-H	Round	24	(610)	26 $\frac{3}{4}$ x 29	(680 x 737)	30 $\frac{1}{2}$ x 32	(775 x 813)	7 $\frac{1}{4}$	(185)	49
42424-H	Square	24 x 24	(610 x 610)	27 x 27	(685 x 685)	31 x 32 $\frac{1}{2}$	(787 x 829)	5	(127)	52

FLUSH WATERTIGHT HATCHES

features

- « Cast Almag-35.
- « Stainless steel t-handle (except 412).
- « Steel ring available.
- « Inside/Outside opening standard (except 412).
- « 1/4" height off mounting surface.
- « Optional powder coating available.

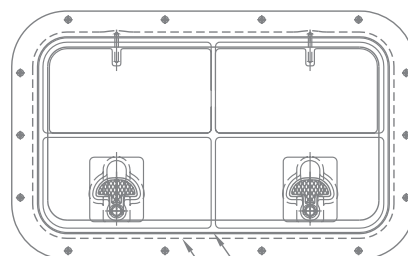


Hatch No.	Description	Opening		Cut Out		O.D. of Deck Flange		Extends Below Deck		Weight Lbs.
		in	mm	in	mm	in	mm	in	mm	
T-Handle										
4812	Rectangle	11 $\frac{1}{4}$ x 8 $\frac{3}{16}$	(28 x 224)	12 $\frac{1}{2}$ x 10 $\frac{3}{4}$	(327x273)	15 $\frac{1}{8}$ x 13 $\frac{1}{8}$	(389x335)	$\frac{1}{2}$	(13)	7
41020	Rectangle	19 $\frac{1}{4}$ x 10 $\frac{1}{16}$	(489x256)	21 x 12	(533x304)	24 $\frac{1}{8}$ x 14 $\frac{1}{8}$	(621x367)	$\frac{1}{2}$	(13)	12
41416	Rectangle	15 $\frac{3}{4}$ x 13 $\frac{3}{16}$	(400x344)	17 $\frac{3}{8}$ x 15 $\frac{1}{16}$	(448x398)	20 $\frac{1}{8}$ x 18 $\frac{1}{8}$	(511x460)	$\frac{1}{2}$	(13)	12
4806	Round	5 $\frac{3}{16}$	(132)	6 $\frac{1}{8}$	(162)	8 $\frac{1}{8}$	(213)	$\frac{1}{2}$	(13)	3
4808	Round	7 $\frac{15}{16}$	(185)	8 $\frac{1}{2}$	(216)	10 $\frac{1}{16}$	(248)	$\frac{1}{2}$	(13)	3
4810	Round	9 $\frac{1}{4}$	(235)	10 $\frac{1}{4}$	(267)	12 $\frac{1}{2}$	(318)	$\frac{1}{2}$	(13)	4
Bolt Down										
4B08	Round	8	(204)	10 $\frac{1}{4}$	(260)	12	(305)	2 $\frac{1}{2}$	(67)	7
4B18	Round	18 $\frac{1}{4}$	(463)	22 $\frac{1}{4}$	(540)	25 $\frac{1}{4}$	(641)	2 $\frac{1}{4}$	(57)	22
4B1524	Oval	15 x 24	(380x680)	19 $\frac{1}{2}$ x 28 $\frac{1}{4}$	(495x720)	22 $\frac{1}{2}$ x 31 $\frac{1}{4}$	(575 x 795)	2 $\frac{1}{2}$	(57)	30

ALUMINUM INSPECTION HATCHES & DECKPLATES

features

- « Almag-35.
- « Low Profile.
- « Non skid surface.
- « Locking T-handle.
- « Removable lid for easy access.
- « Optional powder coating.



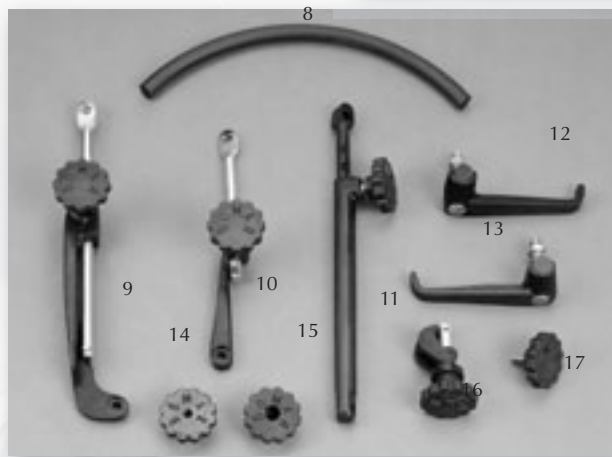
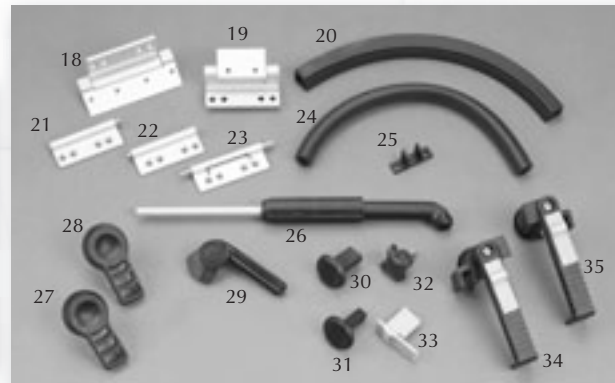
CUTOUT DIMENSION — OPENING DIMENSION
— OUTSIDE DIMENSION



Spare Parts

Item#	Part#	Description
1	GP909-03	Riser arm
2	P2000-27	Mushroom cap
3	P2000-12	Q.D. Lock button, grey
4	GP901-01	Old style latch dog assembly
5	GP902-03	Knob for old style riser arm
6	GP911-01	Left hatch dog assembly
7	GP911-02	Right hatch dog assembly
8	P100-52	9/16" gasket
9	P100-21	Left riser arm (P100-20=right)
10	P2000-10	Riser arm for 130, 500
11	P100-00	Riser arm for cast
12	P100-19	Right Q.D. for cast
13	P100-18	Left Q.D. for cast
14	P100-08	Female knob (5/16")
15	P100-07	Female knob (3/8")
16	P100-09	Latch dog assembly
17	P100-06	Male knob (5/16")
18	P2000-44	4" hinge
19	P2000-20	3" hinge
20	P2000-26	Hi profile gasket
21	P2000-100	Right hinge contour (non-removable lid)
22	P2000-101	Left hinge contour (non-removable lid)
23	P2000-102	Hinge for contour (removable lid)
24	P2000-25	Low profile gasket

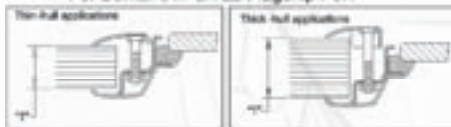
Item#	Part#	Description
25	P2000-30	Bracket for MK11 tie down
26	P2000-75	Right riser arm (Specify length of aluminum rod, P2000-76=left)
27	P2000-86	I/O cap for P2000-52 & P2000-53
28	P2000-103	I/O cap for P2000-33 & P2000-34
29	P2000-17	K Dog (left or right)
30	P2000-104	Mushroom cap for P2000-33 & P2000-34
31	P2000-27	Mushroom cap for P2000-52 & P2000-53
32	P2000-31	Male knob for old style riser arm
33	P2000-12	Q.D. lock button, grey
34	P2000-52	Left latch dog assembly
35	P2000-53	Right latch dog assembly
36	P2000-105	Inner gasket for offshore
37	P2000-107	Inner gasket for cruising
38	P2000-05	Outer gasket for offshore
39	P2000-48	Outer gasket for cruising
40	P2000-109	Hinge for offshore
41	P2000-110	Hinge for cruising
42	P2000-33	Left latch dog assembly
43	P2000-34	Right latch dog assembly
44	NEW ITEM!	I/O Cap for Contour Dog - White
45	NEW ITEM!	I/O Cap for Contour Dog - Black
46	NEW ITEM!	Contour Dog (non-locking)
47	NEW ITEM!	Contour Dog (locking)



Product Fastener Selection Guide

Product Line	PG #	Mounting Fastener	Fastener Notes
100 Series Cast Hatches	1	1/4" Flat-head	
190 Series Cast Hatches	2	1/4" Flat-head	
CRX Hatches	3	#10-24 Pan-head	
Low Profile Extruded	4-6	#10 or M5 Flat-head	
Low Profile A&P	4-6	#10 or M5 Flat-head	
Custom Hatches	4-6	#10 or M5 Flat-head	
High Pro Extruded	7	#10 or M5 Flat-head	
Sea Breeze Offshore/Cruising	8	#10 or M5 Flat-head	
Stainless Voyager	9, 10	#10 or M5 Flat-head	
900 Series	11	#10 or M5 Pan-head	
Sea Breeze Shades	12	#8 or M4 Pan-head	
Trim & Screens	13		
Cast Portlight	14	1/4" Flat-head	
2000 Extruded Port	15	#10-24 Flat-head	
3000, 4000, & 5000 Ext. Portlight	16	#10-24 Pan-head	
6000 Extruded Port	17	#10-24 Pan-head	
Stainless Flagship	18, 19	#8-32 Flat-head (except 722 is #10-24)	See Fig. A&B for Length
Premier Series	20, 21	#10-24 Flat-head	See Figure A for Length
Passage Series Port	22	#8-32 Flat-head	See Figure B for Length
Stainless Classic Series	23	#8-32 Flat-head	See Figure A for Length
Gray Series	25	#10 or #8, M5 or M4 Pan-head/Flat-head	See Figure C for Length
Access Hatches	26	#10 Flat-head	
Inspection Hatches	27	#10 Flat-head	
Deck Plates	26	#8 or M4 Pan-head, Sheet-metal type	
Interior Doors Systems	32, 33	#10 Flat-head	
Commercial Watertight Hatches	34	1/4" Flat-head	
Commercial Inspection Hatches and Deck Plates	35	1/4" Flat-head	

Fastener Selection Chart
For Bomar 517 & 722 Flagship Port



Thickness "T"	Screw Length	Trimring
3/8" to 7/16"	1/2"	Thin-hull
7/16" to 1/2"	3/4"	Thin-hull
1/2" to 5/8"	1"	Thin-hull
5/8" to 1-1/8"	1-1/4"	Thin-hull
1-1/8" to 1-1/4"	1-1/2"	Thin-hull

Fastener Selection Chart
For Bomar 516 Flagship Port



Always use #8 - 32 screws

Thickness "T"	Screw Length	Trimring
1/4" to 3/8"	3/4"	Thin-hull
3/8" to 1/2"	1"	Thin-hull
1/2" to 5/8"	1-1/4"	Thin-hull
5/8" to 1-1/8"	1-1/2"	Thin-hull
1-1/8" to 1-1/4"	1-1/2"	Thin-hull

Fastener Selection Chart
for Gray Plastic "Flagship Series" Portlights



Designed for #8 or #10 screws
Always use #8 or #10 screws
Always use #8 or #10 screws

Thickness "T"	Screw Length	Trimring
3/8" to 1/2"	3/4" (20mm)	Thin-hull
1/2" to 5/8"	1" (25mm)	Thin-hull
5/8" to 1-1/8"	1-1/4" (30mm)	Thin-hull
1-1/8" to 1"	1-1/4" (30mm)	Thin-hull
1" to 1-1/8"	1-1/2" (38mm)	Thin-hull
1-1/8" to 1-1/4"	1-1/2" (38mm)	Thin-hull