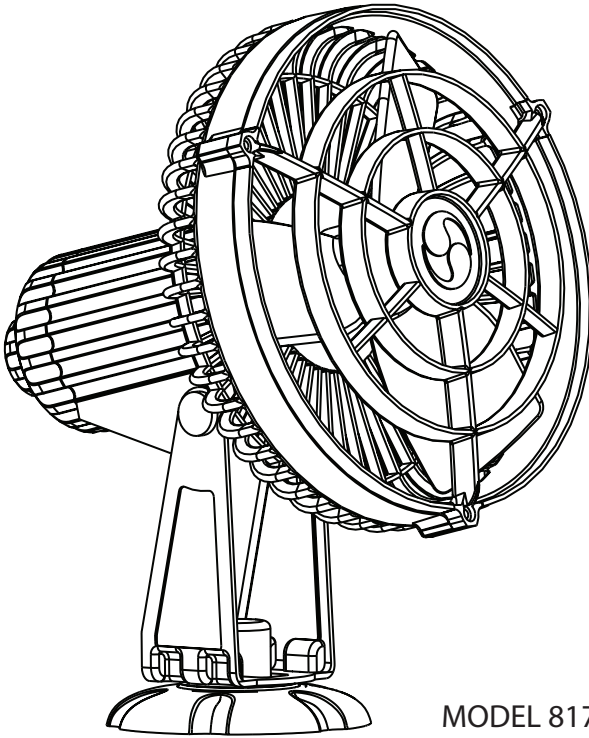




Kona

WEATHERPROOF MARINE FAN

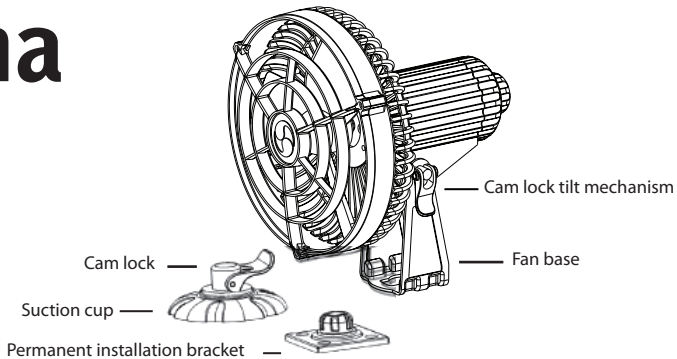


MODEL 817CA



817CA-WBX white 12 V
817CA24-WBX white 24 V

Kona



Thank you for purchasing a Caframo Kona Fan Read and Save these Instructions

Installation: Remove permanent installation bracket from fan base.

For quick mounting apply moistened suction cup to a clean dry flat surface for best adhesion. Feed cam lock through fan base, rotate the fan 90 ° and lock suction cup into position.

For permanent installation use four # 8 machine screws (not included) to mount installation bracket and screw down fan base.

Operation: The blade must be clear of any obstructions that would cause the blade to jam. Secure cam lock tilt mechanism in position before turning on. Rotate control knob clockwise to increase speed. Rotate control knob counter clockwise to turn off.

Care and Maintenance: Do not use suction cup if severe jarring conditions exist. Can be used outdoors, resists splashing. Do not immerse in water.

Warning: Do not position too close to any objects that may be drawn into the blades and stop the air flow.

Do not use if power supply cord becomes frayed or brittle.

Do not use gasoline, thinners or other harsh chemicals to clean fan.

Do not use near fireplaces, furnaces, stoves or high temperature heat.

Specifications

Current Draw - 12 volts: 0.21, 0.26 and 0.37 amps (3 speed)

24 volts: 0.11 to 0.18 amps (Variable speed)

Ingress Protection Rating: IP55 against dust and spray