



CAUTION:
READ THIS MANUAL CAREFULLY
BEFORE OPERATING YOUR NEW
CANNON® DOWNRIGGER.
RETAIN FOR FUTURE REFERENCE.



UNI-TROLL 10TS



UNI-TROLL 10



UNI-TROLL 5

OWNER'S MANUAL

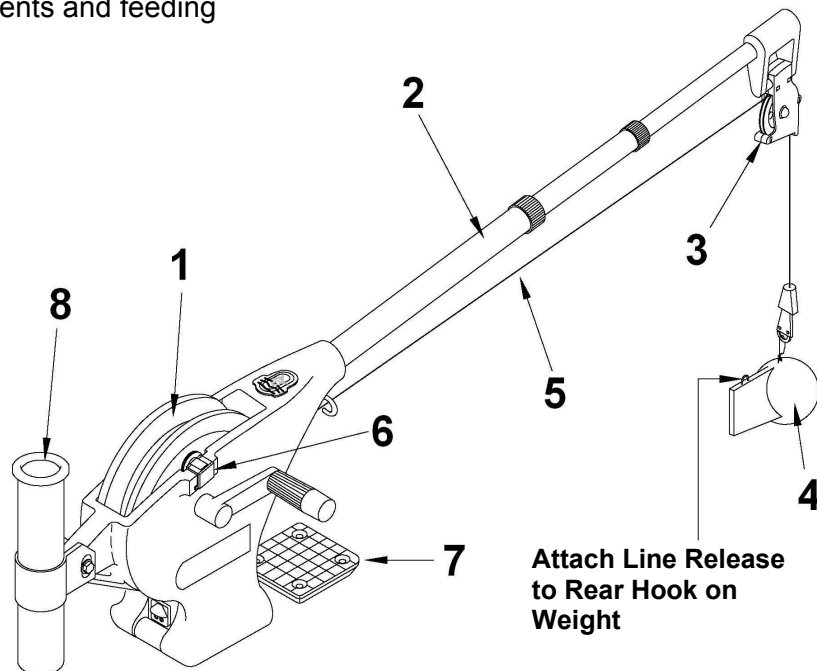
Introduction to Controlled Depth Fishing

Undoubtedly there are many fishermen familiar with the methods and use of controlled depth fishing. During the mid 1960's the state of Michigan introduced Pacific salmon into the Great lakes in an attempt to revitalize its sport fishing industry. From this successful transplant, new fishing techniques and equipment were developed. One such method was controlled depth fishing which enabled fishermen to place a lure at a desired depth by utilizing downriggers.

Because of the varying factors (water temperature, thermocline, weather, tides, time of day, or time of year) it is necessary for successful fishing to maintain specific water depths that coincide with fish movements and feeding patterns.

One essential feature of the downrigger is the depth meter or gauge that indicates lure depth. This allows the angler to control as well as return to specific depths where fish have been caught.

Due to the success of controlled depth fishing, downriggers are now being used throughout the world to catch a wide variety of species in both fresh and salt water. Whether fishing for blues off Rhode Island, walleyes in Lake Erie, sailfish off the coast of Florida, or stripers in Tennessee, the use of downriggers will make your fishing more successful and more enjoyable.



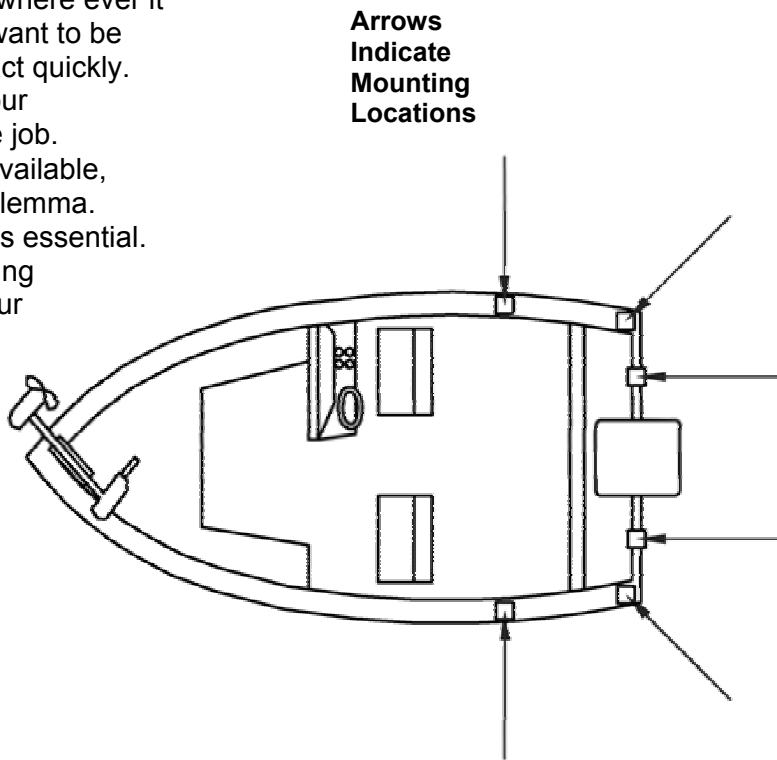
Parts Description

1. **Reel** This is used to spool the cable, available in lengths ranging from 150 to 400 feet.
2. **Boom** This is used to extend the weight out from the body of the downrigger and has a pulley fixed to its end. Boom lengths range from 24 to 53 inches.
3. **Swivel Head** This relays the cable at the end of the boom to lower the weight.
4. **Weight** This is used to maintain the depth at which you want to fish. Sizes of weights range from 4 to 20 lbs.
5. **Cable** This connects to the weight. Cable material is 150 lb. test stainless steel cable.
6. **Depth Meter** This determines how much cable you have run out, enabling you to choose your trolling depth.
7. **Mounting Base** This attaches to the boat, enabling you to place the downrigger where you choose.
8. **Rod Holder** This holds your fishing rods while trolling and may also be used for storing rods.

Downrigger Mounting on Boats

A downrigger should be mounted where ever it is easy to operate and observe. You want to be able to see your fishing rod and to react quickly. So, choosing a good spot to mount your downrigger on your boat is 99% of the job.

Due to the great variety of boats available, mounting your downrigger can be a dilemma. Having proper mounting accessories is essential. Cannon has a complete line of mounting accessories to conveniently mount your downriggers on any boat.

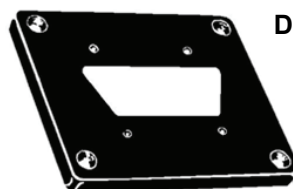


Mounting Accessories

Deck Plates are necessary when extra strength must be added to the base material of the boat and for attaching the downrigger to other mounting accessories.

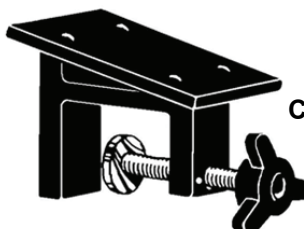
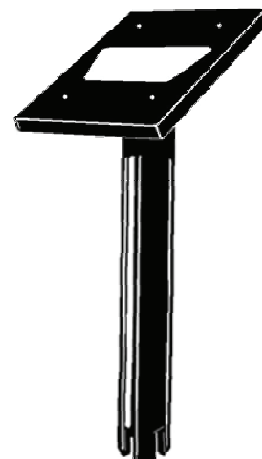
Gimbal Mounts are designed to fit medium-sized flush mounted rod holders built into the gunwale of many larger fishing boats and cruisers. Only sturdy, high quality rod holders should be used for this temporary mounting system. Gimbal mounts are available in 9" or 12" post lengths.

Clamp Mounts can be mounted at the junction of two rail sections with the aid of two 1/4" pieces of plywood. They will protect your rail from any marks from the clamp and provide a non-slip surface.



Deck Plate

Gimbal Mount



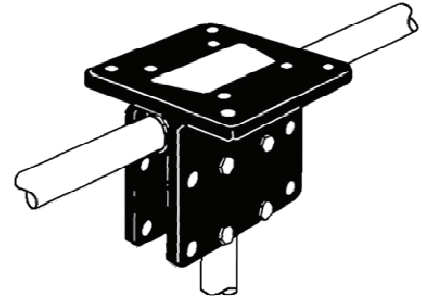
Clamp Mount

Side Rail Mounting

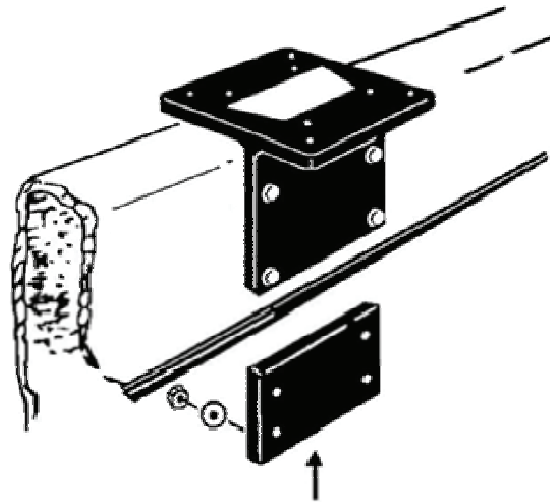
Side/Rail mounts can be mounted to a welded T-section. It can also be used at the two rail section butt joint. In both installations it is recommended to use a non-slip material, such as rubber or a thin wood sheet, between metal surfaces.

You can also use these for mounting to a very narrow side gunwale. There is a plate provided for back-up with bolts and washers. If the gunwale compartment is foamed in, then wellnuts should be used. It is also recommended to install two additional flat head screws through the top plate for stabilization (you will need to drill and countersink).

Side/Rail on T-Section



Side/Rail on Gunwale



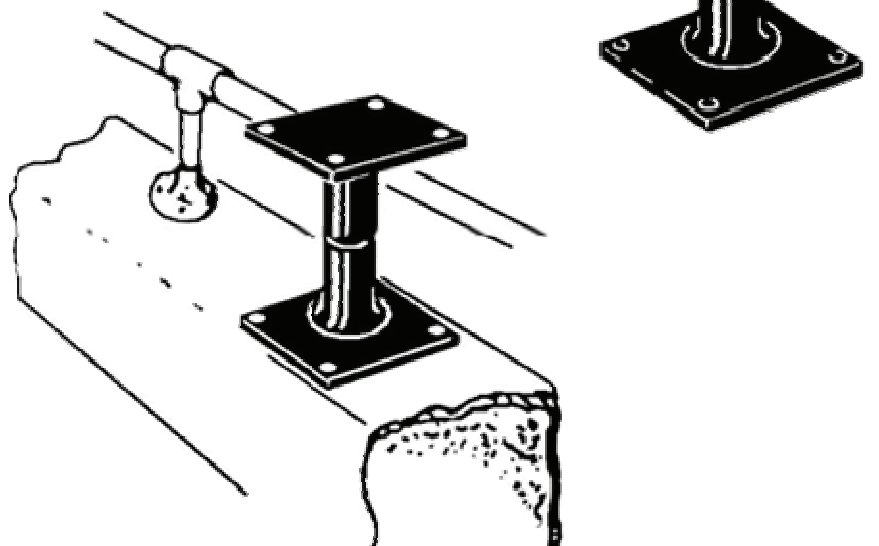
NOTE: In no case should this mount be used on fiberglass 1/4" thick or less unless it is foamed in.

Pedestal Mounting

Pedestals are used wherever additional height is needed for ease of operation or to clear obstructions, such as handrails.

Caution: When using a pedestal mount or side/rail mount, do not extend the telescopic boom on your Uni-Troll. The increased leverage will cause excessive strain and possible failure of the mount.

Pedestal for Additional Height



Installing the Base on Your Boat

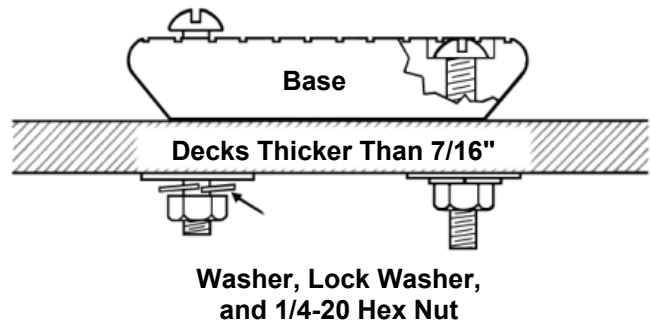
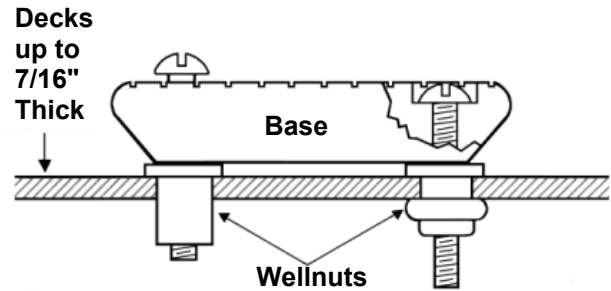
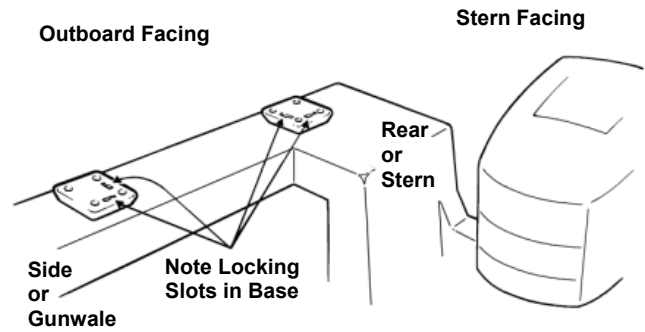
Decks up to 7/16" thick

Where access to the underside of the deck is not available, the mounting base can be mounted using wellnuts. Use the base as a template to mark locations and drill four 1/2" holes. Mount the base using four 1/4"-20 x 1 1/2" truss head screws and four wellnuts. Tighten the screws so the wellnuts are firmly compressed as pictured.

Decks thicker than 7/16"

For decks thicker than 7/16", or where the underside of the deck is accessible, mount the base with screws, nuts, and washers. Use the base as a template to mark the locations and drill four 9/32" holes. Use four 1/4" -20 x 2 1/2" truss head screws and four each flat washers, lock washers, and nuts. Fasten the base to the deck as pictured.

NOTE: Wellnuts **cannot** be used on decks thicker than 7/16".

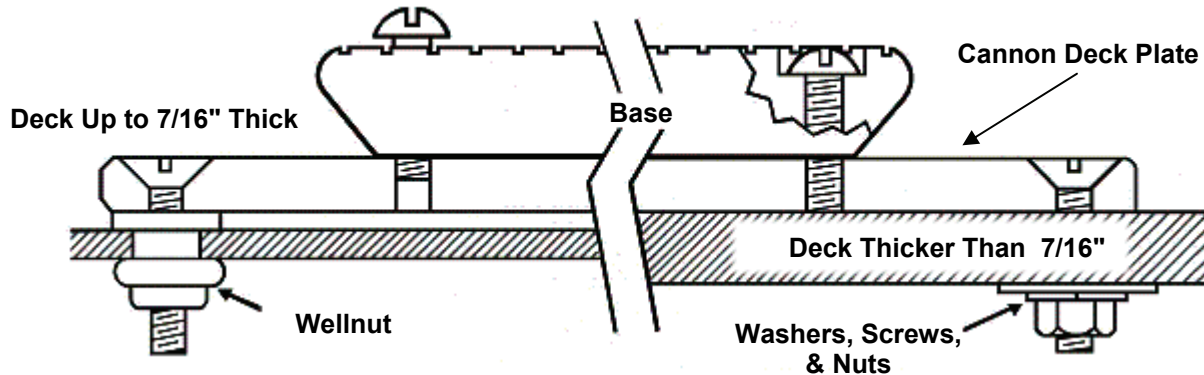


Decks thinner than 1/4"

Use a Cannon Deck Plate to prevent deflection and add stability to decks thinner than 1/4". Use the deck plate as a template to mark the hole locations.

If access to the underside of the deck is not available, the deck plate can be mounted using screws and wellnuts. Drill 1/2" holes. Use four 1/4"-20 x 2" flat head screws and four wellnuts to mount deck plate as pictured. Tighten the screws so the wellnuts are firmly compressed.

Where the underside is accessible, mount the deck plate using screws, nuts, and washers. Drill 9/32" holes. Use four 1/4"-20 x 2" flat head screws, nuts and washers (flat and lock). Fasten plate to deck as pictured. To secure the low-profile base to the deckplate use four 1/4"-20 x 1 1/2" truss head screws.

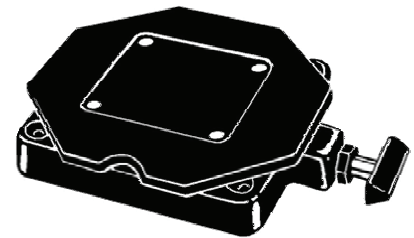


NOTE: When using the telescopic boom, we strongly recommend the use of a deck plate on all boats to provide adequate stability for the downrigger.

FOR Uni-Troll 10 and Uni-Troll 10 TS:

The **Low-Profile Swivel Base** mounting follows the same procedure as for the deck plate except that four 1/4"-20 x 1 1/2" truss head screws are used to fasten the mounting base and four additional 1/4"-20 x 2 1/2" truss head screws fix the swivel base to the boat deck.

Low-Profile Swivel Base

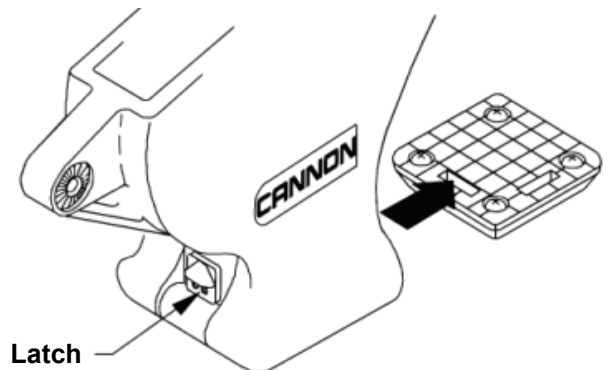


Mounting the Downrigger on the Base

Slide the bottom of the frame over the lip of the base, with the boom outboard or facing the stern. Move the frame over the base until the latch clicks into place. If properly seated, the frame should completely cover the base.

CAUTION: If not fully seated, your downrigger can be dislodged from the base.

Tip: Periodically check base to ensure integrity. The base should be replaced at least every 5 years.



Setting Up Your Downrigger

Attaching the Boom

Telescopic Boom

The intermediate section of the telescopic boom must be extended approximately 5" before the boom locking screw can engage the hole in the boom. Slip the boom end into the frame and align the holes. Secure with boom locking screw.

To adjust boom length, with the boom extending away from you, rotate clamps approximately 1/4 turn counter - clockwise to unlock, and slide boom section to desired position. To lock, rotate clamp clock-wise until tight.

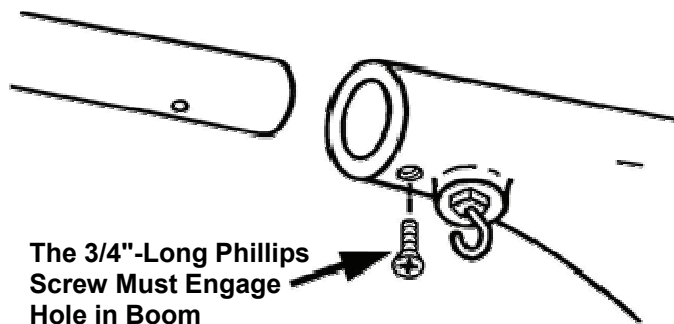
TIP: Whenever downriggers with boom lengths beyond 24" are used, **Cannon's Retro-Ease Weight Retriever** will make bringing in the weight safe and easy. It attaches to the cable below the boom end allowing you to pull the weight to yourself without having to lean way out or collapse the boom to reach the weight.

The **Standard 24 Inch Boom** inserts into the downrigger frame (see bottom diagram on page 7). Be sure that the boom is held securely by seating it firmly against the shoulder inside the frame and fastening the boom locking screw such that it engages the hole in the boom.

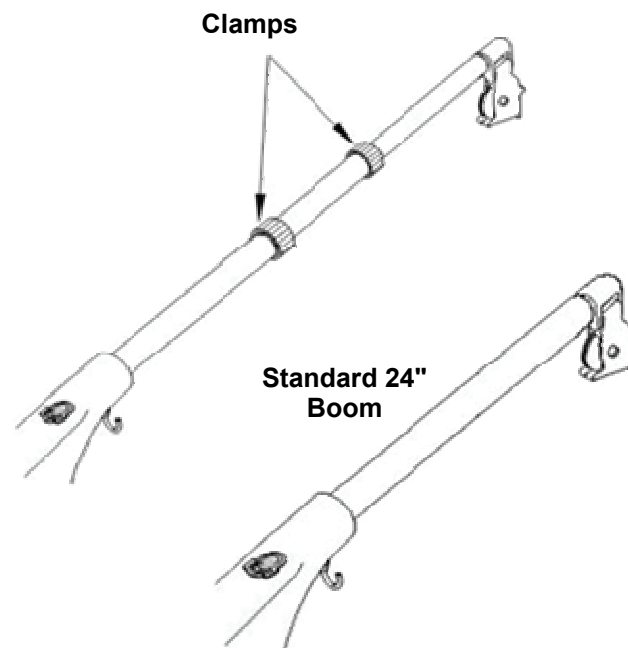
Assemble Swivel Head To Boom

Insert the telescopic boom-end into the boom-align holes and fasten in place with a #8 x 5/8" screw. Spread the swivel head side plates and slip the assembly over the boom end axle. Snap the assembly together and install two #4 x 1/2" screws into the swivel head.

TIP: Adjusting the angle of the boom head can help control cable wrap on the reel.

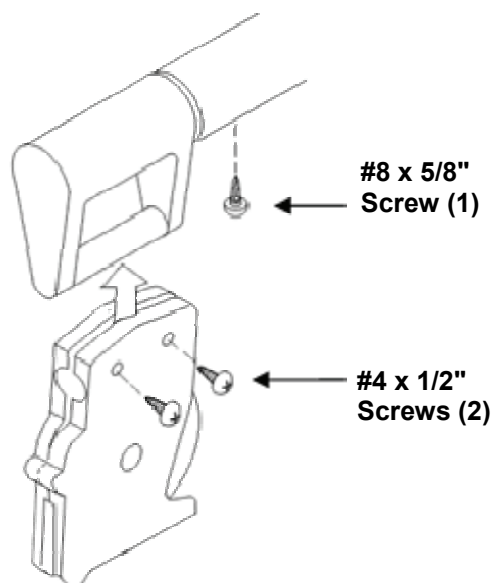


The 3/4"-Long Phillips Screw Must Engage Hole in Boom



Clamps

Standard 24" Boom



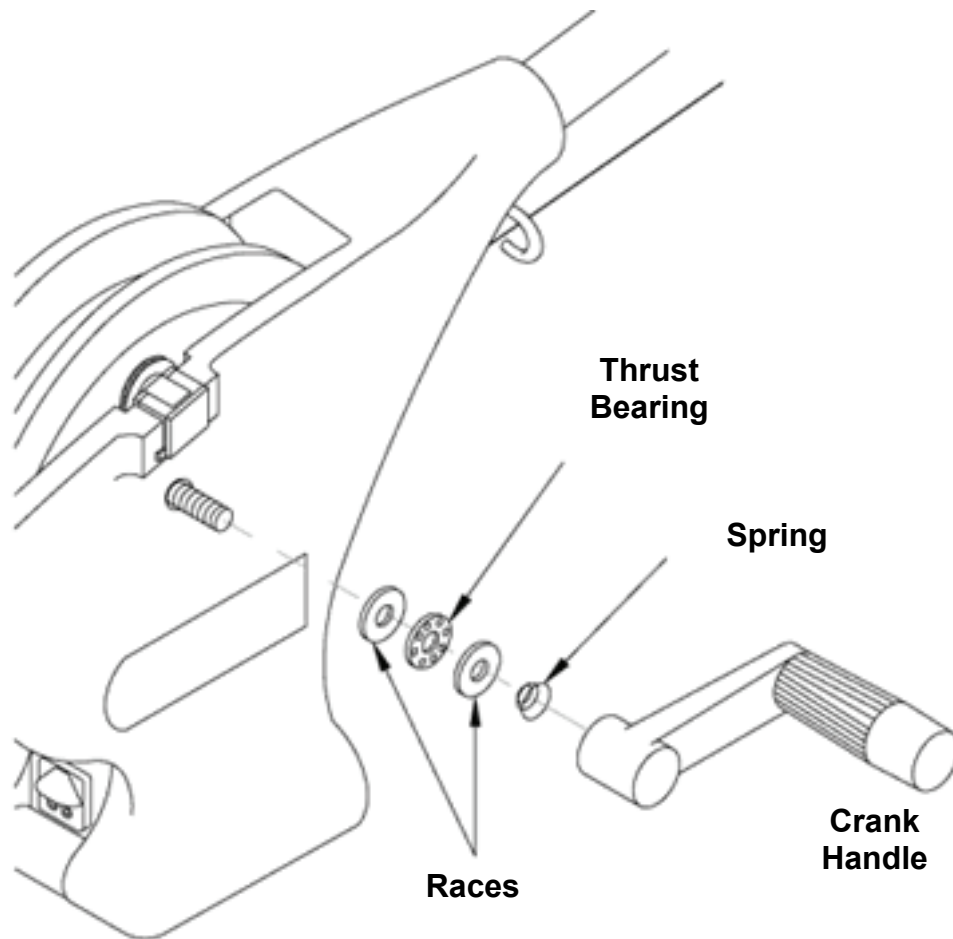
#8 x 5/8" Screw (1)

#4 x 1/2" Screws (2)

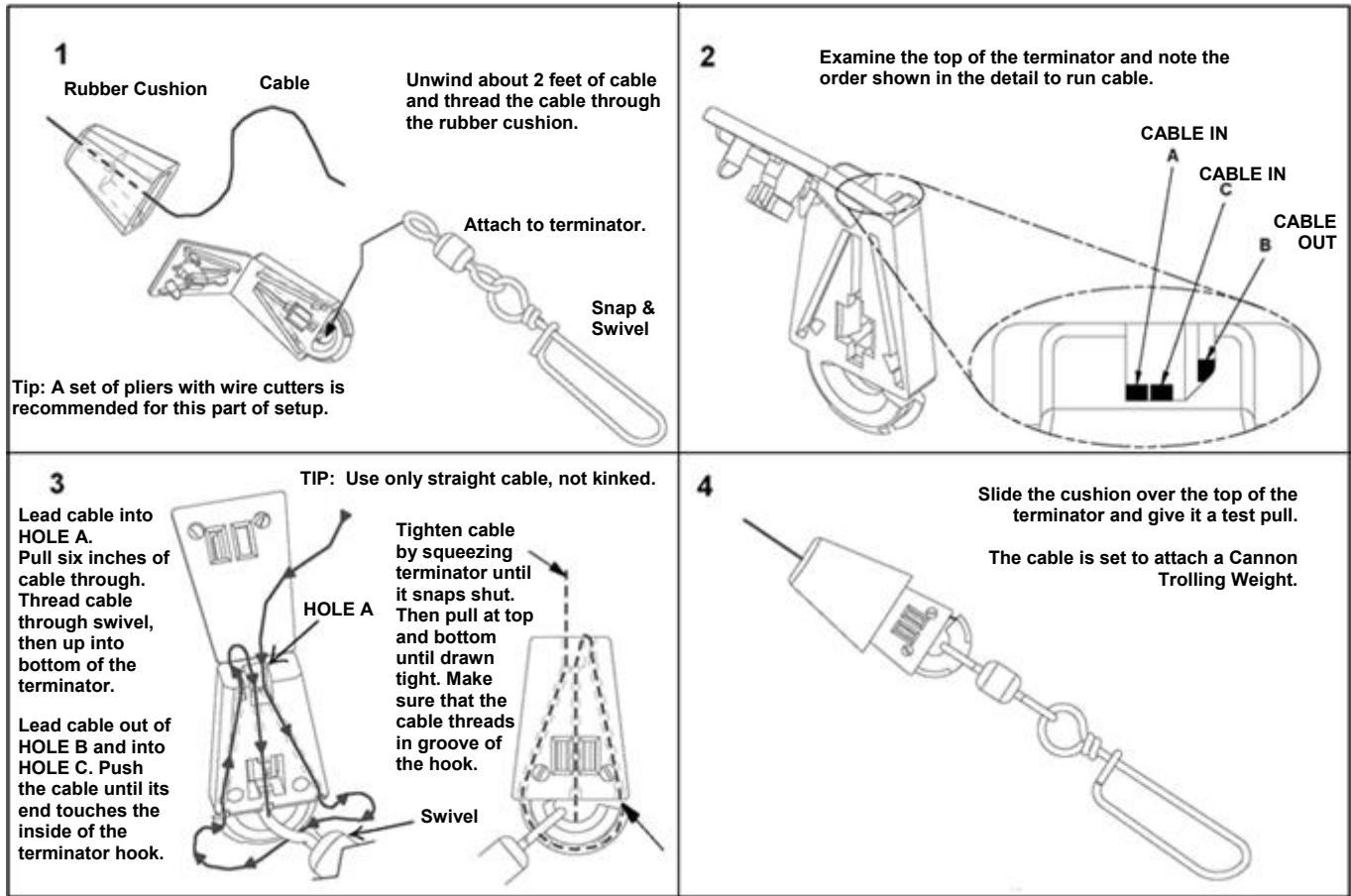
Attaching the Crank Handle Assembly

Make sure the thrust bearing is sandwiched between its two races. The thrust bearing spring should be oriented where the narrow end is toward the bearing. Slide the bearing with races and spring over the ratchet shaft. Then, carefully thread the crank handle onto the shaft and continue turning the handle clockwise until the clutch is fully tightened.

NOTE: Place your fingertip on the edge of the bearing and races. This allows the crank to be threaded more easily until the spring puts resistance on the clutch pad.



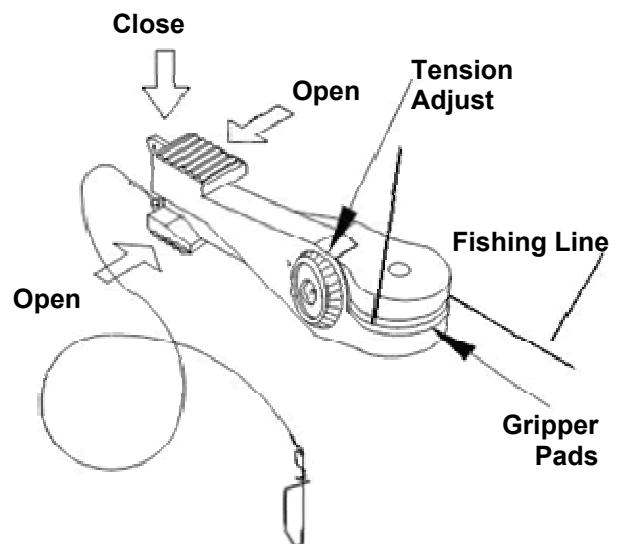
Terminating the Downrigger Cable



Cannon Uni-Release

The Cannon Uni-Release attaches directly to the downrigger weight. Attach fishing line to the clip at the end of the release, and then click through a series of increasing tension settings. The release can be used with any test line on salt or fresh water and may be adjusted from 2 to 22 pounds of grip tension on the line.

To change line release tension, turn tension knob to (+) to increase or (-) to decrease. Tension also may vary according to where the line is placed in the grips. Higher tension is on the line if it is set back toward the hinge, and lower if set closer to the opening. To open the release, spread the release arms with thumb and forefinger applying pressure to the sides.



Attaching the Rod Holder

The positive lock rod holder incorporates a locking disk that allows the rod holder to be aligned in 15 degree increments. Slide the rod holder tube into the clamp to the desired position within the recommended area (see below).

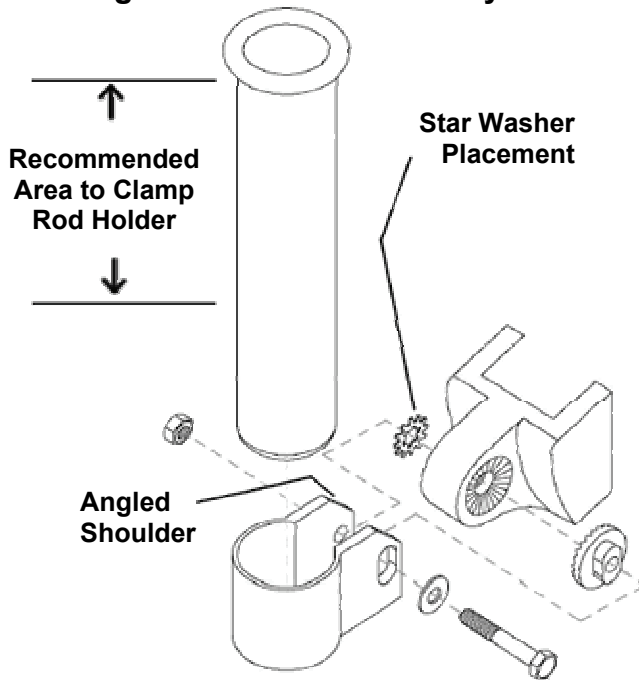
Be sure the angled shoulders are facing up. Place the locking disk into the mating recess of the frame.

Slip the clamp arms in place where the obround tab on the disk fits into the slot on the clamp. Slide the star washer between the arm of the clamp and the frame. Place the flat washer onto the bolt. Then insert the bolt with washer through the clamp by entering the disk, going through the frame, the star washer, and out the other side of the clamp. Tighten the nut to secure the rod holder. Reposition the rod holder by loosening the nut and adjusting the tilt.

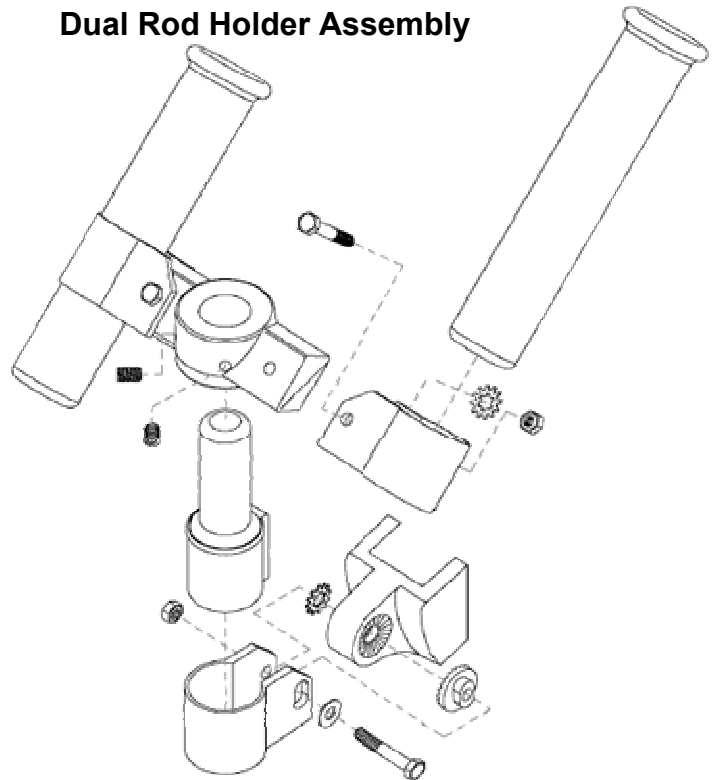
CAUTION: This rod holder is intended for use of up to 30 lb. test line only, and is not recommended for use with any tackle IGFA rated higher than 30 lb. A safety strap (not included) is recommended for all applications.

The rod holder assembly is not warranted when used with tackle above 30 lbs. Equipment placed in the rod holders and the loss thereof is the responsibility of the user and is in no way warranted by JOHNSON OUTDOORS, INC. Mounting must be in accordance with the above instructions and diagram to be warranted.

Single Rod Holder Assembly



Dual Rod Holder Assembly



Operating Your Downrigger

After mounting the Cannon downrigger to your boat, release some line from your rod and reel so that the lure is anywhere from 5 to 100 feet behind the boat. This is called drop back.

Attach the fishing line firmly into the line release. Lower the weight to the desired depth as indicated on the depth meter. Place the fishing rod in the rod holder and reel up the slack so that your rod has a slight bend in it. When a fish strikes the lure, the line will separate from the release. Then you will be free to fight the fish and bring it in on your rod and reel.

Lowering the Weight

You can lower the trolling weight at a controlled rate by turning the crank handle gently counterclockwise (away from the boom). Depending on how far you turn, you can let your trolling weight descend as fast or as slowly as you wish. Turn the crank handle clockwise (toward the boom) until it you hear a click to stop the weight. This gives you control to let it plunge rapidly or sink slowly to a predetermined trolling depth. With multiple downriggers, you could start all your weights creeping down, one at a time, and then stop them each in turn.

Raising the Weight

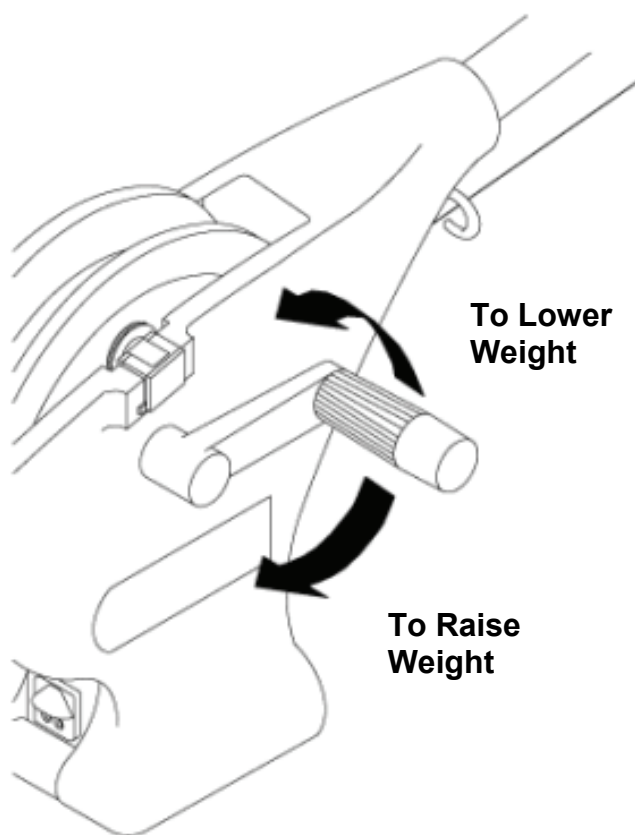
Turn the crank handle clockwise (toward the boom) as rapidly as you desire to retrieve the trolling weight.

Adjusting the Clutch Tension

The clutch is built into the crank mechanism. Turn crank handle clockwise to increase the drag and counterclockwise to reduce it.

NOTE: In case your reel continues to slip no matter how hard you tighten the crank see the Troubleshooting section of this booklet.

CAUTION: Remove weight from downrigger before traveling either by water or transporting on trailer.



Blowback

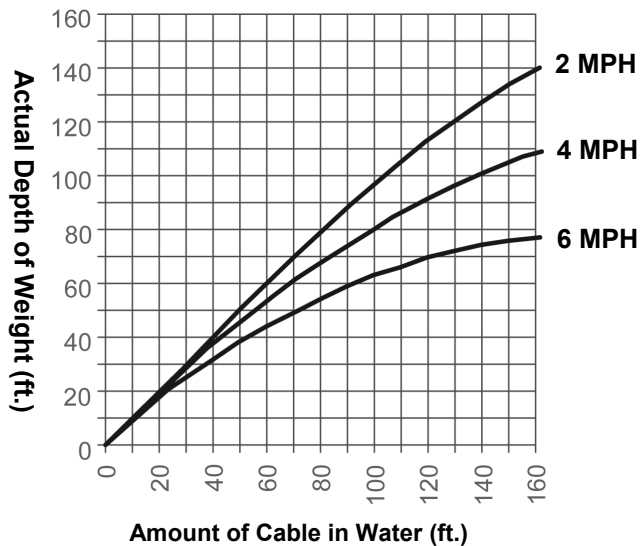
Simply stated, blowback is what happens to the downrigger weight when you pull it through the water behind your boat. As your speed increases, so does the horizontal distance between the weight and your downrigger. The faster you go, the farther the weight is behind you. The farther the weight is behind you, the shallower the weight is.

The following charts provide you with blowback information for three sizes of Cannon downrigger weights pulled at three different speeds with no lures attached and with no current. Current drag, water salinity and the use of non-Cannon products will affect your actual trolling depth.

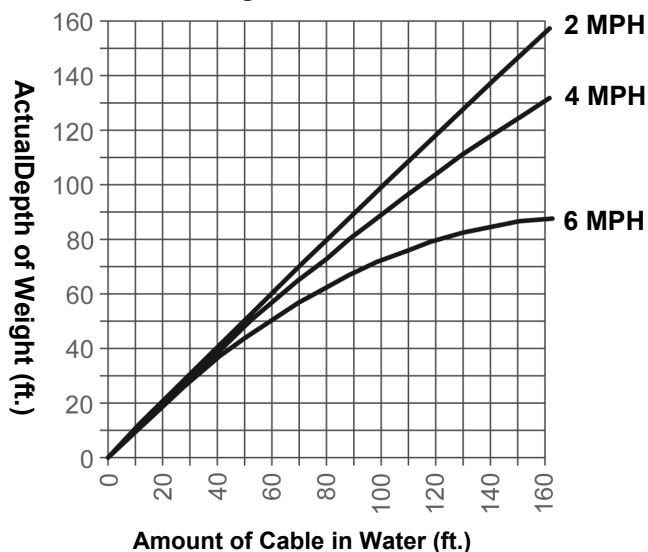
As an example, the first chart shows that if you are trolling at 4 MPH with an 8 pound weight and you have 100 FT. of cable in the water with no current; the downrigger ball is actually at a depth of about 80 FT.

Blowback Charts

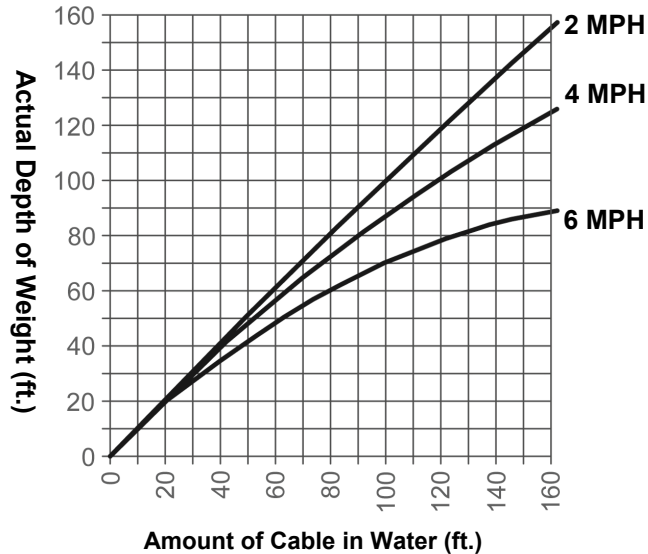
8-Lb. Weight at 2, 4, and 6 MPH



10-Lb. Weight at 2, 4, and 6 MPH



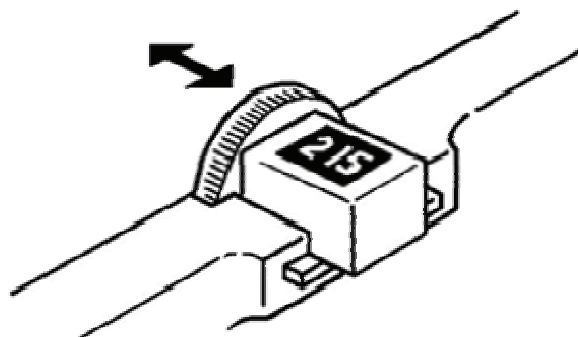
12-Lb. Weight at 2, 4, and 6 MPH



Adjusting the Depth Meter

The Cannon Depth Meter provides non-slip accuracy, plus easy resetting. To reset, just slide the meter away from the reel until the gears are disengaged. Spin meter gear to change setting.

NOTE: Actual fishing depth may vary from depth shown on meter due to trolling speed and weight of cannon ball. (See "Blowback")



Maintaining Your Downrigger

At the beginning of each fishing season and more often during periods of heavy usage, lightly grease the thrust bearing, reel shaft bearings, swivel head pulley, ratchet brake face, and ratchet dog. When using for saltwater fishing, thoroughly rinse the entire downrigger with fresh water after each trip and lubricate on a frequent basis. Replace the cable at least every two years.

For repairs or servicing your downrigger refer to the Warranty Information section of this booklet.

Trouble Shooting

PROBLEM:

Clutch slips

SOLUTION:

The set screw in the reel may have come loose off the shaft. Follow the instructions below:

- 1) Unwind the cable from the reel.
- 2) Remove the set screw.
- 3) Align the set screw hole in the reel with the hole in the reel shaft by inserting a 3/16" or smaller rod and rotating the reel until you feel it drop into the shaft hole.
- 4) Replace the set screw and tighten until you feel resistance.
- 5) By gently rocking the reel back and forth while tightening the set screw, you can feel it engage in the shaft hole. The half dog point on the set screw must enter the hole in the shaft; not just be tightened against the reel shaft.

Ten Good Trolling Tips

1) Test your lures over the boat side before sending them down and back. Do this to make sure the lure wiggles and wobbles properly without going belly up or wandering off. Some lures can be adjusted, fine tuned actually, to impart maximum action. For example, a slight bend in the tail of a spoon or twist of the hook eye in the nose of a plug can make a noticeable difference in how the lure performs.

Also, when running two or more lures, make sure the offerings are compatible. Lures that run out of harmony with each other are bound to tangle and that means wasted time to straighten out the mess. Testing them first will avoid the problem.

2) Consider different sizes, shapes, and colors of lures. No one has ever figured out with precision what makes a fish strike or snub a lure. There is no doubt, that matching the forage (minnows, crayfish, etc.) in color, shape, action, and size can help trigger those strikes from hungry fish. On the other hand, if fish such as bluegills, small mouth bass or Coho salmon are protecting spawning beds, they may attack whatever is threatening. So, bright colors in lures may out produce bland colors.

3) Vary trolling speeds. Goosing the engine now and then or slowing to a crawl every so often will change the action of the lures and may get fish to strike them.

4) Vary trolling patterns and lead lengths. The amount of line you let out often determines how deep the lure will run and, to some extent, what degree of action it will impart. For starters, consider running lures about ten feet behind downrigger weights. If flat line trolling, put them back about fifty feet, then experiment depending on what the fish do.

Trolling patterns affect lure action too, that is why some anglers like to wheel a lazy S course. On turns, outside lures will speed up momentarily while inside lures hang for a moment or two. Fish may nail lures that change speeds. Also, zigzag patterns allow for more water coverage, plus it keeps lures out of propeller boil, an important consideration for browns and other wary species.

5) Locate fish on a vertical plane. Place lures in areas where fish might be. Skilled fishermen call these areas the “strike zones”. They include the edges of the weed beds, structure along bottom, drop-offs, preferred temperature of the target species, and the thermocline. Remember that fish occupy certain areas for certain reasons (sources of food, protective cover, preferred temperatures, etc.).

6) Consider special knots and swivels. A good ball bearing swivel will all but eliminate line twist and will aid in getting maximum performance from a lure. Many anglers add the tiny swivels to split rings already on the lure itself. On the other hand, a swivel may dampen the action of a sensitive lure, such as a Rapala. Some fisherman tie tiny improved cinch or loop knots. Loop knots in particular may enhance up and down and side to side action of lures. Any good fishing manual will explain how to tie these and other knots.

7) Consider releases for flatline trolling. A good tip is to secure a piece of downrigger cable or heavy monofilament to the water ski hook or handle below the transom of most boats. To the other end of the mono or cable, add a pinch-release. After letting out your lure to the desired distance, put the rod in its holder, then bend the tip and secure the fishing line in the release.

8) Add a weed guard. Having trouble with weeds hanging up lures? Consider tying a three-inch piece of monofilament a foot above the lure. Leaves, smaller weeds and other debris may catch here momentarily then fall off to the side of the lure without tangling. Weedless lures are another smart consideration. Downrigger cables are effective weed catchers when trolling for pike, muskies, or bass in weed-infested lakes.

9) Add a stinger hook. When fish short strike, slap at lures without becoming hooked, adding a stinger hook can solve the problem. Simply tie a treble hook to one end of a four inch piece of monofilament and then tie the extra hook to the last gang of hooks on your lure. The stinger hook, which trails the lure, provides extra insurance.

10) Keep hooks sharp. Some of the best fishermen sharpen all hooks after every fish caught. Hooks get dull through both use and misuse, and probably more fish are lost to dull points than anything else.



**OWNER'S MANUAL FOR
UNI-TROLL & EASI-TROLL
MANUAL DOWNRIGGERS**

INTRODUCTION

OVERVIEW

Congratulations on the purchase of your new Cannon Downrigger. We have designed your new downrigger to be an accurate and reliable tool that will enhance fishing control and improve your ability to catch fish.

This manual covers installation and the functions of the Easi-Troll and Uni-Troll models. The Tournament Series version of the Uni-Troll is fitted with a cast stainless steel reel, brushed finish stainless steel boom, and a white frame.

SAFETY AND CAUTIONS

Your Cannon downrigger should only be used for its intended purpose. Improper use will void the warranty and may be a safety risk.

We hope that you enjoy the use of your new downrigger and enjoy the benefit of controlled depth fishing for years to come by always following safe boating practices and laws for wherever you are fishing. Read this manual carefully before operating your new Cannon Downrigger. Retain this manual for future reference.



Easi-Troll ST



Uni-Troll 5 ST



Uni-Troll 10 STX



Uni-Troll 10 STX - TS

CANNON LIMITED WARRANTY

Johnson Outdoors Marine Electronics, Inc. warrants to the original purchaser that if the accompanying product (see exclusions below) proves to be defective in material or workmanship within the following warranty periods, Johnson Outdoors Marine Electronics, Inc. will, at its option, either repair or replace same without charge (but no cash refunds will be made):

- 1) The boom and reels, plus all composite parts, including but not limited to frames and bases, will be free from defects in materials and workmanship, subject to normal wear and tear, for the original purchaser's lifetime.
- 2) All other items will have limited warranties from the date of original retail purchase, except THE FOLLOWING ITEMS THAT HAVE NO WARRANTY WHATSOEVER: boot covers, clothing, Dacron line, rubber bands, swivel lock pin, weights, and wire cable.

This limited warranty may be enforced only by the original purchaser; all subsequent purchasers acquire the product "as is" without any benefit of this limited warranty. Repair or replacement of the product as set forth in this limited warranty shall be the original purchaser's sole and exclusive remedy and Johnson Outdoors Marine Electronics, Inc.' sole and exclusive liability for breach of this warranty.

EXCLUSIONS

This warranty does not apply in the following circumstances:

- When the product has been connected, installed, combined, altered, adjusted, serviced, repaired, or handled in a manner other than according to the instructions furnished with the product
- When any defect, problem, loss, or damage has resulted from any accident, misuse, negligence, carelessness, or abnormal use, or from any failure to provide reasonable and necessary maintenance in accordance with the instructions of the owner's manual

LIMITATION AND EXCLUSION OF IMPLIED WARRANTIES AND CERTAIN DAMAGES

THERE ARE NO EXPRESS WARRANTIES OTHER THAN THESE LIMITED WARRANTIES. JOHNSON OUTDOORS MARINE ELECTRONICS, INC. DISCLAIMS LIABILITY FOR INCIDENTAL AND CONSEQUENTIAL DAMAGES, AND IN NO EVENT SHALL ANY IMPLIED WARRANTIES (EXCEPT ON THE BOOM, REELS, AND ALL COMPOSITE PARTS), INCLUDING ANY IMPLIED WARRANTY OF MERCHANTABILITY OR FITNESS FOR PARTICULAR PURPOSE, EXTEND BEYOND ONE YEAR FROM THE DATE OF PURCHASE (AND IN THE CASE OF THE BOOT COVERS, CLOTHING, DACRON LINE, RUBBER BANDS, SWIVEL LOCK PIN, WEIGHTS, AND WIRE CABLE, JOHNSON OUTDOORS MARINE ELECTRONICS, INC. DISCLAIMS ALL IMPLIED WARRANTIES). THIS WRITING CONSTITUTES THE ENTIRE AGREEMENT OF THE PARTIES WITH RESPECT TO THE SUBJECT MATTER HEREOF; NO WAIVER OR AMENDMENT SHALL BE VALID UNLESS IN WRITING SIGNED BY JOHNSON OUTDOORS MARINE ELECTRONICS, INC.

Some states do not allow limitations on how long an implied warranty lasts or the exclusion or limitation of consequential damages, so the above limitation or exclusion may not apply to you. This warranty gives you specific legal rights, and you may also have other rights that vary from state to state.

CANNON® SERVICE POLICY

AFTER THE APPLICABLE WARRANTY PERIOD

After the applicable warranty period, or, if one of the above exclusions applies, Cannon products will be repaired for a charge of parts plus labor. All factory repairs, after the applicable warranty period, carry Limited Warranty, subject to the exclusions and limitations stated above.

TO ENFORCE WARRANTY OR TO OBTAIN REPAIRS AFTER WARRANTY

To obtain warranty service in the U.S., the downrigger or part believed to be defective and the proof of original purchase (including the date of purchase) must be presented to a Cannon Authorized Service Center or to Cannon's factory service center in Mankato, MN. Except as noted below, any charges incurred for service calls, transportation or shipping/freight to/from the Cannon Authorized Service Center or Cannon's factory, labor to haul out, remove, re-install or re-rig products for warranty service, or any similar items are the sole and exclusive responsibility of the purchaser. Downriggers purchased outside of the U.S. (or parts of such downriggers) must be returned prepaid with proof of purchase (including the date of purchase and serial number) to any Authorized Cannon Service Center in the country of purchase. Warranty service can be arranged by contacting a Cannon Authorized Service Center listed on the enclosed sheet, or by contacting the factory. If the necessary repairs are covered by the warranty, we will pay the return shipping charges to any destination within the United States.

DO NOT return your Cannon downrigger or parts to your retailer. Your retailer is not authorized to repair or replace them.

Major parts, such as the main frame, must be returned to Johnson Outdoors Marine Electronics, Inc. in Mankato, Minnesota, or a Cannon Authorized Service Center, for repair or replacement. To reduce shipping costs, we suggest removal of loose parts such as the boom and rod holders. Small parts that can be easily removed such as the handle and/or the counter, may be removed from the downrigger and returned for repair or replacement.

Retain your sales receipt! Proof of purchase must accompany product when returned.

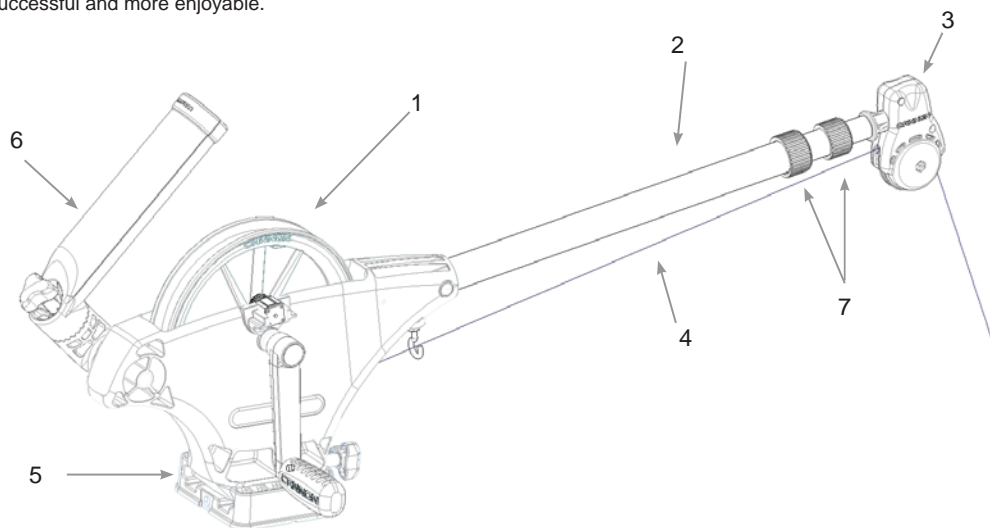
INTRODUCTION TO CONTROLLED DEPTH FISHING

Undoubtedly there are many fishermen familiar with the methods and use of controlled depth fishing. During the mid 1960's the state of Michigan introduced Pacific salmon into the Great Lakes in an attempt to revitalize its sport fishing industry. From this successful transplant, new fishing techniques and equipment were developed. One such method was controlled depth fishing which enabled fishermen to place a lure at a desired depth by utilizing downriggers.

Because of the varying factors (water temperature, thermocline, weather, tides, time of day, or time of year) it is necessary for successful fishing to maintain specific water depths that coincide with fish movements and feeding patterns.

One essential feature of the downrigger is the depth meter or gauge that indicates lure depth. This allows the angler to control as well as return to specific depths where fish have been caught.

Due to the success of controlled depth fishing, downriggers are now being used throughout the world to catch a wide variety of species in both fresh and salt water. Whether fishing for blues off Rhode Island, walleyes in Lake Erie, sailfish off the coast of Florida, or stripers in Tennessee, the use of downriggers will make your fishing more successful and more enjoyable.



PARTS DESCRIPTION

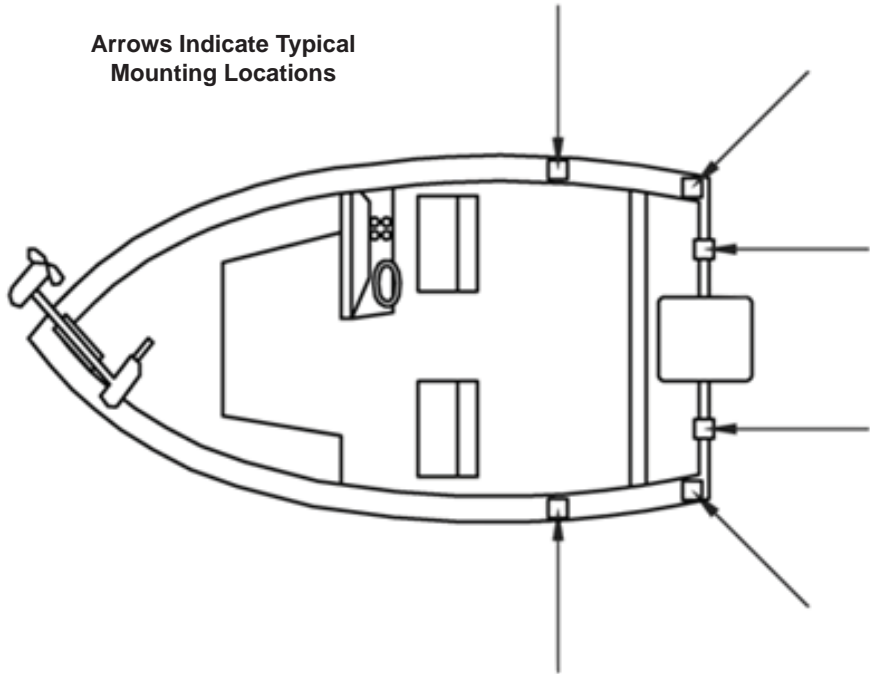
- | | |
|------------------|---|
| 1. Reel | This is used to spool the cable, available in lengths ranging from 150 to 400 feet. |
| 2. Boom | This is used to extend the weight out from the body of the downrigger and has a pulley fixed to its end. Boom lengths range from 24 to 53 inches. |
| 3. Swivel Head | This relays the cable at the end of the boom to lower the weight. |
| 4. Cable | This connects to the weight. Cable material is 150 lb. test stainless steel cable. |
| 5. Mounting Base | This attaches to the boat, enabling you to place the downrigger where you choose. |
| 6. Rod Holder | This holds your fishing rods while trolling and may also be used for storing rods. |
| 7. Boom Clamps | These lock the boom sections together after the boom has been extended or retracted. |

DOWNRIGGER MOUNTING ON BOATS

A downrigger should be mounted wherever it is easy to operate and observe. You want to be able to see your fishing rod and to react quickly. So, choosing a good location to mount your downrigger on your boat is very important.

Due to the great variety of boats available, mounting your downrigger can be a difficult decision. Cannon has a complete line of mounting and fishing accessories to aid in your fishing experience. Before making any permanent changes to your boat consider what accessories might be used in your application.

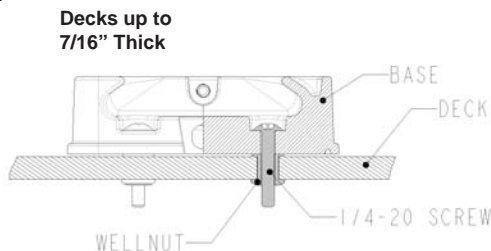
**Arrows Indicate Typical
Mounting Locations**



INSTALLING THE BASE ON YOUR BOAT

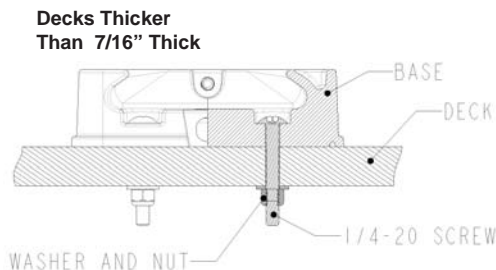
DECKS UP TO 7/16" THICK

Where access to the underside of the deck is not available, the mounting base can be mounted using wellnuts. Use the base as a template to mark locations and drill four wellnut clearance holes. Mount the base using four 1/4-20 x 1-1/2" truss head screws and four wellnuts. Tighten the screws so the wellnuts are firmly compressed as pictured.



DECKS THICKER THAN 7/16"

For decks thicker than 7/16", or where the underside of the deck is accessible, mount the base with screws, nuts, and washers. Use the base as a template to mark the locations and drill four 9/32" holes. Use four 1/4-20 x 2" truss head screws and four each flat washers and nuts. Fasten the base to the deck as pictured.



NOTE: Wellnuts **SHOULD NOT** be used on decks thicker than 7/16".

DECKS THINNER THAN 1/4"

Use a Cannon deck plate (PN 2200693) to prevent deflection and add stability to decks thinner than 1/4". Use the deck plate as a template to mark the hole locations.

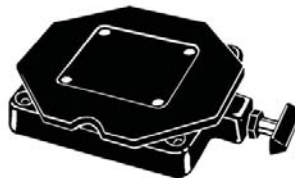
If access to the underside of the deck is not available, the deck plate can be mounted using screws and wellnuts. Use the deck plate as a template to mark locations and drill 4 wellnut clearance holes. Use four 1/4-20 x 1-1/2" flat head screws and four wellnuts to mount deck plate. Tighten the screws so the wellnuts are firmly compressed.

Where the underside is accessible, the deck plate can be mounted using screws, nuts, and washers. Drill 9/32" holes. Use four 1/4-20 x 1-1/2" flat head screws, nuts and washers (flat and lock). Fasten plate to deck. To secure the mounting base to the deckplate use four 1/4-20 x 1" truss head screws.

NOTE: When using the telescopic boom, we strongly recommend the use of a deck plate on all boats to provide adequate stability for the downrigger.

LOW-PROFILE SWIVEL BASE

The Low-Profile Swivel Base mounting follows the same procedure as for the deck plate except that four 1/4"-20 x 1-1/2" truss head screws are used to fasten the mounting base and four additional 1/4"-20 x 2" truss head screws fix the swivel base to the boat deck.



INSTALLING THE BOOM AND BALL HOOK

- 1) Insert boom into frame (Figure 1) and line up holes in boom with holes in frame. Note: Easi-Troll units require the included boom adapter.
- 2) Remove 1/4-20 x 2" bolt and 1/4-20 nylon locknut from included hardware bag assembly. (Figure 2)
- 3) Insert the 1/4-20 nylon locknut into the hex pocket on the nose of the frame. (Figure 3)
- 4) Insert 1/4-20 x 2" bolt into reel side of frame nose. With a Phillips head screw driver, thread bolt into nylon locknut from step 3. Tighten bolt until the end of the bolt is flush with the top of the nut. (Figure 4)

TELESCOPIC BOOM ONLY

To adjust the boom length (with the boom extending away from you) rotate the clamps (See item # 7 on page 5) approximately $\frac{1}{4}$ turn counter-clockwise to unlock and slide the boom section to the desired position. Once in place, lock the clamps by rotating clockwise until tight.

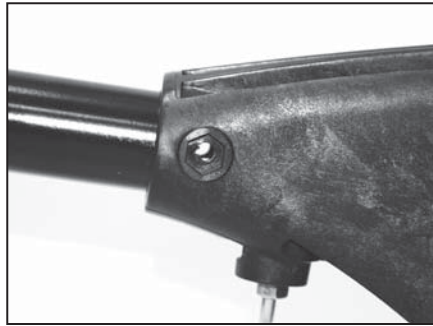


FIGURE 1



FIGURE 2



FIGURE 3



FIGURE 4



FIGURE 5

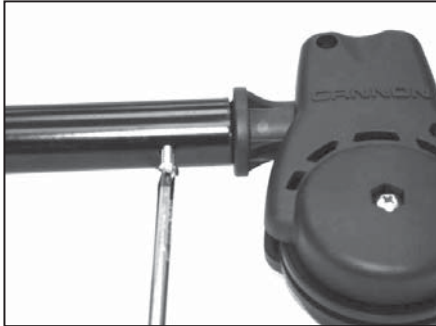


FIGURE 6

BOOM END PULLEY

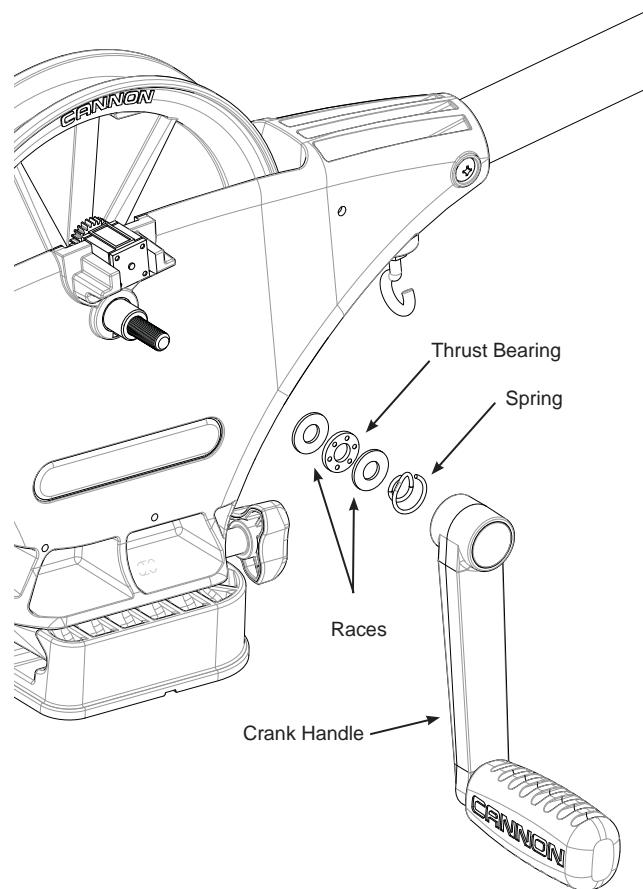
Telescopic Boom

- 1) Remove boom end assembly from hardware bag.
- 2) Remove #8 self tapping screw from hardware bag.
- 3) Insert boom end post into end of the small tube of the telescopic boom assembly. (Figure 5)
- 4) Align hole in boom post with hole in small end tube.
- 5) Secure boom end with #8 screw as shown. Tighten with Phillips head screw driver by rotating clockwise until tight. (Figure 6)

ATTACHING THE CRANK HANDLE ASSEMBLY

Make sure the thrust bearing is sandwiched between its two races. The thrust bearing spring should be oriented where the narrow end is toward the bearing. Slide the bearing with races and spring over the ratchet shaft. Then, carefully thread the crank handle onto the shaft and continue turning the handle clockwise until the clutch is fully tightened.

NOTE: Place your fingertip on the edge of the bearing and races. This allows the crank to be threaded more easily until the spring puts resistance on the clutch pad.



ATTACHING THE ROD HOLDER(S)

The locking rod holder(s) incorporate a locking tooth design which can be easily adjusted every 15° with the soft grip knob. **The unique two piece design allows independent adjustment of the rod holder and the rod holder arm in two axes. (Figure 7)

Caution: This rod holder is intended for use of up to 30 lb. test line only and is not recommended for use with any tackle IGFA (International Game Fish Association) rated higher than 30 lb. A safety strap (not included) is recommended for all applications.

NOTE: The rod holder assembly is not covered under warranty when used with tackle above 30 lbs. Equipment placed in the rod holders and the loss thereof is the responsibility of the user and is in no way warranted by Johnson Outdoors, Inc. Mounting must be in accordance with the above instructions and pictures to comply with the product warranty.

To install the rod holder(s):

- 1) **Fasten rod holder to rod holder elbow using supplied spring and knob. (Figure 8)
- 2) Attach the rod holder to the downrigger on the left side using the supplied spring and knob. (Figure 9)

The rod holder can be adjusted by loosening the knob until the locking teeth are free from each other. Rotate the rod holder or arm to the desired position and re-tighten knob.

**Not applicable for Easi-Troll models.



FIGURE 7

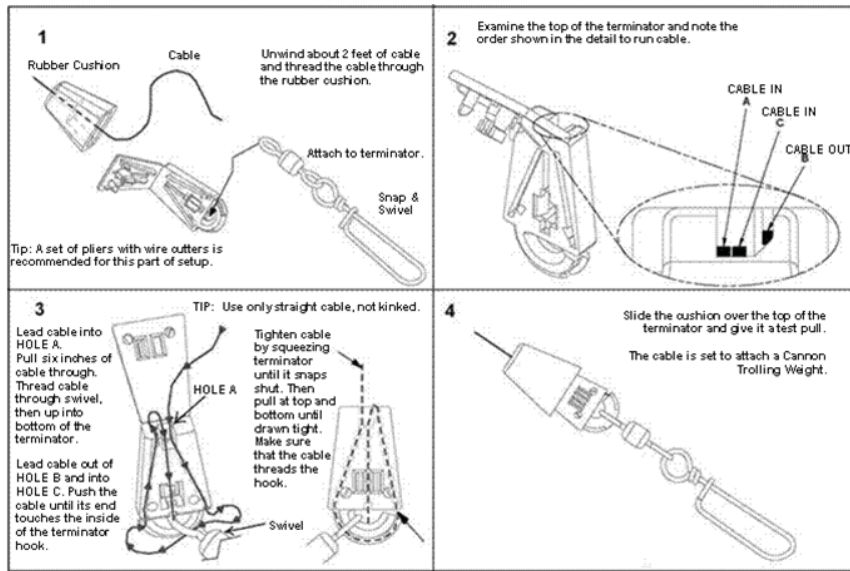


FIGURE 8



FIGURE 9

TERMINATING THE DOWNRIGGER CABLE

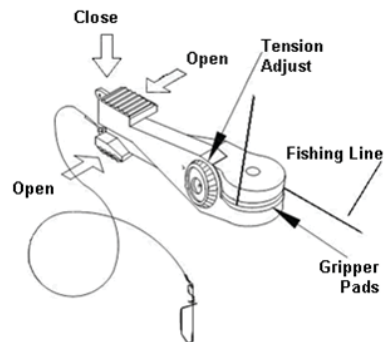


TIP: Use only straight cable when routing thru the terminator. Worn or kinked cable can be stressed and may break prematurely when retrieving trolling weights.

ATTACHING THE LINE RELEASE (UNI-RELEASE)

The Cannon Uni-Release attaches directly to the downrigger weight. Attach fishing line to the clip at the end of the release, and then click through a series of increasing tension settings. The release can be used with any test line on salt or fresh water and may be adjusted from 2 to 22 pounds of grip tension on the line.

To change line release tension, turn tension knob to (+) to increase or (-) to decrease. Tension also may vary according to where the line is placed in the grips. Higher tension is on the line if it is set back toward the hinge, and lower if set closer to the opening. To open the release, spread the release arms with thumb and forefinger applying pressure to the sides.



BLOWBACK

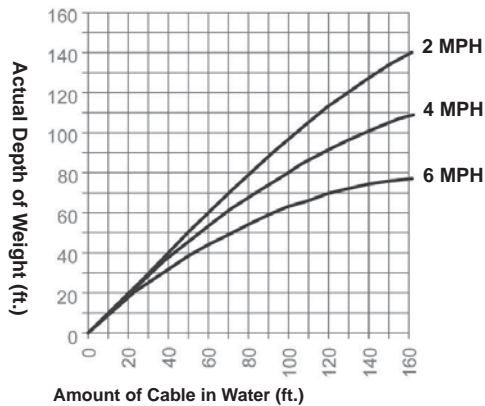
Simply stated, blowback is what happens to the downrigger weight when you pull it through the water behind your boat. As your speed increases, so does the horizontal distance between the weight and your downrigger. The faster you go, the farther the weight is behind you. The farther the weight is behind you, the shallower the weight is.

The following charts provide you with blowback information for three sizes of Cannon downrigger weights pulled at three different speeds with no lures attached and with no current. Current drag, water salinity and the use of non-Cannon products will affect your actual trolling depth.

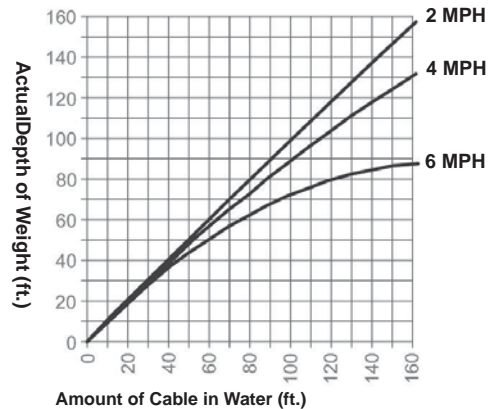
As an example, the first chart shows that if you are trolling at 4 MPH with an 8 pound weight and you have 100 FT. of cable in the water with no current; the downrigger ball is actually at a depth of about 80 FT.

Blowback Charts

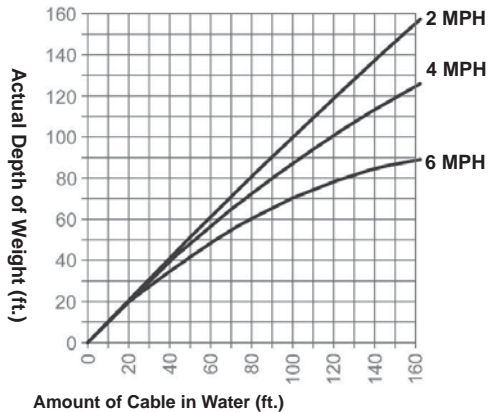
8-Lb. Weight at 2, 4, and 6 MPH



10-Lb. Weight at 2, 4, and 6 MPH

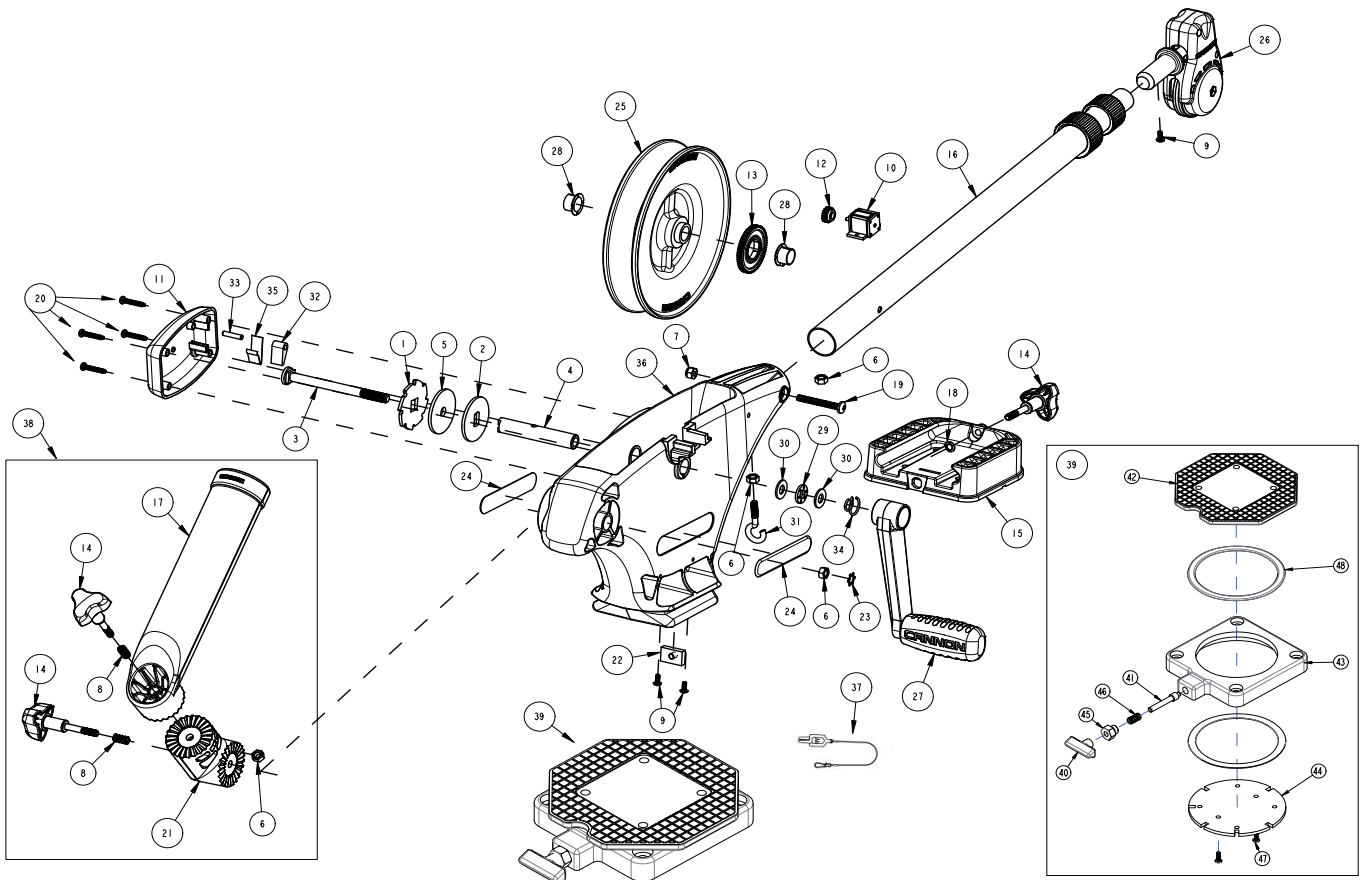


12-Lb. Weight at 2, 4, and 6 MPH



Amount of Cable in Water (ft.)

1901141 UNI-TROLL 10 STX-TS / E



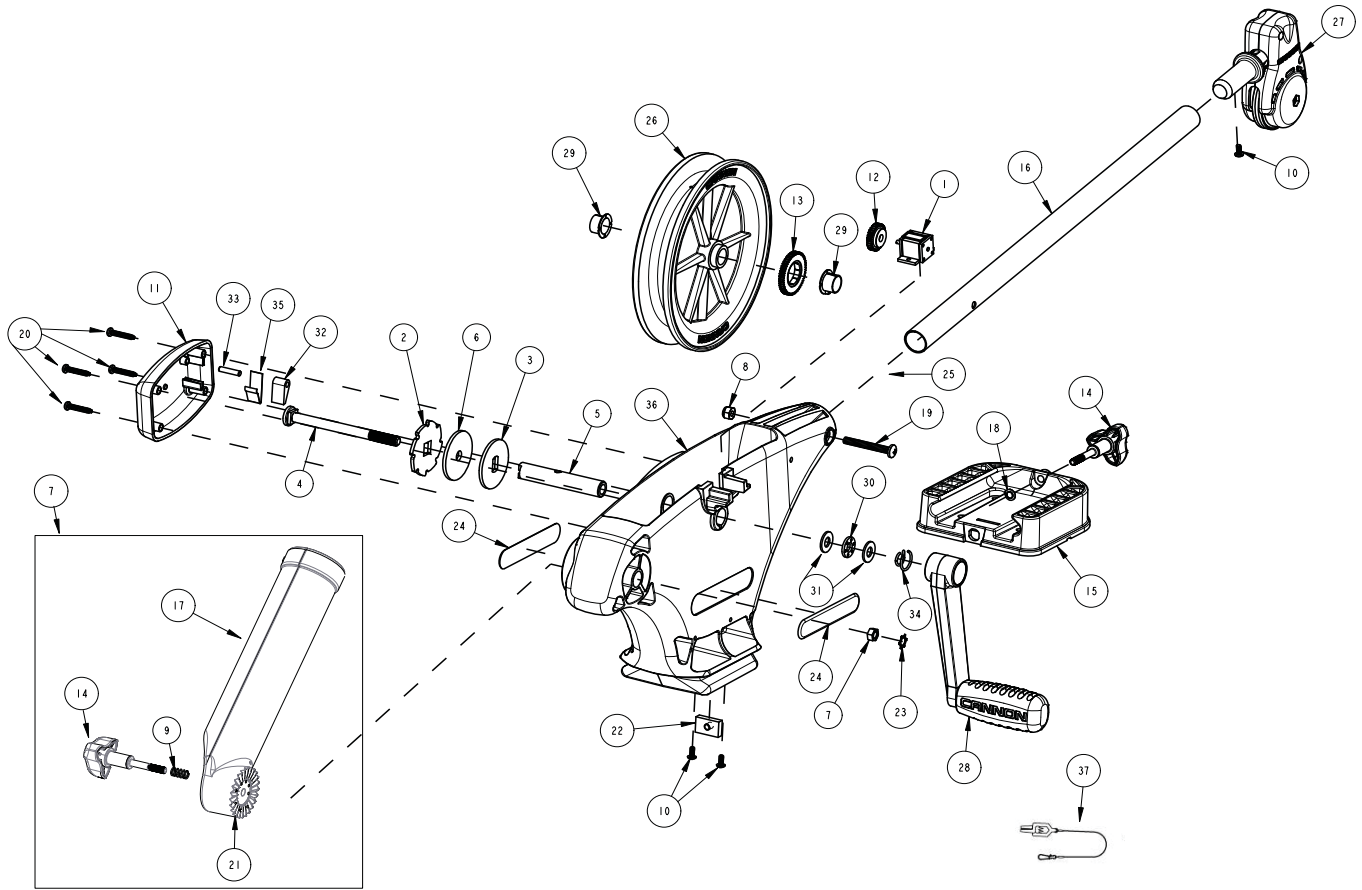
1901141 UNI-TROLL 10 STX-TS / E

In the U.S.A., replacement parts may be ordered directly from CANNON Parts Dept. Be sure to provide the MODEL and SERIAL num-bers of your downrigger when ordering parts. Please use the correct part numbers from the parts list.

1	3391995	PLATE - RATCHET BRAKE	18	3393000	RING, RETAINING, 1/4" SHAFT	34	9400040	HDW SPRING CRANK
2	3391990	PLATE - CLUTCH/BRAKE REEL	19	3393461	SCREW-1/4-20 X 2" SS, PPH	35	9400070	HDW SPRING DOG
3	1000904	ASY SHAFT RATCHET UT6	20	3393480	SCREW-#10X1" PPH HI-LO SS	36	3392541	FRAME, MANUAL, DR, WHITE
4	1080001	SHAFT REEL ET/UT	21	3394200	ARM, DUAL AXIS-ROD HLDR	37	2200109	SALTWATER LINE RELEASE
5	1264670	ASY CLUTCH PAD SM HOLE	22	3394702	INSERT, BASE, LO-PRO	38	3391904	ASSY-CNN, ROD HOLDER, UT
6	3391710	PAD - CLUTCH	23	3394722	INSERT, PUSH ON	39	2998905	ASSY - CNN SWIVEL BASE
7	2263103	NUT-1/4-20 NYLOCK SS	24	3395634	DECAL-SIDE, BLACK	40	2249001	HDW KNB RELEASE PIN
8	2287002	HDW SPRING RELEASE PIN	25	3397906	REEL, ROUGH, 3.75" OD SS	41	2266001	HDW PIN RELEASE
9	2373450	SCREW-#8-18 X 3/8" THRD CUT SS	26	3990200	ASSY-CNN, BOOM END	42	2267002	BRK PLATE SWIVEL
10	3320011	COUNTER 3 DIGIT	27	3994210	CRANK ARM/HANDLE ASM	43	2267005	PLATE, BASE (ROUGH)
11	3321001	COVER-CLUTCH	28	9010001	BEARING NYLINER	44	2267006	PLATE - INDEXING 6 STOP
12	3333010	GEAR COUNTER (METRIC)	29	9010280	HDW BEARING, THRUST	45	2277001	HDW RETAINER RELEASE NUT
13	3333011	GEAR REEL (METRIC)	30	3391737	WASHER THRUST, 17-7 SS (qty: 2)	46	2287002	HDW SPRING RELEASE PIN
14	3390101	KNOB-CANNON, SOFT GRIP	31	9040040	HDW BOLT 1/4-20 ROLLEDTHD HOOK	47	2372100	SCREW, #8-18 X 5/8 (QTY: 2)
15	3391955	BASE-MOUNT, MAG ST	32	9100160	DOG RATCHET	48	9010004	HDW BEARING SWIVEL BASE (QTY: 2)
16	3392010	ASSY, BOOM TELESCOPIC, SS	33	9250003	HDW PIN 3/16 X 7/8 DOWEL	*	2294894	BAG ASSEMBLY
17	3392033	TUBE, DUAL AXIS RD HLDR						

*bag assembly not shown in diagram

1901020 EASI-TROLL ST



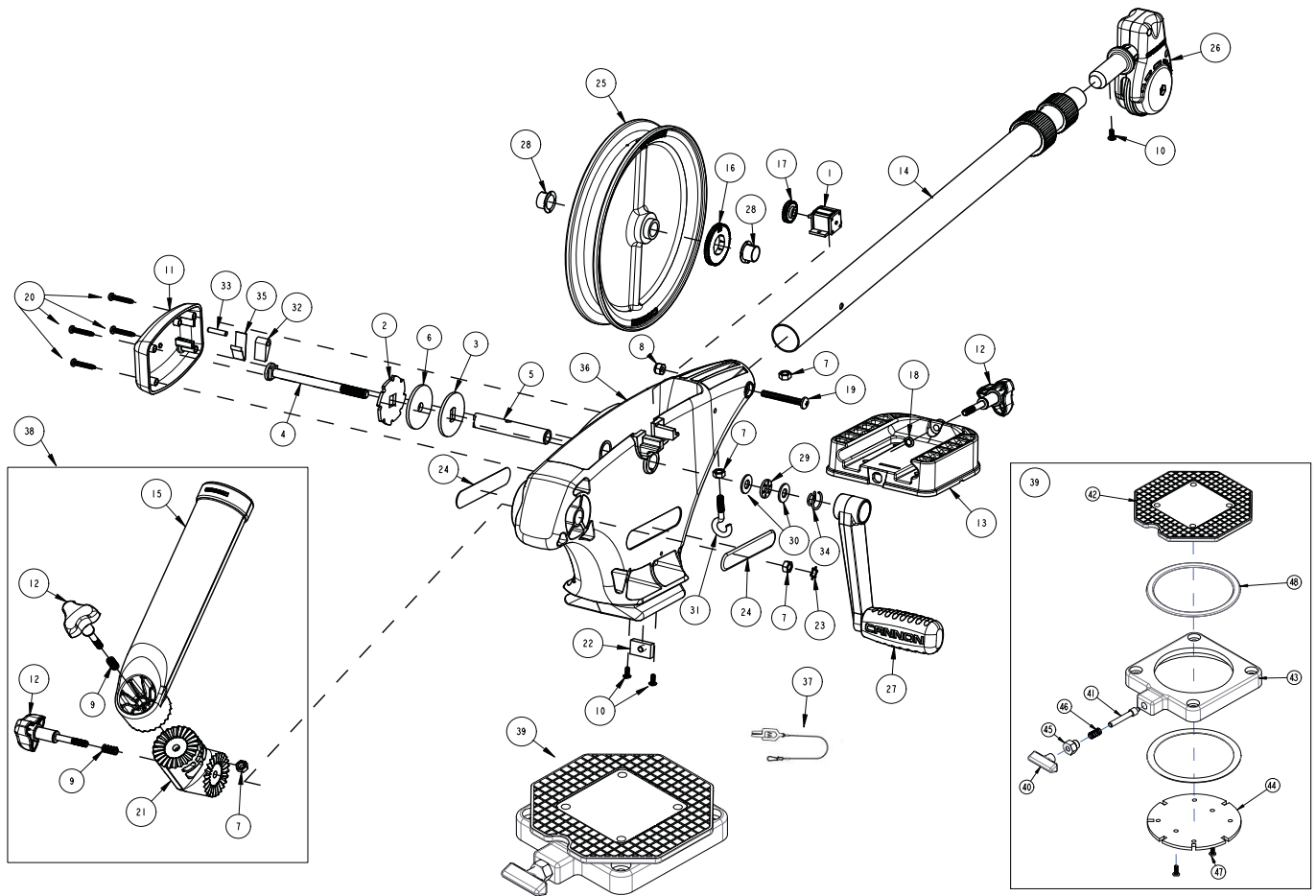
1901020 EASI-TROLL ST

In the U.S.A., replacement parts may be ordered directly from CANNON Parts Dept. Be sure to provide the MODEL and SERIAL num-bers of your downrigger when ordering parts. Please use the correct part numbers from the parts list.

1	0220477	METER 3 DIGIT	16	3392017	BOOM, MANUAL DOWNRIGGER	31	9010310	HDW WASHER, THRUST, 410 SS (qty:2)
2	3391995	PLATE - RATCHET BRAKE	17	3392033	TUBE, DUAL AXIS ROD HOLDER	32	9100160	DOG RATCHET
3	3391990	PLATE - CLUTCH/BRAKE REEL	18	3393000	RING, RETAINING, 1/4" SHAFT	33	9250003	HDW PIN 3/16 X 7/8 DOWEL
4	1000904	ASY SHAFT RATCHET UT6	19	3393461	SCREW-1/4-20X2" SS, PPH	34	9400040	HDW SPRING CRANK
5	1080001	SHAFT REEL ET/UT	20	3393480	SCREW-#10X1" PPH HI-LO SS (qty: 4)	35	9400070	HDW SPRING DOG
6	3391710	PAD - CLUTCH	21	3392033	ROD HOLDER, DUAL AXIS SLEEVE	36	3392540	FRAME, MANUAL DR, BLACK
7	3391906	ASSY-CNN, ROD HOLDER, ET	22	3394702	INSERT, BASE, LO-PRO	37	2277002A	LINE RELEASE
8	2263103	NUT-1/4-20 NYLOCK SS	23	3394722	INSERT, PUSH ON	*	2294894	BAG ASSEMBLY
9	2287002	HDW SPRING RELEASE PIN	24	3395634	DECAL, SIDE, BLACK			
10	2373450	SCREW-#8-18 X 3/8" THRD CUT SS (qty: 3)	25	3395906	ADAPTER, BOOM END			
11	3321001	COVER-CLUTCH	26	3397904	REEL, ROUGH, 5.75" OD			
12	3333003	GEAR COUNTER UT HP	27	3990200	ASY-CNN, BOOM END			
13	3333004	GEAR REEL UT HP	28	3994210	CRANK ARM/HANDLE ASM			
14	3390101	KNOB-CANNON, SOFT GRIP	29	9010001	BEARING NYLINER			
15	3391955	BASE-MOUNT, MAG ST	30	9010280	HDW BEARING, THRUST			

*bag assembly not shown in d

1901140 UNI-TROLL 10 STX TS



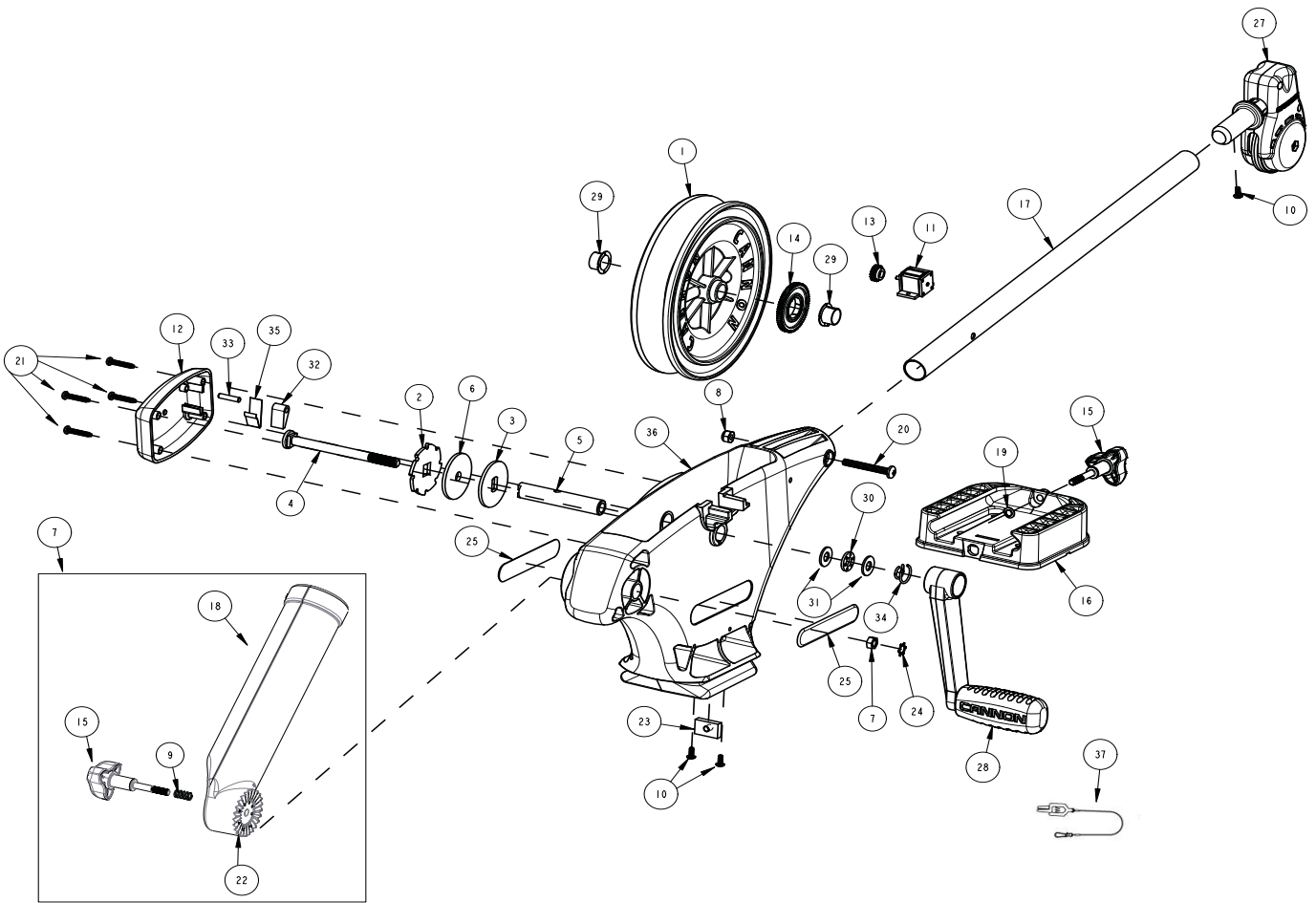
1901140 UNI-TROLL 10 STX TS

In the U.S.A., replacement parts may be ordered directly from CANNON Parts Dept. Be sure to provide the MODEL and SERIAL num-bers of your downrigger when ordering parts. Please use the correct part numbers from the parts list.

1	0220477	METER 3 DIGIT	18	3393000	RING, RETAINING, 1/4" SHAFT	34	9400040	HDW SPRING CRANK
2	3391995	PLATE - RATCHET BRAKE	19	3393461	SCREW-1/4-20 X 2" SS, PPH	35	9400070	HDW SPRING DOG
3	3391990	PLATE - CLUTCH/BRAKE REEL	20	3393480	SCREW-#10X1" PPH HI-LO SS	36	3392541	FRAME, MANUAL, DR, WHITE
4	1000904	ASY SHAFT RATCHET UT6	21	3394200	ARM, DUAL AXIS-ROD HLDR	37	2200109	SALTWATER LINE RELEASE
5	1080001	SHAFT REEL ET/UT	22	3394702	INSERT, BASE, LO-PRO	38	3391904	ASSY-CNN, ROD HOLDER, UT
6	3391710	PAD - CLUTCH	23	3394722	INSERT, PUSH ON	39	2998905	ASSY - CNN SWIVEL BASE
7	2263102	NUT-HEX 1/4-20 SS 300SRS	24	3395634	DECAL-SIDE, BLACK	40	2249001	HDW KNB RELEASE PIN
8	2263103	NUT-1/4-20 NYLOCK SS	25	3397930	REEL, SS, 24" RETRIEVE	41	2266001	HDW PIN RELEASE
9	2287002	HDW SPRING RELEASE PIN	26	3990200	ASSY-CNN, BOOM END	42	2267002	BRK PLATE SWIVEL
10	2373450	SCREW-#8-18 X 3/8" THRD CUT SS	27	3994210	CRANK ARM/HANDLE ASM	43	2267005	PLATE, BASE (ROUGH)
11	3321001	COVER-CLUTCH	28	9010001	BEARING NYLINER	44	2267006	PLATE - INDEXING 6 STOP
12	3390101	KNOB-CANNON, SOFT GRIP	29	9010280	HDW BEARING, THRUST	45	2277001	HDW RETAINER RELEASE NUT
13	3391955	BASE-MOUNT, MAG ST	30	3391737	WASHER THRUST, 17-7 SS (qty: 2)	46	2287002	HDW SPRING RELEASE PIN
14	3392010	ASSY, BOOM TELESCOPIC, SS	31	9040040	HDW BOLT 1/4-20 ROLLEDTHD HOOK	47	2372100	SCREW, #8-18 X 5/8 (QTY: 2)
15	3392033	TUBE, DUAL AXIS RD HLDR	32	9100160	DOG RATCHET	48	9010004	HDW BEARING SWIVEL BASE (QTY: 2)
16	3392222	GEAR, 56 TOOTH	33	9250003	HDW PIN 3/16 X 7/8 DOWEL	*	2294894	BAG ASSEMBLY
17	3392223	GEAR, 28 TOOTH						

*bag assembly not shown in diagr

1901021 EASI-TROLL ST / E



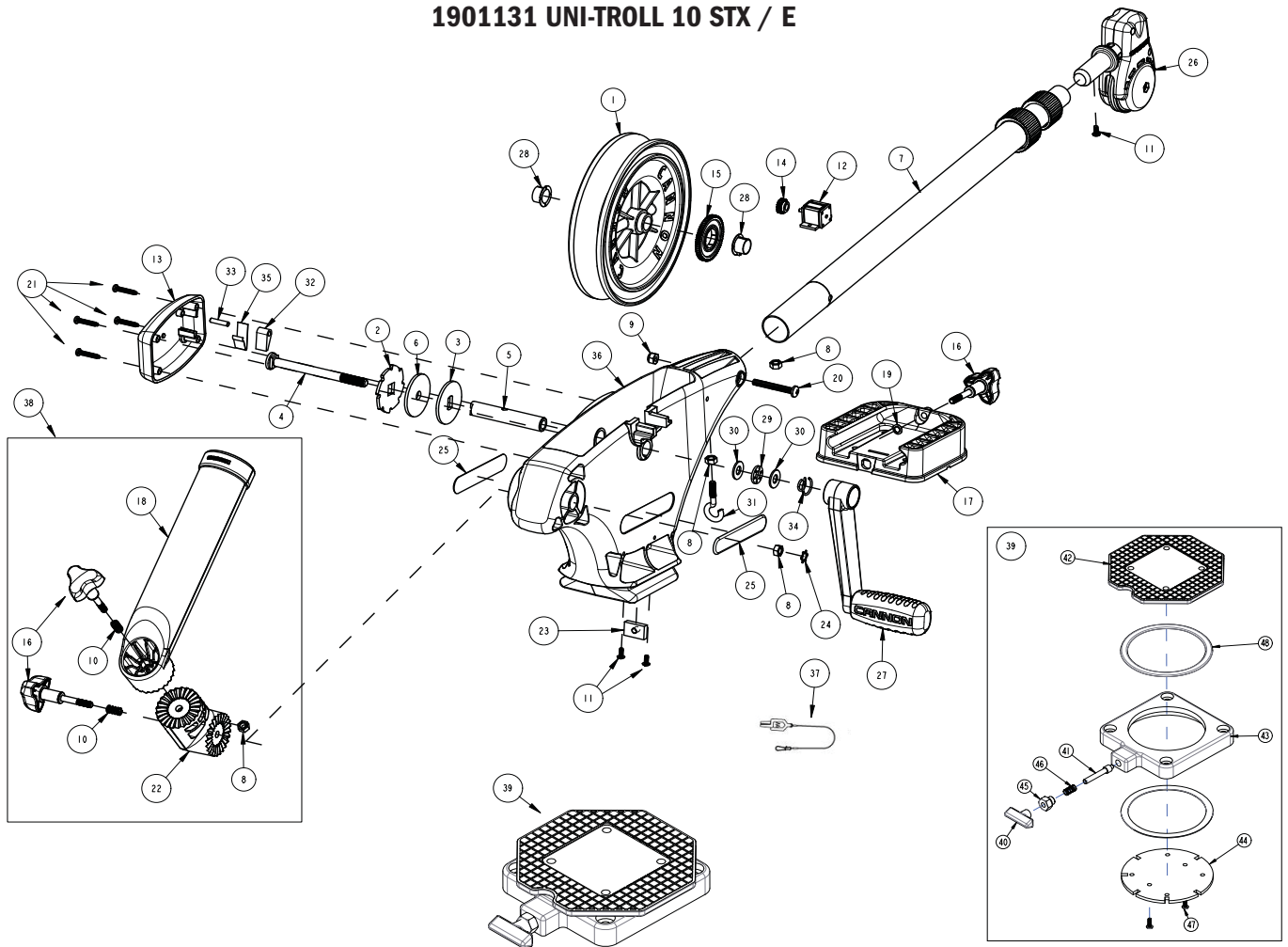
1901021 EASI-TROLL ST / E

In the U.S.A., replacement parts may be ordered directly from CANNON Parts Dept. Be sure to provide the MODEL and SERIAL num-bers of your downrigger when ordering parts. Please use the correct part numbers from the parts list.

1	0274732	REEL ROUGH	16	3391955	BASE-MOUNT, MAG ST	31	3391737	WASHER THRUST, 17-7 SS (qty:2)
2	3391995	PLATE-RATCHET BRAKE	17	3392017	BOOM, MANUAL, DOWNRIGGER	32	9100160	DOG RATCHET
3	3391990	PLATE - CLUTCH/BRAKE REEL	18	3392033	TUBE, DUAL AXIS RD HLDR	33	9250003	HDW PIN 3/16 X 7/8 DOWEL
4	1000904	ASY SHAFT RATCHET UT6	19	3393000	RING, RETAINING, 1/4" SHAFT	34	9400040	HDW SPRING CRANK
5	1080001	SHAFT REEL ET/UT	20	3393461	SCREW-1/4-20 X 2" SS, PPH	35	9400070	HDW SPRING DOG
6	3391710	PAD-CLUTCH	21	3393480	SCREW-#10-1" PPH HI-LO SS (qty: 4)	36	3392540	FRAME, MANUAL DR, BLACK
7	3391906	ASSY-CNN, ROD HOLDER, ET	22	3392033	ROD HOLDER, DUAL AXIS SLEEVE	37	2277002A	LINE RELEASE
8	2263103	NUT-1/4-20 NYLOCK SS	23	3394702	INSERT, BASE, LO-PRO	*	2294894	BAG ASSEMBLY
9	2287002	HDW SPRING RELEASE PIN	24	3394722	INSERT, PUSH ON			
10	2373450	SCREW-#8-18 X 3/8" THRD CUT SS (qty:3)	25	3395634	DECAL-SIDE, BLACK			
11	3320011	COUNTER 3 DIGIT (METRIC)	26	3395906	ADAPTER, BOOM END			
12	3321001	COVER-CLUTCH	27	3990200	ASSY-CNN, BOOM END			
13	3333010	GEAR COUNTER (METRIC)	28	3994210	CRANK ARM/HANDLE ASM			
14	3333011	GEAR REEL (METRIC)	29	9010001	BEARING NYLINER			
15	3390101	KNOB-CANNON, SOFT GRIP (qty:2)	30	9010280	HDW BEARING, THRUST			

*bag assembly not shown in diagram

1901131 UNI-TROLL 10 STX / E



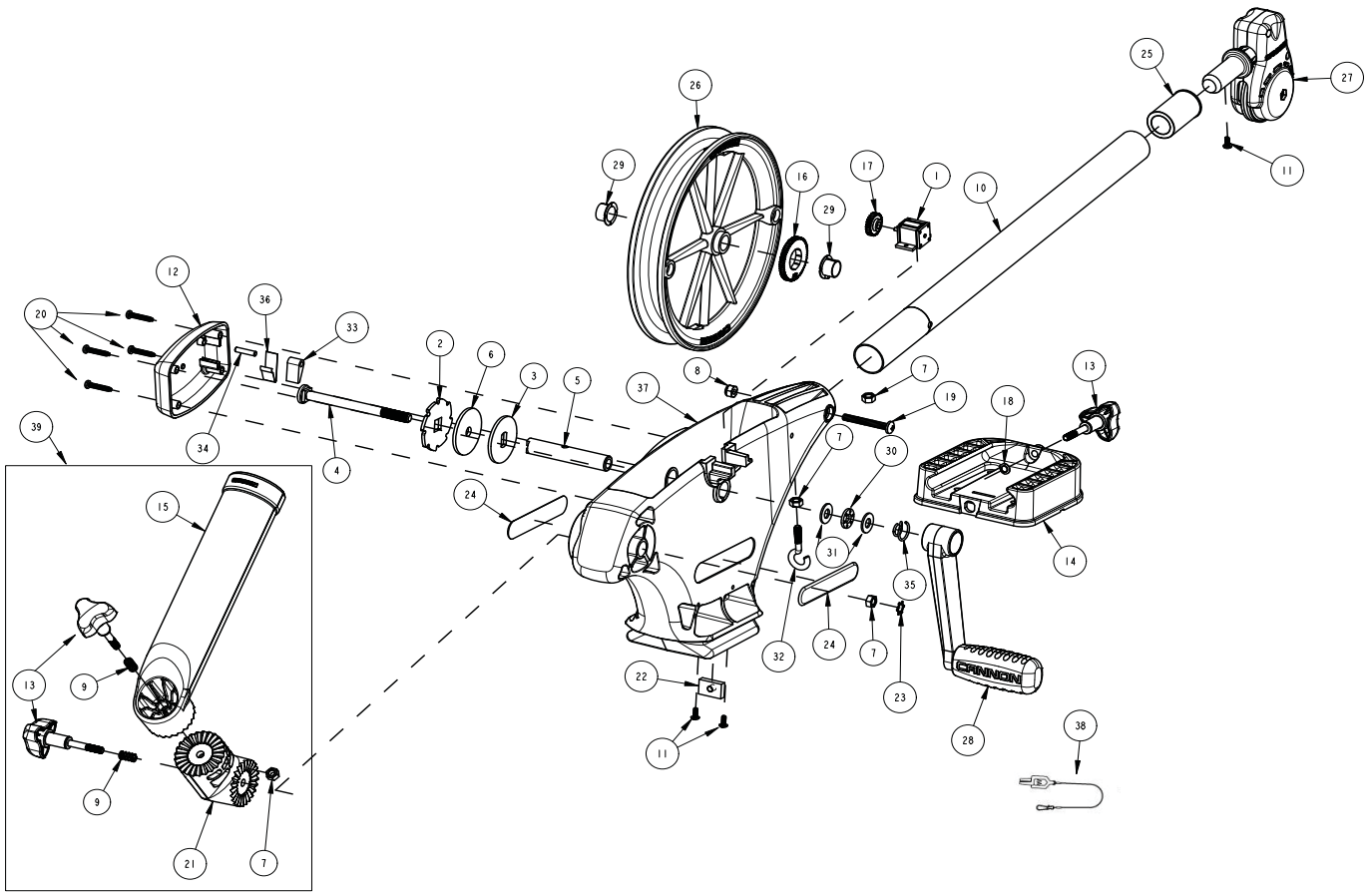
1901131 UNI-TROLL 10 STX / E

In the U.S.A., replacement parts may be ordered directly from CANNON Parts Dept. Be sure to provide the MODEL and SERIAL num-bers of your downrigger when ordering parts. Please use the correct part numbers from the parts list.

1	0274732	REEL ROUGH	18	3392033	TUBE, DUAL AXIS RD HLDR	35	9400070	HDW SPRING DOG
2	3391995	PLATE - RATCHET BRAKE	19	3393000	RING, RETAINING, 1/4" SHAFT	36	3392540	FRAME, MANUAL DR, BLACK
3	3391990	PLATE - CLUTCH/BRAKE REEL	20	3393461	SCREW-1/4-20 X 2" SS, PPH	37	2277002A	LINE RELEASE
4	1000904	ASY SHAFT RATCHET UT6	21	3393480	SCREW-#10X1" PPH HI-LO SS (qty: 4)	38	3391904	ASSY-CNN, ROD HOLDER, UT
5	1080001	SHAFT REEL ET/UT	22	3394200	ARM, DUAL AXIS-ROD HLDR	39	2998905	ASSY - CNN SWIVEL BASE
6	3391710	PAD - CLUTCH	23	3394702	INSERT, BASE, LO-PRO	40	2249001	HDW KNB RELEASE PIN
7	2210821	NUT-HEX 1/4-20 SS 300SRS	24	3394722	INSERT, PUSH ON	41	2266001	HDW PIN RELEASE
8	2263102	NUT-1/4-20 NYLOCK SS	25	3395634	DECAL-SIDE, BLACK	42	2267002	BRK PLATE SWIVEL
9	2263103	HDW SPRING RELEASE PIN	26	3990200	ASSY-CNN, BOOM END	43	2267005	PLATE, BASE (ROUGH)
10	2287002	HDW SPRING RELEASE PIN	27	3994210	CRANK ARM/HANDLE ASM	44	2267006	PLATE - INDEXING 6 STOP
11	2373450	SCREW-#8-18 X 3/8" THRD CUT SS	28	9010001	BEARING NYLINER	45	2277001	HDW RETAINER RELEASE NUT
12	3320011	COUNTER 3 DIGIT (METRIC)	29	9010280	HDW BEARING, THRUST	46	2287002	HDW SPRING RELEASE PIN
13	3321001	COVER-CLUTCH	30	3391737	WASHER THRUST, 17-7 SS (qty: 2)	47	2372100	SCREW, #8-18 X 5/8 (QTY: 2)
14	3333010	GEAR COUNTER (METRIC)	31	9040040	HDW BOLT 1/4-20 ROLLEDTHD HOOK	48	9010004	HDW BEARING SWIVEL BASE (QTY: 2)
15	3333011	GEAR REEL (METRIC)	32	9100160	DOG RATCHET	*	2294894	BAG ASSEMBLY
16	3390101	KNOB-CANNON, SOFT GRIP	33	9250003	HDW PIN 3/16 X 7/8 DOWEL			
17	3391955	BASE-MOUNT, MAG ST	34	9400040	HDW SPRING CRANK			

*bag assembly not shown in diagram

1901120 UNI-TROLL 5 ST



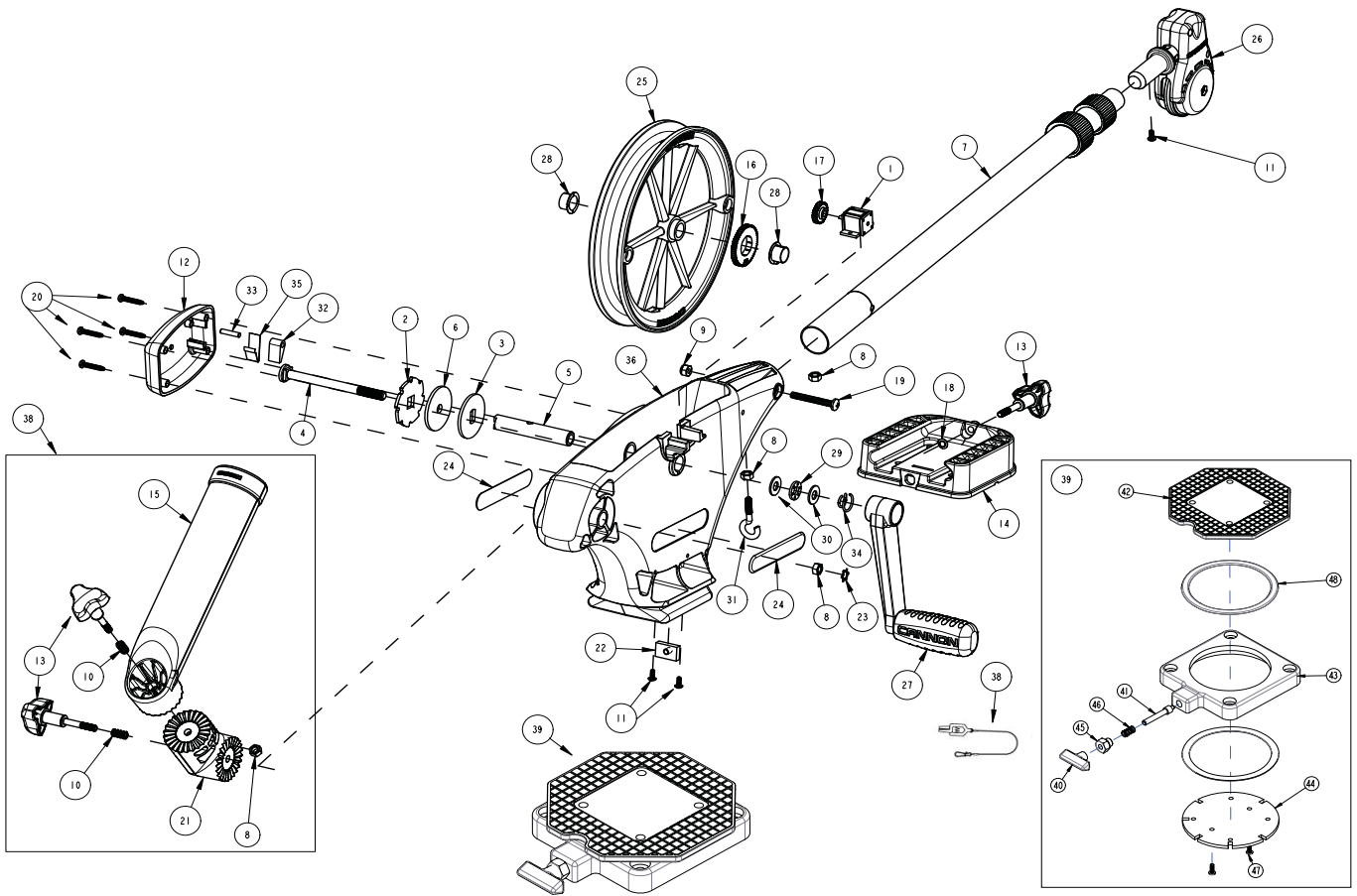
1901120 UNI-TROLL 5 ST

In the U.S.A., replacement parts may be ordered directly from CANNON Parts Dept. Be sure to provide the MODEL and SERIAL num-bers of your downrigger when ordering parts. Please use the correct part numbers from the parts list.

1	0220477	METER 3 DIGIT	16	3392222	GEAR, 56 TOOTH	31	3391737	WASHER THRUST, 17-7 SS (qty: 2)
2	3391995	PLATE - RATCHET BRAKE	17	3392223	GEAR, 28 TOOTH	32	9040040	HDW BOLT 1/4-20 ROLLEDTHD HOOK
3	3391990	PLATE - CLUTCH/BRAKE REEL	18	3393000	RING, RETAINING, 1/4" SHAFT	33	9100160	DOG RATCHET
4	1000904	ASY SHAFT RATCHET UT6	19	3393461	SCREW-1/4-20 X 2" SS, PPH	34	9250003	HDW PIIN 3/16 X 7/8 DOWEL
5	1080001	SHAFT REEL ET/UT	20	3393480	SCREW-#10-1" PPH HI LO SS (qty: 4)	35	9400040	HDW SPRING CRANK
6	3391710	PAD - CLUTCH	21	3394200	ARM, DUAL AXIS-ROD HLDR	36	9400070	HDW SPRING DOG
7	2263102	NUT-HEX 1/4-20 SS 300SRS	22	3394702	INSERT, BASE, LO-PRO	37	3392540	FRAME, MANUAL DR, BLACK
8	2263103	NUT-1/4-20 NYLOCK SS	23	3394722	INSERT, PUSH ON	38	2277002A	LINE RELEASE
9	2287002	HDW SPRING RELEASE PIN	24	3395634	DECAL-SIDE, BLACK	39	3391904	ASSY-CNN, ROD HOLDER, UT
10	2290828	24" BOOM - HEAVY DUTY	25	3395905	ADAPTER, BOOM END	*	2294894	BAG ASSEMBLY
11	2373450	SCREW-#8-18 X 3/8" THRD CUT SS	26	3397931	REEL, PLASTIC, 24" RETRIEVE			
12	3321001	COVER-CLUTCH	27	3990200	ASSY-CNN, BOOM END			
13	3390101	KNOB-CANNON, SOFT GRIP	28	3994210	CRANK ARM/HANDLE ASM			
14	3391955	BASE-MOUNT, MAG ST	29	9010001	BEARING NYLINER			
15	3392033	TUBE, DUAL AXIS RD HLDR	30	9010280	HDW BEARING, THRUST			

*bag assembly not shown in diagra

1901130 UNI-TROLL 10 STX



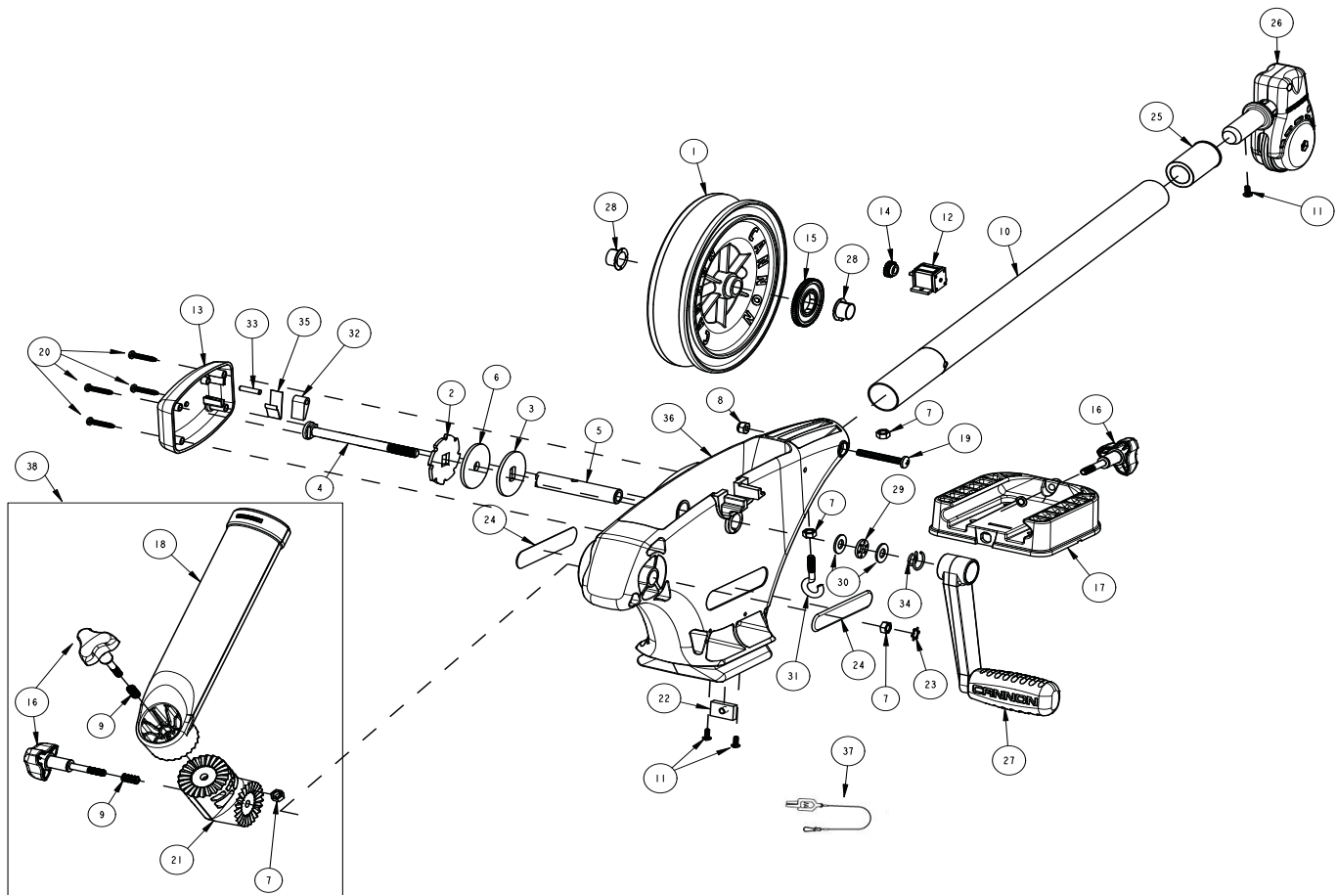
1901130 UNI-TROLL 10 STX

In the U.S.A., replacement parts may be ordered directly from CANNON Parts Dept. Be sure to provide the MODEL and SERIAL num-bers of your downrigger when ordering parts. Please use the correct part numbers from the parts list.

1	0220477	METER 3 DIGIT	18	3393000	RING, RETAINING, 1/4" SHAFT	35	9400070	HDW SPRING DOG
2	3391995	PLATE - RATCHET BRAKE	19	3393461	SCREW-1/4-20 X 2" SS, PPH	36	3392540	FRAME, MANUAL DR, BLACK
3	3391990	PLATE - CLUTCH/BRAKE REEL	20	3393480	SCREW-#10X1 PPH HI-LO SS (qty: 4)	37	2277002A	LINE RELEASE
4	1000904	ASY SHAFT RATCHET UT6	21	3394200	ARM, DUAL AXIS-ROD HLDR	38	3391904	ASSY-CNN, ROD HOLDER, UT
5	1080001	SHAFT REEL ET/UT	22	3394702	INSERT, BASE, LO-PRO	39	2998905	ASSY - CNN SWIVEL BASE
6	3391710	PAD - CLUTCH	23	3394722	INSERT, PUSH ON	40	2249001	HDW KNB RELEASE PIN
7	2210821	ASM BOOM TELESCOPIC	24	3395634	DECAL-SIDE, BLACK	41	2266001	HDW PIN RELEASE
8	2263102	NUT-HEX 1/4-20 SS 300SRS	25	3397931	REEL, PLASTIC, 24" RETRIEVE	42	2267002	BRK PLATE SWIVEL
9	2263103	NUT-1/4-20 NYLOCK SS	26	3990200	ASSY-CNN, BOOM END	43	2267005	PLATE, BASE (ROUGH)
10	2287002	HDW SPRING RELEASE PIN	27	3994210	CRANK ARM/HANDLE ASM	44	2267006	PLATE - INDEXING 6 STOP
11	2373450	SCREW-#8-18 X 3/8" THRD CUT SS	28	9010001	BEARING NYLINER	45	2277001	HDW RETAINER RELEASE NUT
12	3321001	COVER-CLUTCH	29	9010280	HDW BEARING, THRUST	46	2287002	HDW SPRING RELEASE PIN
13	3390101	KNOB-CANNON, SOFT GRIP	30	3391737	WASHER THRUST, 17-7 SS (qty: 2)	47	2372100	SCREW, #8-18 X 5/8 (QTY: 2)
14	3391955	BASE-MOUNT, MAG ST	31	9040040	HDW BOLT 1/4-20 ROLLEDTHD HOOK	48	9010004	HDW BEARING SWIVEL BASE (QTY: 2)
15	3392033	TUBE, DUAL AXIS RD HLDR	32	9100160	DOG RATCHET	*	2294894	BAG ASSEMBLY
16	3392222	GEAR, 56 TOOTH	33	9250003	HDW PIN 3/16 X 7/8 DOWEL			
17	3392223	GEAR, 28 TOOTH	34	9400040	HDW SPRING CRANK			

*bag assembly not shown in diagram

1901121 UNI-TROLL 5 ST/ E

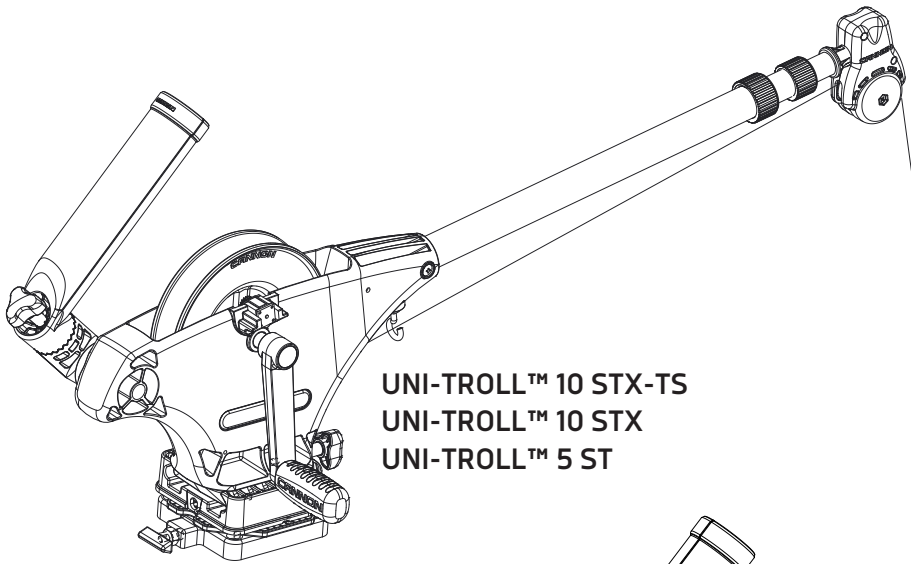


1901121 UNI-TROLL 5 ST/ E

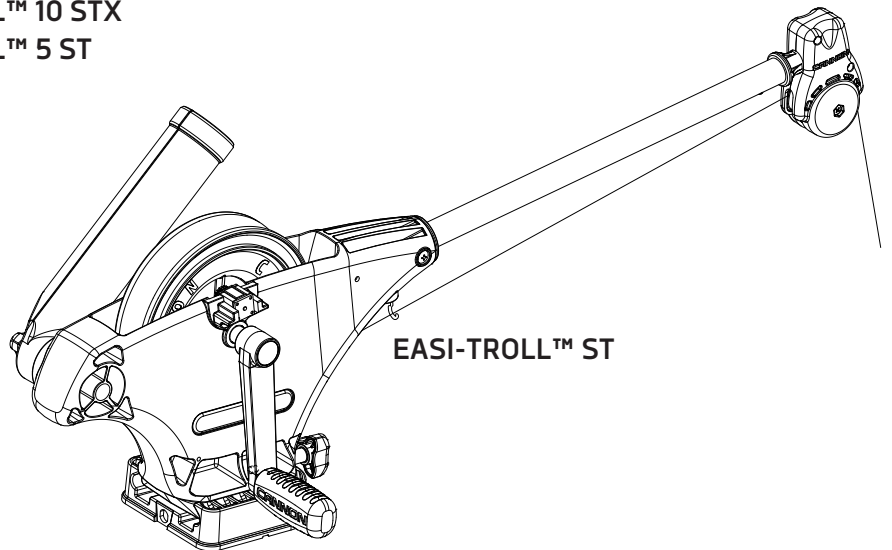
In the U.S.A., replacement parts may be ordered directly from CANNON Parts Dept. Be sure to provide the MODEL and SERIAL num-bers of your downrigger when ordering parts. Please use the correct part numbers from the parts list.

1	0274732	REEL ROUGH	16	3390101	KNOB-CANNON, SOFT GRIP	31	9040040	HDW BOLT 1/4-20 ROLLEDTHD HOOK
2	3391995	PLATE - RATCHET BRAKE	17	3391955	BASE-MOUNT, MAG ST	32	9100160	DOG RATCHET
3	3391990	PLATE - CLUTCH/BRAKE REEL	18	3392033	TUBE, DUAL AXIS RD HLDR	33	9250003	HDW PIN 3/16 X 7/8 DOWEL
4	1000904	ASY SHAFT RATCHET UT6	19	3393461	SCREW-1/4-20 X 2" SS, PPH	34	9400040	HDW SPRING CRANK
5	1080001	SHAFT REEL ET/UT	20	3393480	SCREW-#10X1" PPH HI-LO SS (qty: 4)	35	9400070	HDW SPRING DOG
6	3391710	PAD - CLUTCH	21	3394200	ARM, DUAL AXIS-ROD HLDR	36	3392540	FRAME, MANUAL DR, BLACK
7	2263102	NUT-HEX 1/4-20 SS 300SRS	22	3394702	INSERT, BASE, LO-PRO	37	2277002A	LINE RELEASE
8	2263103	NUT-1/4-20 NYLOCK SS	23	3394722	INSERT, PUSH ON	38	3391904	ASSY-CNN, ROD HOLDER, UT
9	2287002	HDW SPRING RELEASE PIN	24	3395634	DECAL-SIDE, BLACK	*	2294894	BAG ASSEMBLY
10	2290828	24" BOOM - HEAVY DUTY	25	3395905	ADAPTER, BOOM END			
11	2373450	SCREW-#8-18 X 3/8" THRD CUT SS	26	3990200	ASSY-CNN, BOOM END			
12	3320011	COUNTER 3 DIGIT (METRIC)	27	3994210	CRANK ARM/HANDLE ASM			
13	3321001	COVER-CLUTCH	28	9010001	BEARING NYLINER			
14	3333010	GEAR COUNTER (METRIC)	29	9010280	HDW BEARING, THRUST			
15	3333011	GEAR REEL (METRIC)	30	3391737	WASHER THRUST, 17-7 SS (qty: 2)			

*bag assembly not shown in diagram



UNI-TROLL™ 10 STX-TS
UNI-TROLL™ 10 STX
UNI-TROLL™ 5 ST



EASI-TROLL™ ST

EASI-TROLL ST UNI-TROLL ST

MANUAL DOWNRIGGERS

USER MANUAL

CE MASTER USER MANUAL (FOR CE CERTIFIED MODELS)

THANK YOU

Thank you for purchasing a Cannon downrigger. We have designed your new downrigger to be an accurate and reliable tool that will enhance fishing control and improve your ability to catch fish. We hope that you enjoy the use of your new downrigger and enjoy the benefit of controlled depth fishing for years to come by always following safe boating practices and laws wherever you are fishing .

This manual covers installation and the operation of your downrigger. Read this manual carefully before operating your new Cannon downrigger. Retain this manual for future reference.

Please thoroughly read this user manual. Follow all instructions and heed all safety and cautionary notices below. Use of this downrigger is only permitted for persons that have read and understood these user instructions. Minors may use this product only under adult supervision.

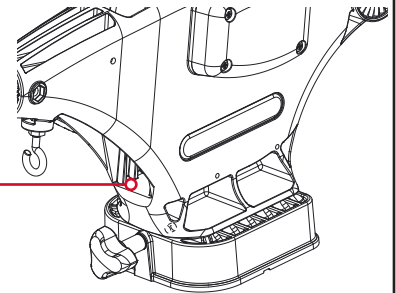
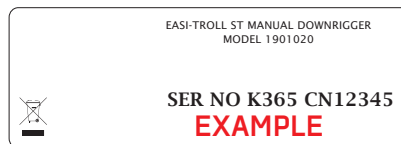
ATTENTION: Your Cannon downrigger should only be used for its intended purpose. Improper use will void the warranty and may be a safety risk.

CAUTION: Persons whose ability to run the downrigger or whose reactions are impaired by alcohol, drugs, medication, or other substances are not permitted to use this product.

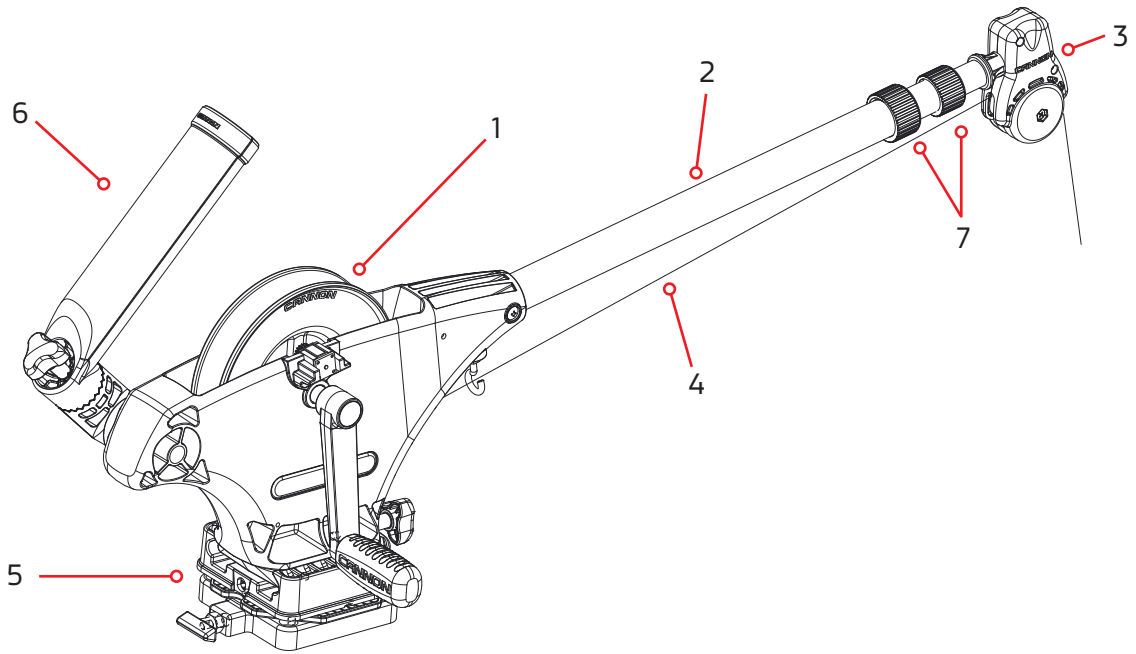
LOCATING YOUR SERIAL NUMBER

Your Cannon 11-character serial number is very important. It helps to determine the specific model and year of manufacture. When contacting Consumer Service or registering your product, you will need to know your product's serial number. We recommend that you write the serial number down in the space provided below so that you have it available for future reference.

The serial number on your Cannon Easi-Troll or Uni-Troll downrigger is located towards the inside of the bottom of the frame.



ASSEMBLY & INSTALLATION



DOWNRIGGER PARTS DESCRIPTION

1. Reel: This is used to spool the cable, available in lengths ranging from 150 to 400 feet.
2. Boom: This is used to extend the weight out from the body of the downrigger and has a pulley fixed to its end. Boom lengths range from 24 to 53 inches.
3. Swivel Head: This relays the cable at the end of the boom to lower the weight.
4. Cable: This connects to the weight.
5. Mounting Base: This attaches to the boat, enabling you to place the downrigger where you choose.
6. Rod Holder: This holds your fishing rods while trolling and may also be used for storing rods.
7. Boom Clamps: These lock the boom sections together after the boom has been extended or retracted.*

* This diagram is for reference only and may differ from your actual downrigger.

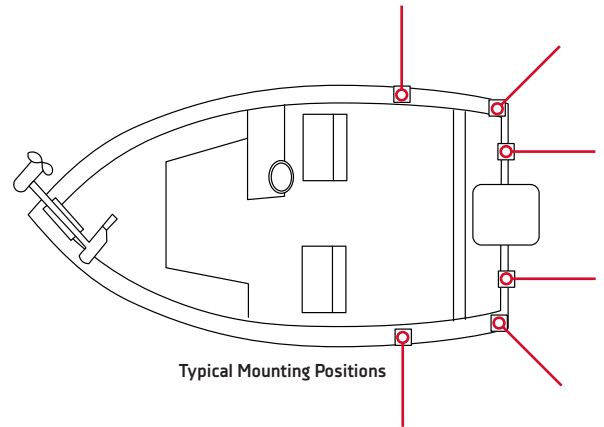
ASSEMBLY & INSTALLATION

DOWNRIGGER MOUNTING

Choosing a good location to mount your downrigger on your boat is very important. A downrigger should be mounted in a location where it is easy to observe your fishing rod and react quickly to operate the downrigger once there is a fish on the line.

MOUNTING ACCESSORIES

Cannon offers a complete line of mounting accessories that allow you to optimize your spread to fit the way you fish. Before making any permanent changes to your boat, consider what accessories might be used in your application.



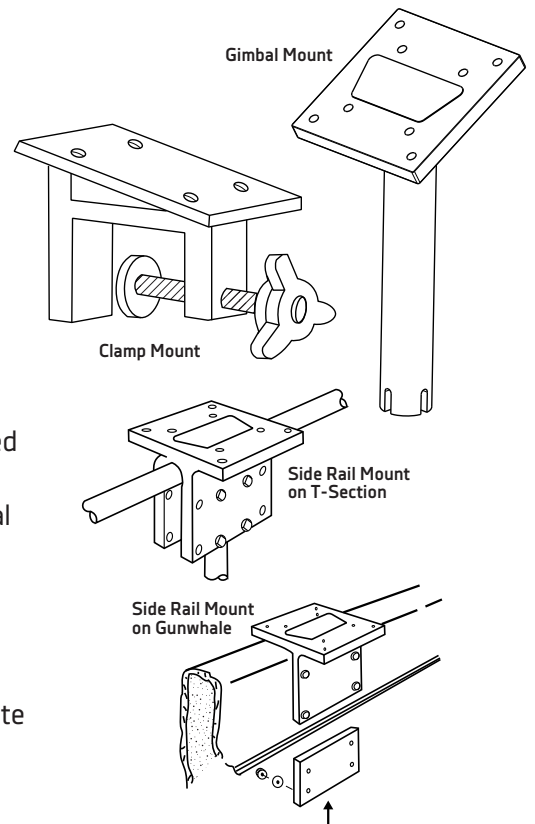
Deck Plates are necessary when extra strength must be added to the base material of the boat and for attaching the downrigger to other mounting accessories.

Gimbal Mounts are designed to fit medium-sized flush mounted rod holders built into the gunwale of many larger fishing boats and cruisers. Only sturdy, high quality rod holders should be used for this temporary mounting system. Gimbal mounts are available in 9" or 12" post lengths.

Clamp Mounts can be mounted at the junction of two rail sections with the aid of two 1/4" pieces of plywood. They will protect your rail from any marks from the clamp and provide a non-slip surface.

Side/Rail mounts can be mounted to a welded T-section. It can also be used at the two rail section butt joint. In both installations it is recommended to use a non-slip material, such as rubber or a thin wood sheet, between metal surfaces.

You can also use these for mounting to a very narrow side gunwale. There is a plate provided for back-up with bolts and washers. If the gunwale compartment is foamed in, then wellnuts should be used. It is also recommended to install two additional flat head screws through the top plate for stabilization (you will need to drill and countersink).



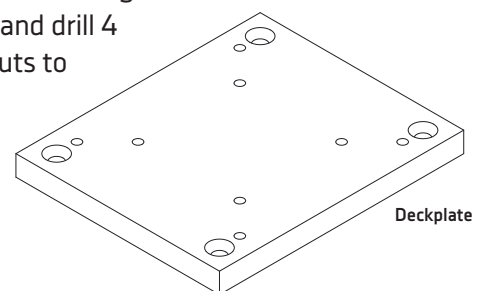
INSTALLING THE INCLUDED MOUNTING BASE

Decks thinner than 1/4"

Use a Cannon deck plate (sold separately - PN 2200693) to prevent deflection and add stability to decks thinner than 1/4". Use the deck plate as a template to mark the hole locations.

If access to the underside of the deck is not available, the deck plate can be mounted using screws and wellnuts (not included). Use the deck plate as a template to mark locations and drill 4 wellnut clearance holes. Use four 1/4-20 x 1-1/2" flat head screws and four wellnuts to mount deck plate. Tighten the screws so the wellnuts are firmly compressed.

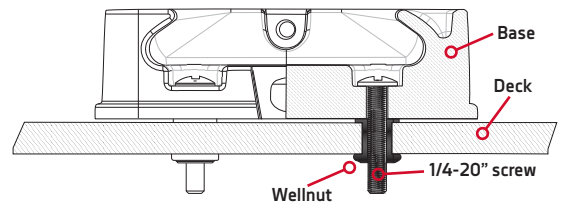
Where the underside is accessible, the deck plate can be mounted using screws, nuts, and washers. Drill 9/32" holes. Use four 1/4-20 x 1-1/2" flat head screws, nuts and washers (flat and lock). Fasten plate to deck. To secure the mounting base to the deckplate use four 1/4-20 x 1" truss head screws.



Deckplate

Decks from 1/4" to 7/16" thick

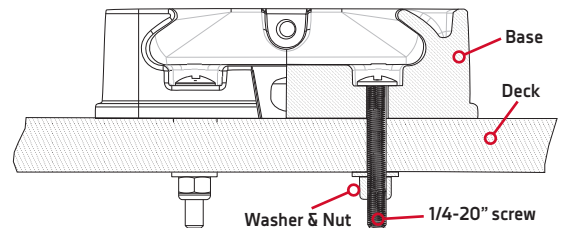
Where access to the underside of the deck is not available, the mounting base can be attached to the deck using wellnuts. Use the base as a template to mark locations and drill four wellnut clearance holes. Mount the base using four 1/4"-20 x 1-1/2" truss head screws and four wellnuts. Tighten the screws so the wellnuts are firmly compressed as pictured.



Decks from 1/4" to 7/16" Thick

Decks thicker than 7/16"

For decks thicker than 7/16", or where the underside of the deck is accessible, mount the base with screws, nuts, and washers. Use the base as a template to mark the locations and drill four 9/32" holes. Use four 1/4"-20 x 2" truss head screws and four each flat washers and nuts. Fasten the base to the deck as pictured.



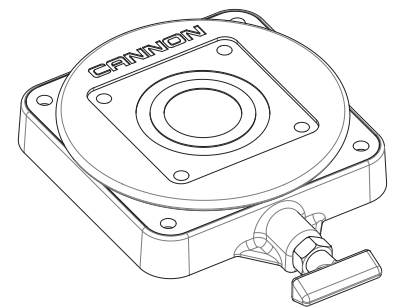
Decks Thicker Than 7/16"

NOTE: Wellnuts SHOULD NOT be used on decks thicker than 7/16".

NOTE: When using the telescopic boom, we strongly recommend the use of a deck plate on all boats to provide adequate stability for the downrigger.

Low-Profile Swivel Base

To mount the Low-Profile Swivel Base, follow the same procedure as for the deck plate with this exception: use four 1/4"-20 x 1-1/2" truss head screws to fasten the mounting base and four additional 1/4"-20" x 2-1/2" truss head screws to attach the swivel base to the boat deck.



Low-Profile Swivel Base

INSTALLING THE BOOM

1. Insert boom into frame (Figure 1) and line up holes in boom with holes in frame.

NOTE: Easi-Troll units require the included boom adapter.

2. Remove 1/4"-20 x 2" bolt and 1/4"-20 nylon locknut from included hardware bag assembly and insert the locknut into the hex pocket on the nose of the frame. Insert 1/4"-20 x 2" bolt into reel side of frame nose. (Figure 2)

3. With a Phillips head screw driver, thread bolt into nylon locknut from step 2 (Figure 2). Tighten bolt until the end of the bolt is flush with the top of the nut. (Figure 3)

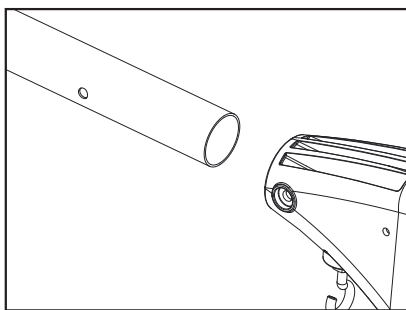


Figure 1

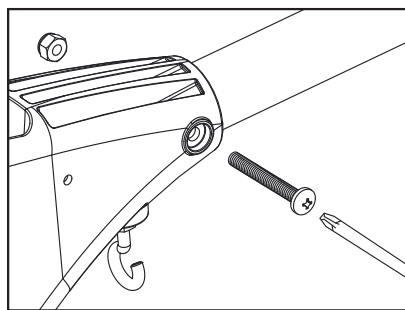


Figure 2

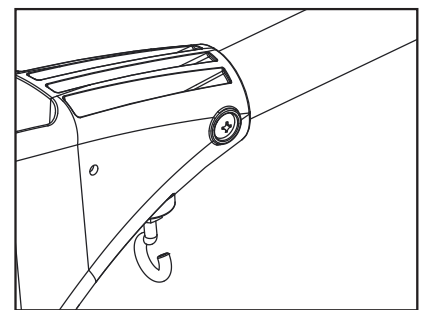


Figure 3

ASSEMBLY & INSTALLATION

INSTALLING THE END PULLEY

1. Locate boom end assembly and then insert boom end post into end of the small tube of the boom assembly. (Figure 4)
2. Align hole in boom post with hole in small end tube.
3. Secure boom end with #8 screw as shown. Tighten with Phillips head screw driver by turning screw clockwise until tight. (Figure 5)

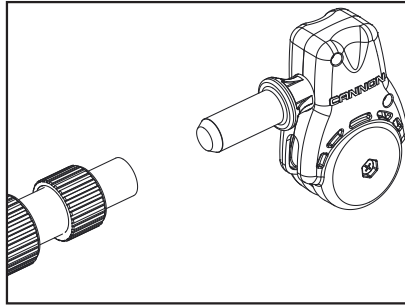


Figure 4

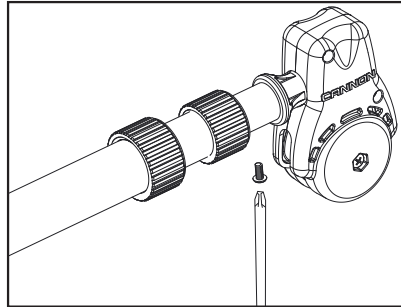


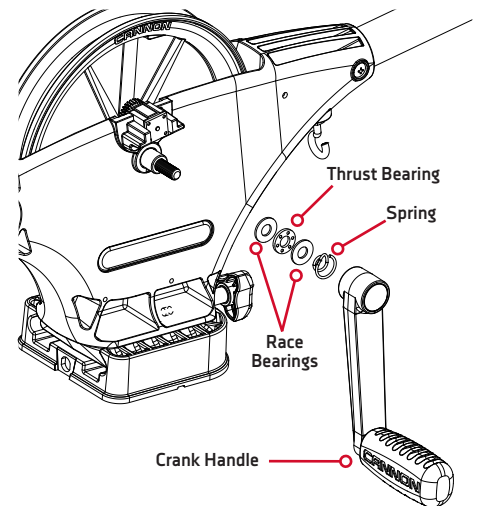
Figure 5

ADJUSTING THE BOOM LENGTH (UNI-TROLL 10 MODELS ONLY)

To adjust the boom length (with the boom extending away from you) rotate the boom clamps (See item # 7 on page 5) approximately $\frac{1}{4}$ turn counter-clockwise to unlock and slide the boom section to the desired position. Once in place, lock the boom clamps by rotating clockwise until tight.

ATTACHING THE CRANK HANDLE ASSEMBLY

1. Make sure the thrust bearing is placed between both thrust washers. The spring should be oriented with the narrow end toward the bearing.
2. Slide the bearing, washers and spring over the shaft.
3. Carefully thread the crank handle onto the shaft and continue turning the handle clockwise until the clutch is fully tightened.



ATTACHING THE ROD HOLDER

The locking rod holder incorporate a locking tooth design which can be easily adjusted every 15° with the soft grip knob. The unique two piece design allows independent adjustment of the rod holder and the rod holder arm in two axes*. (Figure 6)

CAUTION: This rod holder is intended for use of up to 30 lb. test line only and is not recommended for use with any tackle IGFA (International Game Fish Association) rated higher than 30 lb. A safety strap (not included) is recommended for all applications.

NOTE: The rod holder assembly is not covered under warranty when used with tackle above 30 lbs. Equipment placed in the rod holders and the loss thereof is the responsibility of the user and is in no way warranted by Johnson Outdoors, Inc. Mounting must be in accordance with the above instructions to comply with the product warranty.

*Does not apply to Easi-Troll models.

To install the rod holder (Uni-Troll models):

1. Attach the rod holder elbow to the downrigger on the left side using the supplied spring and knob. (Figure 7)
2. Fasten rod holder to rod holder elbow using supplied spring and knob. (Figure 8)

The rod holder can be adjusted by loosening either knob until the locking teeth are free from each other. Rotate the rod holder or arm to the desired position and re-tighten knob.

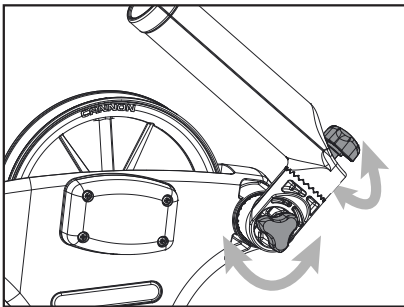


Figure 6

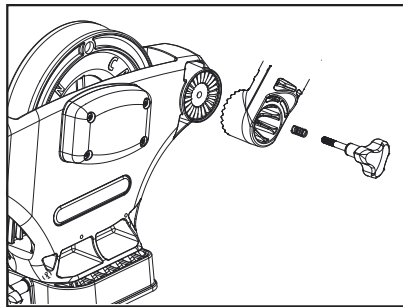


Figure 7

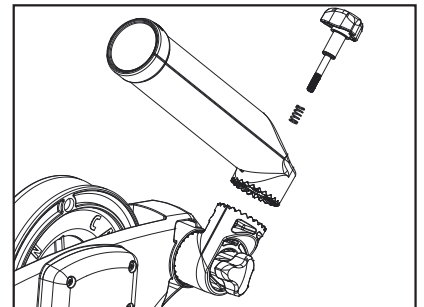


Figure 8

To install the rod holder (Easi-Troll models):

1. Attach the rod holder to the downrigger on the left side using the supplied spring and knob. (Figure 9)

The rod holder can be adjusted by loosening the knob until the locking teeth are free from each other. Rotate the rod holder to the desired position and re-tighten knob.

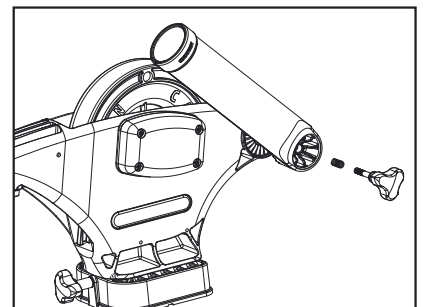


Figure 9

ASSEMBLY & INSTALLATION

TERMINATING THE DOWNRIGGER CABLE

NOTE: Use only straight cable when routing through the terminator. Worn or kinked cable can be stressed and may break prematurely when retrieving trolling weights.

NOTE: A set of pliers with wire cutters is recommended for this part of setup.

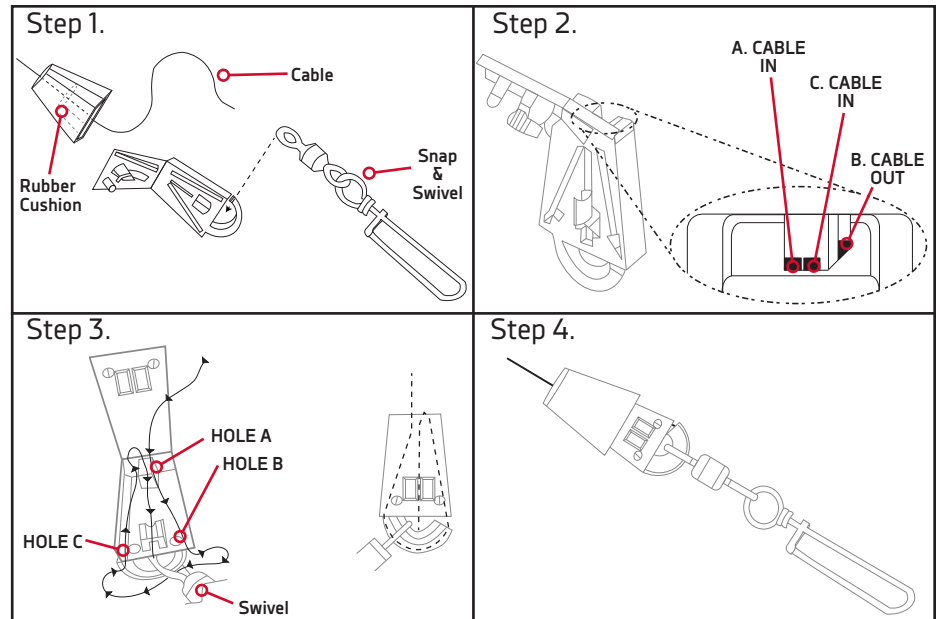
1. Unwind about 2 feet of cable and thread through the rubber cushion. Attach Swivel Snap to terminator.

2. Examine the top of the terminator and note the order shown in the detail to run cable.

3. Lead and pull six inches of cable through HOLE A. Thread cable through swivel, then up into bottom of the terminator. Lead cable out of HOLE B and into HOLE C. Push the cable until its end touches the inside of the terminator hook. Tighten cable by squeezing terminator until it snaps shut. Then pull at top and bottom until drawn tight. Make sure that the cable threads the hook.

NOTE: Use only straight cable, not kinked cable.

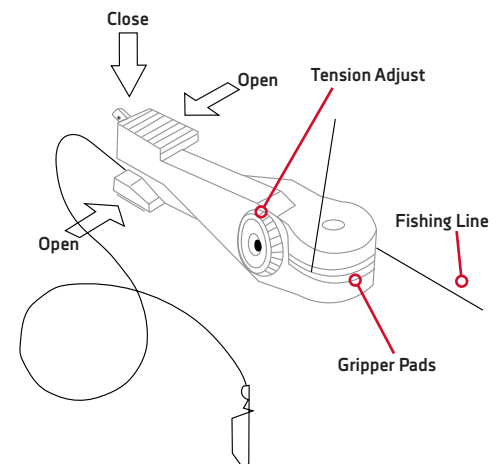
4. Slide the cushion over the top of the terminator and give it a test pull. The cable is now set to attach a Cannon Flash Weight™.



ATTACHING THE LINE RELEASE (UNI-RELEASE)

The Cannon Uni-Release attaches directly to the downrigger weight. Attach fishing line to the clip at the end of the release, and then click through a series of increasing tension settings. The release can be used with any test line on salt or fresh water and may be adjusted from 2 to 22 pounds of grip tension on the line.

To change line release tension, turn tension knob to (+) to increase or (-) to decrease. Tension also may vary according to where the line is placed in the grips. Higher tension is on the line if it is set back toward the hinge, and lower if set closer to the opening. To open the release, spread the release arms with thumb and forefinger applying pressure to the sides.



OPERATING THE DOWNRIGGER

OPERATING YOUR DOWNRIGGER

After mounting the Cannon downrigger to your boat, release some line from your rod and reel so that the lure is anywhere from 5 to 100 feet behind the boat. This is called drop back.

Attach the fishing line firmly into the line release (see “Attaching the Line Release” for instructions). Lower the weight to the desired depth as indicated on the depth meter. Place the fishing rod in the rod holder and reel up the slack so that your rod has a slight bend in it. When a fish strikes the lure, the line will separate from the release. Then you will be free to fight the fish and bring it in on your rod and reel.

LOWERING THE WEIGHT

You can lower the trolling weight at a controlled rate by turning the crank handle gently counter-clockwise (away from the boom). Depending on how far you turn, you can let your trolling weight descend as fast or as slowly as you wish. Turn the crank handle clockwise (toward the boom) until the clutch is tight (the continuous clicking will stop and the handle will not turn forward any further). This gives you control to let it plunge rapidly or sink slowly to a predetermined trolling depth. With multiple downriggers, you could start all your weights creeping down, one at a time, and then stop them each in turn.

RAISING THE WEIGHT

Turn the crank handle clockwise (toward the boom) as rapidly as you desire to retrieve the trolling weight.

ADJUSTING THE CLUTCH TENSION

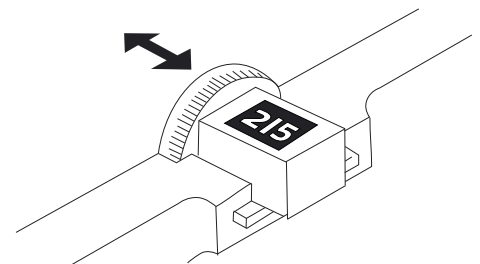
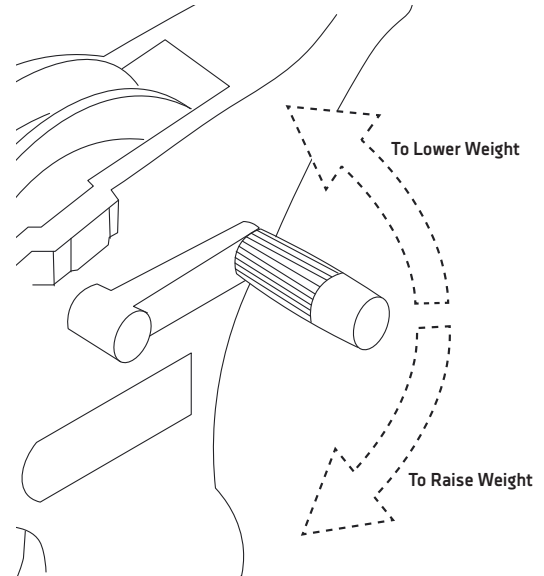
The clutch is built into the crank mechanism. Turn crank handle clockwise to increase the drag and counterclockwise to reduce it.

CAUTION: Remove weight from downrigger before traveling either by water or transporting on trailer.

ADJUSTING THE DEPTH METER

The Cannon Depth Meter provides non-slip accuracy, plus easy resetting. To reset, just slide the meter away from the reel until the gears are disengaged. Spin meter gear to change setting. Spin meter gear to change setting.

NOTE: Actual fishing depth may vary from depth shown on meter due to trolling speed and weight of cannon ball. (See “Blowback”)



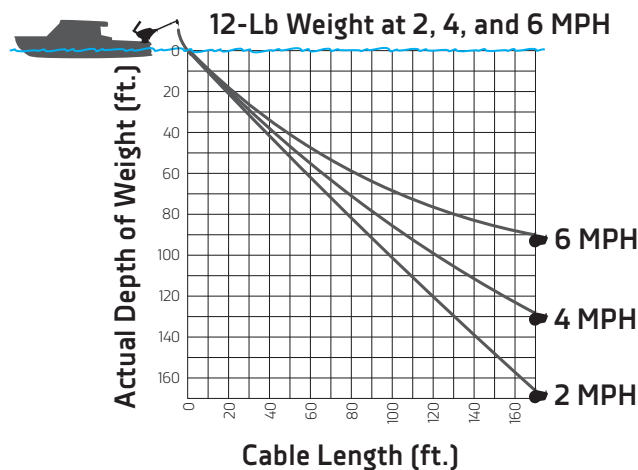
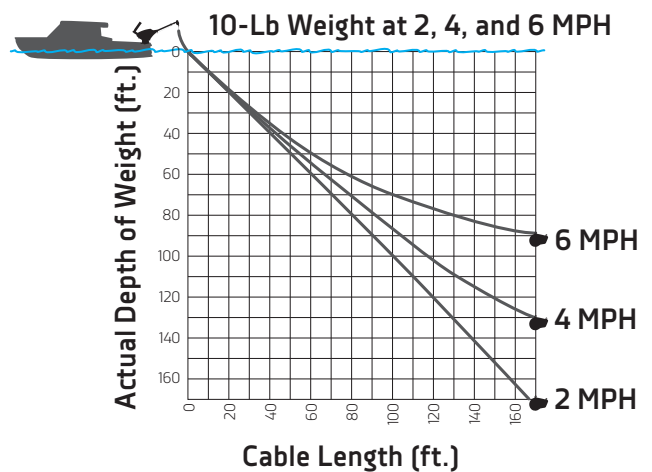
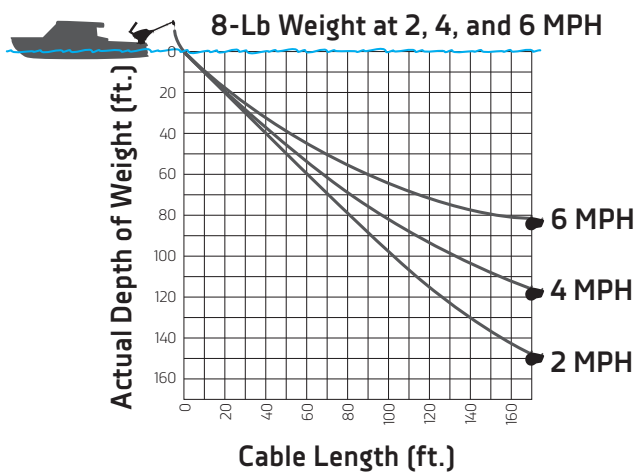
BLOWBACK CALCULATIONS

BLOWBACK

Simply stated, blowback is what happens to the downrigger weight when you pull it through the water behind your boat. As your speed increases, so does the horizontal distance between the weight and your downrigger. The faster you go, the farther the weight is behind you. The farther the weight is behind you, the shallower the weight is.

The following charts provide you with blowback information for three sizes of Cannon downrigger weights pulled at three different speeds with no lures attached and with no current. Current drag, water salinity and the use of non-Cannon products will affect your actual trolling depth.

As an example, the first chart shows that if you are trolling at 4 MPH with an 8 pound weight and you have 100FT. of cable in the water with no current; the down rigger ball is actually at a depth of about 80 FT.



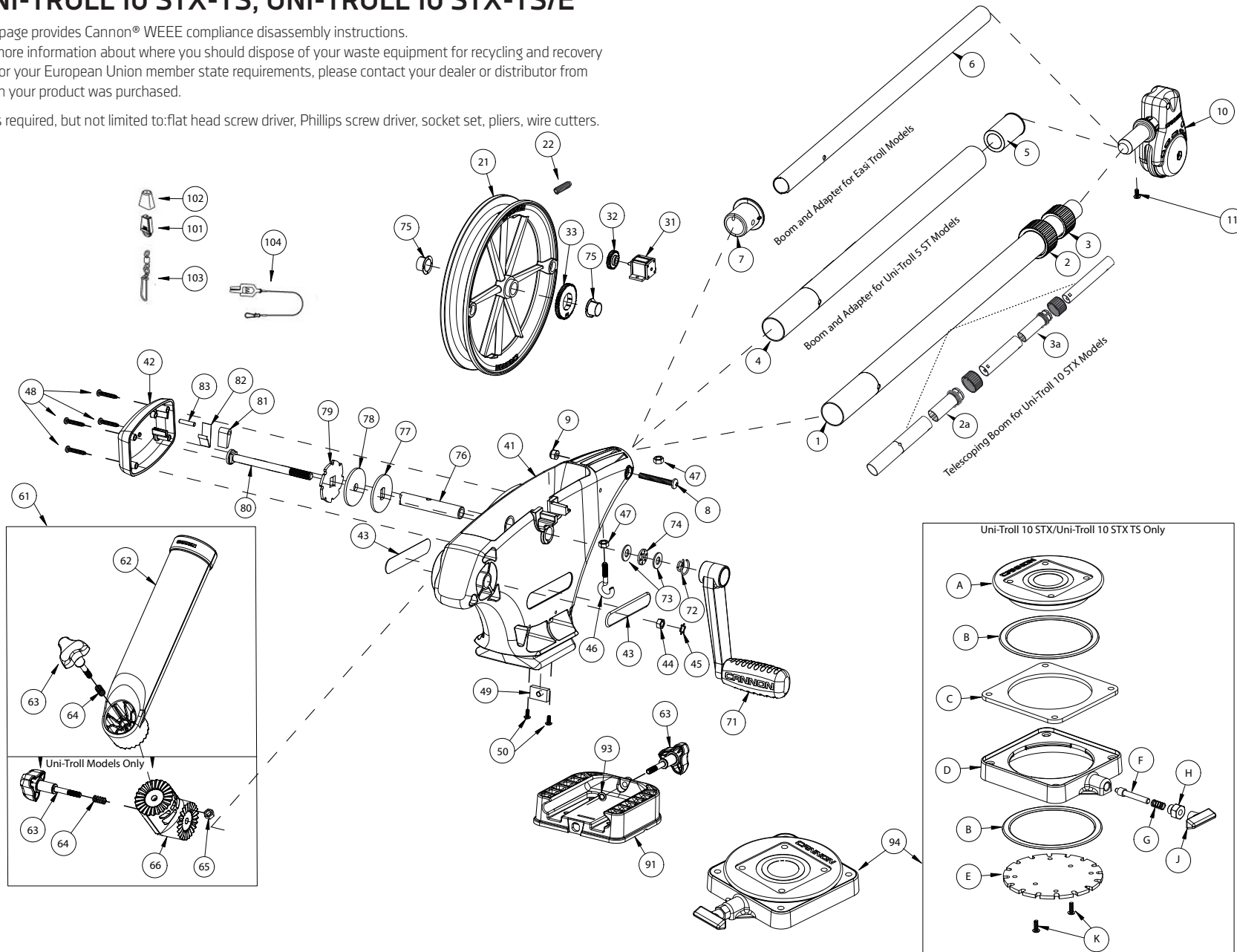
PARTS DIAGRAM

EASI-TROLL ST, EASI-TROLL ST/E UNI-TROLL 5 ST, UNI-TROLL 5 ST/E, UNI-TROLL 10 STX, UNI-TROLL 10 STX/E, UNI-TROLL 10 STX-TS, UNI-TROLL 10 STX-TS/E

This page provides Cannon® WEEE compliance disassembly instructions.

For more information about where you should dispose of your waste equipment for recycling and recovery and/or your European Union member state requirements, please contact your dealer or distributor from which your product was purchased.

Tools required, but not limited to: flat head screw driver, Phillips screw driver, socket set, pliers, wire cutters.



PARTS LIST

ITEM	PART NUMBER	DESCRIPTION	MODEL
BOOM ASSEMBLIES & RELATED PARTS			
1	2210821	TELESCOPING BOOM ASSEMBLY, BLACK	UNI-TROLL 10 STX
	3392010	TELESCOPING BOOM ASSEMBLY, SS	UNI-TROLL 10 STX-TS
2	2219822	CLAMP - BASE TUBE	UNI-TROLL 10 STX UNI-TROLL 10 STX-TS
3	2219823	CLAMP - INTERMEDIATE TUBE	UNI-TROLL 10 STX UNI-TROLL 10 STX-TS
2A	3393300	COLLET - BASE TUBE	UNI-TROLL 10 STX UNI-TROLL 10 STX-TS
3A	3393301	COLLET - MID TUBE	UNI-TROLL 10 STX UNI-TROLL 10 STX-TS
4	2290828	HEAVY DUTY 24" BOOM, BLACK	UNI-TROLL 5 ST
5	3395905	ADAPTER, BOOM END	UNI-TROLL 5 ST
6	3392017	24" BOOM, BLACK	EASI-TROLL ST
7	3395906	ADAPTER, BOOM	EASI-TROLL ST
8	3393461	SCREW-1/4-20 X 2" SS, PPH	ALL MODELS
9	2263103	NUT 1/4-20, NYLOCK, SS	ALL MODELS
10	3990200	BOOM END ASSEMBLY	ALL MODELS
11	2373450	SCREW-#8-18 X 3/8" THRD CUT SS	ALL MODELS
CABLE SPOOLS			
21	3397930	REEL, SS, 24" RETRIEVE	UNI-TROLL 10 STX-TS
	3397931	REEL, PLASTIC, 24" RETRIEVE	UNI-TROLL 10 STX, UNI-TROLL 5 ST
	3397904	REEL, PLASTIC, 18" RETRIEVE	EASI-TROLL ST
22	3393412	SCREW SET 5/16-18X1 HDP RIE	ALL MODELS
COUNTERS & GEARS			
31	0220477	3 DIGIT COUNTER	ALL SAE (COUNT IN FEET)
	3320011	METRIC 3 DIGIT COUNTER	ALL METRIC (COUNT IN METERS)
32	3392223	COUNTER GEAR, 28 TOOTH	SAE UNI-TROLL MODELS (ALL)
	3392229	COUNTER GEAR, 12 TOOTH	METRIC UNI-TROLL MODELS (ALL)
	3333003	COUNTER GEAR, UT HP	SAE EASI-TROLL ST
	3392227	COUNTER GEAR, 15 TOOTH	METRIC EASI-TROLL ST
33	3392222	REEL GEAR, 56 TOOTH	SAE UNI-TROLL MODELS (ALL)
	3392228	REEL GEAR, 72 TOOTH	METRIC UNI-TROLL MODELS (ALL)
	3333004	REEL GEAR, UT HP	SAE EASI-TROLL ST
	3392226	REEL GEAR, 69 TOOTH	METRIC EASI-TROLL ST
DOWNRIGGER FRAME & DECALS			
41	3392540	FRAME, BLACK	ALL BLACK MODELS
	3392541	FRAME, WHITE	UNI-TROLL 10 STX-TS
42	3396420	CLUTCH COVER, BLACK	ALL BLACK MODELS
	3396421	CLUTCH COVER, WHITE	UNI-TROLL 10 STX-TS
43	3395634	DECAL, SIDE, BLACK	ALL MODELS
44	3393130	NUT-HEX 1/4-20 SS, RIE COATED	ALL MODELS
45	3394722	INSERT, PUSH ON	ALL MODELS
46	9040040	HDW BOLT, 1/4-20, ROLLED THD HOOK	ALL UNI-TROLL MODELS
47	3393130	NUT-HEX, 1/4-20 SS 300RS	ALL UNI-TROLL MODELS
48	3393480	SCREW-#10X1" PPH HI-LO SS	ALL MODELS
49	3394702	INSERT, BASE, LO-PRO	ALL MODELS
50	2373450	SCREW-#8-18 X 3/8" THRD CUT SS	ALL MODELS

ITEM	PART NUMBER	DESCRIPTION	MODEL
ROD HOLDER			
61	3991904	DUAL ACCESS ROD HOLDER ASSEMBLY	ALL UNI-TROLL MODELS
	3991906	SINGLE ACCESS ROD HOLDER ASSEMBLY	EASI-TROLL ST
62	3392033	ROD TUBE	ALL MODELS
63	3390101	SOFT GRIP KNOB (2 EA)	ALL MODELS
64	2287002	HDW SPRING, RELEASE PIN	ALL MODELS
65	3393130	NUT 1/4-20, SS, RIE COATED	ALL UNI-TROLL MODELS
66	3394200	ARM, DUAL AXIS ROD HOLDER	ALL UNI-TROLL MODELS
DRIVE COMPOUNDS			
71	3994210	HANDLE ASSEMBLY	ALL MODELS
72	9400040	HDW SPRING, CRANK	ALL MODELS
73	3391737	WASHER, THRUST, 17-7 SS	ALL MODELS
74	9010280	HDW BEARING, THRUST	ALL MODELS
75	9010001	BEARING, NYLINER	ALL MODELS
76	1080001	SHAFT, REEL ET/UT	ALL MODELS
77	3391990	PLATE-CLUTCH/BRAKE REEL	ALL MODELS
78	3391710	PAD-CLUTCH	ALL MODELS
79	3391995	PLATE-RATCHET BRAKE	ALL MODELS
80	1000904	ASY SHAFT RATCHET UT6	ALL MODELS
81	9100160	DOG RATCHET	ALL MODELS
82	9400070	HDW SPRING DOG	ALL MODELS
83	9250003	HDW PIN 3/16" X 7/8" DOWEL	ALL MODELS
MOUNTING BASE			
■	3771930	MOUNTING BASE ASSEMBLY (91,92,93)	ALL MODELS
91	3391955	BASE MOUNT, MAG ST	ALL MODELS
93	3393000	RETAINING RING 1/4" SHAFT	ALL MODELS
94	3991913	SWIVEL BASE ASSEMBLY	UNI-TROLL 10 STX UNI-TROLL 10 STX-TS
A	3396430	TOP, SWIVEL, MOLDED	
B	9010004	HDW BEARING, SWIVEL BASE	
C	3391958	PLATE, SUPPORT TOP	
D	3391923	BASE, SWIVEL MOLDED	
E	3391999	PLATE-INDEX, SWIVEL BASE	
F	3392600	PIN-RELEASE	
G	2287002	HDW SPRING, RELEASE PIN	
H	2277001	HDW, RETAINER RELEASE NUT	
J	2249001	HDW KNB RELEASE PIN	
K	2372100	SCREW-#8-18 X 5/8 THD* SS	
INCLUDED LINE END ACCESSORIES			
101	9100100	CON TERMINATOR	ALL MODELS
102	9100101	CUSHION SLEEVE, TERMINATOR	ALL MODELS
103	9100620	HDW SNAP SWIVEL 4/0-37 MARLIN	ALL MODELS
104	2277002	LINE RELEASE	ALL BLACK MODELS
	2200109	SALTWATER LINE RELEASE	UNI-TROLL 10 STX-TS
MOUNTING HARDWARE			
■	2994894	BAG ASSEMBLY, MOUNTING HARDWARE	ALL MODELS

COMPLIANCE STATEMENTS

ENVIRONMENTAL COMPLIANCE STATEMENT:

It is the intention of JOME to be a responsible corporate citizen, operating in compliance with known and applicable environmental regulations, and a good neighbor in the communities where we make or sell our products.

WEEE DIRECTIVE:

EU Directive 2002/96/EC “Waste of Electrical and Electronic Equipment Directive (WEEE)” impacts most distributors, sellers, and manufacturers of consumer electronics in the European Union. The WEEE Directive requires the producer of consumer electronics to take responsibility for the management of waste from their products to achieve environmentally responsible disposal during the product life cycle.

WEEE compliance may not be required in your location for electrical & electronic equipment (EEE), nor may it be required for EEE designed and intended as fixed or temporary installation in transportation vehicles such as automobiles, aircraft, and boats. In some European Union member states, these vehicles are considered outside of the scope of the Directive, and EEE for those applications can be considered excluded from the WEEE Directive requirement.



This symbol (WEEE wheeled bin) on product indicates the product must not be disposed of with other household refuse. It must be disposed of and collected for recycling and recovery of waste EEE.

Johnson Outdoors Inc. will mark all EEE products in accordance with the WEEE Directive. It is our goal to comply in the collection, treatment, recovery, and environmentally sound disposal of those products; however, these requirements do vary within European Union member states. For more information about where you should dispose of your waste equipment for recycling and recovery and/or your European Union member state requirements, please contact your dealer or distributor from which your product was purchased.

DISPOSAL:

Johnson Outdoors Inc. products are not subject to the disposal regulations EAG-VO (electric devices directive) that implements the WEEE directive. Nevertheless never dispose of your product in a garbage bin but at the proper place of collection of your local town council.

Never dispose of battery in a garbage bin. Comply with the disposal directions of the manufacturer or his representative and dispose of them at the proper place of collection of your local town council.

WARNING: This product contains chemicals known to the State of California to cause cancer and birth defects or other reproductive harm.

RECOMMENDED ACCESSORIES

ROD HOLDERS & TRACK SYSTEMS

Incredible versatile rod holders, rock-solid bases and plates. It's everything you need to rig your boat up to fit the way you fish - and you can mount it all up on our track system, which features interchangeable components made of high-strength aluminum.



DUAL AXIS ADJUSTABLE
ROD HOLDER



ALUMINUM MOUNT TRACK



SWIVEL BASE PEDESTAL

MOUNTS

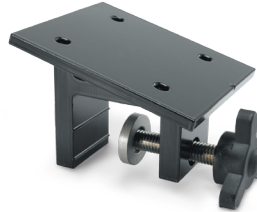
Rig it up and reel 'em in with a variety of mounting options suited to fit the way you fish.



SWIVEL BASE



DECK PLATE



CLAMP MOUNT



GIMBAL MOUNT

LINE RELEASES & WEIGHTS

We offer a wide variety of downrigger accessories designed to give you the best fishing experience:



- Uni-Line Release
- Uni-Stacker Release
- 4 to 12 lb. weights