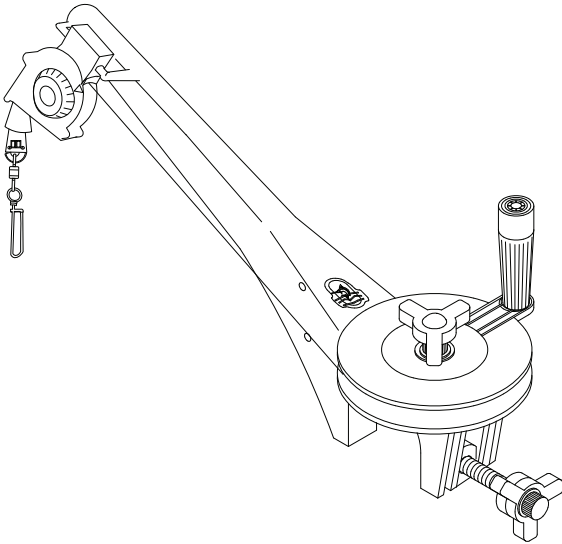


**CAUTION:** Read this manual carefully before operating your new Cannon Downrigger. Retain for future reference.



## MOUNTING TO YOUR BOAT

Depending on boat application, the spacer block (supplied) may be required. To attach the spacer block to the main frame, simply slide the dovetail shaped tab of the block into the matching recess in the frame. Make sure that the holes in the block face down.

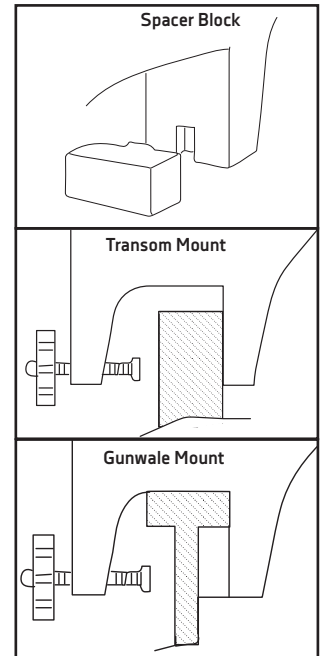
### Transom Mount

Depending on transom width, a wood block may be required to allow the rigger to clamp properly.

### Gunwale Mount\*

On thin-walled aluminum boats, it is recommended that a wood block be used on the inside of the boat. This will distribute the clamping force to a larger area to prevent possible boat damage. Depending on rail overhang, a wood block may also be required on the outside of the boat.

\*We recommend you mount Mini-Troll off the transom of your boat (if possible), so that the weight is being pulled directly behind the downrigger. Mounting your Mini-Troll the gunwale is not recommended as lateral stress on the frame may cause cracking.

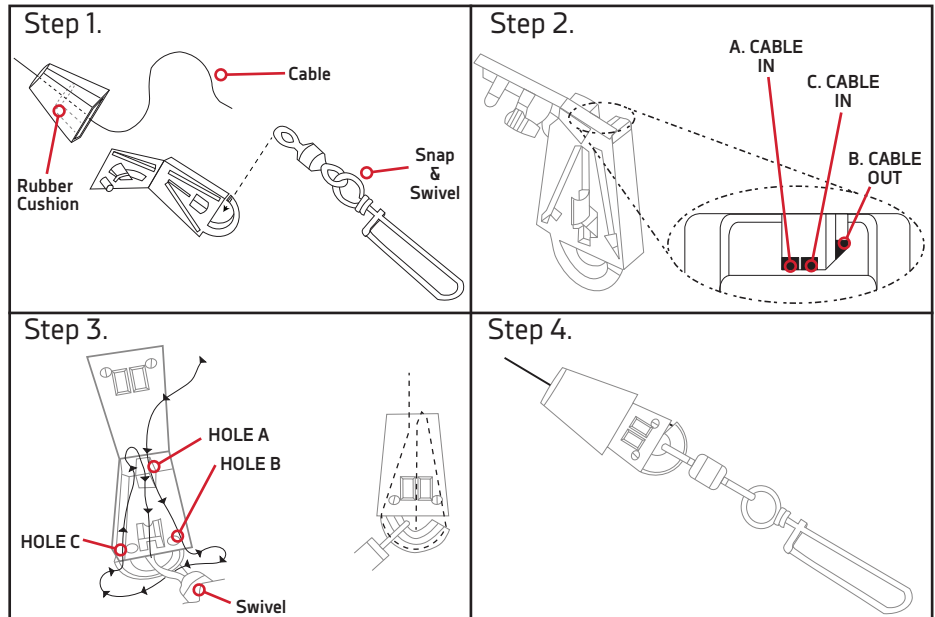


## TERMINATING THE DOWNRIGGER CABLE

**NOTE:** Use only straight cable when routing through the terminator. Worn or kinked cable can be stressed and may break prematurely when retrieving trolling weights.

**NOTE:** A set of pliers with wire cutters is recommended for this part of setup.

1. Unwind about 2 feet of cable and thread through the rubber cushion. Attach Swivel Snap to terminator.
2. Examine the top of the terminator and note the order shown in the detail to run cable.
3. Lead and pull six inches of cable through HOLE A. Thread cable through swivel, then up into bottom of the terminator. Lead cable out of HOLE B and into HOLE C. Push the cable until its end touches the inside of the terminator hook. Tighten cable by squeezing terminator until it snaps shut. Then pull at top and bottom until drawn tight. Make sure that the cable threads the hook.



**NOTE:** Use only straight cable, not kinked cable.

4. Slide the cushion over the top of the terminator and give it a test pull. The cable is now set to attach a Cannon Flash Weight™.

## FISHING WITH THE MINI-TROLL DOWNRIGGER

1. The downrigger should be clamped to a solid and secure position on the transom of the boat. (Figure 1)
2. Use the Mini-Troll with a 4-lb. weight and line release (Figure 2), and rod holder. All are available in the Mini-Troll Accessory Pack (Part #2250005, sold separately). Attach the weight to the downrigger cable, and the release to the weight. Put the rod in the holder and clip your fishing line between the release pads.
3. Put your fishing reel into free spool so that the fishing line will be released as the downrigger weight is lowered.
4. With one hand on the downrigger reel handle, loosen the adjustment knob at the top center of the reel and lower the weight by turning the reel handle clockwise. One rotation of the reel equals 1 foot of depth. Do not let go of the reel handle while lowering the weight.
5. Once the weight is at the desired depth, tighten the adjustment knob to hold the cable in place.
6. Retrieve enough of the fishing line to put a deep bend in the fishing rod.
7. Your lure will trail behind the downrigger weight at your set distance. When you have a strike, the force of the fish striking the lure will pull the fishing line out of the release, detaching it from the weight (Figures 3 & 4). This will cause your rod to spring up, indicating that there is a fish on the line.
8. While you play the fish on the free line, the downrigger weight should be raised using the cable reel to avoid tangles. To retrieve the weight, loosen the adjustment knob and turn the cable reel handle clockwise. Once retrieved, tighten the adjustment knob to hold the weight out of the water..

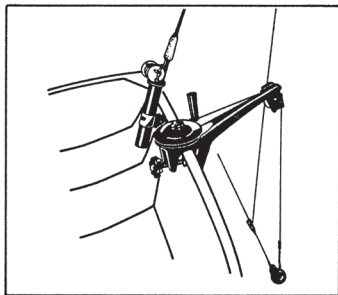


Figure 1

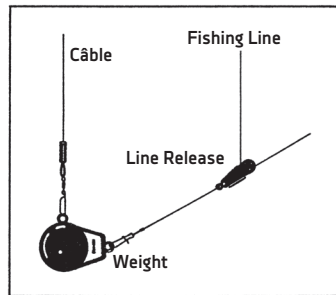


Figure 2

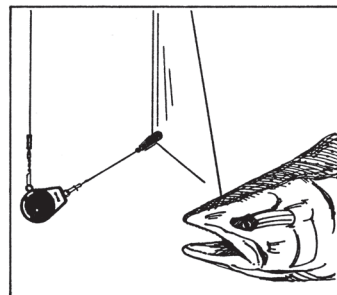


Figure 3

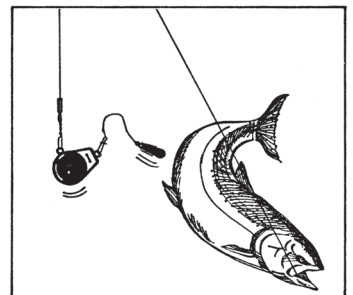


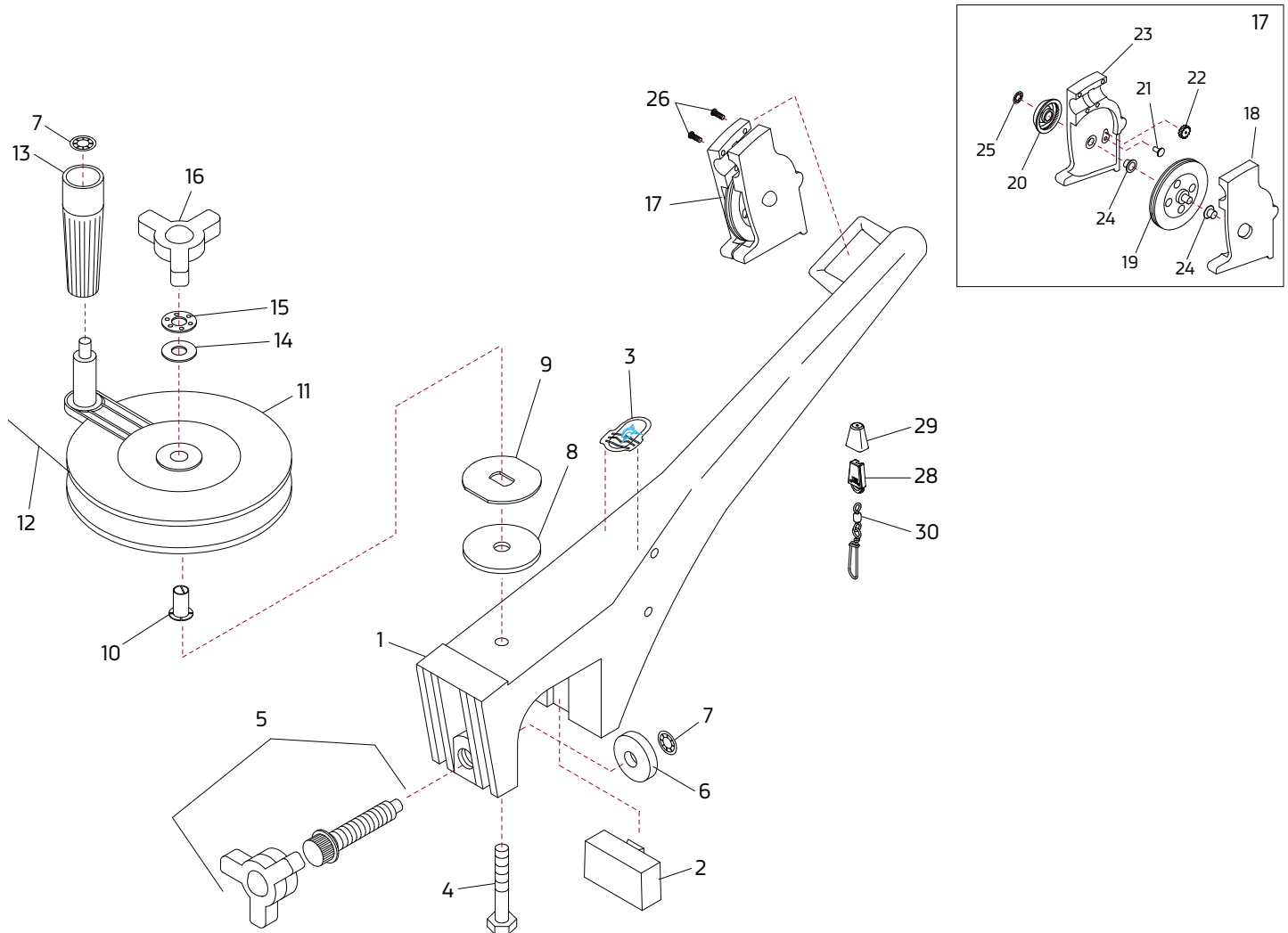
Figure 4

# PARTS DIAGRAM & LIST

## MINI-TROLL MANUAL DOWNRIGGER

This page provides Cannon® WEEE compliance disassembly instructions. For more information about where you should dispose of your waste equipment for recycling and recovery and/or your European Union member state requirements, please contact your dealer or distributor from which your product was purchased.

Tools required, but not limited to: flat head screw driver, Phillips screw driver, socket set, pliers, wire cutters.



ITEM	QTY	PART NUMBER	DESCRIPTION
1	1	3770001	ASY FRAME MAIN MINI TROLL
2	1	3391500	HDW SPACER, MINI TROLL, MACH
3	1	0327001	DEC EMBLEM NOSE MT
4	1	9040380	HDW BOLT 3/8-24 X 2 HEX HEAD
5	1	3778902	CNN ASY, CLAMP SCREW
6	1	9100010	PAD CLAMP PAR CLAMP
7	1	9100690	HDW RING PUSH CLAMP PAD
8	1	3391710	ASY CLUTCH PAD SM HOLE
9	1	3391991	ASY HDW CLTCH PLATE M-TRL
10	1	9010512	HDW BEARING NYLINER 611-F
11	1	0387001	SPOOL CENTER MINI TROLL
12	1	3775392	150' CABLE
13	1	0240591	HDW HANDLE CRANK SERRATED
14	1	3391737	HDW WASHER, THRUST, 410 SS
15	1	9010280	HDW BEARING, THRUST

ITEM	QTY	PART NUMBER	DESCRIPTION
16	1	3779002	ASY KNOB SPOOL ADJUST
17	1	3774001	ASY HEAD SW W/COUNTER (INCLUDES 18-24)
18*	1	0267001	PLATE SIDE (RIGHT)
19*	1	0269726	HDW PULLY WHEEL SWIVEL HD
20*	1	0325002	ASY METER COUNTER (PRINTED)
21*	1	0333001	GEAR INTERMEDIATE
22*	1	0333002	GEAR REDUCTION
23*	1	0367004	ASY SMS PLATE SIDE LT W/C
24*	1	9010070	HDW BEARING BRASS
25	1	9100690	HDW RING PUSH CLAMP PAD
26	2	9370010	HDW SCR #4X1/2 PAN HD PHIL
28	1	9100100	CON TERMINATOR
29	1	9100101	CUSHION SLEEVE TERMINATOR
30	1	9100620	HDW SNAP SWIVEL

# CANNON<sup>®</sup> MINI-TROLL<sup>™</sup>



**CAUTION:**  
READ THIS MANUAL CAREFULLY  
BEFORE OPERATING YOUR NEW  
CANNON<sup>®</sup> DOWNRIGGER. RETAIN  
FOR FUTURE REFERENCE.

## Controlled-Depth Fishing with the Mini-Troll

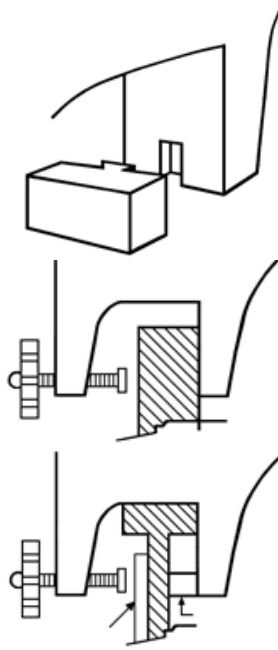
Controlled depth fishing enables fishermen to place a lure at a desired depth by utilizing a downrigger. Because of varying factors (water temperature, thermocline, weather, tides, time of day, or time of year) it is necessary for successful fishing to maintain specific water depths that coincide with fish movements and feeding patterns.

One essential feature of the downrigger is the depth meter or gauge that indicates lure depth. This allows the angler to control the specific depth and return to depths where fish have been caught before. With your new Mini-Troll downrigger you now have a huge advantage by putting your lure where the fish are. So using Cannon downriggers will make your fishing more successful and more enjoyable.

## Setting Up Your Downrigger

### Terminator Instructions

<p><b>1</b></p> <p>Rubber Cushion</p> <p>Cable</p> <p>Unwind about 2 feet of cable and thread the cable through the rubber cushion.</p> <p>Attach swivel to terminator.</p> <p>Snap &amp; Swivel</p> <p>Tip: A set of pliers with wire cutters is recommended for this part of setup.</p>	<p><b>2</b></p> <p>Examine the top of the terminator and note the order shown in the detail to run cable.</p> <p>A Cable In</p> <p>C Cable In</p> <p>B Cable Out</p>
<p><b>3</b></p> <p>Lead cable into HOLE A. Pull six inches of cable through. Thread cable through swivel, then up into bottom of the terminator.</p> <p>Lead cable out of HOLE B and into HOLE C. Push the cable until its end touches the inside of the terminator hook.</p> <p>TIP: Use only straight cable, not kinked.</p> <p>Tighten cable by squeezing terminator until it snaps shut. Then pull at top and bottom until drawn tight. Make sure that the cable threads the hook.</p> <p>Swivel</p>	<p><b>4</b></p> <p>Slide the cushion over the top of the terminator and give it a test pull.</p> <p>The cable is now set to attach a Cannon Trolling Weight.</p>



## Mounting to Your Boat

Depending on boat application, the spacer block (supplied) may be required. To attach the spacer block to the main frame, simply slide the dovetail shaped tab of the block into the matching recess in the frame. Make sure that the holes in the block should face down.

## Transom Mount

Depending on transom width, a wood block may be required to allow the rigger to clamp properly.

## Gunwale Mount

On thin-walled aluminum boats, it is recommended that a wood block be used on the inside of the boat. This will distribute the clamping force to a larger area to prevent possible boat damage.

Depending on rail overhang, a wood block may also be required on the outside of the boat.

## Maintaining Your Downrigger

### Freshwater Operation

At the beginning of each fishing season, place a drop of oil on the cable reel shaft, the swivel head pulley bearings, and the cable reel thrust bearings.

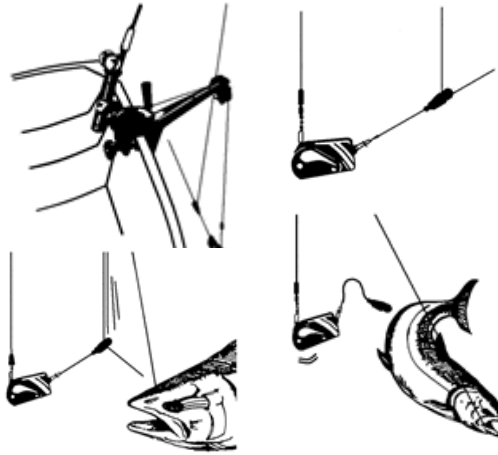
### Saltwater Operation

Clean unit thoroughly after each trip and lubricate as above on a more frequent basis.

### How to Fish with the Mini-Troll

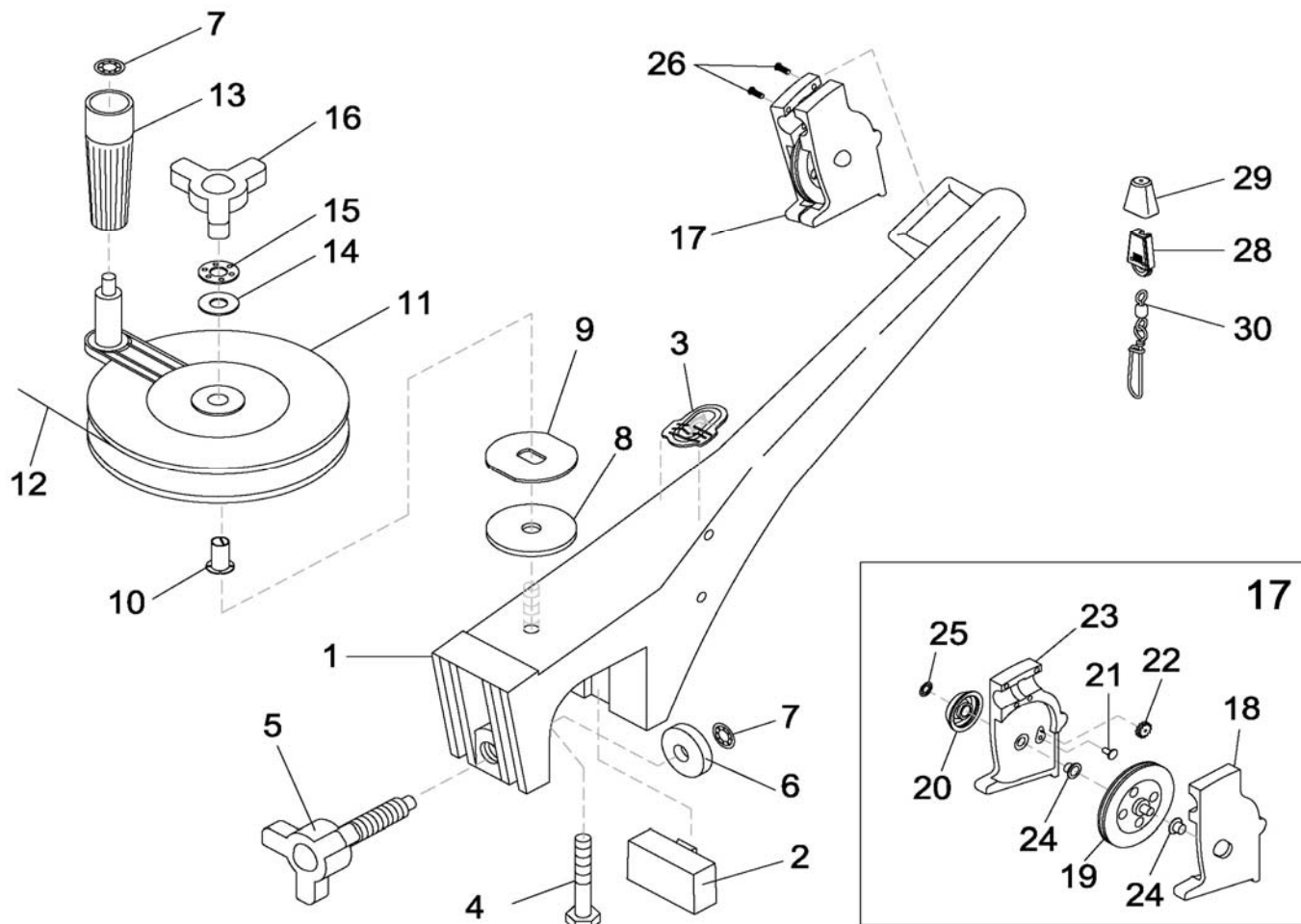
Use the Mini-Troll with a 4-lb. weight, line release, and rod holder. All are available in the **Mini-Troll Accessory Pack**. Attach the weight to the downrigger cable and the line release to the weight. Put your fishing rod into the rod holder and clip your fishing line between the release pads.

Your lure trails behind the downrigger weight (about 5 to 30 feet typically). The force of the fish striking the lure pulls the fishing line out of the release.



Put your fishing reel in free spool. With one hand on the cable reel handle, unlock the reel and lower the trolling weight. Do not let go of the handle when lowering the weight. One turn equals one foot of depth. Lock the downrigger weight at your chosen depth. Retrieve enough fishing line to put a deep bend in the rod.

While you play the fish on a free line, the downrigger weight should be raised using the cable reel to avoid tangles.



In the U.S.A., replacement parts may be ordered directly from CANNON Parts Dept. In Canada, parts may be ordered from any of the Canadian Authorized Service Centers shown on the enclosed list. Be sure to provide the MODEL and SERIAL numbers of your downrigger when ordering parts.

1	0330001	MINI TROLL FRAME	16	0349002	SPOOL ADJUST KNOB
2	3391500	SPACER BLOCK	17	0444001	SWIVEL HEAD ASSEMBLY W/ COUNTER
3	0327001	DECAL - NOSE, MINI-TROLL	18	0267001	▶SIDE PLATE (RH)
4	9040380	HEX HEAD BOLT 3/8"-24 x 2" LONG	19	0269726	▶PULLY - SWIVEL HEAD
5	2998902	KNOB AND CLAMP SCREW ASSEMBLY	20	0325002	▶COUNTER - SWIVEL HEAD
6	9100010	CLAMP PAD	21	0333001	▶GEAR - INTERMEDIATE, SWIVEL HEAD
7	9100690	RETAINING RING - PUSH ON [2.EA]	22	0333002	▶GEAR - REDUCTION, SWIVEL HEAD
8	1264670	CLUTCH PAD	23	0367004	▶SIDE PLATE (LH), W/ COUNTER
9	0367002	CLUTCH PLATE	24	9010070	▶HDW BEARING BRASS[2.EA]
10	9010512	SPOOL BEARING - NYLINER	25	9100690	▶CLAMP - RING, PUSH ON
11	0387001	REEL - MINI TROLL	26	9370010	PHILLIPS PAN HEAD SCREW #4 x 1/2"
12	3775392	SPOOL CABLE SS [150.FT]	27	2994890	*BAG ASSEMBLY - MOUNTING, MINITROLL
13	0240591	CRANK HANDLE	28	9100100	TERMINATOR
14	9010310	WASHER - THRUST	29	9100101	TERMINATOR CUSHION
15	9010280	BEARING - THRUST	30	9100620	TERMINATOR SNAP & SWIVEL

> PART OF ASSEMBLY

▶ ITEM CANNOT BE SOLD SEPARATELY

\* PARTS USED BUT NOT SHOWN