



Magnum 5 ST
Magnum 10 STX
Magnum 10 STX TS
Owner's Manual



Introduction

Overview

Thank you for purchasing the Cannon Magnum electric downrigger. We have designed your new downrigger to be an accurate and reliable tool that will enhance fishing control and improve your ability to catch fish.

This manual covers installation and the functions of the Magnum 5 ST, Magnum 10 STX, and Magnum 10 STX TS. The Tournament Series version of the Magnum 10 is fitted with a cast stainless steel reel, brushed finish stainless steel boom, and a white frame.

Safety and Cautions

Your Cannon downrigger should only be used for its intended purpose. Improper use will void the warranty and may be a safety risk.

We hope that you enjoy the use of your new downrigger and enjoy the benefit of controlled depth fishing for years to come by always following safe boating practices and laws for wherever you are fishing.

Read this manual carefully before operating your new Cannon Downrigger. Retain this manual for future reference.



CANNON LIMITED WARRANTY

Johnson Outdoors Marine Electronics, Inc. warrants to the original purchaser that if the accompanying product (see exclusions below) proves to be defective in material or workmanship within the following warranty periods, Johnson Outdoors Marine Electronics, Inc. will, at its option, either repair or replace same without charge (but no cash refunds will be made):

- 1) The boom, motor, and reels, plus all composite parts, including but not limited to frames and bases, will be free from defects in materials and workmanship, subject to normal wear and tear, for the original purchaser's lifetime.
- 2) All other items will have limited warranties from the date of original retail purchase, except THE FOLLOWING ITEMS THAT HAVE NO WARRANTY WHATSOEVER: boot covers, clothing, Dacron line, rubber bands, swivel lock pin, weights, and wire cable.
This limited warranty may be enforced only by the original purchaser; all subsequent purchasers acquire the product "as is" without any benefit of this limited warranty. Repair or replacement of the product as set forth in this limited warranty shall be the original purchaser's sole and exclusive remedy and Johnson Outdoors Marine Electronics, Inc.' sole and exclusive liability for breach of this warranty.

EXCLUSIONS

This warranty does not apply in the following circumstances:

- When the product has been connected, installed, combined, altered, adjusted, serviced, repaired, or handled in a manner other than according to the instructions furnished with the product
- When the motor housing is opened by anyone other than Cannon® Authorized service repair personnel.
- When any defect, problem, loss, or damage has resulted from any accident, misuse, negligence, carelessness, or abnormal use, or from any failure to provide reasonable and necessary maintenance in accordance with the instructions of the owner's manual

LIMITATION AND EXCLUSION OF IMPLIED WARRANTIES AND CERTAIN DAMAGES

.....
THERE ARE NO EXPRESS WARRANTIES OTHER THAN THESE LIMITED WARRANTIES. JOHNSON OUTDOORS MARINE ELECTRONICS, INC. DISCLAIMS LIABILITY FOR INCIDENTAL AND CONSEQUENTIAL DAMAGES, AND IN NO EVENT SHALL ANY IMPLIED WARRANTIES (EXCEPT ON THE BOOM, MOTOR, REELS, AND ALL COMPOSITE PARTS), INCLUDING ANY IMPLIED WARRANTY OF MERCHANTABILITY OR FITNESS FOR PARTICULAR PURPOSE, EXTEND BEYOND ONE YEAR FROM THE DATE OF PURCHASE (AND IN THE CASE OF THE BOOT COVERS, CLOTHING, DACRON LINE, RUBBER BANDS, SWIVEL LOCK PIN, WEIGHTS, AND WIRE CABLE, JOHNSON OUTDOORS MARINE ELECTRONICS, INC. DISCLAIMS ALL IMPLIED WARRANTIES). THIS WRITING CONSTITUTES THE ENTIRE AGREEMENT OF THE PARTIES WITH RESPECT TO THE SUBJECT MATTER HEREOF; NO WAIVER OR AMENDMENT SHALL BE VALID UNLESS IN WRITING SIGNED BY JOHNSON OUTDOORS MARINE ELECTRONICS, INC.

Some states do not allow limitations on how long an implied warranty lasts or the exclusion or limitation of consequential damages, so the above limitation or exclusion may not apply to you. This warranty gives you specific legal rights, and you may also have other rights that vary from state to state.

CANNON® SERVICE POLICY

AFTER THE APPLICABLE WARRANTY PERIOD

After the applicable warranty period, or, if one of the above exclusions applies, Cannon products will be repaired for a charge of parts plus labor. All factory repairs, after the applicable warranty period, carry Limited Warranty, subject to the exclusions and limitations stated above.

TO ENFORCE WARRANTY OR TO OBTAIN REPAIRS AFTER WARRANTY

To obtain warranty service in the U.S., the downrigger or part believed to be defective and the proof of original purchase (including the date of purchase) must be presented to a Cannon Authorized Service Center or to Cannon's factory service center in Mankato, MN. Except as noted below, any charges incurred for service calls, transportation or shipping/freight to/from the Cannon Authorized Service Center or Cannon's factory, labor to haul out, remove, re-install or re-rig products for warranty service, or any similar items are the sole and exclusive responsibility of the purchaser. Downriggers purchased outside of the U.S. (or parts of such downriggers) must be returned prepaid with proof of purchase (including the date of purchase and serial number) to any Authorized Cannon Service Center in the country of purchase. If the necessary repairs are covered by the warranty, we will pay the return shipping charges to any destination within the United States.

DO NOT return your Cannon downrigger or parts to your retailer. Your retailer is not authorized to repair or replace them.

Major parts, such as the motor and main frame, must be returned to Johnson Outdoors Marine Electronics, Inc. in Mankato, Minnesota, or a Cannon Authorized Service Center, for repair or replacement. To reduce shipping costs, we suggest removal of loose parts such as the boom and rod holders. Small parts that can be easily removed such as the handle and/or the counter, may be removed from the downrigger and returned for repair or replacement.

Introduction to Controlled Depth Fishing

Undoubtedly there are many fishermen familiar with the methods and use of controlled depth fishing. During the mid 1960's the state of Michigan introduced Pacific salmon into the Great Lakes in an attempt to revitalize its sport fishing industry. From this successful transplant, new fishing techniques and equipment were developed. One such method was controlled depth fishing which enabled fishermen to place a lure at a desired depth by utilizing downriggers.

Because of the varying factors (water temperature, thermocline, weather, tides, time of day, or time of year) it is necessary for successful fishing to maintain specific water depths that coincide with fish movements and feeding patterns.

One essential feature of the downrigger is the depth meter or gauge that indicates lure depth. This allows the angler to control as well as return to specific depths where fish have been caught.

Due to the success of controlled depth fishing, downriggers are now being used throughout the world to catch a wide variety of species in both fresh and salt water. Whether fishing for blues off Rhode Island, walleyes in Lake Erie, sailfish off the coast of Florida, or stripers in Tennessee, the use of downriggers will make your fishing more successful and more enjoyable.



Magnum 10 STX TS

Parts Description

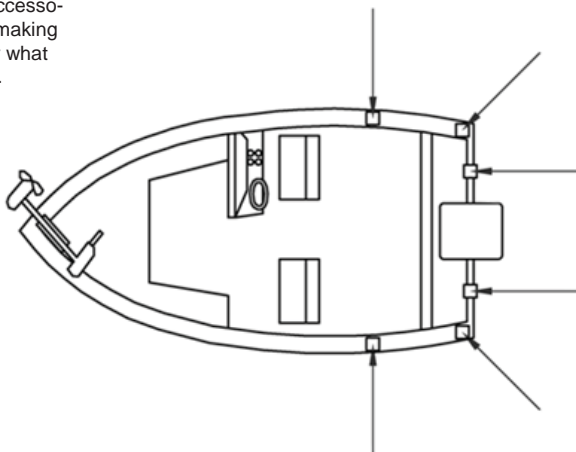
1. **Reel** This is used to spool the cable, available in lengths ranging from 150 to 400 feet.
2. **Boom** This is used to extend the weight out from the body of the downrigger and has a pulley fixed to its end. Boom lengths range from 24 to 53 inches. Boom is a fixed 24 inches on the Magnum 5 ST model.
3. **Swivel Head** This relays the cable at the end of the boom to lower the weight.
4. **Cable** This connects to the weight. Cable material is 150 lb. test stainless steel cable.
5. **Toggle Switch** This controls the power to the downrigger, up and down.
6. **Mounting Base** This attaches to the boat, enabling you to place the downrigger where you choose.
7. **Rod Holder** This holds your fishing rods while trolling and may also be used for storing rods.
8. **Boom Clamps** These lock the boom sections together after the boom has been extended or retracted.

Downrigger Mounting on Boats

A downrigger should be mounted wherever it is easy to operate and observe. You want to be able to see your fishing rod and to react quickly. So, choosing a good location to mount your downrigger on your boat is very important.

Due to the great variety of boats available, mounting your downrigger can be a difficult decision. Cannon has a complete line of mounting and fishing accessories to aid in your fishing experience. Before making any permanent changes to your boat consider what accessories might be used in your application.

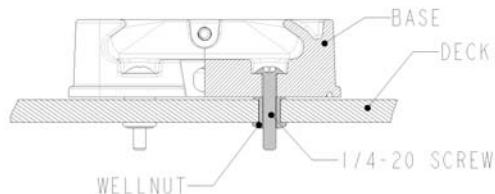
Arrows Indicate Typical Mounting Locations



Installing the Base on Your Boat Decks up to 7/16" thick

Where access to the underside of the deck is not available, the mounting base can be mounted using wellnuts. Use the base as a template to mark locations and drill four wellnut clearance holes. Mount the base using four 1/4-20 x 1-1/2" truss head screws and four wellnuts. Tighten the screws so the wellnuts are firmly compressed as pictured.

Decks up to 7/16" Thick

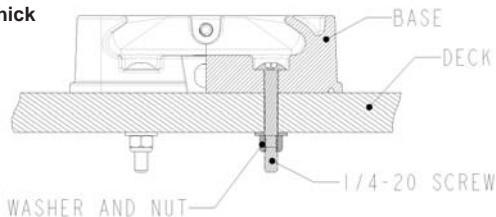


Decks thicker than 7/16"

For decks thicker than 7/16", or where the underside of the deck is accessible, mount the base with screws, nuts, and washers. Use the base as a template to mark the locations and drill four 9/32" holes. Use four 1/4-20 x 2" truss head screws and four each flat washers and nuts. Fasten the base to the deck as pictured.

NOTE: Wellnuts **SHOULD NOT** be used on decks thicker than 7/16".

Decks Thicker Than 7/16" Thick



Decks thinner than 1/4"

Use a Cannon deck plate (PN 2200693) to prevent deflection and add stability to decks thinner than 1/4". Use the deck plate as a template to mark the hole locations.

If access to the underside of the deck is not available, the deck plate can be mounted using screws and wellnuts. Use the deck plate as a template to mark locations and drill 4 wellnut clearance holes. Use four 1/4-20 x 1-1/2" flat head screws and four wellnuts to mount deck plate. Tighten the screws so the wellnuts are firmly compressed.

Where the underside is accessible, the deck plate can be mounted using screws, nuts, and washers. Drill 9/32" holes. Use four 1/4-20 x 1-1/2" flat head screws, nuts and washers (flat and lock). Fasten plate to deck. To secure the mounting base to the deckplate use four 1/4-20 x 1" truss head screws.

NOTE: When using the telescopic boom, we strongly recommend the use of a deck plate on all boats to provide adequate stability for the downrigger.

The Low-Profile Swivel Base mounting follows the same procedure as for the deck plate except that four 1/4"-20 x 1-1/2" truss head screws are used to fasten the mounting base and four additional 1/4"-20 x 2" truss head screws fix the swivel base to the boat deck.

Low-Profile Swivel Base

INSTALLING THE BOOM AND BALL HOOK

- 1) Remove the ball hook collar, ball hook, and 1/4-20 nut from the included hardware bag assembly.
- 2) Thread the nut onto the ball hook, then thread the ball hook into the ball hook collar. Do not tighten yet. (Figure 1)
- 3) Slide ball hook collar onto the end of the boom and leave it loose. (Figure 2)
- 4) Insert boom with ball hook collar assembly into frame (Figure 3) and line up holes in boom with holes in frame (Figure 4).
- 5) Remove 1/4-20 x 2" bolt and 1/4-20 nylon locknut from included hardware bag assembly.



FIGURE 1



FIGURE 2



FIGURE 3



FIGURE 4



FIGURE 5

6) Insert the 1/4-20 nylon locknut into the hex pocket on the nose of the frame (motor side of frame). (Figure 5)

7) Insert 1/4-20 x 2" bolt into reel side of frame nose. With a Phillips head screw driver, thread bolt into the nylon locknut from step 6. Tighten bolt until the end of the bolt is flush with the top of the nut. (Figure 6)



FIGURE 6

8) Slide ball hook collar to your preferred location. Hand tighten the ball hook into boom tube. Tighten enough so that there is no movement on the boom. (Figure 7)

Important: Do not overtighten ball hook or permanent deformation of the boom is possible.

9) Once ball hook is secure, with a 7/16" wrench, tighten the 1/4-20 nut until secure with ball hook collar. (Figure 8)



FIGURE 7

****TELESCOPIC BOOM ONLY****

To adjust the boom length (with the boom extending away from you) rotate the clamps (See item # 8 on page 5) approximately 1/4 turn counter-clockwise to unlock and slide the boom section to the desired position. Once in place, lock the clamps by rotating clockwise until tight.



FIGURE 8

BOOM END PULLEY**Telescopic Boom**

- 1) Remove boom end assembly from hardware bag.
- 2) Remove #8 self tapping screw from hardware bag.
- 3) Insert boom end post into end of the small tube of the telescopic boom assembly. (Figure 9)
- 4) Align hole in boom post with hole in small end tube. (Figure 10)
- 5) Secure boom end with #8 screw as shown. Tighten with Phillips head screw driver. (Figure 12)

Fixed Length Boom (Magnum 5 models only)

- 1) Remove boom end assembly from hardware bag.
- 2) Remove boom adapter and #8 self tapping screw from bag assembly.
- 3) Insert boom adapter into end of boom. (Figure 11)
- 4) Align boom adapter hole with hole in boom.
- 5) Insert boom end assembly into adapter and line up all three holes (boom post, adapter, and boom).
- 6) Secure boom end with #8 screw as shown. Tighten with Phillips head screw driver. (Figure 12)



FIGURE 9



FIGURE 10

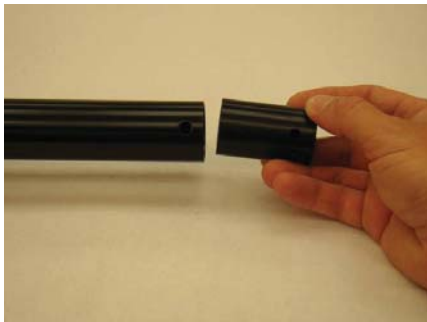


FIGURE 11



FIGURE 12



FIGURE 13



FIGURE 14



FIGURE 15



FIGURE 16

REMOVABLE SPOOL COVER

Your new downrigger comes with a removable spool cover. By removing this cover, you are able to gain easy access to your spooled cable and easy spool removal. This feature allows you to easily access tangled line, get it repaired and get you back into action quickly.

This feature also allows you to have multiple reels for different types of line. By purchasing additional reels, you can wind each with a different type of cable (i.e. Uncoated cable, Coated Cable, Mono, etc.). This allows you to switch out desired cables quickly and easily.

NOTE: Remove all tension from the line before removing or replacing the spool.

Follow the below steps to remove the side cover:

1) Loosen and remove the clutch knob. Turn the clutch knob clockwise until it is free of the motor shaft. (Figures 13 & 14)

2) Loosen the two 1/4-20 Phillips head screws on opposite sides on the cover. (Figure 15)

NOTE: Screws are captured in the cover and will not come out completely.

3) Remove the cover and you now have complete access to the spool. (Figures 16 & 17)

4) Reassemble by reversing the above steps.

NOTE: Take care when removing the spool over open water so that the clutch pad or clutch disk doesn't get pulled off as well. (Figure 17)

WARNING: Do not touch the cable reel while the downrigger is in use.



FIGURE 17

REPLACING THE CLUTCH PAD

To replace the clutch pad, follow the steps for removing the spool. Once the spool is removed, you have access to the clutch pad. (Figure 18) Simply pull it off the shaft and replace. Reassemble the spool and cover in the reverse order.



FIGURE 18

ATTACHING THE ROD HOLDER(S)

The locking rod holder(s) incorporate a locking tooth design which can be easily adjusted every 15° with the soft grip knob. The symmetrical design will allow mounting of the rod holder on either side of the downrigger or two rod holders at the same time. The unique two piece design allows independent adjustment of the rod holder and the rod holder arm in two axes. (Figure 19)

Caution: This rod holder is intended for use of up to 30 lb. test line only and is not recommended for use with any tackle IGFA (International Game Fish Association) rated higher than 30 lb. A safety strap (not included) is recommended for all applications.

NOTE: The rod holder assembly is not covered under warranty when used with tackle above 30 lbs. Equipment placed in the rod holders and the loss thereof is the responsibility of the user and is in no way warranted by Johnson Outdoors, Inc. Mounting must be in accordance with the above instructions and pictures to comply with the product warranty.



FIGURE 19

To install the rod holder(s):

- 1) Fasten rod holder to rod holder elbow using supplied spring and knob.
- 2) Attach the rod holder to the downrigger on either side using the supplied spring and knob. (Figure 20)
- 3) Repeat the above steps for the other side if (2) rod holders are to be mounted.

The rod holders can be adjusted by loosening either knob until the locking teeth are free from each other. Rotate the rod holder or arm to the desired position and re-tighten knob. (Figure 21)

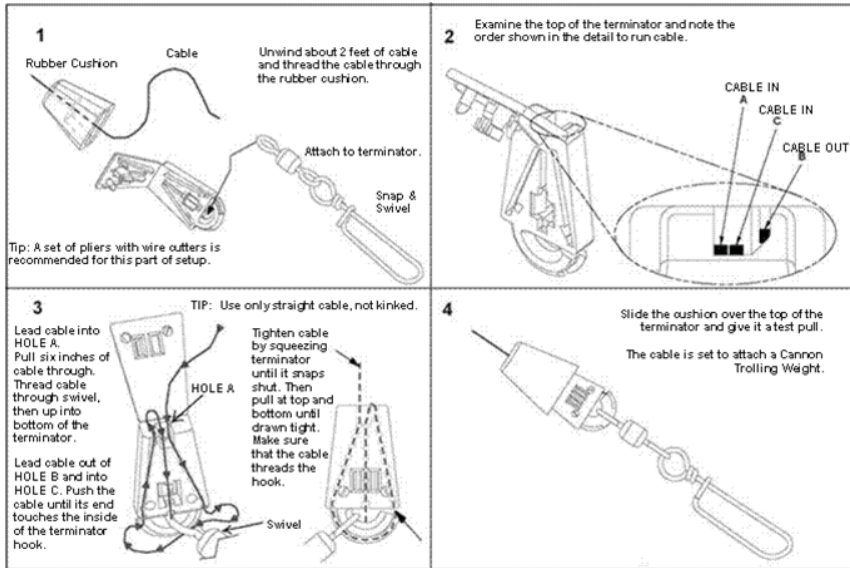


FIGURE 20



FIGURE 21

TERMINATING THE DOWNRIGGER CABLE



TIP: Use only straight cable when routing through the terminator. Worn or kinked cable can be stressed and may break prematurely when retrieving trolling weights.

ATTACHING THE LINE RELEASE (UNI-RELEASE)

The Cannon Uni-Release attaches directly to the downrigger weight. Attach fishing line to the clip at the end of the release, and then click through a series of increasing tension settings. The release can be used with any test line on salt or fresh water and may be adjusted from 2 to 22 pounds of grip tension on the line.

To change line release tension, turn tension knob to (+) to increase or (-) to decrease. Tension also may vary according to where the line is placed in the grips. Higher tension is on the line if it is set back toward the hinge, and lower if set closer to the opening. To open the release, spread the release arms with thumb and forefinger applying pressure to the sides.

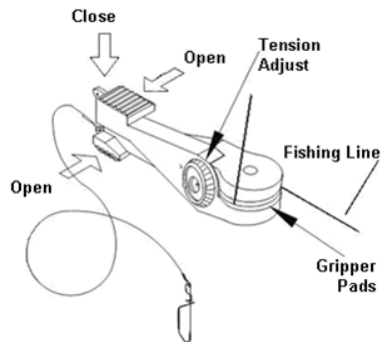




FIGURE 22



FIGURE 23

USING THE INCLUDED POWER LOSS MANUAL CRANK HANDLE

In case of a dead battery, your downrigger comes equipped with a power loss manual crank handle. This handle allows for the retrieval of your weight should you lose power or have an electrical failure. To utilize the handle follow the below steps.

WARNING: LOOSENING OR REMOVING THE CLUTCH KNOB WILL RELEASE THE SPOOL AND ALLOW IT TO RUN FREE. MAKE SURE YOU HOLD THE SPOOL BEFORE REMOVING THE CLUTCH KNOB.

- 1) Unplug downrigger and secure reel, see note above.
- 2) Rotating clockwise, remove the clutch knob. (Figure 22)

CAUTION: Take care when removing the clutch knob over open water.

- 3) Install the handle's hex pattern to match the hex pattern on the spool. Once installed, you can start cranking up your weight. (Figure 23)

Wiring Your Downrigger

Your Boat's Electrical Condition

It is important to make sure that your boat is properly set up before installing your Magnum with Positive Ion Control (PIC). Whenever a boat is in water, various submerged parts interact to create weak electrical currents. These weak electrical currents must be controlled to extend the life of the boat's metal parts and ensure a good fish catching environment.

Check the zinc sacrificial anodes on your boat and on the outboard/outdrive. If they are more than 50% dissolved they should be replaced. Any coating of slime or growth should be cleaned off. All metal parts including the hull (if metal) must be interconnected by a grounding wire. This includes motor shafts, outdrives, and through hull fittings. If your boat and zinc anodes are set up correctly, the voltage on the stainless steel downrigger wire should be positive when in contact with the water.

With your boat in the water and the downrigger cable deployed in the water, measure the dc voltage from the cable to a grounded metal surface of the boat touching the water. It should be 0.6-0.8VDC if properly wired.

- The use of Cannon vinyl coated lead weights is recommended.
- Use the trolling weight insulators supplied with your downrigger. This insulates your weight from the positive charge on the cable. This will also ensure that the trolling weight will stop at water level when retrieved.
- The cable on your downrigger should be replaced every 2 years. Etching of the cable can weaken it physically and electrically.
- In saltwater, make sure the sacrificial zinc anodes are replaced when half dissolved. This ensures that the boat will run with a neutral or slightly positive charge. Clean zincs on a regular basis with a non-corrosive brush.
- Always make sure the boat is properly grounded to the water. This will help ensure proper PIC voltage on the cable and that the Short Stop will function properly.

NOTE: To ensure proper operation of your Magnum, ground the battery to your boat's electrical system's ground. Malfunctions with the PIC, communication between units, or loss of operation result from faulty grounding. Always check to see if your boat is properly grounded first.

Electrical Specifications & Wiring Instructions

The Magnum series is rated at 30 amps (full load), 12 volts DC and is protected by a 25 amp manual reset circuit breaker (located under motor housing). Be sure to measure the battery voltage of your boat.

WARNING! - DO NOT RUN THIS DOWNRIGGER ON A 24 VOLT BATTERY SYSTEM. THIS WILL DAMAGE THE UNIT AND VOID YOUR WARRANTY.

Connecting to the Battery:

It is strongly recommended that a fuse or manual reset circuit breaker be installed at the battery on the positive lead of the power cable or that you connect the downrigger to a battery selector switch. (See Fuse and Wire Specifications) Connect the positive lead (RED) to the (+) post on your battery and the negative lead (BLACK) to the (-) post on your battery or the downrigger will not operate. Use the quick disconnect plug to remove the downrigger without touching the battery.

NOTE: It is strongly recommended to power your Magnum with a Deep-Cycle marine battery. Only run a Magnum from a Starter battery if it is recharged by an alternator while trolling.

Tip: Control degradation of the power cables and limit corrosion by using anti-oxidant gel on all connections.

Rigging and Installation Guidelines:

For safety and compliance reasons, we recommend that you follow American Boat and Yacht Council (ABYC) standards when rigging your boat. Altering boat wiring should be completed by a qualified technician. The following specifications are for general guidelines only:

CAUTION: These guidelines apply to general rigging to support your Cannon Downrigger. Powering multiple Downriggers or additional electrical devices from the same power circuit may impact the recommended wire gauge. If you are using wire longer than that provided with your unit, follow the chart below. If you are running more than 30 feet from the battery, we recommend that you contact a qualified marine technician.

Wire Specifications:

0-15 ft.	(0-5 meters)	10 gauge
15-25 ft.	(5-8 meters)	8 gauge
25-30 ft.	(8-9 meters)	6 gauge

Fuse/Breaker Specifications:

30 AMP, 32 Volt, waterproof, fast blow

Powering Multiple Downriggers

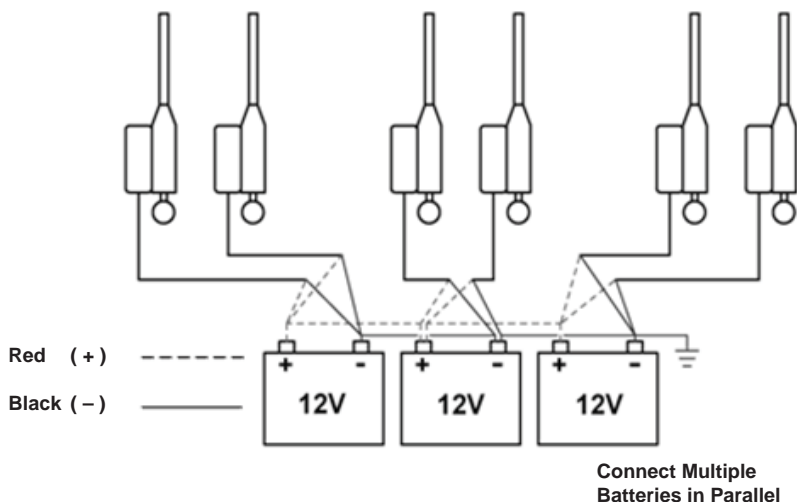
When operating multiple Magnums, run a maximum of 2 downriggers per dedicated battery.

Typical Operating Time*:

1 Magnum per battery – 24 hours.

2 Magnums per battery – 10 hours.

*Time based on lab results using a 15lb weight and Deep-Cycle batteries. Actual run time will vary.



GETTING STARTED

Manual Descent: Fast or Slow

By turning the clutch knob gently clockwise (toward the boom), you can let your trolling weight descend as fast or as slowly as you wish. Turning the knob counter-clockwise (away from the boom) stops the weight. This gives you control to let it plunge rapidly or sink slowly to a predetermined trolling depth. With multiple downriggers, you could start all your weights creeping down, one at a time, and then stop them each in turn.

Powered Descent: One speed fits all.

Hold the toggle switch down until the weight reaches the desired depth and release. The motor will stop when switch is released or moved to the off position.

Raising the Weight

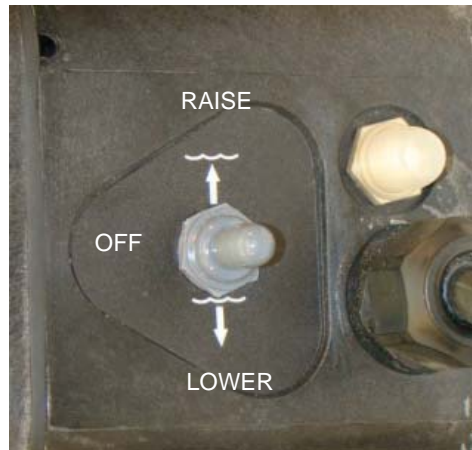
Push the toggle switch up momentarily and release. The weight will rise until it reaches the surface and then automatically stop.

If you want to raise the weight farther push the toggle switch up and hold until the weight reaches the desired position, then release.

To stop the weight during ascent, push the toggle switch down momentarily (approximately 1 second).

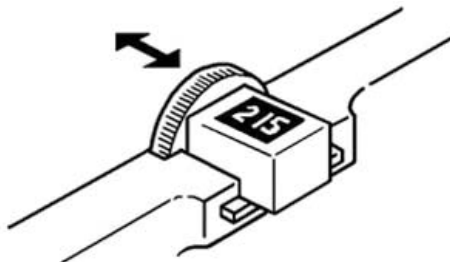
NOTE: If your reel continues to slip no matter how hard you tighten the brake adjust knob. Refer to the Trouble-shooting section of this booklet.

CAUTION: The brake adjust knob (clutch) should be adjusted so that it is tight enough to hold the weight and the lure at the speed you are trolling. Over-tightening may cause damage to your downrigger when weight hangs up on bottom structure or other obstacles.



Adjusting the Depth Meter

The Cannon Depth Meter provides non-slip accuracy, plus easy resetting. To reset, just slide the meter away from the reel until the gears are disengaged. Spin meter gear to change setting.



NOTE: Actual fishing depth may vary from depth shown on meter due to trolling speed and weight of cannon ball. (See "Blowback" on page 21)

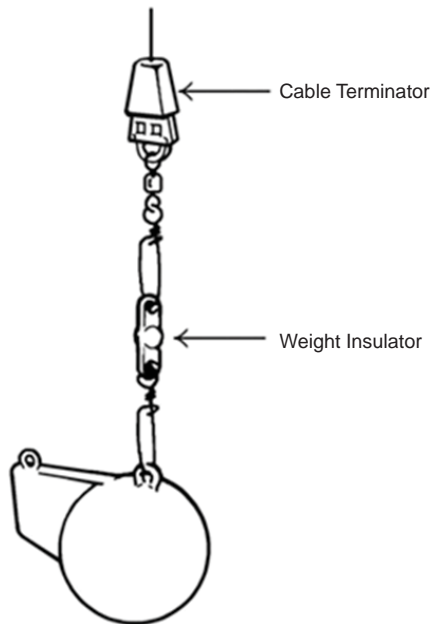
The Short Stop System

The Short Stop system is composed of three critical components: the electronic unit, the reel conductive path, and the trolling weight insulator.

While the downrigger cable is in the water, there is a small electrical current that flows between the cable and the grounded metal boat components in the water. When the cable clears the water, this current flow will stop. The Short Stop system senses this interruption and turns off the motor. The trolling weight insulator is used to break the cable contact to the water while the weight is still in the water. The reel conductive path allows the circuit path to be made through the structure of the downrigger.

NOTE: It may be necessary to use two trolling weight insulators.

Stopping the weight at water level eliminates the cable strain caused by bouncing weights or weights hitting the boom end. Stopping at water level will also keep the weight from hitting the boat hull.



NOTICE: Short stop and Positive Ion Control features will not function when spooled with monofilament or super lines or if the boat is not properly grounded.

Fishing With Your Downrigger

Release some line from your rod and reel so that the lure is anywhere from 5 to 100 feet behind the boat. This is called drop back. Attach the fishing line firmly into the line release. Place the fishing rod in the rod holder and reel up the slack so that your rod has a slight bend in it. When a fish strikes the lure, the line will separate from the release. Then you will be free to fight the fish and bring it in on your rod and reel.

WARNING—DO NOT TOUCH THE CABLE REEL WHILE THE DOWNRIGGER IS IN USE!

The Positive Ion Control System

Your boat has an electrical charge around the hull in water. If a boat is properly grounded and has a proper zinc anode, that charge should be slightly positive when measured from ground to the downrigger cable. Positive Ion Control (PIC) is the use of electricity to control that charge and its fluctuation so that it is always maintained at a specified set voltage.

The practice of setting up and maintaining a slight positive charge on fishing gear has been used by commercial fishermen for many years. This practice has enabled some fisherman to increase yield when used along with other good fishing and boating practices.

Cannon's electric downriggers offer fishermen a big advantage in being able to stabilize and control the positive charge around their boat. Because of the composite construction of the frame, Cannon downriggers are insulated from your boat's hull charge.

When the stainless steel downrigger cable is lowered into the water, the natural ionization between the cable and the boat creates a positive charge of 0.7 to 0.9 volts in saltwater and 0.3 to 0.6 volts in fresh water. This natural voltage is dependent upon salinity and mineral content of the water. Your actual voltage may vary.

How the Positive Ion Control System Works

The PIC system uses an internal circuit that passes the voltage through the drive train of the Magnum to the shaft. The shaft contacts the cable by means of a ball bearing, spring and, lastly, a one direction button head screw. Care must be taken to ensure contact between the cable and the screw when replacing the cable. When using coated cable, 3-4 ft of coating must be striped when terminating the cable to reel. Take care in ensuring that the striped portion is in contact with the button head screw.

The Positive Ion Control system applies a fixed 0.6 volts on the trolling cable at all times.

Measuring the Natural Electrolysis and PIC Voltage on Your Boat

A voltmeter with a scale of zero to one volt will measure the natural electrolysis. Place the ground lead of the meter on the motor or the battery ground. Place the positive lead on the stainless steel downrigger cable while it is in the water. The downrigger must be unplugged. The voltage you measure on the volt meter is your boat's natural electrolysis voltage. Use the same set up to measure the PIC voltage; just plug in the Magnum and adjust the PIC voltage desired.

Using Positive Ion Control

Positive Ion Control is very effective when trolling. The zone of attraction created at the downrigger wire will attract the fish. It is best to use a short drop back between the downrigger release and the lure. Drop backs of 10 to 20 ft. are typical. A drop back of 50 to 100 ft. will entirely negate the effects of the PIC circuit.

Maintaining Your Downrigger

Periodically, lightly grease the thrust bearing and bearing race found behind the clutch knob. Replace the cable at least every two years.

There are no user serviceable parts internal to the Magnum. Your warranty will be void if opened by anyone other than an authorized or factory service center. For repairs or servicing your downrigger refer to the Warranty Information section of this booklet.

Blowback

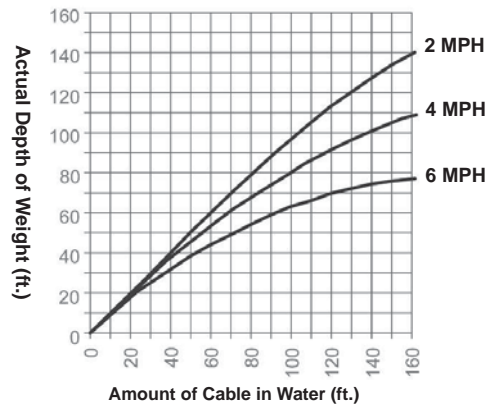
Simply stated, blowback is what happens to the downrigger weight when you pull it through the water behind your boat. As your speed increases, so does the horizontal distance between the weight and your downrigger. The faster you go, the farther the weight is behind you. The farther the weight is behind you, the shallower the weight is.

The following charts provide you with blowback information for three sizes of Cannon downrigger weights pulled at three different speeds with no lures attached and with no current. Current drag, water salinity and the use of non-Cannon products will affect your actual trolling depth.

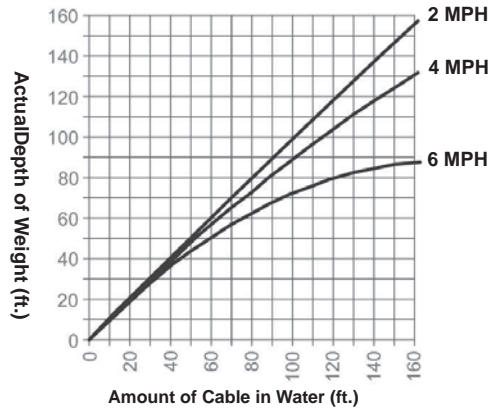
As an example, the first chart shows that if you are trolling at 4 MPH with an 8 pound weight and you have 100 FT. of cable in the water with no current; the downrigger ball is actually at a depth of about 80 FT.

Blowback Charts

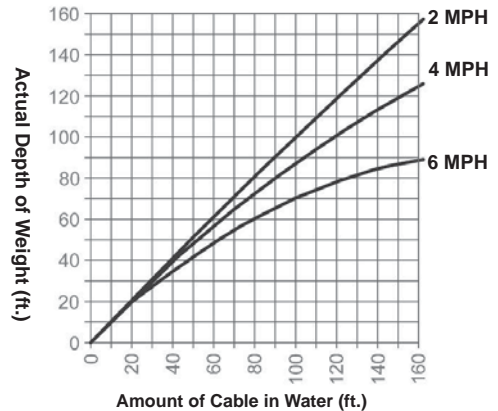
8-Lb. Weight at 2, 4, and 6 MPH



10-Lb. Weight at 2, 4, and 6 MPH



12-Lb. Weight at 2, 4, and 6 MPH



Ten Good Trolling Tips

1) Test your lures over the boat side before sending them down and back. Do this to make sure the lure wiggles and wobbles properly without going belly up or wandering off. Some lures can be adjusted, fine tuned actually, to impart maximum action. For example, a slight bend in the tail of a spoon or twist of the hook eye in the nose of a plug can make a noticeable difference in how the lure performs.

Also, when running two or more lures, make sure the offerings are compatible. Lures that run out of harmony with each other are bound to tangle and that means wasted time to straighten out the mess. Testing them first will avoid the problem.

2) Consider different sizes, shapes, and colors of lures. No one has ever figured out with precision what makes a fish strike or snub a lure. There is no doubt, that matching the forage (minnows, crayfish, etc.) in color, shape, action, and size can help trigger those strikes from hungry fish. On the other hand, if fish such as bluegills, small mouth bass or Coho salmon are protecting spawning beds, they may attack whatever is threatening. So, bright colors in lures may out produce bland colors.

3) Vary trolling speeds. Goosing the engine now and then or slowing to a crawl every so often will change the action of the lures and may get fish to strike them.

4) Vary trolling patterns and lead lengths. The amount of line you let out often determines how deep the lure will run and, to some extent, what degree of action it will impart. For starters, consider running lures about ten feet behind downrigger weights. If flat line trolling, put them back about fifty feet, then experiment depending on what the fish do.

Trolling patterns affect lure action too, that is why some anglers like to wheel a lazy S course. On turns, outside lures will speed up momentarily while inside lures hang for a moment or two. Some fish are attracted to lures that change speeds. Also, zigzag patterns allow for more water coverage, plus it keeps lures out of propeller boil, an important consideration for browns and other wary species.

5) Locate fish on a vertical plane. Place lures in areas where fish might be. Skilled fishermen call these areas the "strike zones". They include the edges of the weed beds, structure along bottom, drop-offs, preferred temperature of the target species, and the thermocline. Remember that fish occupy certain areas for certain reasons (sources of food, protective cover, preferred temperatures, etc.).

6) Consider special knots and swivels. A good ball bearing swivel will all but eliminate line twist and will aid in getting maximum performance from a lure. Many anglers add the tiny swivels to split rings already on the lure itself. On the other hand, a swivel may dampen the action of a sensitive lure, such as a Rapala. Some fisherman tie tiny improved clinch or loop knots. Loop knots in particular may enhance up and down and side to side action of lures. Any good fishing manual will explain how to tie these and other knots.

7) Consider releases for flatline trolling. A good tip is to secure a piece of downrigger cable or heavy monofilament to the water ski hook or handle below the transom of most boats. To the other end of the mono or cable, add a pinch-r-release. After letting out your lure to the desire distance, put the rod in its holder, then bend the tip and secure the fishing line in the release.

8) Add a weed guard. Having trouble with weeds hanging up lures? Consider tying a three-inch piece of monofilament a foot above the lure. Leaves, smaller weeds and other debris may catch here momentarily then fall off to the side of the lure without tangling. Weedless lures are another smart consideration. Downrigger cables are effective weed catchers when trolling for pike, muskies, or bass in weed-infested lakes.

9) Add a stinger hook. When fish short strike, slap at lures without becoming hooked, adding a stinger hook can solve the problem. Simply tie a treble hook to one end of a four inch piece of monofilament and then tie the extra hook to the last gang of hooks on your lure. The stinger hook, which trails the lure, provides extra insurance.

10) Keep hooks sharp. Some of the best fishermen sharpen all hooks after every fish caught. Hooks get dull through both use and misuse, and probably more fish are lost to dull points than anything else.

Troubleshooting

PROBLEM:

In the UP or AUTO-UP mode the downrigger stops periodically or the circuit breaker trips repeatedly.

SOLUTION:

- Low battery. The battery voltage at the power cord is less than 11.5 volts (measure with a volt meter while the downrigger is pulling up the weight).
- Power cable is too long or too small in diameter.
- Do not overload the downrigger. It is designed to lift up to 20 lb. weights only.

PROBLEM:

Unit does not turn on.

SOLUTION:

- Check polarity on power cable.
- Check Circuit breaker (s)

PROBLEM:

Unit does not count the depth correctly.

SOLUTION:

Reel no longer has 250 ft of cable. If your reel has more or less than 250 ft of cable this can affect the accuracy of the counter.

PROBLEM:

Clutch slips

SOLUTION:

- Retighten clutch knob. Clutch knob should be just tight enough that the clutch does not slip when downrigger is in normal use. Do not use tools of any kind to tighten the clutch, hand tightening should always be sufficient.
- Check clutch disc condition by removing side cover and spool. Replace if necessary.

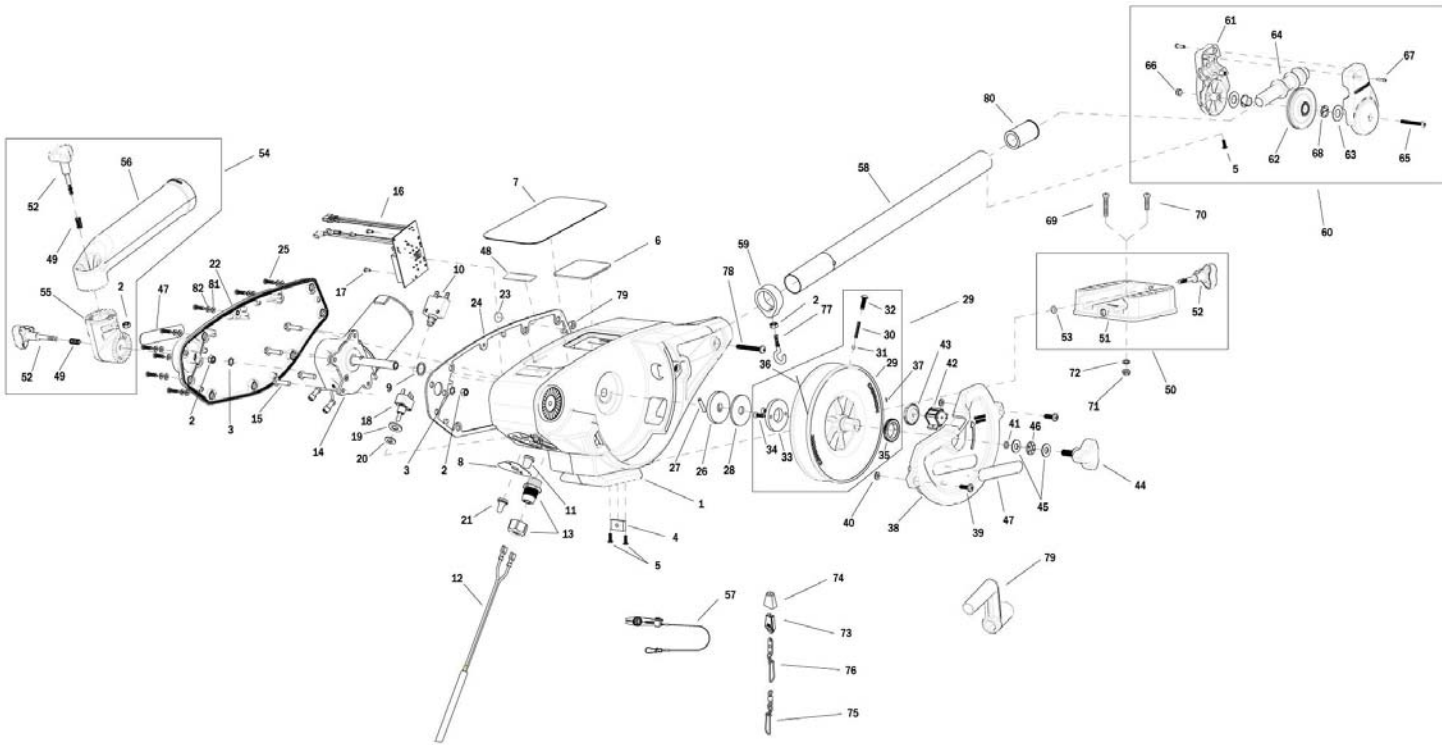
PROBLEM:

The Magnum fails to continue running after toggle switch is pushed up and held momentarily, while cable is still in water, or is having problems with the PIC voltage.

SOLUTION:

Make sure your boat is properly grounded. A boat that is properly grounded has an electrical path from the negative battery terminal to all metal parts on the boat that contact water. Additionally, in saltwater the boat must be have a proper sacrificial zinc anode and show a natural electrolysis voltage of 0.7 to 0.9 volts. The voltage supply to your downrigger must also be bonded to the boat.

1902300 Magnum 5 ST

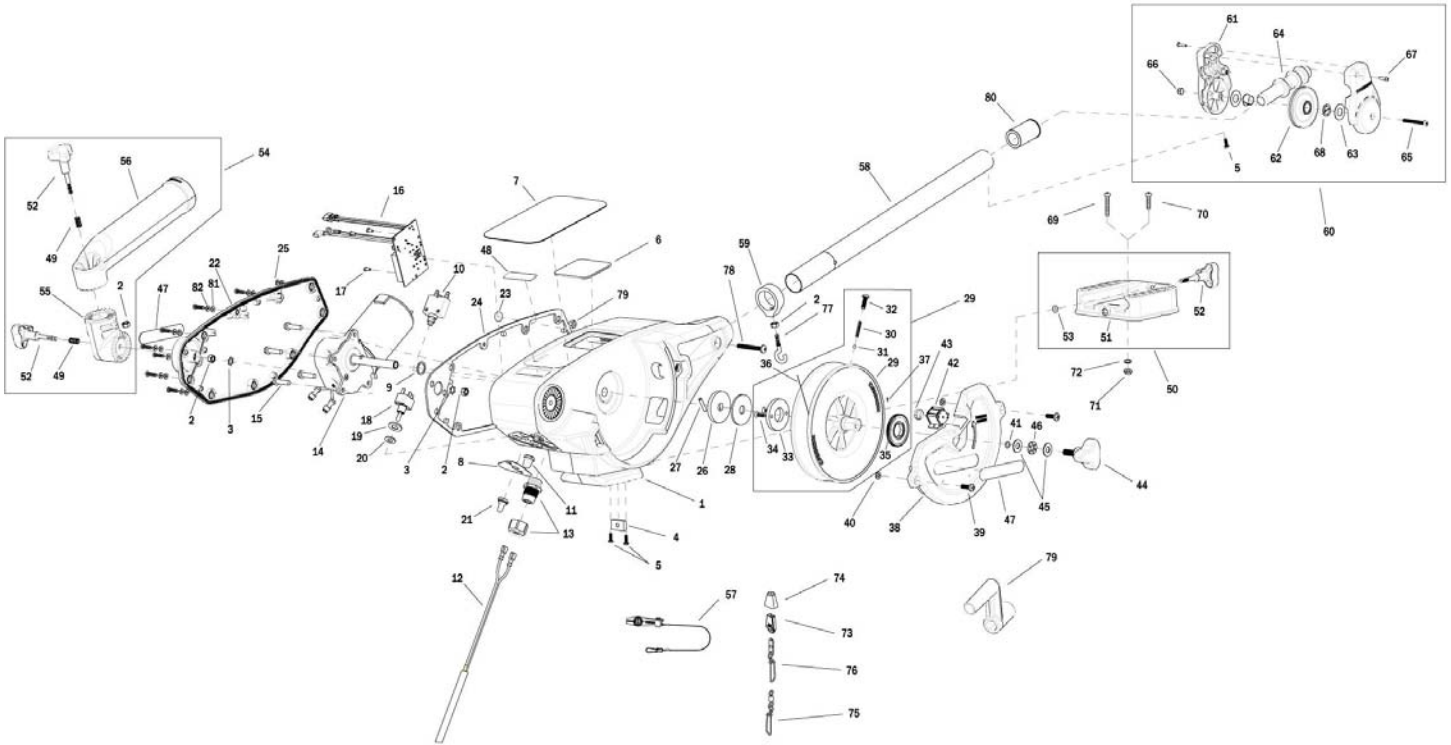


1902300 Magnum 5 ST

In the U.S.A., replacement parts may be ordered directly from CANNON Parts Dept. Be sure to provide the MODEL and SERIAL numbers of your downrigger when ordering parts. Please use the correct part numbers from the parts list.

1	3392524	FRAME, RAW	29	3777927	REEL, ROUGH, 3.75" OD	57	2277002	ASY HDW RELEASE UNIVERSAL
2	2263102	NUT-HEX 1/4-20 SS 300SRS	30	3392707	SPRING, REEL	58	2290828	24" BOOM - HEAVY DUTY
3	3394722	INSERT, PUSH ON	31	3396020	BALL BEARING, REEL	59	3397900	BALL HOOK EXTRUSION
4	3394702	INSERT, BASE	32	3393474	SCREW-DRIVE #14 X .75" SS	60	3990200	ASSY-CNN, BOOM END (SUB)
5	2373450	SCREW-#8-18 X 3/8 THD* (SS)	33	3391906	PLATE, CLUTCH REEL	61	3392520	CASE, PULLEY
6	3396510	LENS-WINDOW MAG DTIV	34	3393418	SCREW-#10-16X.75"HI-LO SS	62	3392300	SHEEVE, PULLEY
7	3395559	DECAL, MAG 5	35	0233560	GEAR, REEL, STD	63	3391507	SHIM, BOOM END
8	3396601	SEAL PLATE, MAGNUM	36	3775397	400' CABLE	64	3392013	BOOM END, NEW
9	3391730	WASHER, SEAL, DATA	37	9100070	CON LEADER SLEEVE	65	3393485	SCREW-#10-24X1.75 PPHMS S
10	3398205	CIRCUIT BREAKER, 25 AMP	38	3390205	COVER, REEL	66	3393124	NUT-#10-32 NYLOK 18-8 SS
11	1221491	BOOT CIRCUIT BREAKER	39	2373434	SCREW-1/4-20 X 3/4 SS PPHMS	67	2303412	SCREW-#6-20 X 5/8 SELF TAP
12	3993220	ASSY, POWER CABLE, RETRO(SUB)	40	2071718	WASHER #10 NYLON RETAINING	68	3390005	BEARING-NYLINER, #8L5-1/2-F
13	3392920	STRAIN-RELIEF, HEYCO M4502	41	3394605	O-RING, KNOB	69	9280720	HDW SCR 1/4 20X2 TRUSS HD PHIL
14	3996515	MOTOR/GEAR HOUSING ASSY	42	0220477	METER 3 DIGIT	70	9280713	HDW SCR 1/4 20X1 1/2 TRUSS HEA
15	3393411	SCREW-FLANGE HEX HI-LO	43	0833561	GEAR, COUNTER	71	2263103	NUT-1/4-20 NYLOCK SS
16	3394006	ASY PCA, MAGNUM	44	3390103	KNOB, SOFT GRIP, CLUTCH	72	2371712	WASHER-FLAT 9/32 X 5/8 X 1/16
17	2302104	SCREW-#6-20 X 3/8	45	3391737	HDW WASHER, THRUST	73	9100100	CON TERMINATOR
18	2286792	SWITCH, TOGGLE	46	9010280	HDW BEARING, THRUST	74	9100101	CUSHION SLEEVE TERMINATOR
19	3391722	WASHER, FLAT	47	3395634	DECAL- SIDE, BLACK	75	9100620	HDW SNAP SWIVEL 4/0-37 MARLIN
20	2286793	HDW SHIM SWITCH .75X.1	48	3395710	DECAL-PIC BLACK	76	2200148	ASY SNAP & INSULATOR
21	1221490	BOOT SWITCH	49	2287002	HDW SPRING RELEASE PIN	77	9040040	HDW BOLT 1/4-20 ROLLEDTHD HOOK
22	3390203	COVER, MOTOR	50	3991930	ASY, MNT BASE DT/MAG(SUB)	78	3393461	SCREW-1/4-20 x 2" SS, PPH
23	401966-3	MIC VENT,PTFE LU LRA MATERIAL	51	3391955	BASE-MOUNT, DT PRO/MAG ST	79	3390910	HANDLE-CRANK, MANUAL
24	3396902	GASKET, COVER	52	3390101	KNOB-CANNON, SOFT GRIP	80	3395905	ADAPTER, BOOM END
25	3393480	SCREW-#10X.75"PPH HI-LO SS	53	3393000	RING, RETAINING, 1/4" SHAFT	81	3391732	WASHER, SEALING
26	3391907	PLATE, CLUTCH SHAFT	54	3991904	ASSY-CNN, ROD HOLDER	82	3394602	WASHER, FLAT, #8, SS
27	3392640	PIN, DRIVESHAFT	55	3394200	ARM, DUAL AXIS-ROD HOLDER			
28	3391711	PAD, CLUTCH	56	3392033	TUBE, DUAL AXIS RD HLDR			

1902301 Magnum 5 ST /E

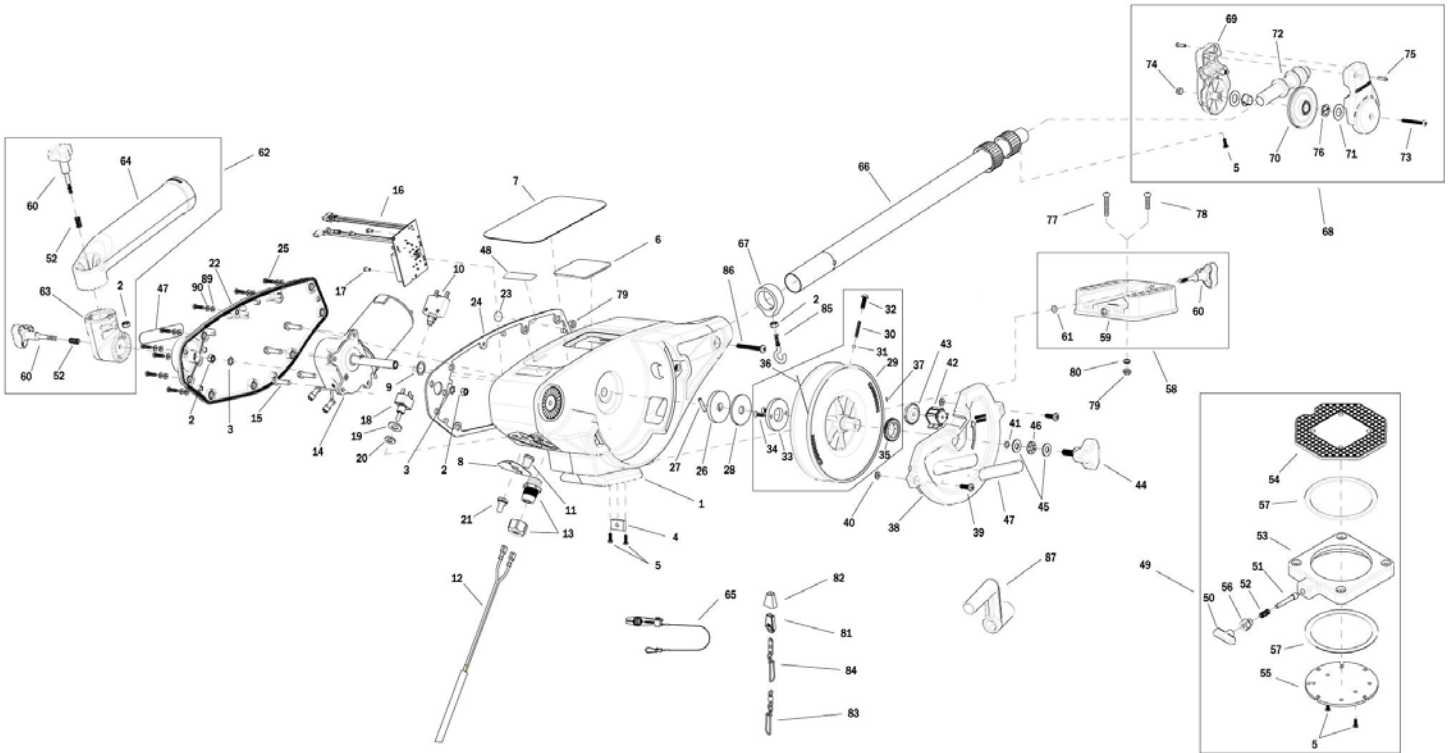


1902301 Magnum 5 ST /E

In the U.S.A., replacement parts may be ordered directly from CANNON Parts Dept. Be sure to provide the MODEL and SERIAL numbers of your downrigger when ordering parts. Please use the correct part numbers from the parts list.

1	3392524	FRAME, RAW	29	3777927	REEL, ROUGH, 3.75" OD	57	2277002	ASY HDW RELEASE UNIVERSAL
2	2263102	NUT-HEX 1/4-20 SS 300SRS	30	3392707	SPRING, REEL	58	2290828	24" BOOM - HEAVY DUTY
3	3394722	INSERT, PUSH ON	31	3396020	BALL BEARING, REEL	59	3397900	BALL HOOK EXTRUSION
4	3394702	INSERT, BASE	32	3393474	SCREW-DRIVE #14 X .75" SS	60	3990200	ASSY-CNN, BOOM END (SUB)
5	2373450	SCREW-#8-18 X 3/8 THD* (SS)	33	3391906	PLATE, CLUTCH REEL	61	3392520	CASE, PULLEY
6	3396510	LENS-WINDOW MAG DTIV	34	3393418	SCREW-#10-16X.75"HI-LO SS	62	3392300	SHEEVE, PULLEY
7	3395559	DECAL, MAG 5	35	3333011	GEAR REEL (METRIC)	63	3391507	SHIM, BOOM END
8	3396601	SEAL PLATE, MAGNUM	36	3775397	400' CABLE	64	3392013	BOOM END, NEW
9	3391730	WASHER, SEAL, DATA	37	9100070	CON LEADER SLEEVE	65	3393485	SCREW-#10-24X1.75 PPHMS S
10	3398205	CIRCUIT BREAKER, 25 AMP	38	3390205	COVER, REEL	66	3393124	NUT-#10-32 NYLOK 18-8 SS
11	1221491	BOOT CIRCUIT BREAKER	39	2373434	SCREW-1/4-20 X 3/4 SS PPMs	67	2303412	SCREW-#6-20 X 5/8 SELF TAP
12	3993220	ASSY, POWER CABLE, RETRO(SUB)	40	2071718	WASHER #10 NYLON RETAINING	68	3390005	BEARING-NYLINER, #8L5-1/2-F
13	3392920	STRAIN-RELIEF, HEYCO M4502	41	3394605	O-RING, KNOB	69	9280720	HDW SCR 1/4 20X2 TRUSS HD PHIL
14	3996515	MOTOR/GEAR HOUSING ASSY	42	3320011	COUNTER 3 DIGIT (METRIC)	70	9280713	HDW SCR 1/4 20X1 1/2 TRUSS HEA
15	3393411	SCREW-FLANGE HEX HI-LO	43	3333010	GEAR COUNTER (METRIC)	71	2263103	NUT-1/4-20 NYLOCK SS
16	3394006	ASY PCA, MAGNUM	44	3390103	KNOB, SOFT GRIP, CLUTCH	72	2371712	WASHER-FLAT 9/32 X 5/8 X 1/16
17	2302104	SCREW-#6-20 X 3/8	45	3391737	HDW WASHER, THRUST	73	9100100	CON TERMINATOR
18	2286792	SWITCH, TOGGLE	46	9010280	HDW BEARING, THRUST	74	9100101	CUSHION SLEEVE TERMINATOR
19	3391722	WASHER, FLAT	47	3395634	DECAL- SIDE, BLACK	75	9100620	HDW SNAP SWIVEL 4/0-37 MARLIN
20	2286793	HDW SHIM SWITCH .75X.1	48	3395710	DECAL-PIC BLACK	76	2200148	ASY SNAP & INSULATOR
21	1221490	BOOT SWITCH	49	2287002	HDW SPRING RELEASE PIN	77	9040040	HDW BOLT 1/4-20 ROLLEDTHD HOOK
22	3390203	COVER, MOTOR	50	3991930	ASY, MNT BASE DT/MAG(SUB)	78	3393461	SCREW-1/4-20 x 2" SS, PPH
23	401966-3	MIC VENT,PTFE LU LRA MATERIAL	51	3391955	BASE-MOUNT, DT PROMAG ST	79	3390910	HANDLE-CRANK, MANUAL
24	3396902	GASKET, COVER	52	3390101	KNOB-CANNON, SOFT GRIP	80	3395905	ADAPTER, BOOM END
25	3393480	SCREW-#10X.75"PPH HI-LO SS	53	3393000	RING, RETAINING, 1/4" SHAFT	81	3391732	WASHER, SEALING
26	3391907	PLATE, CLUTCH SHAFT	54	3991904	ASSY-CNN, ROD HOLDER	82	3394602	WASHER, FLAT, #8, SS
27	3392640	PIN, DRIVESHAFT	55	3394200	ARM, DUAL AXIS-ROD HOLDER			
28	3391711	PAD, CLUTCH	56	3392033	TUBE, DUAL AXIS RD HLDR			

1902305 Magnum 10 STX

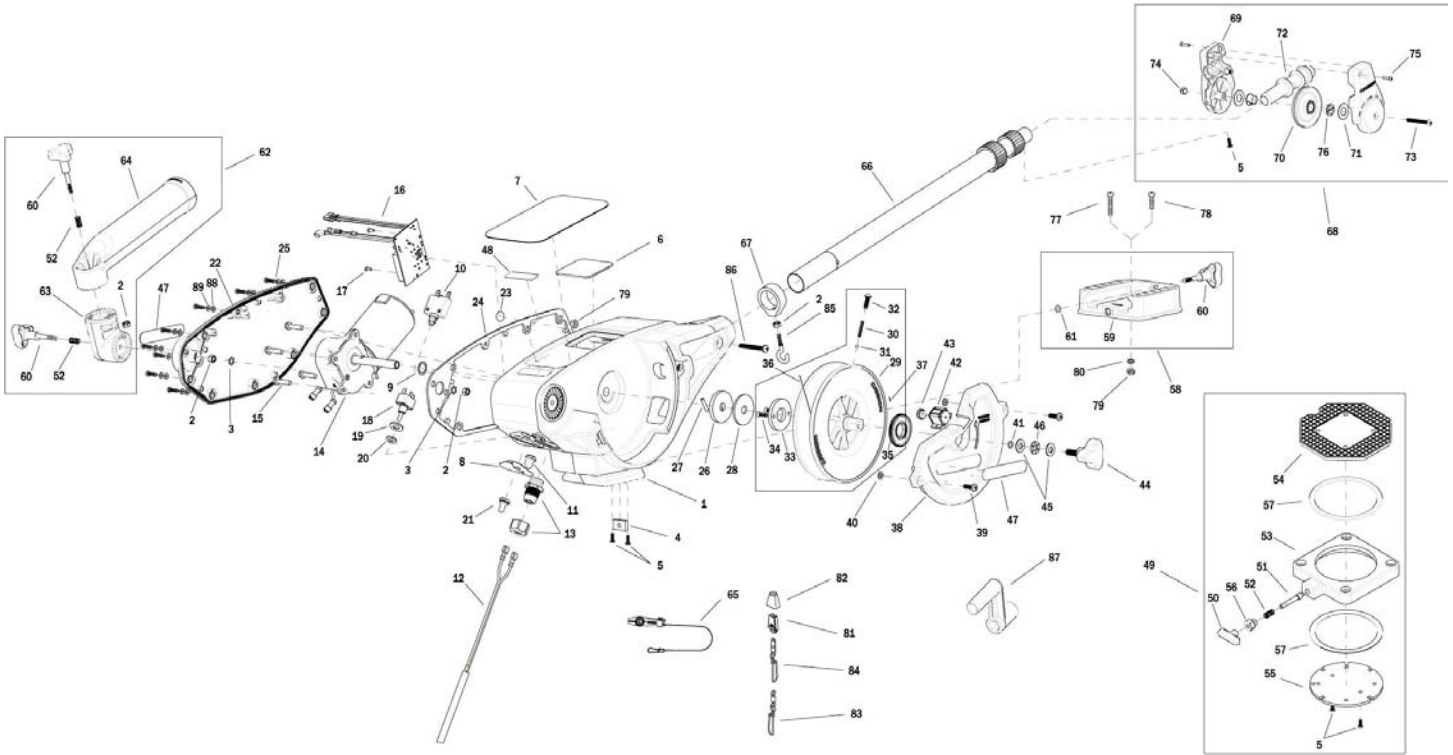


1902305 Magnum 10 STX

In the U.S.A., replacement parts may be ordered directly from CANNON Parts Dept. Be sure to provide the MODEL and SERIAL numbers of your downrigger when ordering parts. Please use the correct part numbers from the parts list.

1	3392524	FRAME, RAW	31	3396020	BALL BEARING, REEL	61	3393000	RING, RETAINING, 1/4" SHAFT
2	2263102	NUT-HEX 1/4-20 SS 300SRS	32	3393474	SCREW-DRIVE #14 X .75" SS	62	3991904	ASSY-CNN, ROD HOLDER
3	3394722	INSERT, PUSH ON	33	3391906	PLATE, CLUTCH REEL	63	3394200	ARM, DUAL AXIS-ROD HOLDER
4	3394702	INSERT, BASE	34	3393418	SCREW-#10-16X.75"HI-LO SS	64	3392033	TUBE, DUAL AXIS RD HLDR
5	2373450	SCREW-#8-18 X 3/8 THD* (SS)	35	0233560	GEAR, REEL, STD	65	2277002	ASY HDW RELEASE UNIVERSAL
6	3396510	LENS-WINDOW MAG DTIV	36	3775397	400' CABLE	66	2210821	ASY BOOM TELESCOPIC
7	3395580	DECAL, MAG 10	37	9100070	CON LEADER SLEEVE	67	3397900	BALL HOOK EXTRUSION
8	3396601	SEAL PLATE, MAGNUM	38	3390205	COVER, REEL	68	3990200	ASSY-CNN, BOOM END (SUB)
9	3391730	WASHER, SEAL, DATA	39	2373434	SCREW-1/4-20 X 3/4 SS PPMs	69	3392520	CASE, PULLEY
10	3398205	CIRCUIT BREAKER, 25 AMP	40	2071718	WASHER #10 NYLON RETAINING	70	3392300	SHEEVE, PULLEY
11	1221491	BOOT CIRCUIT BREAKER	41	3394605	O-RING, KNOB	71	3391507	SHIM, BOOM END
12	3993220	ASSY, POWER CABLE, RETRO(SUB)	42	0220477	METER 3 DIGIT	72	3392013	BOOM END, NEW
13	3392920	STRAIN-RELIEF, HEYCO M4502	43	0833561	GEAR, COUNTER	73	3393485	SCREW-#10-24X1.75 PPHMS S
14	3996515	MOTOR/GEAR HOUSING ASSY	44	3390103	KNOB, SOFT GRIP, CLUTCH	74	3393124	NUT-#10-32 NYLOK 18-8 SS
15	3393411	SCREW-FLANGE HEX HI-LO	45	3391737	HDW WASHER, THRUST	75	2303412	SCREW-#6-20 X 5/8 SELF TAP
16	3394006	ASY PCA, MAGNUM	46	9010280	HDW BEARING, THRUST	76	3390005	BEARING-NYLINER, #8L5-1/2-F
17	2302104	SCREW-#6-20 X 3/8	47	3395634	DECAL- SIDE, BLACK	77	9280720	HDW SCR 1/4 20X2 TRUSS HD PHIL
18	2286792	SWITCH, TOGGLE	48	3395710	DECAL-PIC BLACK	78	9280713	HDW SCR 1/4 20X1 1/2 TRUSS HEA
19	3391722	WASHER, FLAT	49	2998905	CNN ASY, SWIVEL BASE	79	2263103	NUT-1/4-20 NYLOCK SS
20	2286793	HDW SHIM SWITCH .75X.1	50	2249001	HDW KNB RELEASE PIN	80	2371712	WASHER-FLAT 9/32 X 5/8 X 1/16
21	1221490	BOOT SWITCH	51	3392600	PIN - RELEASE	81	9100100	CON TERMINATOR
22	3390203	COVER, MOTOR	52	2287002	HDW SPRING RELEASE PIN	82	9100101	CUSHION SLEEVE TERMINATOR
23	401966-3	MIC VENT,PTFE LU LRA MATERIAL	53	2267001	ASY PLATE BASE MACHINED	83	9100620	HDW SNAP SWIVEL 4/0-37 MARLIN
24	3396902	GASKET, COVER	54	2267002	BRK PLATE SWIVEL	84	2200148	ASY SNAP & INSULATOR
25	3393480	SCREW-#10X.75"PPH HI-LO SS	55	3391919	PLATE, INDEX TS	85	9040040	HDW BOLT 1/4-20 ROLLEDTHD HOOK
26	3391907	PLATE, CLUTCH SHAFT	56	2277001	HDW RETAINER RELEASE NUT	86	3393461	SCREW-1/4-20 x 2" SS, PPH
27	3392640	PIN, DRIVESHAFT	57	9010004	HDW BEARING SWIVEL BASE	87	3390910	HANDLE-CRANK, MANUAL
28	3391711	PAD, CLUTCH	58	3391930	ASY, MNT BASE DT/MAG(SUB)	89	3391732	WASHER, SEALING
29	3777927	REEL, ROUGH, 3.75" OD	59	3391955	BASE-MOUNT, DT PRO/MAG ST	90	3394602	WASHER, FLATE, #8, SS
30	3392707	SPRING, REEL	60	3390101	KNOB-CANNON, SOFT GRIP			

1902306 Magnum 10 STX /E

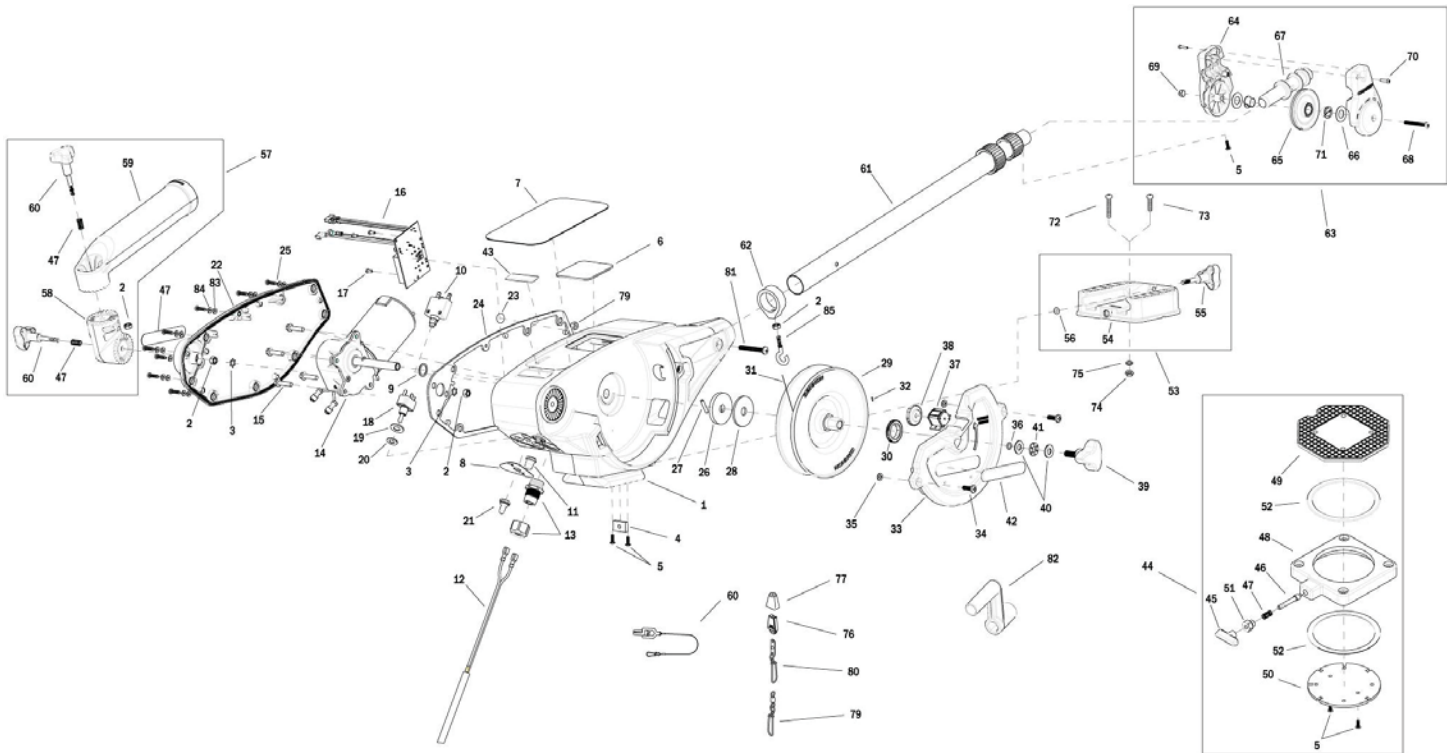


1902306 Magnum 10 STX /E

In the U.S.A., replacement parts may be ordered directly from CANNON Parts Dept. Be sure to provide the MODEL and SERIAL numbers of your downrigger when ordering parts. Please use the correct part numbers from the parts list.

1	3392524	FRAME, RAW	31	3396020	BALL BEARING, REEL	61	3393000	RING, RETAINING, 1/4" SHAFT
2	2263102	NUT-HEX 1/4-20 SS 300SRS	32	3393474	SCREW-DRIVE #14 X .75" SS	62	3991904	ASSY-CNN, ROD HOLDER
3	3394722	INSERT, PUSH ON	33	3391906	PLATE, CLUTCH REEL	63	3394200	ARM, DUAL AXIS-ROD HOLDER
4	3394702	INSERT, BASE	34	3393418	SCREW-#10-16X.75"HI-LO SS	64	3392033	TUBE, DUAL AXIS RD HLDR
5	2373450	SCREW-#8-18 X 3/8 THD* (SS)	35	3333011	GEAR REEL (METRIC)	65	2277002	ASY HDW RELEASE UNIVERSAL
6	3396510	LENS-WINDOW MAG DTIV	36	3775397	400' CABLE	66	2210821	ASY BOOM TELESCOPIC
7	3395580	DECAL, MAG 10	37	9100070	CON LEADER SLEEVE	67	3397900	BALL HOOK EXTRUSION
8	3396601	SEAL PLATE, MAGNUM	38	3390205	COVER, REEL	68	3990200	ASSY-CNN, BOOM END (SUB)
9	3391730	WASHER, SEAL, DATA	39	2373434	SCREW-1/4-20 X 3/4 SS PPMs	69	3392520	CASE, PULLEY
10	3398205	CIRCUIT BREAKER, 25 AMP	40	2071718	WASHER #10 NYLON RETAINING	70	3392300	SHEEVE, PULLEY
11	1221491	BOOT CIRCUIT BREAKER	41	3394605	O-RING, KNOB	71	3391507	SHIM, BOOM END
12	3993220	ASSY, POWER CABLE, RETRO(SUB)	42	3320011	COUNTER 3 DIGIT (METRIC)	72	3392013	BOOM END, NEW
13	3392920	STRAIN-RELIEF, HEYCO M4502	43	3333010	GEAR COUNTER (METRIC)	73	3393485	SCREW-#10-24X1.75 PPHMS S
14	3996515	MOTOR/GEAR HOUSING ASSY	44	3390103	KNOB, SOFT GRIP, CLUTCH	74	3393124	NUT-#10-32 NYLOK 18-8 SS
15	3393411	SCREW-FLANGE HEX HI-LO	45	3391737	HDW WASHER, THRUST	75	2303412	SCREW-#6-20 X 5/8 SELF TAP
16	3394006	ASY PCA, MAGNUM	46	9010280	HDW BEARING, THRUST	76	3390005	BEARING-NYLINER, #8L5-1/2-F
17	2302104	SCREW-#6-20 X 3/8	47	3395634	DECAL- SIDE, BLACK	77	9280720	HDW SCR 1/4 20X2 TRUSS HD PHIL
18	2286792	SWITCH, TOGGLE	48	3395710	DECAL-PIC BLACK	78	9280713	HDW SCR 1/4 20X1 1/2 TRUSS HEA
19	3391722	WASHER, FLAT	49	2998905	CNN ASY, SWIVEL BASE	79	2263103	NUT-1/4-20 NYLOCK SS
20	2286793	HDW SHIM SWITCH .75X.1	50	2249001	HDW KNB RELEASE PIN	80	2371712	WASHER-FLAT 9/32 X 5/8 X 1/16
21	1221490	BOOT SWITCH	51	3392600	PIN - RELEASE	81	9100100	CON TERMINATOR
22	3390203	COVER, MOTOR	52	2287002	HDW SPRING RELEASE PIN	82	9100101	CUSHION SLEEVE TERMINATOR
23	401966-3	MIC VENT,PTFE LU LRA MATERIAL	53	2267001	ASY PLATE BASE MACHINED	83	9100620	HDW SNAP SWIVEL 4/0-37 MARLIN
24	3396902	GASKET, COVER	54	2267002	BRK PLATE SWIVEL	84	2200148	ASY SNAP & INSULATOR
25	3393480	SCREW-#10X.75"PPH HI-LO SS	55	3391919	PLATE, INDEX TS	85	9040040	HDW BOLT 1/4-20 ROLLEDTHD HOOK
26	3391907	PLATE, CLUTCH SHAFT	56	2277001	HDW RETAINER RELEASE NUT	86	3393461	SCREW-1/4-20 x 2" SS, PPH
27	3392640	PIN, DRIVESHAFT	57	9010004	HDW BEARING SWIVEL BASE	87	3390910	HANDLE-CRANK, MANUAL
28	3391711	PAD, CLUTCH	58	3991930	ASY, MNT BASE DT/MAG(SUB)	88	3391732	WASHER, SEALING
29	3777927	REEL, ROUGH, 3.75" OD	59	3391955	BASE-MOUNT, DT PRO/MAG ST	89	3394602	WASHER, FLAT, #8, SS
30	3392707	SPRING, REEL	60	3390101	KNOB-CANNON, SOFT GRIP			

1902310 Magnum 10 STX TS

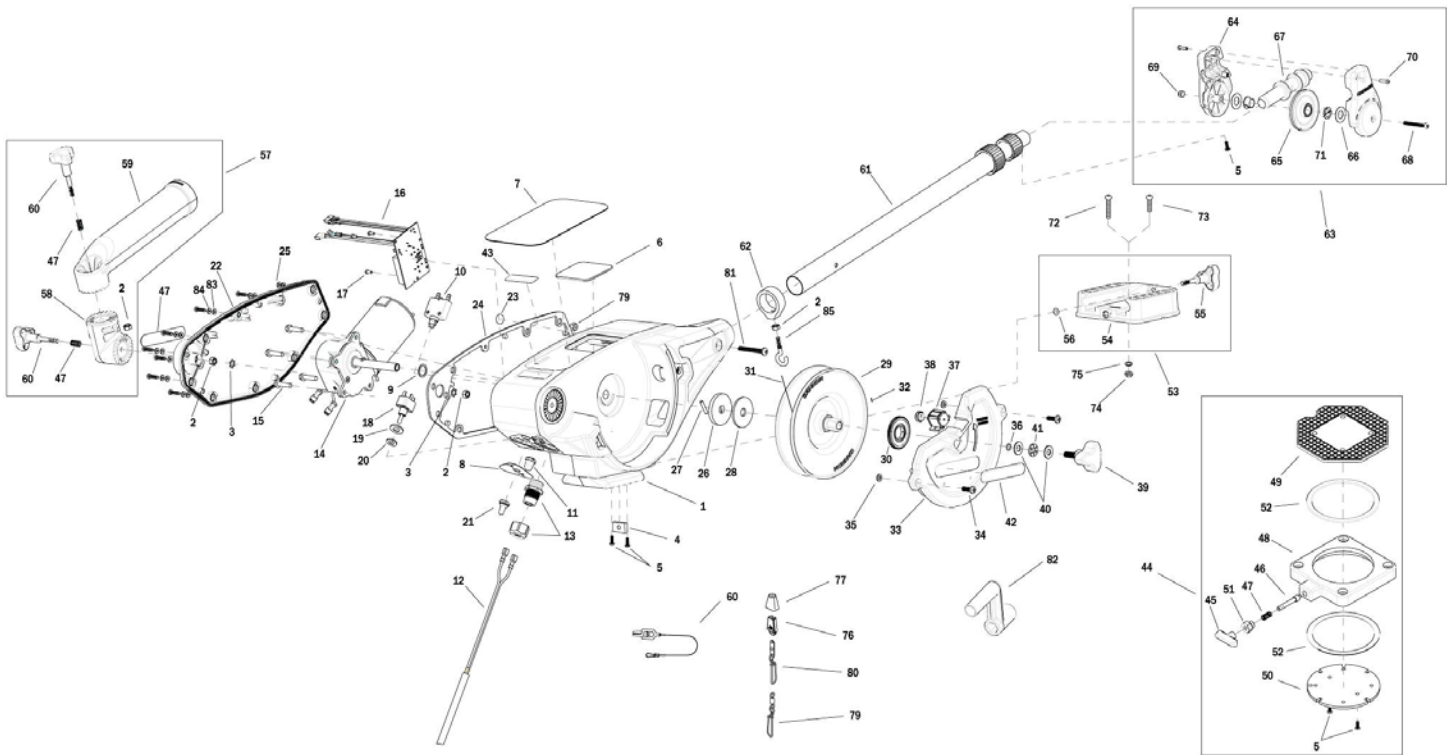


1902310 Magnum 10 STX TS

In the U.S.A., replacement parts may be ordered directly from CANNON Parts Dept. Be sure to provide the MODEL and SERIAL numbers of your downrigger when ordering parts. Please use the correct part numbers from the parts list.

1	3392525	FRAME, RAW, TS	29	3777927	REEL, ROUGH, 3.75" OD	57	3991904	ASSY-CNN, ROD HOLDER
2	2263102	NUT-HEX 1/4-20 SS 300SRS	30	0233560	GEAR, REEL, STD	58	3394200	ARM, DUAL AXIS-ROD HOLDER
3	3394722	INSERT, PUSH ON	31	3775397	400' CABLE	59	3392033	TUBE, DUAL AXIS RD HLDR
4	3394702	INSERT, BASE	32	9100070	CON LEADER SLEEVE	60	2200109	SALTWATER RELEASE
5	2373450	SCREW-#8-18 X 3/8 THD* (SS)	33	3390206	COVER, REEL, TS	61	3392010	ASY BOOM TELESCOPIC, SS
6	3396510	LENS-WINDOW MAG DTIV	34	2373434	SCREW-1/4-20 X 3/4 SS PPHMS	62	3397900	BALL HOOK EXTRUSION
7	3395581	DECAL, MAG 10, TS	35	2071718	WASHER #10 NYLON RETAINING	63	3990200	ASSY-CNN, BOOM END (SUB)
8	3396601	SEAL PLATE, MAGNUM	36	3394605	O-RING, KNOB	64	3392520	CASE, PULLEY
9	3391730	WASHER, SEAL, DATA	37	0220477	METER 3 DIGIT	65	3392300	SHEEVE, PULLEY
10	3398205	CIRCUIT BREAKER, 25 AMP	38	0833561	GEAR, COUNTER	66	3391507	SHIM, BOOM END
11	1221491	BOOT CIRCUIT BREAKER	39	3390103	KNOB, SOFT GRIP, CLUTCH	67	3392013	BOOM END, NEW
12	3993220	ASSY, POWER CABLE, RETRO(SUB)	40	3391737	HDW WASHER, THRUST	68	3393485	SCREW-#10-24X1.75 PPHMS S
13	3392920	STRAIN-RELIEF, HEYCO M4502	41	9010280	HDW BEARING, THRUST	69	3393124	NUT-#10-32 NYLOK 18-8 SS
14	3996515	MOTOR/GEAR HOUSING ASSY	42	3395634	DECAL- SIDE, BLACK	70	2303412	SCREW-#6-20 X 5/8 SELF TAP
15	3393411	SCREW-FLANGE HEX HI-LO	43	3395711	DECAL-PIC BLACK, TS	71	3390005	BEARING-NYLINER, #8L5-1/2-F
16	3394006	ASY PCA, MAGNUM	44	2998905	CNN ASY, SWIVEL BASE	72	9280720	HDW SCR 1/4 20X2 TRUSS HD PHIL
17	2302104	SCREW-#6-20 X 3/8	45	2249001	HDW KNB RELEASE PIN	73	9280713	HDW SCR 1/4 20X1 1/2 TRUSS HEA
18	2286792	SWITCH, TOGGLE	46	3392600	PIN - RELEASE	74	2263103	NUT-1/4-20 NYLOCK SS
19	3391722	WASHER, FLAT	47	2287002	HDW SPRING RELEASE PIN	75	2371712	WASHER-FLAT 9/32 X 5/8 X 1/16
20	2286793	HDW SHIM SWITCH .75X.1	48	2267001	ASY PLATE BASE MACHINED	76	9100100	CON TERMINATOR
21	1221490	BOOT SWITCH	49	2267002	BRK PLATE SWIVEL	77	9100101	CUSHION SLEEVE TERMINATOR
22	3390204	COVER, MOTOR, TS	50	3391919	PLATE, INDEX TS	78	9100620	HDW SNAP SWIVEL 4/0-37 MARLIN
23	401966-3	MIC VENT,PTFE LU LRA MATERIAL	51	2277001	HDW RETAINER RELEASE NUT	79	2200148	ASY SNAP & INSULATOR
24	3396902	GASKET, COVER	52	9010004	HDW BEARING SWIVEL BASE	80	9040040	HDW BOLT 1/4-20 ROLLEDTHD HOOK
25	3393480	SCREW-#10X.75"PPH HI-LO SS	53	3991930	ASY, MNT BASE DT/MAG(SUB)	81	3393461	SCREW-1/4-20 x 2" SS, PPH
26	3391907	PLATE, CLUTCH SHAFT	54	3391955	BASE-MOUNT, DT PROMAG ST	82	3390910	HANDLE-CRANK, MANUAL
27	3392640	PIN, DRIVESHAFT	55	3390101	KNOB-CANNON, SOFT GRIP	83	3391732	WASHER, SEALING
28	3391711	PAD, CLUTCH	56	3393000	RING, RETAINING, 1/4" SHAFT	84	3394602	WASHER, FLAT, #8, SS

1902311 Magnum 10 STX TS /E

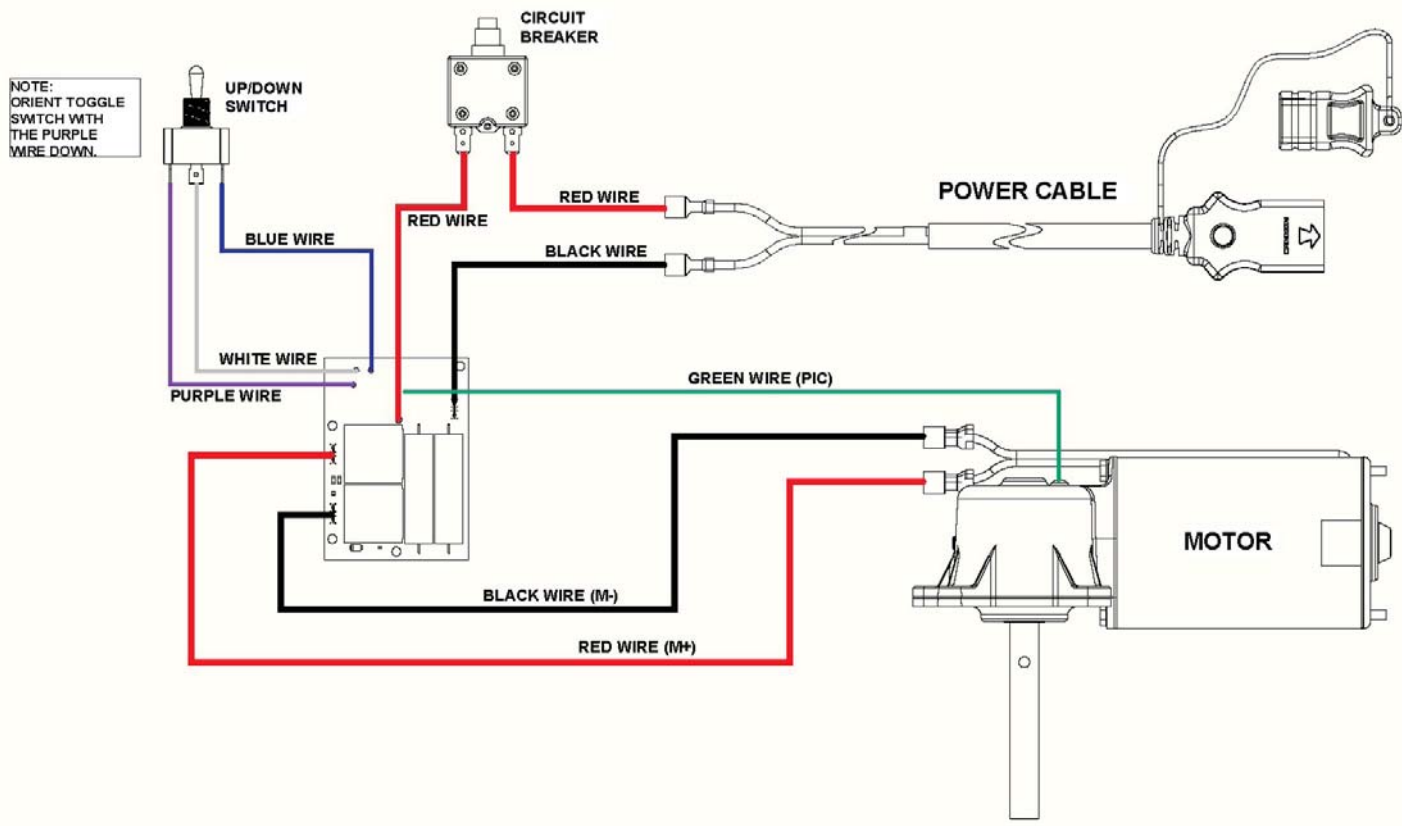


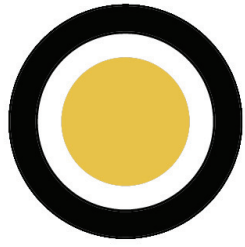
1902311 Magnum 10 STX TS /E

In the U.S.A., replacement parts may be ordered directly from CANNON Parts Dept. Be sure to provide the MODEL and SERIAL numbers of your downrigger when ordering parts. Please use the correct part numbers from the parts list.

1	3392525	FRAME, RAW, TS	29	3777927	REEL, ROUGH, 3.75" OD	57	3991904	ASSY-CNN, ROD HOLDER
2	2263102	NUT-HEX 1/4-20 SS 300SRS	30	3333011	GEAR REEL (METRIC)	58	3394200	ARM, DUAL AXIS-ROD HOLDER
3	3394722	INSERT, PUSH ON	31	1015391	WIRE, .034 DIA, CAMO BULK	59	3392033	TUBE, DUAL AXIS RD HLDR
4	3394702	INSERT, BASE	32	9100070	CON LEADER SLEEVE	60	2200109	SALTWATER RELEASE
5	2373450	SCREW-#8-18 X 3/8 THD* (SS)	33	3390206	COVER, REEL, TS	61	3392010	ASY BOOM TELESCOPIC, SS
6	3396510	LENS-WINDOW MAG DTIV	34	2373434	SCREW-1/4-20 X 3/4 SS PPHMS	62	3397900	BALL HOOK EXTRUSION
7	3395581	DECAL, MAG 10, TS	35	2071718	WASHER #10 NYLON RETAINING	63	3990200	ASSY-CNN, BOOM END (SUB)
8	3396601	SEAL PLATE, MAGNUM	36	3394605	O-RING, KNOB	64	3392520	CASE, PULLEY
9	3391730	WASHER, SEAL, DATA	37	3320011	COUNTER 3 DIGIT (METRIC)	65	3392300	SHEEVE, PULLEY
10	3398205	CIRCUIT BREAKER, 25 AMP	38	3333010	GEAR COUNTER (METRIC)	66	3391507	SHIM, BOOM END
11	1221491	BOOT CIRCUIT BREAKER	39	3390103	KNOB, SOFT GRIP, CLUTCH	67	3392013	BOOM END, NEW
12	3993220	ASSY, POWER CABLE, RETRO(SUB)	40	3391737	HDW WASHER, THRUST	68	3393485	SCREW-#10-24X1.75 PPHMS S
13	3392920	STRAIN-RELIEF, HEYCO M4502	41	9010280	HDW BEARING, THRUST	69	3393124	NUT-#10-32 NYLON 18-8 SS
14	3996515	MOTOR/GEAR HOUSING ASSY	42	3395634	DECAL- SIDE, BLACK	70	2303412	SCREW-#6-20 X 5/8 SELF TAP
15	3393411	SCREW-FLANGE HEX HI-LO	43	3395711	DECAL-PIC BLACK, TS	71	3390005	BEARING-NYLINER, #8L5-1/2-F
16	3394006	ASY PCA, MAGNUM	44	2998905	CNN ASY, SWIVEL BASE	72	9280720	HDW SCR 1/4 20X2 TRUSS HD PHIL
17	2302104	SCREW-#6-20 X 3/8	45	2249001	HDW KNB RELEASE PIN	73	9280713	HDW SCR 1/4 20X1 1/2 TRUSS HEA
18	2286792	SWITCH, TOGGLE	46	3392600	PIN - RELEASE	74	2263103	NUT-1/4-20 NYLOCK SS
19	3391722	WASHER, FLAT	47	2287002	HDW SPRING RELEASE PIN	75	2371712	WASHER-FLAT 9/32 X 5/8 X 1/16
20	2286793	HDW SHIM SWITCH .75X.1	48	2267001	ASY PLATE BASE MACHINED	76	9100100	CON TERMINATOR
21	1221490	BOOT SWITCH	49	2267002	BRK PLATE SWIVEL	77	9100101	CUSHION SLEEVE TERMINATOR
22	3390204	COVER, MOTOR, TS	50	3391919	PLATE, INDEX TS	78	9100620	HDW SNAP SWIVEL 4/0-37 MARLIN
23	401966-3	MIC VENT,PTFE LU LRA MATERIAL	51	2277001	HDW RETAINER RELEASE NUT	79	2200148	ASY SNAP & INSULATOR
24	3396902	GASKET, COVER	52	9010004	HDW BEARING SWIVEL BASE	80	9040040	HDW BOLT 1/4-20 ROLLEDTHD HOOK
25	3393480	SCREW-#10X.75"PPH HI-LO SS	53	3991930	ASY, MNT BASE DT/MAG(SUB)	81	3393461	SCREW-1/4-20 x 2" SS, PPH
26	3391907	PLATE, CLUTCH SHAFT	54	3391955	BASE-MOUNT, DT PROMAG ST	82	3390910	HANDLE-CRANK, MANUAL
27	3392640	PIN, DRIVESHAFT	55	3390101	KNOB-CANNON, SOFT GRIP	83	3391732	WASHER, SEALING
28	3391711	PAD, CLUTCH	56	3393000	RING, RETAINING, 1/4" SHAFT	84	3394602	WASHER, FLAT, #8, SS

Magnum Series Wiring Diagram





CANNON®

CAUTION:
READ THIS MANUAL CAREFULLY
BEFORE OPERATING YOUR NEW
CANNON® DOWNRIGGER.
RETAIN FOR FUTURE REFERENCE.

MAG 10HS



MAG 10TS



MAG 5HS



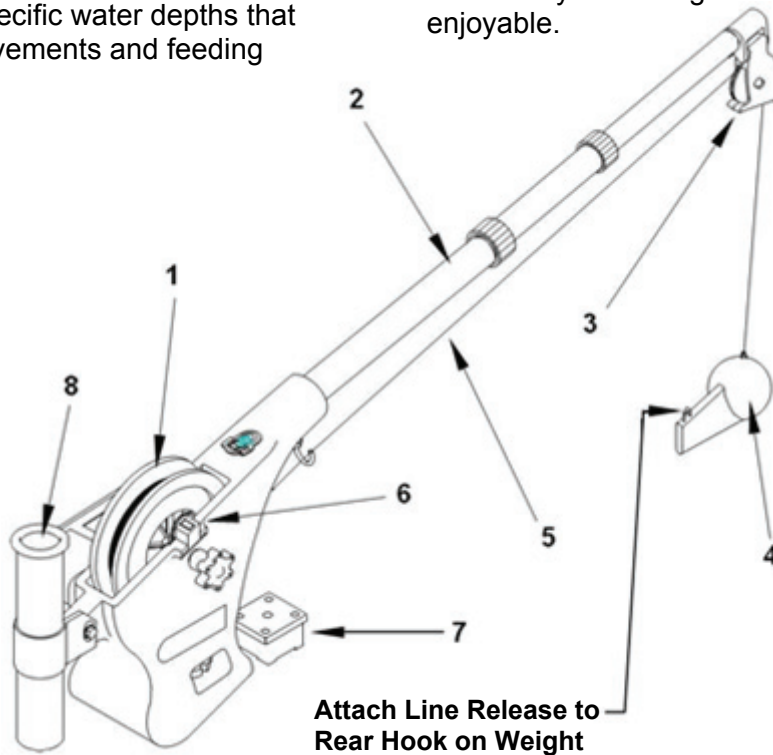
Introduction to Controlled Depth Fishing

Undoubtedly there are many fishermen familiar with the methods and use of controlled depth fishing. During the mid 1960's the state of Michigan introduced Pacific salmon into the Great lakes in an attempt to revitalize its sport fishing industry. From this successful transplant, new fishing techniques and equipment were developed. One such method was controlled depth fishing which enabled fishermen to place a lure at a desired depth by utilizing downriggers.

Because of the varying factors (water temperature, thermocline, weather, tides, time of day, or time of year) it is necessary for successful fishing to maintain specific water depths that coincide with fish movements and feeding patterns.

One essential feature of the downrigger is the depth meter or gauge that indicates lure depth. This allows the angler to control as well as return to specific depths where fish have been caught.

Due to the success of controlled depth fishing, downriggers are now being used throughout the world to catch a wide variety of species in both fresh and salt water. Whether fishing for blues off Rhode Island, walleyes in Lake Erie, sailfish off the coast of Florida, or stripers in Tennessee, the use of downriggers will make your fishing more successful and more enjoyable.



Attach Line Release to Rear Hook on Weight

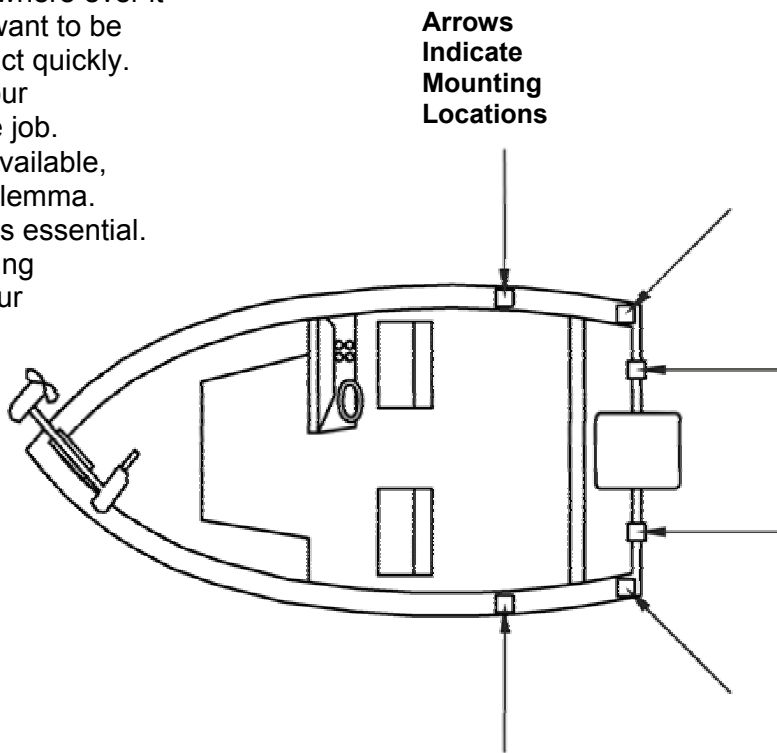
Parts Description

1. **Reel** This is used to spool the cable, available in lengths ranging from 150 to 400 feet.
2. **Boom** This is used to extend the weight out from the body of the downrigger and has a pulley fixed to its end. Boom lengths range from 24 to 53 inches.
3. **Swivel Head** This relays the cable at the end of the boom to lower the weight.
4. **Weight** This is used to maintain the depth at which you want to fish. Sizes of weights range from 4 to 20 lbs.
5. **Cable** This connects to the weight. Cable material is 150 lb. test stainless steel cable.
6. **Depth Meter** This determines how much cable you have run out, enabling you to choose your trolling depth.
7. **Mounting Base** This attaches to the boat, enabling you to place the downrigger where you choose.
8. **Rod Holder** This holds your fishing rods while trolling and may also be used for storing rods.

Downrigger Mounting on Boats

A downrigger should be mounted where ever it is easy to operate and observe. You want to be able to see your fishing rod and to react quickly. So, choosing a good spot to mount your downrigger on your boat is 99% of the job.

Due to the great variety of boats available, mounting your downrigger can be a dilemma. Having proper mounting accessories is essential. Cannon has a complete line of mounting accessories to conveniently mount your downriggers on any boat.



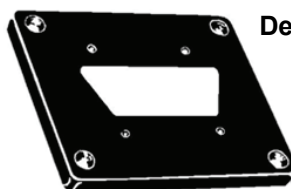
Arrows Indicate Mounting Locations

Mounting Accessories

Deck Plates are necessary when extra strength must be added to the base material of the boat and for attaching the downrigger to other mounting accessories.

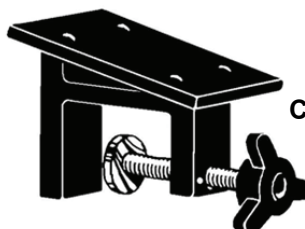
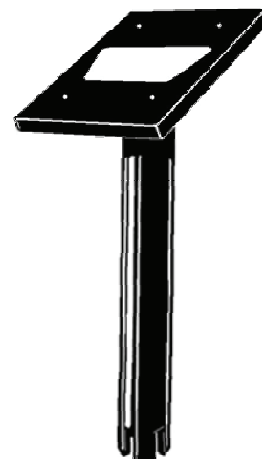
Gimbal Mounts are designed to fit medium-sized flush mounted rod holders built into the gunwale of many larger fishing boats and cruisers. Only sturdy, high quality rod holders should be used for this temporary mounting system. Gimbal mounts are available in 9" or 12" post lengths.

Clamp Mounts can be mounted at the junction of two rail sections with the aid of two 1/4" pieces of plywood. They will protect your rail from any marks from the clamp and provide a non-slip urface.



Deck Plate

Gimbal Mount



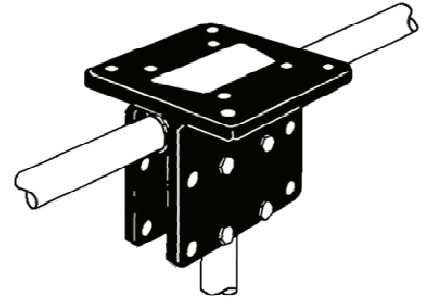
Clamp Mount

Side Rail Mounting

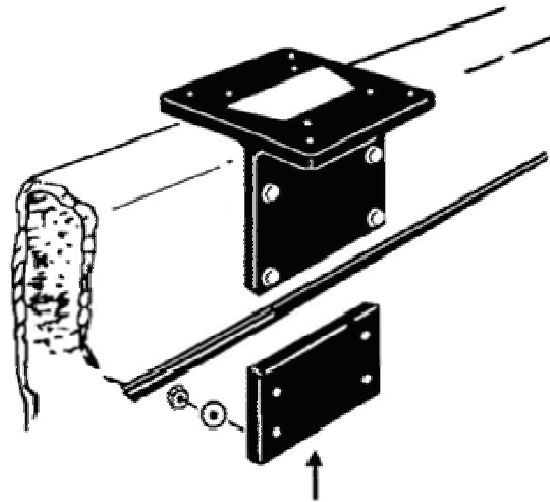
Side/Rail mounts can be mounted to a welded T-section. It can also be used at the two rail section butt joint. In both installations it is recommended to use a non-slip material, such as rubber or a thin wood sheet, between metal surfaces.

You can also use these for mounting to a very narrow side gunwale. There is a plate provided for back-up with bolts and washers. If the gunwale compartment is foamed in, then wellnuts should be used. It is also recommended to install two additional flat head screws through the top plate for stabilization (you will need to drill and countersink).

Side/Rail on T-Section



Side/Rail on Gunwale



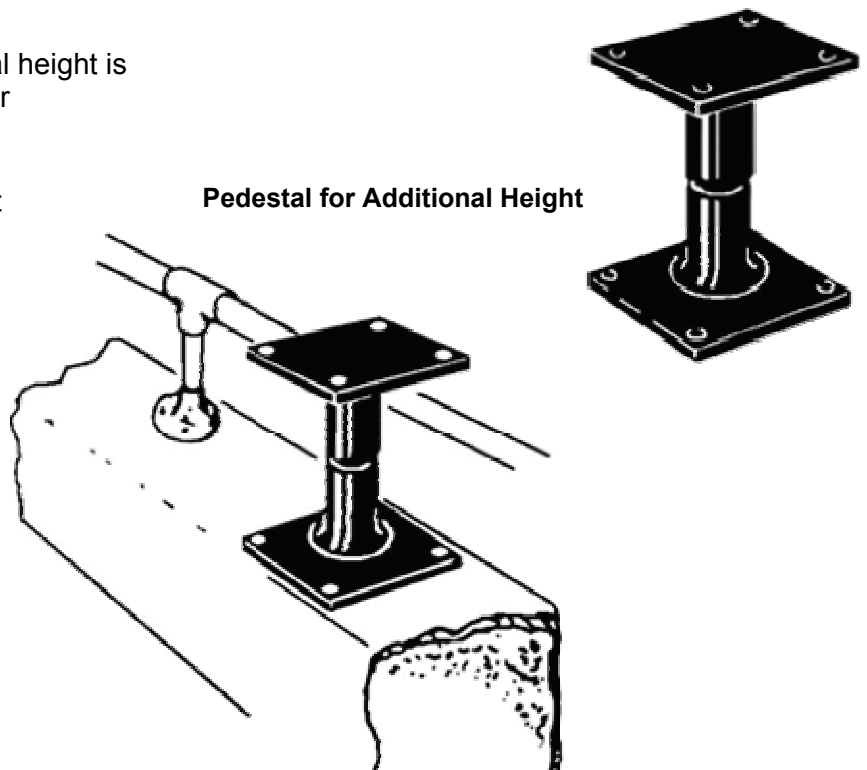
NOTE: In no case should this mount be used on fiberglass 1/4" thick or less unless it is foamed in.

Pedestal Mounting

Pedestals are used wherever additional height is needed for ease of operation or to clear obstructions, such as handrails.

Caution: When using a pedestal mount or side/rail mount, do not extend the telescopic boom on your Mag 10 HS \ Mag 10 TS. The increased leverage will cause excessive strain and possible failure of the mount.

Pedestal for Additional Height



Installing the Base on Your Boat

Decks up to 7/16" thick

Where access to the underside of the deck is not available, the mounting base can be mounted using wellnuts. Use the base as a template to mark locations and drill four 1/2" holes. Mount the base using four 1/4-20 x 4" truss head screws and four wellnuts. Tighten the screws so the wellnuts are firmly compressed as pictured.

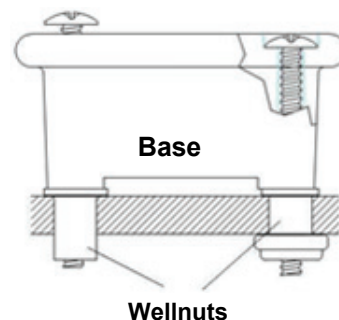
Decks thicker than 7/16"

For decks thicker than 7/16", or where the underside of the deck is accessible, mount the base with screws, nuts, and washers. Use the base as a template to mark the locations and drill four 9/32" holes. Use four 1/4-20 x 4" truss head screws and four each flat washers, lock washers, and nuts. Fasten the base to the deck as pictured. NOTE: Wellnuts cannot be used on decks thicker than 7/16".

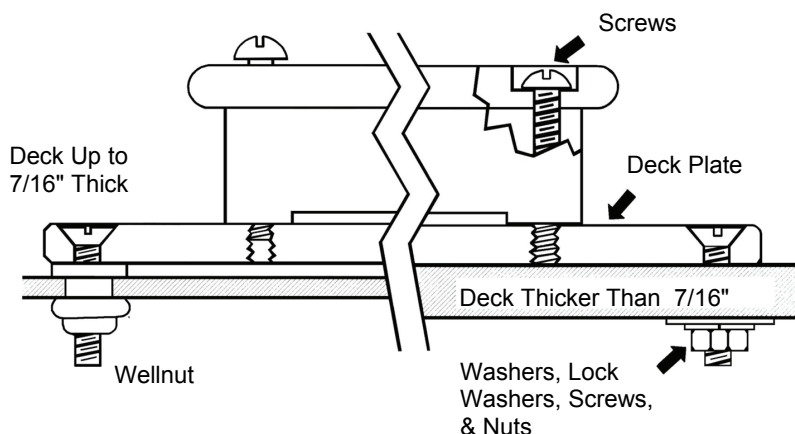
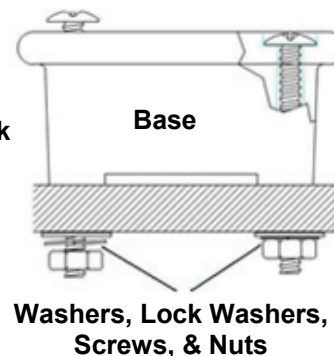
Decks thinner than 1/4"

Use a Cannon deck plate to prevent deflection and add stability to decks thinner than 1/4". Use the deck plate as a template to mark the hole locations.

Decks up to 7/16" Thick



Decks Thicker Than 7/16" Thick



If access to the underside of the deck is not available, the deck plate can be mounted using screws and wellnuts. Drill 1/2" holes. Use four 1/4-20 x 2" flat head screws and four wellnuts to mount deck plate as pictured. Tighten the screws so the wellnuts are firmly compressed.

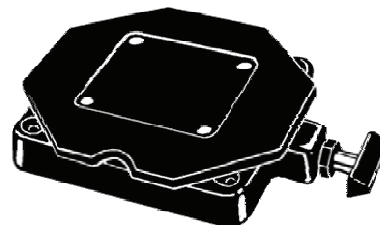
Where the underside is accessible, the deck plate can be mounted using screws, nuts, and washers. Drill 9/32" holes. Use four 1/4-20 x 2" flat head screws, nuts and washers (flat and lock). Fasten plate to deck as pictured. To secure the mounting base to the deckplate use four 1/4-20 x 2" truss head screws.

NOTE: When using the telescopic boom, we strongly recommend the use of a deck plate on all boats to provide adequate stability for the downrigger.

FOR MAG 10 HS and MAG 10 TS:

The Low-Profile Swivel Base mounting follows the same procedure as for the deck plate except that four 1/4"-20 x 2 1/2" truss head screws are used to fasten the mounting base and four additional 1/4"-20 x 2 1/2" truss head screws fix the swivel base to the boat deck.

Low-Profile Swivel Base



Mounting the Downrigger on the Base

Slide body over the lip of the base, with boom outboard or facing the stern. Lift Lock Knob to hold threaded shaft clear of base until body completely covers base. Turn Lock Knob clockwise to tighten the downrigger to the base.

Tip: Periodically check base to ensure integrity. The base should be replaced at least every 5 years.

Setting Up Your Downrigger

Attaching the Boom

Telescopic Boom

The intermediate section of the telescopic boom must be extended approximately 5" before the boom locking screw can engage the hole in the boom. Slip the boom end into the frame and align the holes. Secure with boom locking screw.

To adjust boom length, with the boom extending away from you, rotate clamps approximately 1/4 turn counter-clockwise to unlock, and slide boom section to desired position. To lock, rotate clamp clockwise until tight.

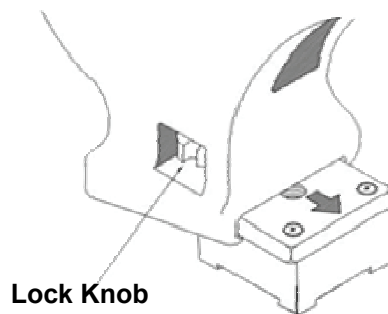
The Standard 24 Inch Boom inserts into the downrigger frame. Be sure that the boom is held securely by seating it firmly against the shoulder inside the frame and fastening the boom locking screw such that it engages the hole in the boom.

Assemble Swivel Head To Boom

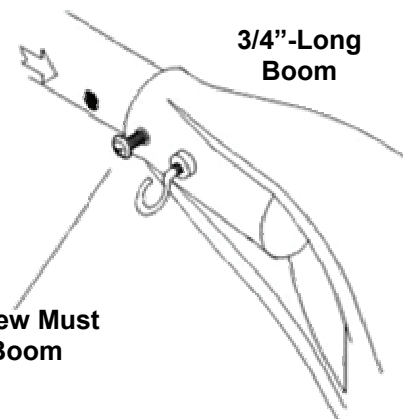
Insert the telescopic boom-end into the boom-align holes and fasten in place with a #8x5/8 screw. Spread the swivel head side plates and slip the assembly over the boom end axle. Snap the assembly together and install two #4x1/2" screws into the swivel head.

TIP: Adjusting the angle of the boom head can help control cable wrap on the reel.

TIP: Whenever downriggers with boom lengths beyond 24" are used, Cannon's Retro-Ease Weight Retriever will make bringing in the weight safe and easy. It attaches to the cable below the boom end allowing you to pull the weight to yourself without having to lean way out or collapse the boom to reach the weight.

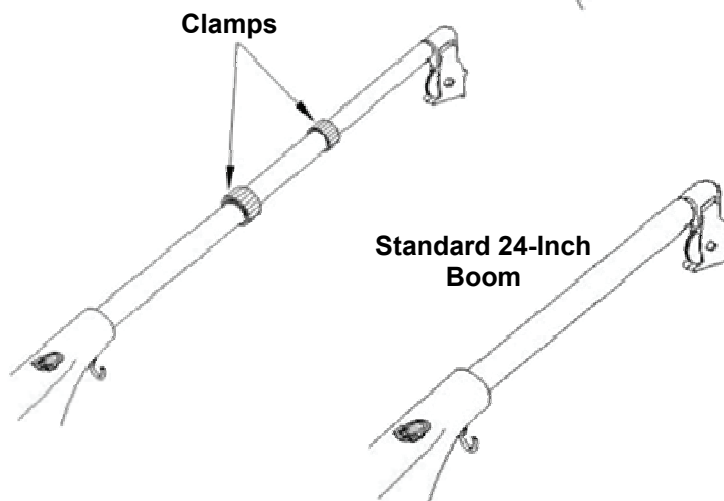


Lock Knob



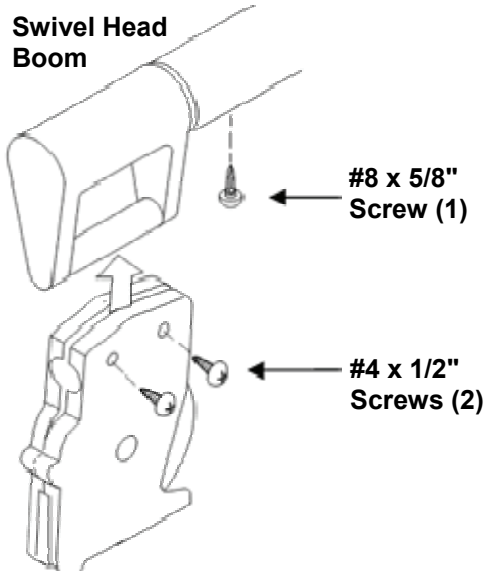
3/4"-Long Boom

The Locking Screw Must Engage Hole in Boom



Clamps

Standard 24-Inch Boom

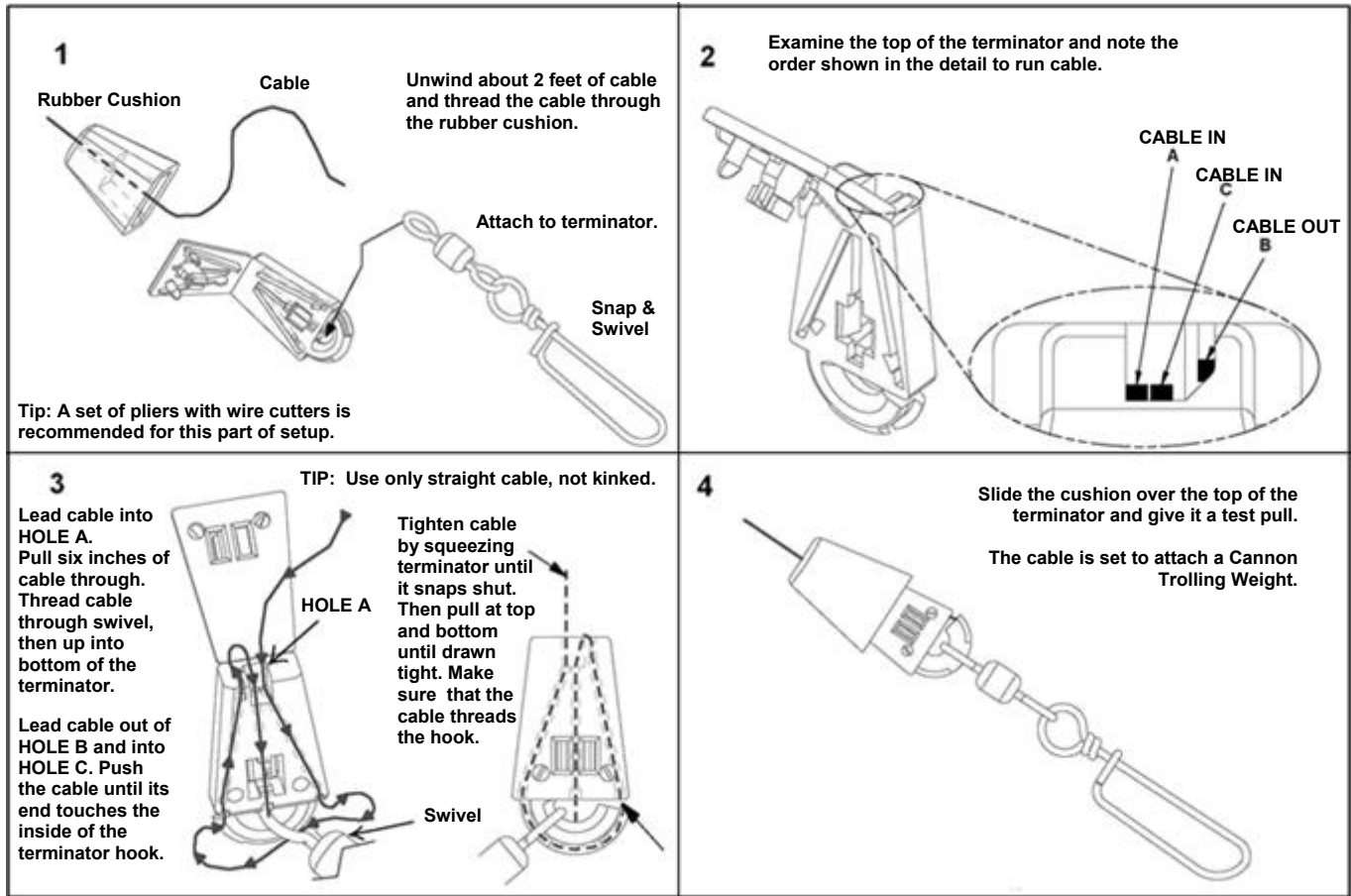


Swivel Head Boom

#8 x 5/8" Screw (1)

#4 x 1/2" Screws (2)

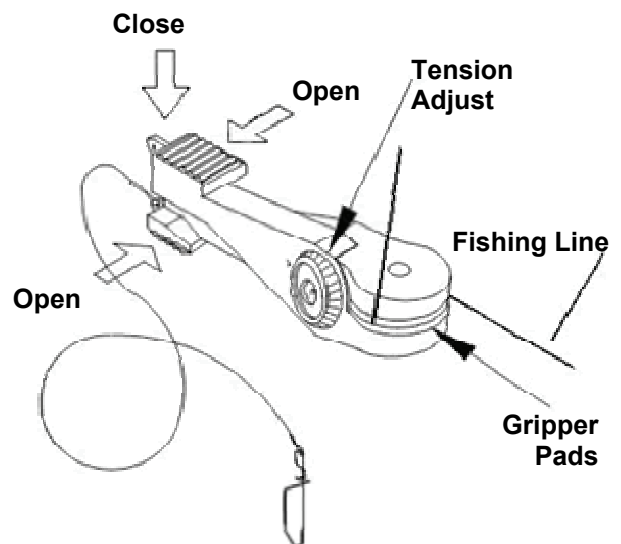
Terminating the Downrigger Cable



Cannon Uni-Release

The Cannon Uni-Release attaches directly to the downrigger weight. Attach fishing line to the clip at the end of the release, and then click through a series of increasing tension settings. The release can be used with any test line on salt or fresh water and may be adjusted from 2 to 22 pounds of grip tension on the line.

To change line release tension, turn tension knob to (+) to increase or (-) to decrease. Tension also may vary according to where the line is placed in the grips. Higher tension is on the line if it is set back toward the hinge, and lower if set closer to the opening. To open the release, spread the release arms with thumb and forefinger applying pressure to the sides.



Attaching the Rod Holder

The positive lock rod holder incorporates a locking disk that allows the rod holder to be aligned in 15 degree increments. Slide the rod holder tube into the clamp to the desired position within the recommended area (see below).

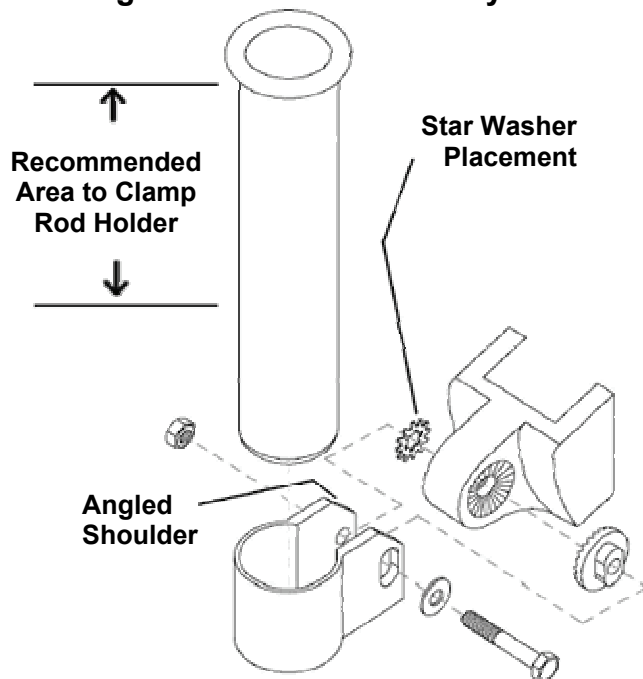
Be sure the angled shoulders are facing up. Place the locking disk into the mating recess of the frame.

Slip the clamp arms in place where the obround tab on the disk fits into the slot on the clamp. Slide the star washer between the arm of the clamp and the frame. Place the flat washer onto the bolt. Then insert the bolt with washer through the clamp by entering the disk, going through the frame, the star washer, and out the other side of the clamp. Tighten the nut to secure the rod holder. Reposition the rod holder by loosening the nut and adjusting the tilt.

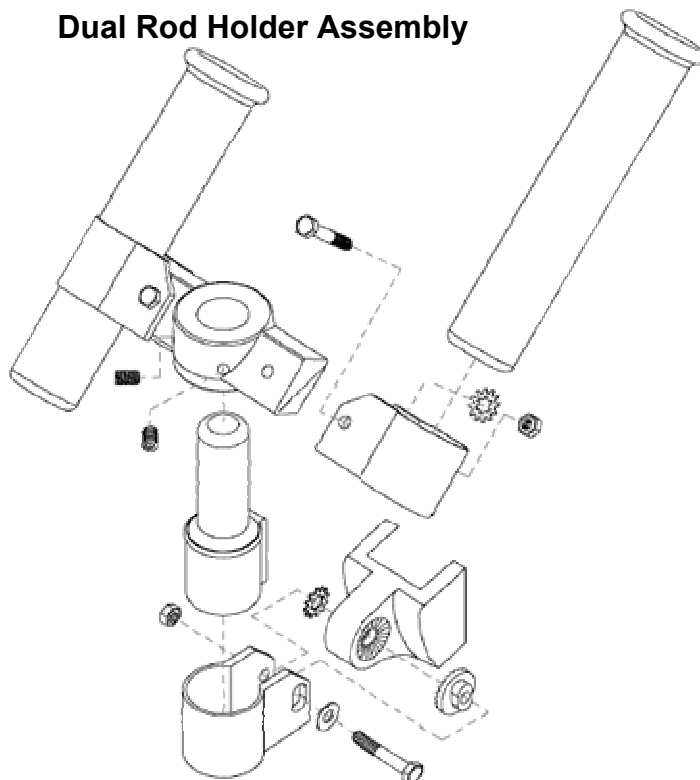
CAUTION: This rod holder is intended for use of up to 30 lb. test line only, and is not recommended for use with any tackle IGFA rated higher than 30 lb. A safety strap (not included) is recommended for all applications.

The rod holder assembly is not warranted when used with tackle above 30 lbs. Equipment placed in the rod holders and the loss thereof is the responsibility of the user and is in no way warranted by JOHNSON OUTDOORS, INC. Mounting must be in accordance with the above instructions and diagram to be warranted.

Single Rod Holder Assembly



Dual Rod Holder Assembly



Wiring Your Downrigger Your Boat's Electrical Condition

It is important to make sure that your boat is properly set up before installing your Mag 10HS \ Mag 10TS \ Mag 5HS with Positive Ion Control. Whenever a boat is in water, various submerged parts interact to create weak electrical currents. These weak electrical currents must be controlled to extend the life of the boat's metal parts and ensure a good fish catching environment.

Check the zinc sacrificial anodes on your boat and on the outboard/outdrive. If they are more than 50% dissolved they should be replaced. Any coating of slime or growth should be cleaned off. All metal parts including the hull (if metal) must be interconnected by a grounding wire. This includes motor shafts, outdrives, and through hull fittings.

If your boat and zincs are set up correctly, the voltage on the stainless steel spool wire of your downrigger should be positive when in contact with the water. The following tips can be useful:

- Use Cannon vinyl coated lead weights. Lead, if not pure, can produce negative charges.
- Use the trolling weight insulators supplied with your downrigger. This insulates your weight from the positive charge on the cable. This will also ensure that the trolling weight will stop at water level when retrieved.
- The cable on your downrigger should be replaced every two years. Etching of the cable can weaken it physically and electrically.
- In saltwater, make sure the sacrificial zincs are replaced when half dissolved. This ensures that the boat will run with a neutral or slightly positive charge. Clean zincs on a regular basis with a non-corrosive brush.
- Always make sure the boat is properly grounded to the water. This will help ensure proper PIC voltage on the cable and that the Short Stop will function properly.

Electrical Specifications & Wiring Instructions

The Mag 10HS \ Mag 10TS \ Mag 5HS are rated at 25 amps (full load), 12 volts DC and is protected by a 30 amp manual reset circuit breaker. Be sure to measure the battery voltage of your boat.

WARNING! - DO NOT RUN THIS DOWNRIGGER ON A 24 VOLT BATTERY SYSTEM. THIS WILL DAMAGE THE UNIT AND VOID YOUR WARRANTY.

Connecting to the Battery:

It is strongly recommended that a fuse or manual-reset circuit breaker be installed at the battery on the positive lead of the power cable or that you connect the downrigger to a battery selector switch. (See Fuse and Wire Specifications below.)

Connect the positive lead (RED) to the (+) post on your battery or the downrigger will not operate. Use the new quick disconnect plug to remove the downrigger without touching the battery.

Tip: Control degradation of the power cables and limit corrosion by using Cannon Ox-Not anti-oxidant gel on all connections.

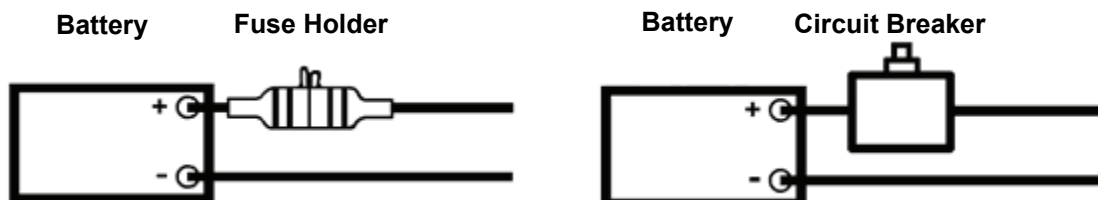
FUSE / BREAKER SPECIFICATIONS:

30 Amp, 32 Volt, waterproof, fast blow.

WIRE SPECIFICATIONS:

0-15 ft.	(0-5 meters)	10 gauge
15-25 ft.	(5-8 meters)	8 gauge
25-30 ft.	(8-9 meters)	6 gauge

CAUTION: When using wire longer than that provided with your unit, follow the above chart. When running more than 30 feet from the battery, contact a qualified electrician.



Note: Your Mag 10HS \ Mag 10TS \ Mag 5HS must be unplugged to check the natural voltage on the stainless steel cable.

Operating Your Downrigger

After mounting the Cannon downrigger to your boat, release some line from your rod and reel so that the lure is anywhere from 5 to 100 feet behind the boat. This is called drop back. Attach the fishing line firmly into the line release. Press and hold the toggle switch down to lower the weight to the desired depth as indicated on the depth meter. Place the fishing rod in the rod holder and reel up the slack so that your rod has a slight bend in it. When a fish strikes the lure, the line will separate from the release. Then you will be free to fight the fish and bring it in on your rod and reel.

Lowering the Weight

The Mag 10HS \ Mag 10TS \ Mag 5HS can lower the trolling weight manually or powered.

Manual Descent: Fast or Slow

By turning the clutch knob gently clockwise (toward the boom), you can let your trolling weight descend as fast or as slowly as you wish. Turning the knob counterclockwise (away from the boom) stops the weight. This gives you control to let it plunge rapidly or sink slowly to a predetermined trolling depth. With multiple downriggers, you could start all your weights creeping down, one at a time, and then stop them each in turn.

Powered Descent: One speed fits all.

Hold the toggle switch down until the weight reaches the desired depth and release. The motor will stop when switch is released or moved to the neutral position.

Raising the Weight

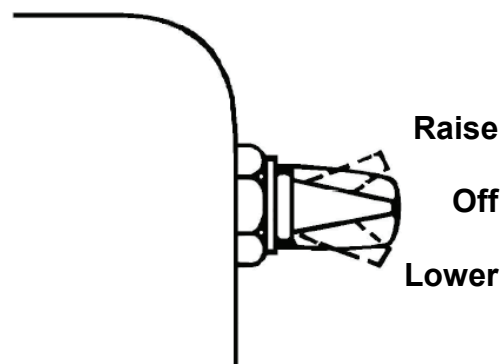
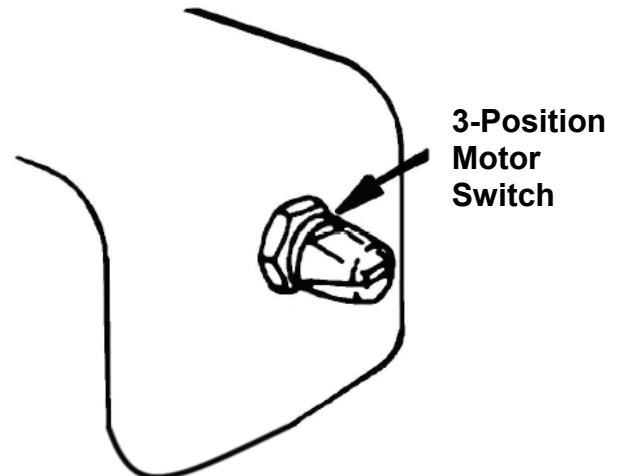
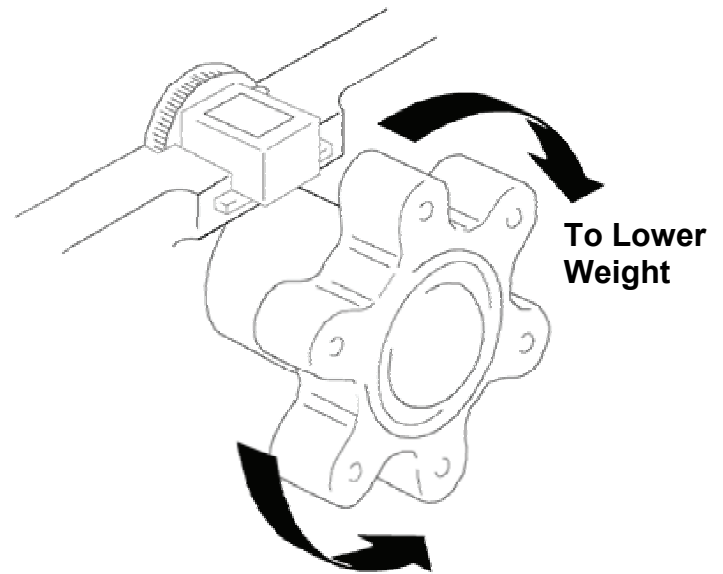
Push the toggle switch up momentarily and release. The weight will rise until it reaches the surface and then automatically stop.

If you want to raise the weight farther push the toggle switch up and hold until the weight reaches the desired position, then release.

To stop the weight during ascent, push the toggle switch down momentarily (approximately 1 second).

NOTE: If your reel continues to slip no matter how hard you tighten the brake adjust knob refer to the Troubleshooting section of this booklet.

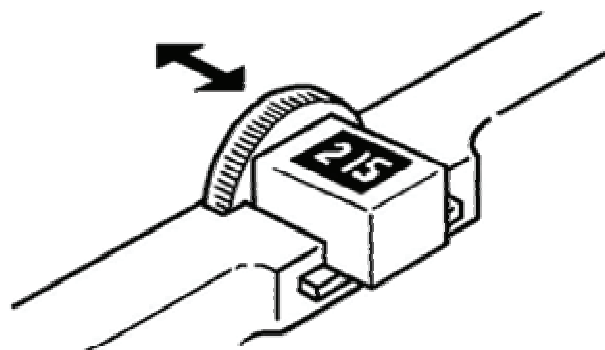
Caution: The brake adjust knob (clutch) should be adjusted so that it is tight enough to hold the weight and the lure at the speed you are trolling. Over-tightening may cause damage to your downrigger when weight hangs up on bottom structure or other obstacles



Adjusting the Depth Meter

The Cannon Depth Meter provides non-slip accuracy, plus easy resetting. To reset, just slide the meter away from the reel until the gears are disengaged. Spin meter gear to change setting.

NOTE: Actual fishing depth may vary from depth shown on meter due to trolling speed and weight of cannon ball. (See "Blowback" on page 12)



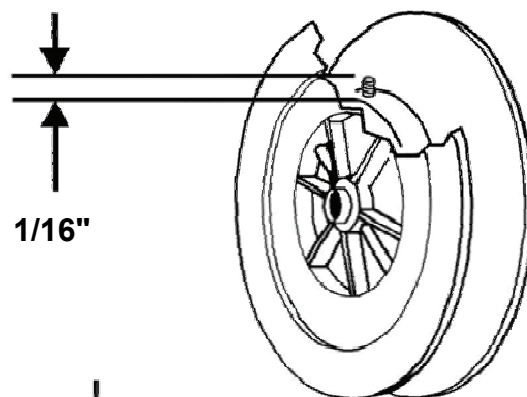
The Short Stop System

The Short Stop system is composed of three critical components: the electronic unit, the reel set screw, and the trolling weight insulator.

While the downrigger cable is in the water, there is a minute electrical current that flows between the cable and the grounded metal boat components in the water. When the cable clears the water, this current flow will stop. The Short Stop system senses this interruption and turns off the motor. The trolling weight insulator is used to break the cable contact to the water while the weight is still in the water. The reel set screw allows the circuit path to be made through the structure of the downrigger.

NOTE: It may be necessary to use two trolling weight insulators.

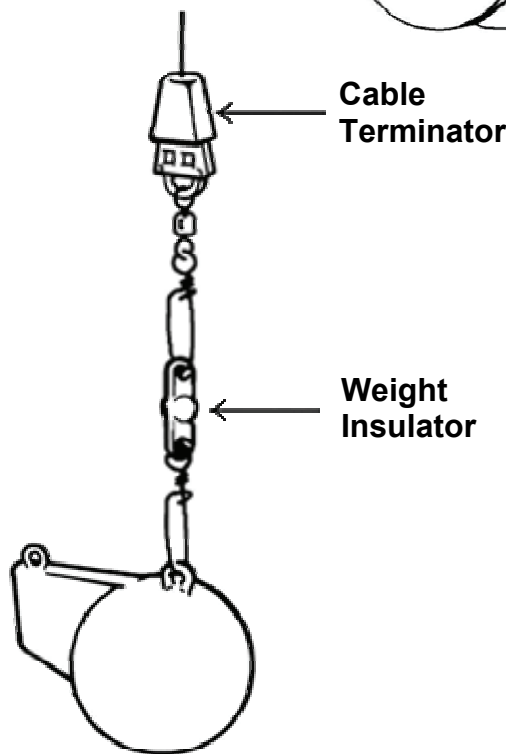
Stopping the weight at water level eliminates the cable strain caused by bouncing weights or weights hitting the boom end. Stopping at water level will also keep the weight from hitting the boat hull.



NOTICE: Short stop and Positive Ion Control features do not function when spooled with monofilament or super lines.

Maintaining Your Downrigger

Periodically, lightly grease the thrust bearing and bearing race found behind the clutch knob. Replace the cable at least every two years. There are no other user serviceable parts on the Mag 10HS \ Mag 10TS \ Mag 5HS. Your warranty will be void if the seal on your unit is broken. For repairs or servicing your downrigger refer to the Warranty Information section of this booklet.



The Positive Ion Control System

Your boat has an electrical charge around the hull in water. If a boat is properly bonded and properly zinced, that charge should be slightly positive when measured from ground to the downrigger cable. Positive Ion Control (PIC) is the use of electricity to control that charge and its fluctuation so that it is always maintained at a specified set voltage.

The practice of setting up and maintaining a slight positive charge on fishing gear has been used by commercial fishermen for many years. This practice has enabled some fisherman to increase yield when used along with other good fishing and boating practices.

Cannon's electric downriggers offer fishermen a big advantage in being able to stabilize and control the positive charge around their boat. Because of the Lexan® construction of the frame, Cannon downriggers are insulated from your boat's hull charge. When the stainless steel downrigger cable is lowered into the water, the natural ionization between the cable and the boat creates a positive charge of 0.7 to 0.9 volts in saltwater and 0.3 to 0.6 volts in fresh water. This natural voltage is dependent upon salinity and mineral content of the water. Your actual voltage may vary.

How the Positive Ion Control System Works

The PIC system uses an internal circuit that passes the voltage through the drive train of the Mag 10HS \ Mag 10TS \ Mag 5HS to the reel set screw. The set screw contacts the cable. Care must be taken to ensure contact between the cable and the set screw when replacing the cable. The positive Ion Control system applies a constant 0.6 volts on the trolling cable at all times.

Measuring the Natural Electrolysis and PIC Voltage on Your Boat

A voltmeter with a scale of zero to one volt will measure the natural electrolysis. Place the ground lead of the meter on the motor or the battery ground. Place the positive lead on the stainless steel downrigger cable while it is in the water. The downrigger must be unplugged. The voltage you measure on the volt meter is your boat's natural electrolysis voltage. Use the same set up to measure the PIC voltage; just plug in the Mag 10HS \ Mag 10TS \ Mag 5HS.

Using Positive Ion Control

Positive Ion Control is very effective when trolling. The zone of attraction created at the downrigger wire will attract the fish. It is best to use a short drop back between the downrigger release and the lure. Drop backs of 10 to 20 ft. are typical. A drop back of 50 to 100 ft will entirely negate the effects of the PIC circuit.

The PIC can be one of your best fishing advantages, depending on fish type and location. For example, Puget Sound Steelhead may not be effected the same as Great Lakes Steelhead. To fully benefit from PIC technology, it is important that your boat is properly grounded. For more information on this subject, refer to "Secrets of Fishing with Electricity" by Ollie Rode.

Blowback

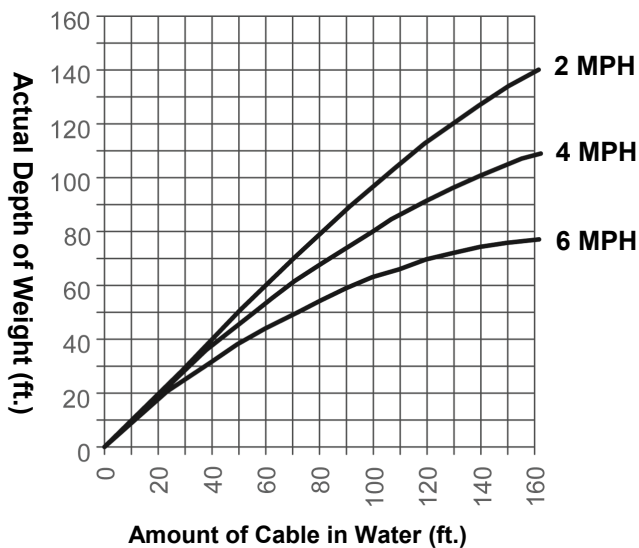
Simply stated, blowback is what happens to the downrigger weight when you pull it through the water behind your boat. As your speed increases, so does the horizontal distance between the weight and your downrigger. The faster you go, the farther the weight is behind you. The farther the weight is behind you, the shallower the weight is.

The following charts provide you with blowback information for three sizes of Cannon downrigger weights pulled at three different speeds with no lures attached and with no current. Current drag, water salinity and the use of non-Cannon products will affect your actual trolling depth.

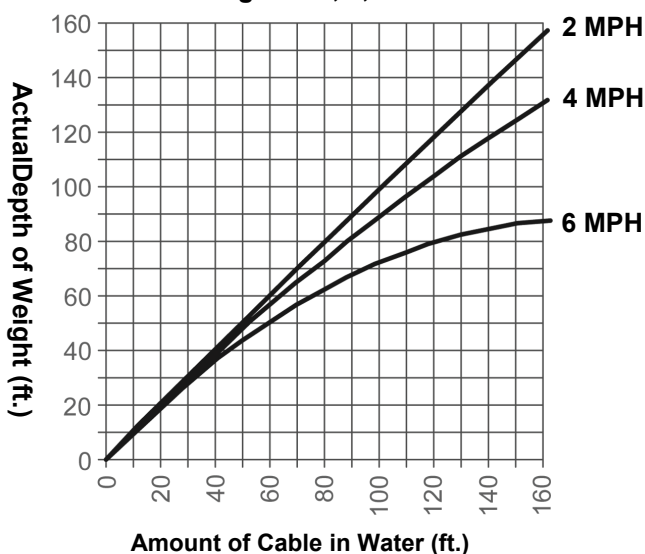
As an example, the first chart shows that if you are trolling at 4 MPH with an 8 pound weight and you have 100 FT. of cable in the water with no current; the downrigger ball is actually at a depth of about 80 FT.

Blowback Charts

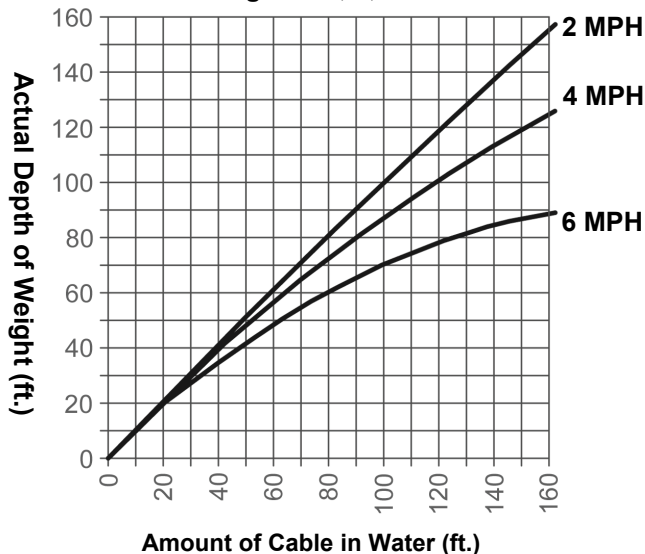
8-Lb. Weight at 2, 4, and 6 MPH



10-Lb. Weight at 2, 4, and 6 MPH



12-Lb. Weight at 2, 4, and 6 MPH



Trouble Shooting

PROBLEM: Up or down will not work.

SOLUTION:

Check the battery cable polarity then check the battery voltage.

A properly connected and charged battery is important for safety and for proper operation of the downrigger.

PROBLEM:

The Mag 10HS \ Mag 10TS \ Mag 5HS fails to continue running after toggle switch is pushed up and held momentarily, while cable is still in water, or is having problems with the PIC voltage.

SOLUTION:

Make sure your boat is properly bonded. A boat that is properly bonded has an electrical path from the negative battery terminal to all metal parts on the boat that contact water.

Additionally, in saltwater the boat must be properly zined to show a natural electrolysis voltage of 0.7 to 0.9 volts. The voltage supply to your downrigger must also be bonded to the boat.

PROBLEM:

Clutch slips

SOLUTION:

The set screw in the reel may have come loose off the shaft. Follow the instructions below:

- 1) Unwind the cable from the reel.
- 2) Remove the set screw.
- 3) Align the set screw hole in the reel with the hole in the reel shaft by inserting a 3/16" or smaller rod and rotating the reel until you feel it drop into the shaft hole.
- 4) Replace the set screw and tighten until you feel resistance.
- 5) By gently rocking the reel back and forth while tightening the set screw, you can feel it engage in the shaft hole. The half dog point on the set screw must enter the hole in the shaft; not just be tightened against the reel shaft.
- 6) The set screw should be about 1/16" above the top of the hole when it is properly seated (not so for TS models). The contact between the stainless steel cable and the set screw is important for proper operation of the Positive Ion Control system.

Ten Good Trolling Tips

1) Test your lures over the boat side before sending them down and back. Do this to make sure the lure wiggles and wobbles properly without going belly up or wandering off. Some lures can be adjusted, fine tuned actually, to impart maximum action. For example, a slight bend in the tail of a spoon or twist of the hook eye in the nose of a plug can make a noticeable difference in how the lure performs.

Also, when running two or more lures, make sure the offerings are compatible. Lures that run out of harmony with each other are bound to tangle and that means wasted time to straighten out the mess. Testing them first will avoid the problem.

2) Consider different sizes, shapes, and colors of lures. No one has ever figured out with precision what makes a fish strike or snub a lure. There is no doubt, that matching the forage (minnows, crayfish, etc.) in color, shape, action, and size can help trigger those strikes from hungry fish. On the other hand, if fish such as bluegills, small mouth bass or Coho salmon are protecting spawning beds, they may attack whatever is threatening. So, bright colors in lures may out produce bland colors.

3) Vary trolling speeds. Goosing the engine now and then or slowing to a crawl every so often will change the action of the lures and may get fish to strike them.

4) Vary trolling patterns and lead lengths. The amount of line you let out often determines how deep the lure will run and, to some extent, what degree of action it will impart. For starters, consider running lures about ten feet behind downrigger weights. If flat line trolling, put them back about fifty feet, then experiment depending on what the fish do.

Trolling patterns affect lure action too, that is why some anglers like to wheel a lazy S course. On turns, outside lures will speed up momentarily while inside lures hang for a moment or two. Fish may nail lures that change speeds. Also, zigzag patterns allow for more water coverage, plus it keeps lures out of propeller boil, an important consideration for browns and other wary species.

5) Locate fish on a vertical plane. Place lures in areas where fish might be. Skilled fishermen call these areas the "strike zones". They include the edges of the weed beds, structure along bottom, drop-offs, preferred temperature of the target species, and the thermocline. Remember that fish occupy certain areas for certain reasons (sources of food, protective cover, preferred temperatures, etc.).

6) Consider special knots and swivels. A good ball bearing swivel will all but eliminate line twist and will aid in getting maximum performance from a lure. Many anglers add the tiny swivels to split rings already on the lure itself. On the other hand, a swivel may dampen the action of a sensitive lure, such as a Rapala. Some fisherman tie tiny improved cinch or loop knots. Loop knots in particular may enhance up and down and side to side action of lures. Any good fishing manual will explain how to tie these and other knots.

7) Consider releases for flatline trolling. A good tip is to secure a piece of downrigger cable or heavy monofilament to the water ski hook or handle below the transom of most boats. To the other end of the mono or cable, add a pinch-release. After letting out your lure to the desire distance, put the rod in its holder, then bend the tip and secure the fishing line in the release.

8) Add a weed guard. Having trouble with weeds hanging up lures? Consider tying a three-inch piece of monofilament a foot above the lure. Leaves, smaller weeds and other debris may catch here momentarily then fall off to the side of the lure without tangling. Weedless lures are another smart consideration. Downrigger cables are effective weed catchers when trolling for pike, muskies, or bass in weed-infested lakes.

9) Add a stinger hook. When fish short strike, slap at lures without becoming hooked, adding a stinger hook can solve the problem. Simply tie a treble hook to one end of a four inch piece of monofilament and then tie the extra hook to the last gang of hooks on your lure. The stinger hook, which trails the lure, provides extra insurance.

10) Keep hooks sharp. Some of the best fishermen sharpen all hooks after every fish caught. Hooks get dull through both use and misuse, and probably more fish are lost to dull points than anything else.