



## ROD HOLDER & DOWNRIGGER TROLLING SYSTEM



### ROD HOLDERS:

ANGLED FIXED MOUNT	1907000
ADJUSTABLE SINGLE AXIS	1907001
ADJUSTABLE RAIL MOUNT	1907020
ADJUSTABLE CLAMP MOUNT	1907021
ADJUSTABLE DUAL AXIS	1907002
ADJUSTABLE DOWNRIGGER MOUNT (METALLIC)	1907022
ADJUSTABLE DOWNRIGGER MOUNT (BLACK)	1907023

**CAUTION:**  
READ THIS MANUAL CAREFULLY  
BEFORE OPERATING YOUR  
NEW CANNON ACCESSORY.  
RETAIN FOR FUTURE REFERENCE.

*Adjustable Dual Axis Rod Holder Shown*

## Owner's Manual

## Rod Holder Models & Features

### 1907000 Angled – Fixed Mount Rod Holder

The Angled - Fixed Mount Rod Holder is 10 inches in length and has a fixed 60° angle. Adjustments can be made side to side by forty five degrees using the adjustable thumb screws in conjunction with an aluminum track. Clear anodized aluminum is used for strength and corrosion resistance and a UV resistant cap protects the finish of the rod and reel. The Angled Rod Holder is compatible with Cannon track systems.



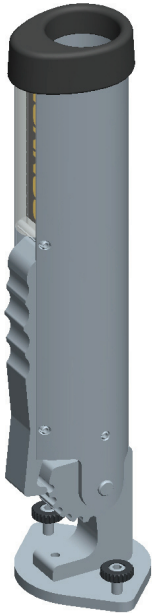
### 1907001 Adjustable – Single Axis Rod Holder

### 1907020 Adjustable – Rail Mount Rod Holder

### 1907021 Adjustable – Clamp Mount Rod Holder

The Adjustable – Single Axis Rod Holder is 10 inches in length and has 6 locking positions up and down. Pistol grip release provides quick one hand up and down angle adjustment while the ratcheting adjustment system allows you to pull the rod holder straight up for rod removal. Adjustments can be made side to side by forty five degrees using the adjustable thumb screws in conjunction with an aluminum track. Clear anodized aluminum is used for strength and corrosion resistance and a UV resistant cap protects the finish of the rod and reel. The Adjustable Rod Holder is compatible with Cannon, Bert's, and Traxstech track systems.

Also available pre assembled to 1 1/4 inch rail mount and Clamp Mount.



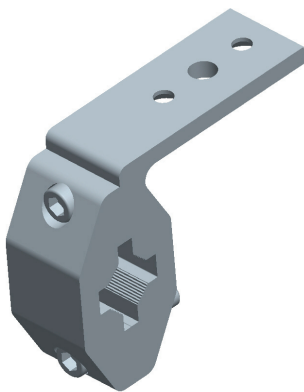
### 1907002 Adjustable – Dual Axis Rod Holder

The Adjustable – Dual Axis Rod Holder is 10 inches in length and has 6 locking positions up and down with 360° rotation. Pistol grip release provides quick one hand up and down angle adjustment with 360° rotation with the push of the release button. Ratcheting adjustment system allows you to pull the rod holder straight up for rod removal. Clear anodized aluminum is used for strength and corrosion resistance and a UV resistant cap protects the finish of the rod and reel. This Adjustable Rod Holder is compatible with Cannon, Bert's, and Traxstech track systems.



**1907022 Adjustable – Downrigger Mount Rod Holder - Metallic**  
**1907023 Adjustable – Downrigger Mount Rod Holder - Black**

The Adjustable – Dual Axis Rod Holder is also available on a Cannon downrigger mount in a metallic or black finish (*metallic finish shown right*).

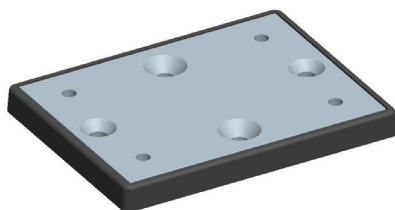
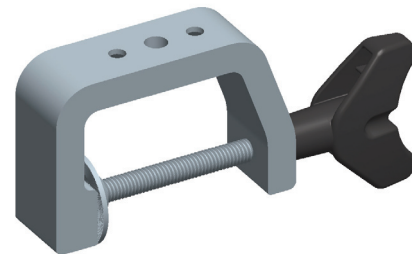


**1904015 Rail Mount 3/4” to 1-1/4”**  
**1904016 Rail Mount 1-1/4” to 2”**

Cannon Rail Mounts allow for the mounting of Cannon Single and Dual Axis Rod Holders to round or square rail. Two sizes are available for round and square tube styles. Components are made from clear anodized aluminum and stainless steel for strength and corrosion resistance.

**1904020 Clamp Mount**

Cannon Rail Mounts allow for the mounting of Cannon single and dual axis rod holders to any transom or allowable clamping edge. Clamp opens to two and a half inches and is made from clear anodized aluminum and stainless steel for strength and corrosion resistance.



**1904000 Deck Mount**

The Cannon Deck Mount plate is a four inch by three inch clear anodized aluminum plate which allows the hard mounting of Cannon Dual Axis Rod Holders. The plate comes with a black protective mounting boot and all mounting hardware.

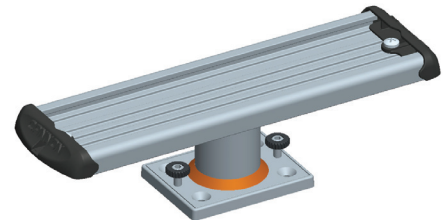
- 1904025 Aluminum Mounting Track 6"**
- 1904026 Aluminum Mounting Track 12"**
- 1904027 Aluminum Mounting Track 18"**
- 1904028 Aluminum Mounting Track 24"**
- 1904029 Aluminum Mounting Track 36"**

Cannon tracks allow for flexible mounting positions and easy removal of Cannon's track system accessories. Locking grooves allow thumb screws to index with track and prevent accessories from twisting. The system is compatible with Cannon, Bert's, and Traxtech track system products. Components are made from clear anodized aluminum and stainless steel for strength and corrosion resistance. All mounting hardware included. Available in 6, 12, 18, 24, and 36 inch lengths.



- 1904005 Pedestal Mount Track 12"**
- 1904006 Pedestal Mount Track 18"**

The pedestal mounting track is three inches high and allows for mounting of Cannon's track system accessories. Pedestal can be surface mounted or slid into mounting track for a variety of mounting positions and easy removal. The system is compatible with Cannon, Bert's, and Traxtech track system products. Components are made from clear anodized aluminum and stainless steel for strength and corrosion resistance. Mounting hardware is included. Pedestal is available in twelve and eighteen inch track lengths for mounting up to three track system rod holders.



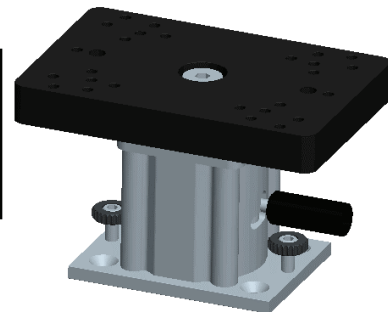
- 1904010 Gimbal Mount Track – Side Gunnel**
- 1904011 Gimbal Mount Track – Stern**

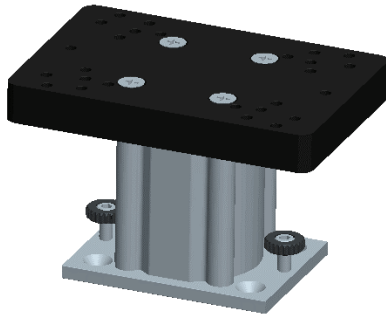
Cannon's Gimbal Mount Track allow for mounting of Cannon's track system accessories in flush mount rod holders. Thirty degree angled gimbals have twelve inch tube length with an outer diameter of 1-1/2 inches. Eighteen inches of track allow for mounting up to three track system rod holders. The system is compatible with Cannon, Bert's, and Traxtech track system products. Components are made from clear anodized aluminum and stainless steel for strength and corrosion resistance.

- 1904030 Fixed Base Downrigger Pedestal 4"**
- 1904031 Fixed Base Downrigger Pedestal 6"**

Cannon's fixed base downrigger pedestals can be surface mounted or track mounted for a variety of mounting positions and easy removal. The 3/4" thick aluminum top plate is pre-drilled and tapped for mounting Cannon downriggers as well as most Scotty®, Big Jon®, Penn®, Vector, Proos, Fishlander and Walker downriggers. Components are made from clear anodized aluminum and stainless steel for strength and corrosion resistance. The fixed base downrigger pedestals are compatible with Cannon, Bert's, and Traxtech track systems. Available in 4" and 6" heights.

**CAUTION:**  
The Cannon Pedestal Mount is intended for use with a Track that is mounted directly to the deck of the boat ONLY.





**1904032 Swivel Base Downrigger Pedestal 4"**  
**1904033 Swivel Base Downrigger Pedestal 6"**

Cannon's swivel base downrigger pedestals can be surface mounted or track mounted for a variety of mounting positions and easy removal. With 16 locking points, these downrigger pedestals allow for 360° downrigger rotation with locking points every 22.5°. The 3/4" thick aluminum top plate is pre-drilled and tapped for mounting Cannon downriggers as well as most Scotty®, Big Jon®, Penn®, Vector, Proos, Fishlander and Walker downriggers. Bearing system ensures smooth swivel action even while a downrigger weight is attached. Components are made from clear anodized aluminum and stainless steel for strength and corrosion resistance. The swivel base downrigger pedestals are compatible with Cannon, Bert's, and Traxstech track systems. Available in 4" and 6" heights.

**Rod Holder \ Accessory Compatibility**

MOUNTS Rod Holder	Track Mount	Gimbal Track Mount	Pedestal Track Mount	Rail Mount	Clamp Mount	Deck Mount
Angle Fixed Mount	●	●	●	○	○	○
Adjustable Single Axis	●	●	●	●*	●*	○
Adjustable Dual Axis	●	●	●	●*	●*	●



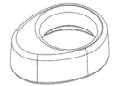

● - Compatible ○ - Not Compatible \* - Compatible with removal of track mount plate

**Pedestal Mount \ Accessory Compatibility**

MOUNTS Pedestal	Track Mount	Gimbal Track Mount	Pedestal Track Mount	Rail Mount	Clamp Mount	Deck Mount
4" Fixed Mount	●	○	○	○	○	●
6" Fixed Mount	●	○	○	○	○	●
4" Swivel Mount	●	○	○	○	○	●
6" Swivel Mount	●	○	○	○	○	●

● - Compatible ○ - Not Compatible

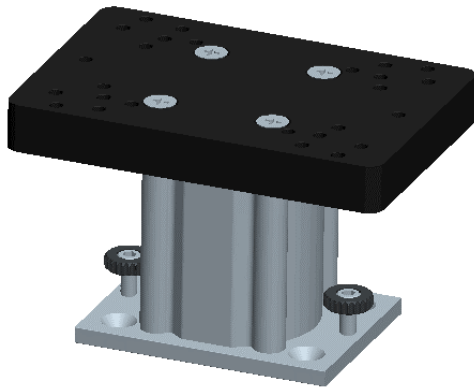
**Replacement Parts**

Part	Part Number	Description	USED ON
	3396562	END CAP	1904005, 1904006, 1904010, 1904018, 1904025, 1904026, 1904027, 1904028, 1904029
	3390210	VINYL CAP	1907000
	3393413	THUMB SCREW	1907000, 1907001, 1907002, 1904005, 1904006
	3391515	CAP ROD HOLDER	1907001, 1907002, 1907020, 1907021, 1907022, 1907023
	33986110	WEAR TIP	1907001, 1907002, 1907020, 1907021, 1907022, 1907023

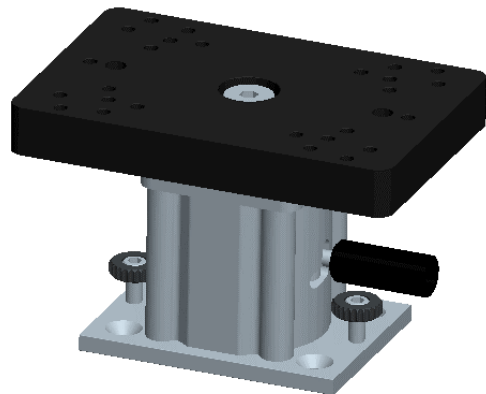


## PEDESTAL MOUNTS

4" FIXED PEDESTAL MOUNT	1904030
6" FIXED PEDESTAL MOUNT	1904031
4" SWIVEL PEDESTAL MOUNT	1904032
6" SWIVEL PEDESTAL MOUNT	1904033



CAUTION:  
READ THIS MANUAL CAREFULLY  
BEFORE OPERATING YOUR  
NEW CANNON ACCESSORY.  
RETAIN FOR FUTURE REFERENCE.



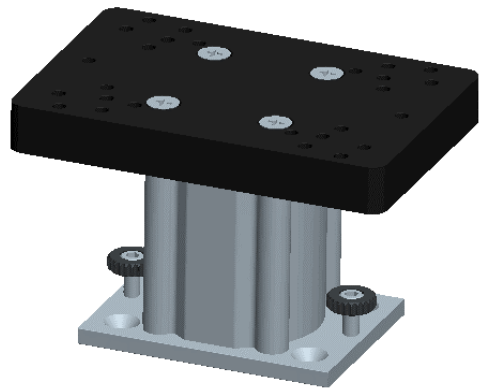
### Owner's Manual

## Pedestal Mount Models & Features

### 1904030 Fixed Base Downrigger Pedestal 4"

### 1904031 Fixed Base Downrigger Pedestal 6"

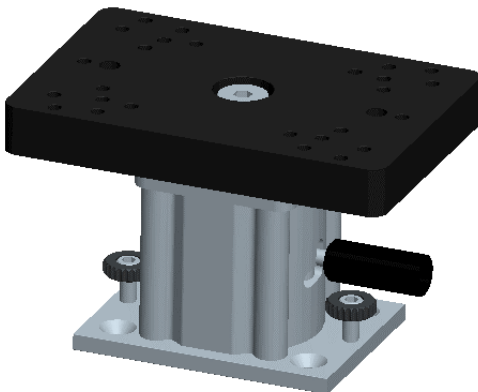
Cannon's fixed base downrigger pedestals can be surface mounted or track mounted for a variety of mounting positions and easy removal. The 3/4" thick aluminum top plate is pre-drilled and tapped for mounting Cannon downriggers as well as most Scotty®, Big Jon®, Penn®, Vector, Proos, Fishlander and Walker downriggers. Components are made from clear anodized aluminum and stainless steel for strength and corrosion resistance. The fixed base downrigger pedestals are compatible with Cannon, Bert's, and Traxstech track systems. Available in 4" and 6" heights.



### 1904032 Swivel Base Downrigger Pedestal 4"

### 1904033 Swivel Base Downrigger Pedestal 6"

Cannon's swivel base downrigger pedestals can be surface mounted or track mounted for a variety of mounting positions and easy removal. With 16 locking points, these downrigger pedestals allow for 360° downrigger rotation with locking points every 22.5°. The 3/4" thick aluminum top plate is pre-drilled and tapped for mounting Cannon downriggers as well as most Scotty®, Big Jon®, Penn®, Vector, Proos, Fishlander and Walker downriggers. Bearing system ensures smooth swivel action even while a downrigger weight is attached. Components are made from clear anodized aluminum and stainless steel for strength and corrosion resistance. The swivel base downrigger pedestals are compatible with Cannon, Bert's, and Traxstech track systems. Available in 4" and 6" heights.



## How to use the Swivel Pedestal

Cannon's swivel base downrigger pedestals allow you to rotate the mounting plate for optimal positioning. To rotate the mounting plate, disengage the lock pin by pulling the lock pin handle down. Turn the plate to the desired angle and release the spring loaded lock pin making sure that it reengages. Check to make sure the swivel is in a fixed position.

### Swivel Base Break Away Reset

The Cannon Swivel bases feature a unique break away system which allows the top plate to rotate while in the locked position. The break away feature will help prevent damage to the downrigger and boat in the event that the downrigger boom or ball would strike an object. If this should occur, the mounting plate of the swivel pedestal will turn, giving way to the unexpected load. The mounting plate can be reset back to any position by following these steps:

- 1) Locate the 3/8" bolts on the bottom of the top plate (See Figure 1).
- 2) With the pedestal locked in any position, loosen the bolts
- 3) Rotate the mounting plate back to the desired position.
- 4) Tighten the 3/8" bolts to 25 ft-lb.

**Note: The downrigger weight must be stowed before resetting the swivel pedestal mount.**

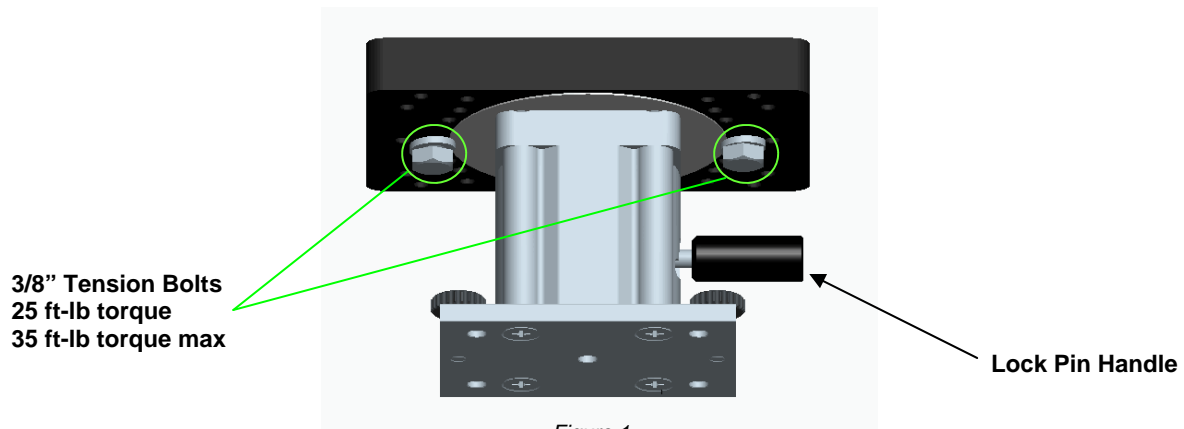


Figure 1



## Mounting the Pedestal to Your Boat

### *Mounting Directly to Deck or Gunnel*

Carefully choose an ideal position where you may best utilize your pedestal mount. Use the base of the pedestal as a template to mark hole locations and drill four 9/32" diameter through holes. Fix the pedestal to the deck or gunnel using four 1/4"-20 flat head screws with four flat washers, lock washers, and nuts (*not included*). To determine the length of screw needed, measure the thickness of deck that you are mounting to and add at least 3/4".

### *Mounting to Cannon Track Mount*

For versatility and lightening quick mounting, the Cannon Mounting Track system is ideal for utilizing your pedestal mount on your boat. Slide the base of the pedestal into the track and tighten the thumb screws to fix the pedestal in position. You may use a 3/16" Allen wrench for additional tightening.

*Note: For the Swivel Pedestal Mount, rotate the release handle to access the top of the thumb screw with the Allen wrench.*

**CAUTION:**  
The Cannon Pedestal Mount is intended for use with a Track that is mounted directly to the deck of the boat ONLY.

- 1904025 Aluminum Mounting Track 6"**
- 1904026 Aluminum Mounting Track 12"**
- 1904027 Aluminum Mounting Track 18"**
- 1904028 Aluminum Mounting Track 24"**
- 1904029 Aluminum Mounting Track 36"**

Cannon tracks allow for flexible mounting positions and easy removal of Cannon's track system accessories. Locking grooves allow thumb screws to index with track and prevent accessories from twisting. The system is compatible with Cannon, Bert's, and Traxtech track system products. Components are made from clear anodized aluminum and stainless steel for strength and corrosion resistance. All mounting hardware included. Available in 6, 12, 18, 24, and 36 inch lengths.



### *Mounting to Cannon Deck Mount*

The Cannon Deck Mount works great for adding stability and easy removal of your pedestal mount. With your Cannon Deck Mount installed on your boat, attach your pedestal mount by removing the thumb screws and fastening the pedestal base to the plate with four 1/4"-20 x 3/8" long flat head screws.

#### **1904000 Deck Mount**

The Cannon Deck Mount plate is a four inch by three inch clear anodized aluminum plate which allows the hard mounting of Cannon Dual Axis Rod Holders. The plate comes with a black protective mounting boot and all mounting hardware.



## Mounting Your Downrigger to the Pedestal Mount

The Cannon Pedestal Mount provides 1/4"-20 tapped mounting holes for attaching most downrigger mounting bases. To attach a mounting base you will need four 1/4"-20 screws (**not included**). To determine the length of screws needed, measure the thickness of the downrigger mounting base and add 1/2". See below for screw lengths for the Cannon Downrigger mounting bases.

**Magnum / Digi-Troll Tall Mounting Base — 2" Long Truss Head screw**  
**Uni-Troll Low-profile Mounting Base — 1" Long Truss Head screw**  
**Easi-Troll / Lake-Troll Tab-Lock Base — 3/4" Long Truss Head screw**

## Pedestal Mount \ Accessory Compatibility

Pedestal \ Mounts	Track Mount	Gimbal Track Mount	Pedestal Track Mount	Rail Mount	Clamp Mount	Deck Mount
4" Fixed Mount	●	○	○	○	○	●
6" Fixed Mount	●	○	○	○	○	●
4" Swivel Mount	●	○	○	○	○	●
6" Swivel Mount	●	○	○	○	○	●

● - Compatible ○ - Not Compatible

## Troubleshooting - Swivel Pedestal

**Problem:** Pedestal will not rotate when the lock pin is disengaged.

Make sure the downrigger line is all the way up. Any load on the downrigger or pedestal may prevent the pin from disengaging. Spray a lubricant into the slot which the lock pin slides. Make sure lock pin moves freely up / down.

**Problem:** Pedestal rotates while in locked position under normal use.


The break away bolts are not tight enough. Re-torque bolts to 25 ft-lb.

NOTE: Bolts may have to be tightened higher than 25 ft. lbs under some conditions. Do not exceed 35 ft-lb as this may damage the top plate.

**Problem:** Pedestal did not breakaway while locked when the boom struck an object.

The break away bolts are over-tightened. Loosen bolts and re-torque to 25 ft. lbs.

## Replacement Parts

Part	Part Number	Description	USED ON
	3393413	THUMB SCREW	1904030, 1904031, 1904032, 1904033

## CANNON® LIMITED WARRANTY

Johnson Outdoors Inc. warrants to the original purchaser that the accompanying product (see exclusions below) is free from defects in material or workmanship for a period from the date of purchase. Within the warranty period, Johnson Outdoors Inc. will, at its option, either repair or replace same without charge (but no cash refunds will be made). The unit must be returned, prepaid and with proof of the date of purchase to the following:

- Johnson Outdoors, Inc Cannon Division.

This limited warranty may be enforced only by the original purchaser; all subsequent purchasers acquire the product "as is" without any benefit of this limited warranty. Repair or replacement of the product as set forth in this limited warranty shall be the original purchaser's sole and exclusive remedy and Johnson Outdoors Inc.'s sole and exclusive liability for breach of this warranty.

### EXCLUSIONS

This warranty does not apply in the following circumstances:

- When the product has been connected, installed, combined, altered, adjusted, serviced, repaired, or handled in a manner other than according to the instructions furnished with the product
- When a serial number has been defaced, altered, or removed
- When any defect, problem, loss, or damage has resulted from any accident, misuse, negligence, carelessness, or abnormal use, or from any failure to provide reasonable and necessary maintenance in accordance with the instructions of the owner's manual

### LIMITATION AND EXCLUSION OF IMPLIED WARRANTIES AND CERTAIN DAMAGES

THERE ARE NO EXPRESS WARRANTIES OTHER THAN THESE LIMITED WARRANTIES. JOHNSON OUTDOORS INC. DISCLAIMS LIABILITY FOR INCIDENTAL AND CONSEQUENTIAL DAMAGES, AND IN NO EVENT SHALL ANY IMPLIED WARRANTIES, INCLUDING ANY IMPLIED WARRANTY OF MERCHANTABILITY OR FITNESS FOR PARTICULAR PURPOSE, EXTEND BEYOND ONE YEAR FROM THE DATE OF PURCHASE. THIS WRITING CONSTITUTES THE ENTIRE AGREEMENT OF THE PARTIES WITH RESPECT TO THE SUBJECT MATTER HEREOF; NO WAIVER OR AMENDMENT SHALL BE VALID UNLESS IN WRITING SIGNED BY JOHNSON OUTDOORS INC.

Some states do not allow limitations on how long an implied warranty lasts or the exclusion or limitation of consequential damages, so the above limitation or exclusion may not apply to you. This warranty gives you specific legal rights, and you may also have other rights that vary from state to state.



**WARNING:** This product contains chemical(s) known to the state of California to cause cancer and/or reproductive toxicity.

Form No. 3397127 Rev D