



SMITH™

ASSEMBLY & MOUNTING INSTRUCTIONS:

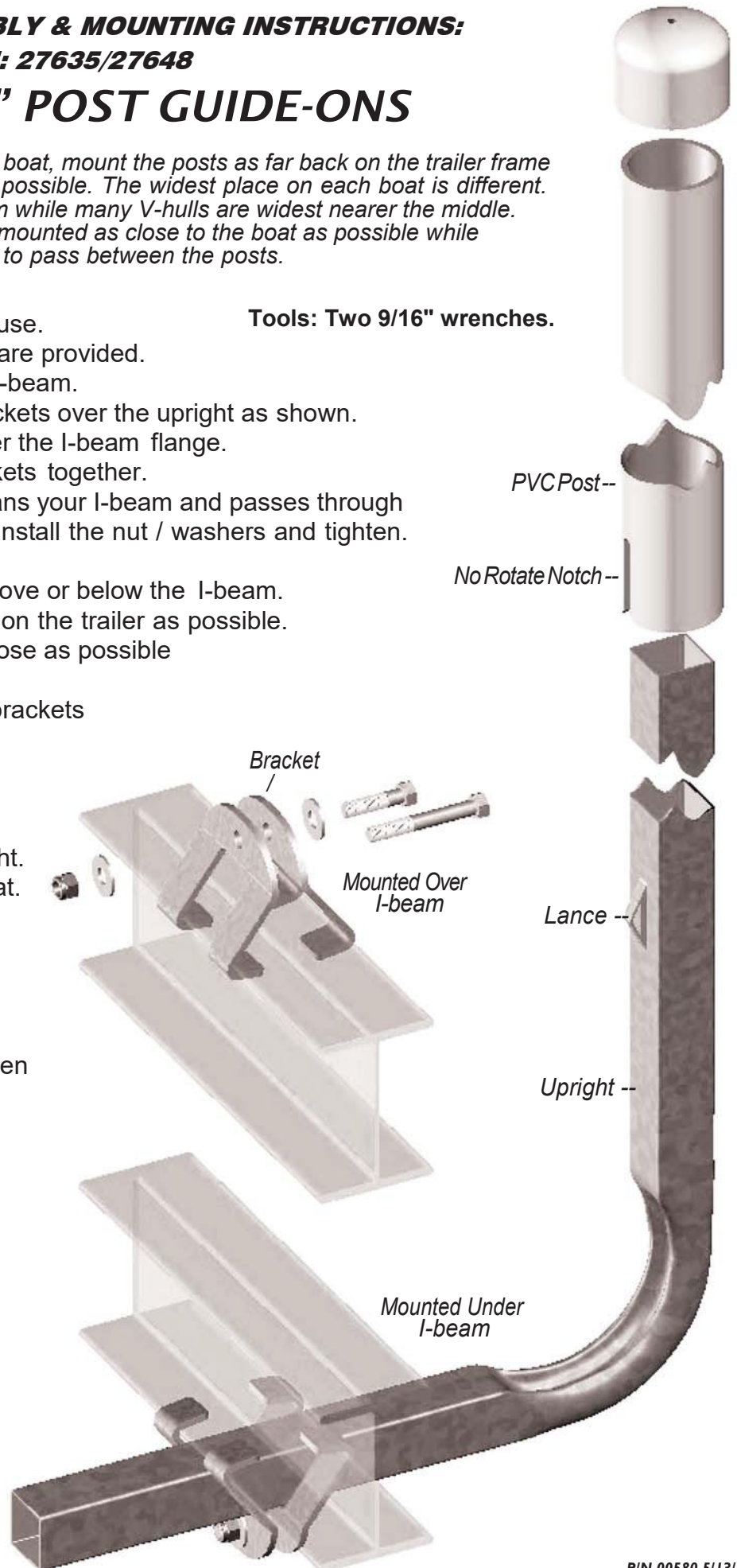
Model: 27635/27648

75" POST GUIDE-ONS

For maximum benefit when loading your boat, mount the posts as far back on the trailer frame as possible and as close to the boat as possible. The widest place on each boat is different. Most Jon boats are widest at the transom while many V-hulls are widest nearer the middle. Post guide-ons are most effective when mounted as close to the boat as possible while still allowing the widest point of the boat to pass between the posts.

- 1- Determine which length bolts to use.
 - Two long and two short bolts are provided.
 - Lay one upright across your I-beam.
 - Straddle a pair of I-beam brackets over the upright as shown.
 - Hook both brackets fully under the I-beam flange.
 - Pinch the top of the two brackets together.
 - Select the bolt length that spans your I-beam and passes through both brackets far enough to install the nut / washers and tighten.
- 2- Choose a mounting location.
 - Brackets may be mounted above or below the I-beam.
 - Its best to mount as far back on the trailer as possible.
 - For more rigidity, mount as close as possible to a frame cross member.
- 3- Loosely assemble uprights and brackets to your trailer frame.
- 4- Slide PVC posts down over the uprights.
 - Engage the no-rotate notch with the lance in the upright.
- 5- Adjust the uprights to fit your boat.
 - Less than 1" of offset from the boat is typical.
- 6- Tighten the bolts.
 - Post spacing will change during tightening.
 - Loosen, re-adjust and re-tighten as needed.
- 7- Push caps down firmly onto your guide-on posts.

Tools: Two 9/16" wrenches.



27635 75" guide-on parts list:

2- 62-1/2" PVC post	11341
2- 40"x23" upright	27605PG
4- bracket	27681G
2- Post cap	11331D
2- Bolt 3/8" x 1-1/2"	11023
2- Bolt 3/8" x 2-3/4"	11044
4- Washer	10960
2- Locknut	10810