



**Assembly and Mounting
Instructions
for Pontoon Guides
27670, 27671, 27672**



27670 at the ramp



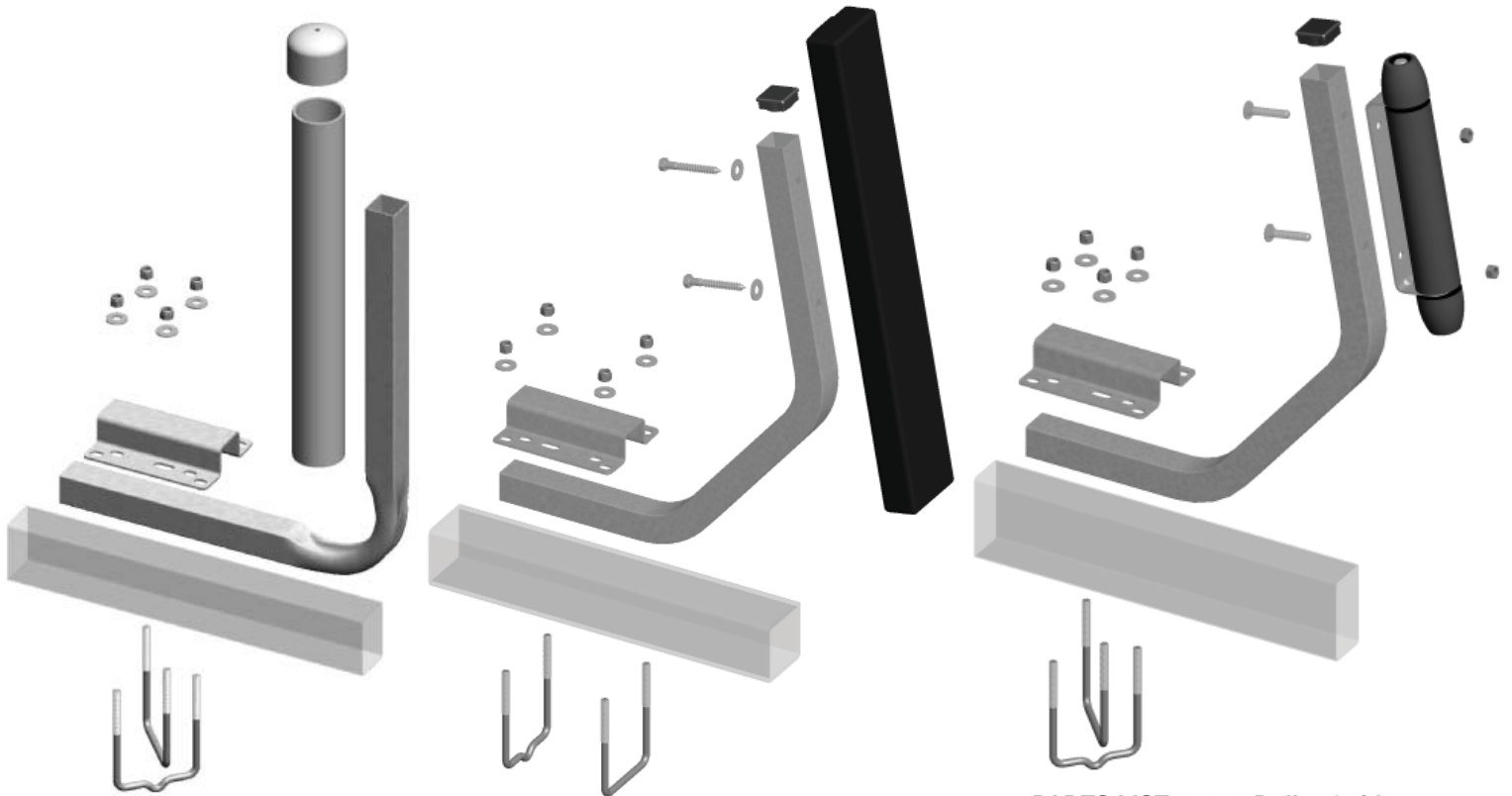
27670 mounted

TOOLS REQUIRED

- 1 9/16" wrench, 1 variable speed drill with 9/16" deep socket driver (optional)

Wind and current can make loading a pontoon boat difficult. Missed approaches result in flared tempers and even boat damage. A pair of SMITH PONTOON GUIDES solves all that. The guides catch the bows immediately and hold the boat over the trailer or boat lift as the captain maneuvers forward for a perfect retrieval every time!

Assemble each style guide as shown below. Choose a mounting location as far back as possible, on a cross member, (see photo) and position each guide no more than 2" from the inside of each pontoon. Model 27671 is height adjustable. Hold it under the boat and mark the bunk where it has the most height possible without hitting the bottom of the deck, then lay the bunks out flat on the ground and use the variable speed drill and 9/16" socket to install the bunk screws.



PARTS LIST: 27670 Post Guides

- 2 uprights 27622PG
- 2 U-brackets 27616PG
- 8 nylon locknuts 10810
- 8 washers 10960
- 2 5" U-bolts 15258
- 2 5" formed U-bolts 15259
- 2 PVC posts 11374
- 2 PVC caps 11331

PARTS LIST: 27671 Bunk Guides

- 2 uprights 27671PG
- 2 U-brackets 27616PG
- 8 nylon locknuts 10810
- 12 washers 10960
- 2 5" U-bolts 15258
- 2 5" formed U-bolts 15259
- 2 carpeted bunks 27831
- 4 wood screws 10942
- 2 upright plugs 11332

PARTS LIST: 27672 Roller Guides

- 2 uprights 27671PG
- 2 U-brackets 27616PG
- 8 nylon locknuts 10810
- 8 washers 10960
- 2 5" U-bolts 15258
- 2 5" formed U-bolts 15259
- 4 carriage bolts 11034
- 4 lock nuts 10830
- 2 roller assemblies 27615
- 2 upright plugs 11332

Learn more about boat trailer parts we have.