

## Installation Instructions

### Lockout Lever Kit for Master Disconnect Switches

Part Numbers: 24505, 24505-02, 24505-03, and 24505-04



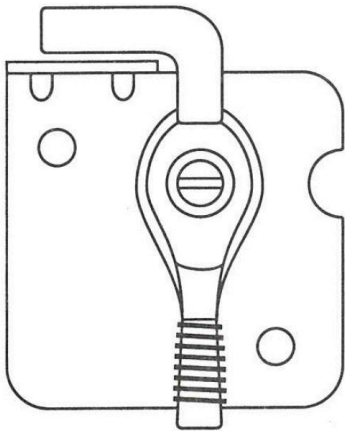
### Description

24505 Lockout Lever Kit, suitable for use with Cole Hersee brand lever actuated metal case master disconnect switches on applications needing a padlock to securely lock a Disconnect Switch in the Off position, which is required by many lock-out/tag-out safety regulations.

For use with Cole Hersee lever actuated master disconnect switches with a 3/4" diameter (19.1mm) mounting stem:  
 2484, 2484-A, 2484-06, 2484-09, 2484-16, 75903, 75904, 75904-01, M-284, M-284-A, M-284-01, M-284-02, M-290, M-290-01, M-290-05.

We recommend the use of a padlock with a 5/16" (7.9mm) diameter shackle.

**Figure 1:** Switch Lever shown in OFF position with bracket

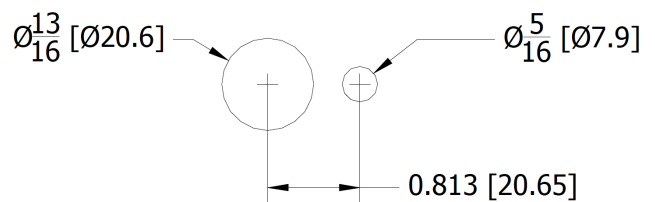
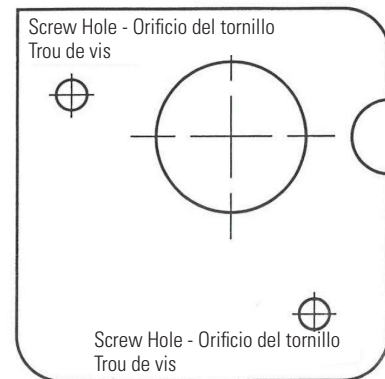


### Installation

Use this kit to secure the switch in the Off position, with a padlock. Such lockout procedures may be required by federal regulations, particularly in situations where moving machinery might be accidentally turned on, causing risk of injury.

1. Turn the existing switch off.
2. Disconnect the switch from the power source.
3. Remove the lever from the switch. Retain the screw and lockwasher.
4. Remove the hex nut and lockwasher from the mounting stem.
5. Push the switch out of the hole.
6. Cut out or trace the template from Figure 2 and place it over the hole.
7. Mark the hole positions for the two screws.
8. Drill two 5/32" holes.
9. Attach the bracket to the panel with the two screws provided.
10. Reposition the switch through the bracket.
11. Finger-tighten the outer hex nut.
12. Install the new handle, using the screw and lockwasher from the original lever.
13. Rotate the switch until the hole at the top of the lever aligns with the hole at the top of the bracket.
14. Tighten the hex nuts to a maximum torque of 20 ft-lbs.

**Figure 2:** Mounting Template



Required for switches with Indexing Pin