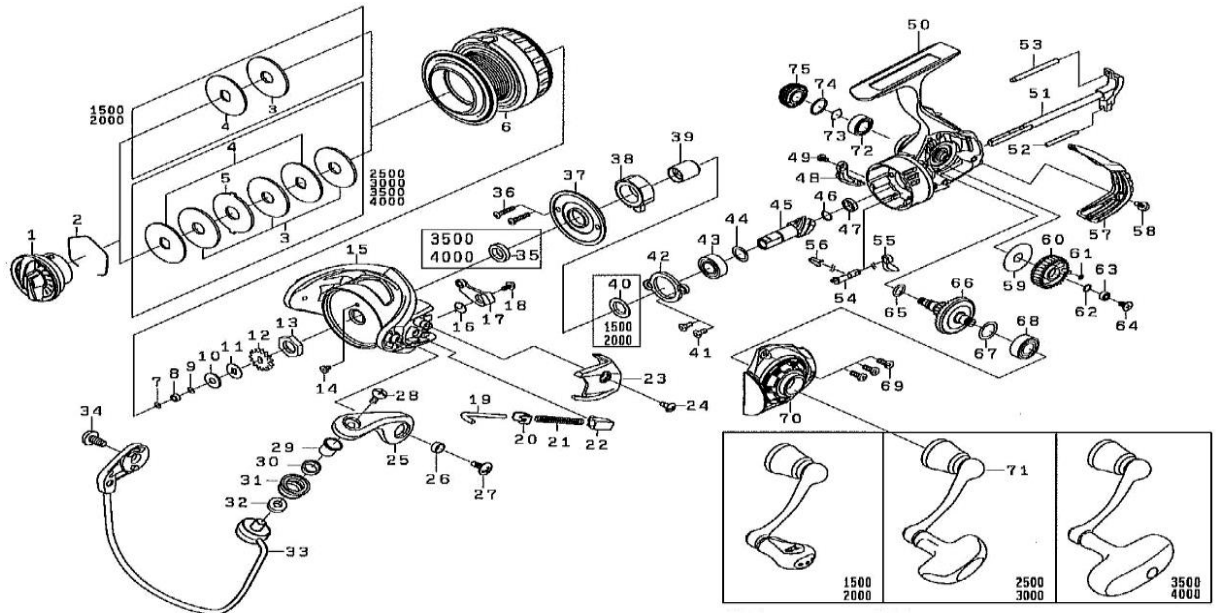


DJAWA

SPINNING REEL

BG1500-4000



Key No.	BG1500 Part No.	Part Name	BG2000 Part No.	BG2500 Part No.	BG3000 Part No.	BG3500 Part No.	BG4000 Part No.
1	J37-5201	DRAG KNOB	J37-5201	J35-6601	J35-6601	J36-2901	J36-2901
2	F37-3301	DRAG WASHER RET	F37-3301	F37-3301	F37-3301	F37-3301	F37-3301
3	J35-6501	DRAG WASHER	J35-6501	J35-6501	J35-6501	J35-6501	J35-6501
4	E46-7201	KEY WASHER	E46-7201	E46-7201	E46-7201	E46-7201	E46-7201
5	--	EARED WASHER	--	373-3606	373-3606	373-3606	373-3606
2~6	J36-4901	SPOOL ASSEMBLY	J36-4301	J35-6101	J36-3901	J36-4601	J36-2601
7	G21-3001	O RING	G21-3001	G21-3001	G21-3001	G21-3001	G21-3001
8	G46-9005	BALL BEARING	G46-9005	G46-9005	G46-9005	G46-9005	G46-9005
9	B41-1706	WASHER	B41-1706	B41-1706	B41-1706	B41-1706	B41-1706
10	E39-8000	WASHER	E39-8000	E39-8000	E39-8000	E39-8000	E39-8000
11	E46-7101	WASHER	E46-7101	E46-7101	E46-7101	E46-7101	E46-7101
12	G83-9301	CLICK GEAR	G83-9301	G83-9301	G83-9301	G83-9301	G83-9301
13	J00-1901	ROTOR NUT	J00-1901	J00-1901	J00-1901	J02-1601	J02-1601
14	H02-2701	SCREW	H02-2701	H02-2701	H02-2701	H02-2701	H02-2701
15	H97-4319	ROTOR	H97-4319	H96-0038	H98-6323	H99-4324	H99-4324
16	H44-3301	BAIL TRIP LEVER SPRING	H44-3301	H41-3601	H41-3601	H41-3601	H41-3601
17	H44-3401	BAIL TRIP LEVER	H44-3401	J03-8501	J07-2301	H99-4401	H99-4401
18	H41-7701	SCREW	H41-7701	H41-7701	H41-7701	H41-7701	H41-7701
19	H44-3601	BAIL SPRING SHAFT	H44-3601	H41-4101	H57-2001	H64-0601	H64-0601
20	H57-6101	BAIL SPRING PLT	H57-6101	H57-6101	H57-6101	H57-6101	H57-6101
21	H44-2401	BAIL SPRING	H44-2401	H54-5701	J08-9301	H64-0701	H64-0701
22	H41-4301	BAIL SPRING HOLDER	H41-4301	H41-4301	J08-9401	J08-9401	J08-9401
23	H97-4402	BAIL SPRING COVER	H97-4402	H96-0203	H98-6402	H99-4602	H99-4602
24	G27-0801	SCREW	G27-0801	G27-0801	G27-0801	G27-0801	G27-0801
25	H72-8912	BAIL ARM	H72-8912	H72-8912	H72-8912	H72-8912	H72-8912
26	H96-2401	COLLAR	H96-2401	H96-2401	H96-2401	H96-2401	H96-2401
27	G20-5001	SCREW	G20-5001	G20-5001	G20-5001	G20-5001	G20-5001
28	G19-5602	SCREW	G19-5601	G19-5602	G19-5602	G19-5602	G19-5602
29	G19-5501	COLLAR	G19-5501	G19-5501	G19-5501	G19-5501	G19-5501
30	G22-0701	COLLAR	G22-0701	G22-0701	G22-0701	G22-0701	G22-0701
31	J08-9902	LINE ROLLER	J08-9902	J08-9902	J08-9902	J08-9902	J08-9902
32	G87-4201	COLLAR	G87-4201	G87-4201	G87-4201	G87-4201	G87-4201
33	H98-4702	BAIL ASSEMBLY	H98-4702	J37-5101	H98-5002	H98-5302	H98-5302
34	G20-5001	SCREW	G20-5001	G20-5001	G20-5001	G20-5001	G20-5001
35	--	COLLAR	--	--	--	H64-0301	H64-0301
36	J00-1601	SCREW	J00-1601	J00-1601	J00-1601	J00-1601	J00-1601
37	J02-2701	COVER	J02-2701	J00-1501	J01-3401	J02-1401	J02-1401
38	H41-2601	ROLLER CLUTCH	H41-2601	H41-2601	H41-2601	J30-9101	J30-9101
39	J00-1402	SPACING SLEEVE	J00-1402	J00-1402	J00-1402	J02-1303	J02-1303
40	375-8501	WASHER	375-8501	--	--	--	--
41	J00-0901	SCREW	J00-0901	J00-0901	J00-0901	J00-0901	J00-0901
42	H44-2201	BEARING RETAINER	H44-2201	H44-2201	H41-1501	J02-0801	J02-0801
43	G46-7302	BALL BEARING	G46-7302	G46-7302	G53-5104	G52-2802	G52-2802
44	375-8500	WASHER	375-8500	375-8500	371-2800	371-2800	371-2800
45+66	Z02-3102	PINION+DRIVE GEAR UNIT	Z02-3102	Z02-3102	Z02-3105	Z02-3097	Z02-3097
46	H93-1701	SPRING WASHER	H93-1701	H93-1701	G57-2501	G57-2501	G57-2501
47	H95-9601	BALL BEARING	H95-9601	H95-9601	G46-7102	G46-7102	G46-7102
48	J02-2601	BAIL TRIP PLT	J02-2601	J00-1101	J00-1101	J02-1001	J02-1001
49	G94-0402	SCREW	G94-0402	G94-0402	G94-0402	G94-0402	G94-0402
50	J35-4901	BODY	J35-4901	J35-4901	J36-3001	J36-1401	J36-1401
51	J02-2402	MAIN SHAFT	J02-2402	J00-0702	J01-2802	J02-0602	J02-0602
52	J08-4801	STABILIZER BAR	J08-4801	J08-4801	J08-4802	J08-4803	J08-4803
53	H61-4301	STABILIZER BAR	H61-4301	H61-4301	H61-4301	H61-4301	H61-4301
54	H59-5501	A/R CAM	H59-5501	H59-5501	H59-5501	J02-0501	J02-0501
55	H59-5401	A/R LEVER	H59-5401	H59-5401	H59-5401	H59-5401	H59-5401
56	H69-7801	A/R CAM SPRING	H69-7801	H69-7801	H69-7801	H69-7801	H69-7801
57	J35-5701	REAR COVER	J35-5701	J35-5701	J36-3701	J36-2101	J36-2101
58	J00-1801	SCREW	J00-1801	J00-1801	J00-1801	J00-1801	J00-1801
59	H59-5701	WASHER	H59-5701	H59-5701	H59-5701	G64-4201	G64-4201
60	H62-9101	OSC GEAR	H62-9101	H59-5801	H61-3901	G64-4302	G64-4302
61	H77-0601	O RING	H77-0601	H77-0601	G46-6001	B85-3101	B85-3101
62	H12-9200	WASHER	H12-9200	H12-9200	H12-9200	G52-2100	G52-2100
63	G46-9005	BALL BEARING	G46-9005	G46-9005	G46-9005	G46-7105	G46-7105
64	G94-0402	SCREW	G94-0402	G94-0402	G94-0402	H27-2202	H27-2202
65	G67-0501	O RING	G67-0501	G67-0501	G67-0501	G64-5301	G64-5301
67	375-8500	WASHER	375-8500	375-8500	375-8500	373-7800	373-7800
68	G46-7302	BALL BEARING	G46-7302	G46-7302	G46-7302	G52-3405	G52-3405
69	G33-2904	SCREW	G33-2904	G33-2904	G33-2904	G33-2904	G33-2904
70	J35-5501	SIDE COVER	J35-5501	J35-5501	J36-3501	J36-1901	J36-1901
71	J44-1201	HANDLE ASSEMBLY	J44-1201	J44-1301	J44-1301	J44-1401	J44-1401
72	G52-2703	BALL BEARING	G52-2703	G52-2703	G52-2703	B86-1704	B86-1704
73	G47-2401	BEARING RETAINER	G47-2401	G47-2401	G47-2401	G52-5101	G52-5101
74	G16-2401	O RING	G16-2401	G16-2401	G16-2401	G67-2401	G67-2401
75	J41-8101	HANDLE SCREW CAP	J41-8101	J41-8101	J41-8101	J39-7803	J39-7803