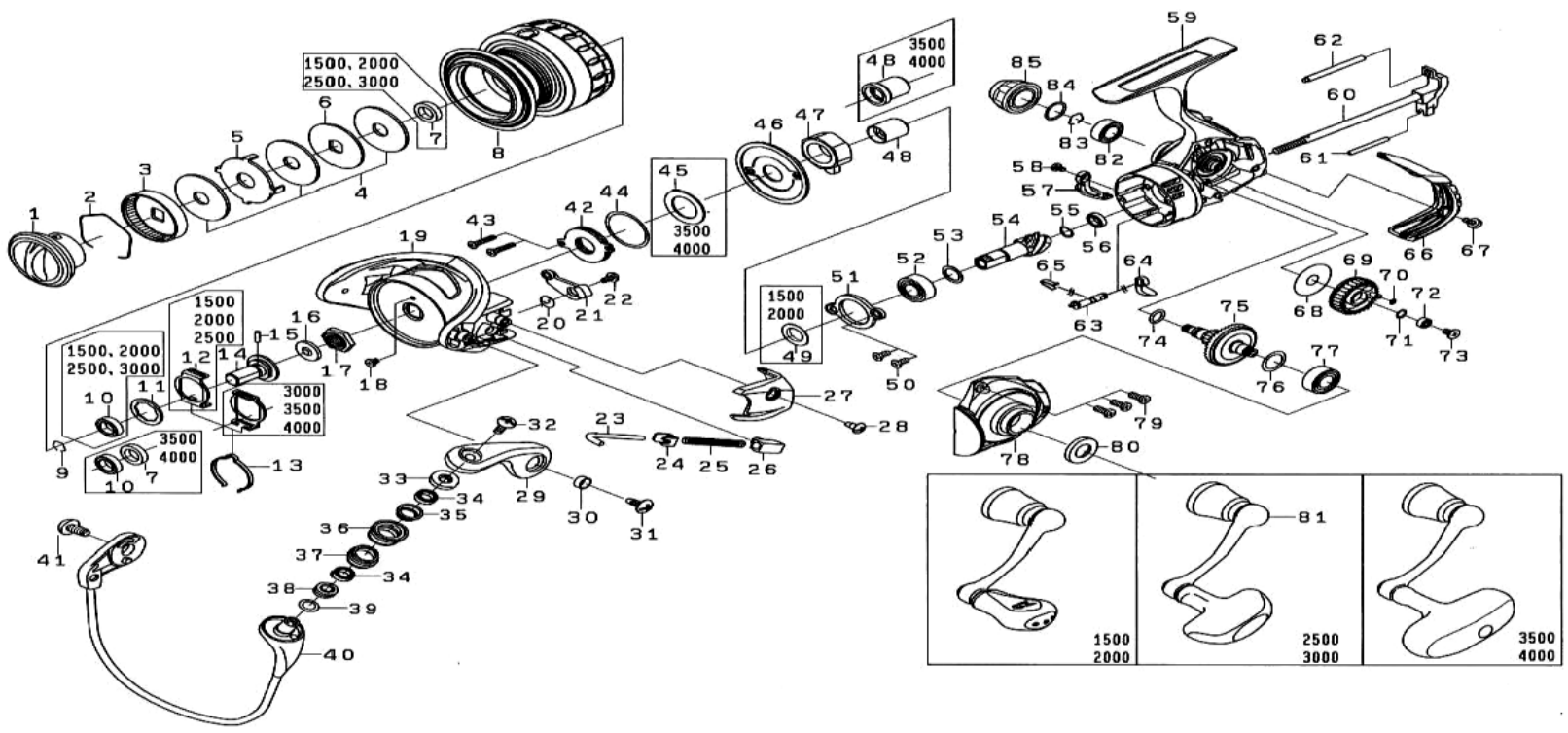


DAIWA

SPINNING REEL



Key No.	Part Name	SALTIST2500 Part No.	SALTIST3000 Part No.	SALTIST4000 Part No.
1	DRAG KNOB	J29-0601	J29-0601	J06-7402
2	DRAG WASHER RET	F71-0001	F71-0001	F71-0001
3	DRAG KNOB CLICK PLT	F89-5301	F89-5301	F89-5302
4	DRAG WASHER	H80-6503	H80-6703	J23-0103
5	EARED WASHER	F63-5201	F62-7301	F62-7301
6	KEY WASHER	F63-5101	F62-7201	H71-4001
7	COLLAR	H62-4801	H62-4801	G74-7401
2~8	SPOOL ASSEMBLY	J41-8801	J41-9601	J42-0501
9	BEARING RET	G47-2401	G47-2401	G52-5101
10	BALL BEARING	G81-8902	G81-8902	G43-1006
11	WASHER	H80-6301	H80-6301	G90-3901
12	CLICK HOLDER	H41-6001	H41-6001	G69-4001
13	CLICK LEAF SPRING	H88-3701	H88-3701	F70-9002
14	SPOOL METAL	H71-7701	H61-5003	H64-1501
15	PIN	G37-5001	G37-5001	G22-4101
16	PACKING	H98-6901	H98-6901	H99-5201
17	ROTOR NUT	H96-1101	H96-1101	H99-5101
18	SCREW	H02-2701	H02-2701	H02-2701
19	ROTOR	H96-0034	H98-6327	H99-4329
20	BAIL TRIP LEVER SPRING	H41-3601	H41-3601	H41-3601
21	BAIL TRIP LEVER	J03-8501	J07-2301	H99-4401
22	SCREW	H41-7701	H41-7701	H41-7701
23	BAIL SPRING SHAFT	H41-4101	H57-2001	H64-0601
24	BAIL SPRING PLT	H57-6101	H57-6101	H57-6101
25	BAIL SPRING	H54-5701	J08-9301	H64-0701
26	BAIL SPRING HOLDER	H41-4301	J08-9401	J08-9401
27	COVER (A)	H96-0201	H98-6401	H99-4601
28	SCREW	G27-0801	G27-0801	G27-0801
29	BAIL ARM	H96-0117	H96-0117	H96-0117
30	COLLAR	H96-2401	H96-2401	H96-2401
31	SCREW	G20-5001	G20-5001	G20-5001
32	SCREW	H69-7701	H69-7701	H69-7701
33	MAGNET COLLAR	H74-4001	H74-4001	H74-4001
34	BALL BEARING	G68-6903	G68-6903	G68-6903
35	COLLAR	H74-3901	H74-3901	H74-3901
36	LINE ROLLER	H74-3801	H74-3801	H74-3801
37	COLLAR	H74-3701	H74-3701	H74-3701
38	MAGNET COLLAR	H74-3401	H74-3401	H74-3401
39	WASHER (0.1MM)	B41-1703	B41-1703	B41-1700
40	BAIL	J21-5101	J41-9401	J42-0101
41	SCREW	G20-5001	G20-5001	G20-5001
42	MAGNET HOLDER	H53-2602	H53-2602	J28-9301
43	SCREW	J00-1601	J00-1601	J00-1601
44	O RING	J21-2501	J21-2501	J21-2901
45	WASHER	--	--	J23-8801
46	SEALED CAP	J10-0301	J10-0301	J10-0501
47	ROLLER CLUTCH	H41-2601	H41-2601	J30-9101
48	SPACING SLEEVE	J00-1402	J00-1402	J39-7301
50	SCREW	J00-0901	J00-0901	J00-0901
51	BEARING RET	H44-2201	H41-1501	J02-0801
52	BALL BEARING	G46-7305	G53-5105	G52-2803
53	WASHER	375-8502	375-8502	371-2800
54+75	PINION+DRIVE GEAR UNIT	Z02-3102	Z02-3105	Z02-3097
55	WASHER	H93-1701	H93-1701	G57-2501
56	BALL BEARING	H95-9602	G46-6205	G46-7104
57	BAIL TRIP PLT	J00-1101	J00-1101	J02-1001
58	SCREW	G94-0402	G94-0402	G94-0402
59	BODY	J41-7201	J41-9001	J41-9801
60	MAIN SHAFT	J14-0701	J14-0801	J14-0901
61	STABILIZER BAR	J08-4801	J08-4802	J08-4803
62	STABILIZER BAR	H61-4301	H61-4301	H61-4301
63	A/R CAM	H59-5501	H59-5501	J02-0501
64	A/R LEVER	H59-5401	H59-5401	H59-5401
65	A/R CAM SPRING	H69-7801	H69-7801	H69-7801
66	REAR COVER	J35-5702	J36-3705	J36-2104
67	SCREW	J00-1801	J00-1801	J00-1801
68	WASHER	H59-5701	H59-5701	G64-4201
69	OSC GEAR	H59-5801	H61-3901	G64-4302
70	O RING	H77-0601	G46-6001	B85-3101
71	WASHER	H12-9201	H12-9201	G52-2100
72	BALL BEARING	G46-9007	G46-9007	G46-7104
73	SCREW	G94-0402	G94-0402	H27-2202
74	O RING	G67-0501	G67-0501	G64-5301
76	WASHER	375-8502	373-8502	373-7800
77	BALL BEARING	G46-7305	G46-7305	G52-3406
78	BODY COVER	J41-7501	J41-9301	J42-0001
79	SCREW	G33-2904	G33-2904	G33-2904
80	PACKING	J13-0201	J13-0201	J39-7201
81	HANDLE ASSEMBLY	J41-8601	J41-8601	J42-0301
82	BALL BEARING	G52-2705	G52-2705	G43-1006
83	BEARING RET	G47-2401	G47-2401	G52-5101
84	O RING	G16-2401	G16-2401	G67-2401
85	HANDLE SCREW CAP	J41-8101	J41-8101	J39-7803