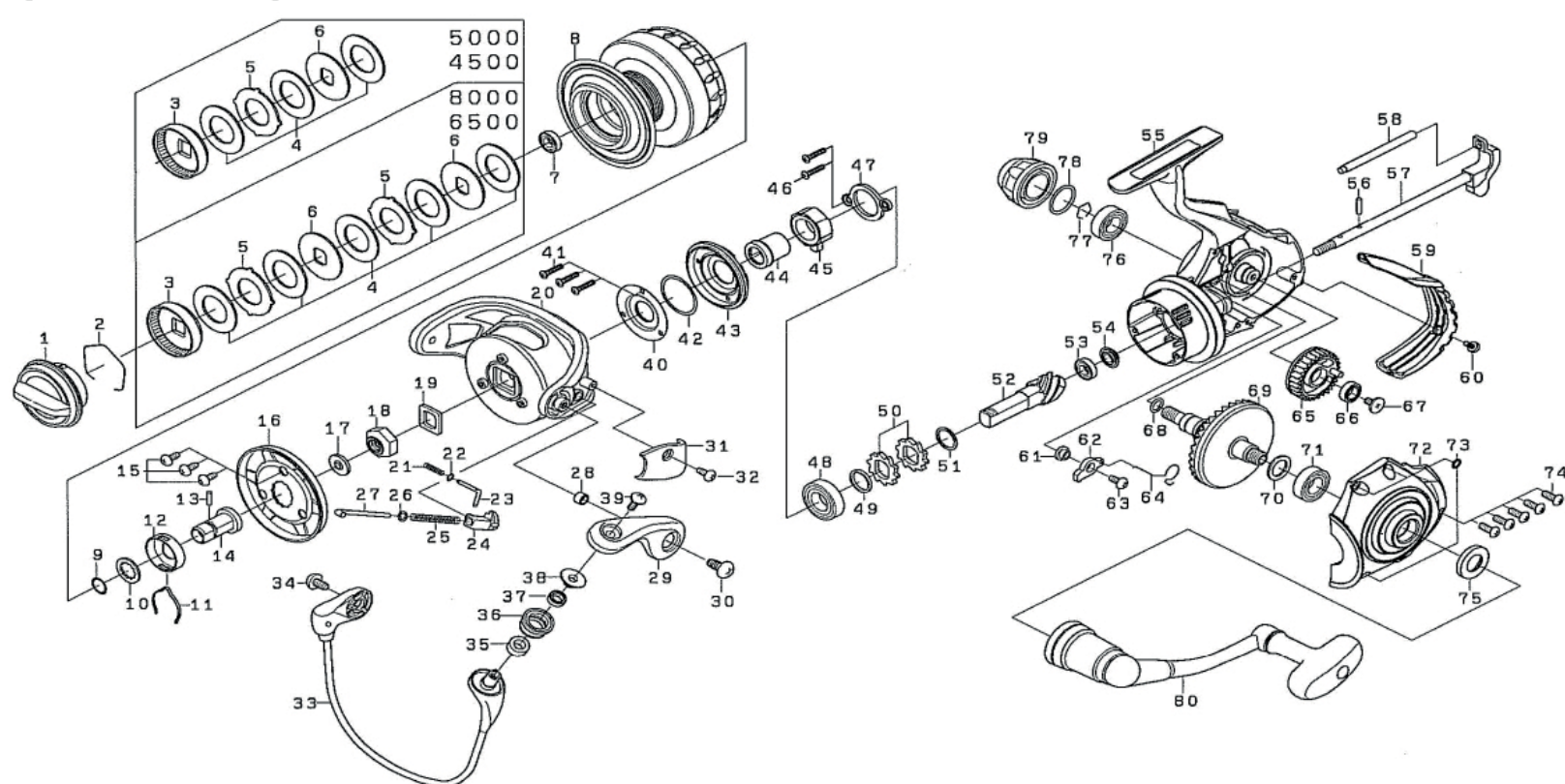


# DAIWA

## SPINNING REEL



Key No.	Part Name	SALTIST 4500 Part No.	SALTIST 5000 Part No.	SALTIST 6500 Part No.	SALTIST 8000 Part No.
1	DRAG KNOB	H36-8601	H36-8601	H37-4601	H37-4601
2	DRAG WASHER RET	F71-0001	F71-0001	F71-0001	F71-0001
3	DRAG KNOB CLICK PLATE	G16-5602	G16-5602	G16-5602	G16-5602
4	DRAG WASHER	H24-7205	H24-7205	H24-7205	H24-7205
5	KEY WASHER	G16-2702	G16-2702	G16-2702	G16-2702
6	EARED WASHER	G16-5902	G16-5902	G16-5902	G16-5902
7	BALL BEARING	E45-3902	E45-3902	G15-6803	G15-6803
2-8	SPOOL ASSEMBLY	J42-2001	J42-1801	J42-3301	J42-3101
9	O-RING	G16-3201	G16-3201	G33-9401	G33-9401
10	SPOOL WASHER	F13-7500	F13-7500	G34-1501	G34-1501
10	WASHER	--	--	G34-1500	G34-1500
11	CLICK LEAF SPRING	B74-7701	B74-7701	G34-1401	G34-1401
12	CLICK LEAF SPRING HOLDER	E12-2301	E12-2301	G34-1301	G34-1301
13	SPOOL METAL PIN	G22-4101	G22-4101	G33-9301	G33-9301
14	SPOOL METAL	G20-3801	G20-3801	H37-8701	H37-8701
15	SCREW	G27-0801	G27-0801	G27-0801	G27-0801
16	LINGE GUAR PLATE	J32-2501	J32-2501	J31-0601	J31-0601
17	PACKING	H99-5201	H99-5201	J42-3001	J42-3001
18	ROTOR NUT	J39-4101	J39-4101	J43-2601	J43-2601
19	ROTOR NUT PLATE	G39-2202	G39-2202	J31-6501	J31-6501
20	ROTOR	J32-1601	J32-1601	J30-9401	J30-9401
21	BAIL SPRING	H50-3401	H50-3401	H78-2801	H78-2801
22	BAIL SPRING WASHER	G68-5401	G68-5401	E27-2501	E27-2501
23	SHAFT	H50-3301	H50-3301	H68-4601	H68-4601
24	BAIL SPRING HOLDER	J32-2001	J32-2001	H68-4701	H68-4701
25	BAIL SPRING	J32-1901	J32-1901	G41-8101	G41-8101
26	WASHER	J32-1801	J32-1801	J30-9601	J30-9601
27	BAIL SPRING SHAFT	J32-1701	J32-1701	J30-9501	J30-9501
28	COLLAR	H94-5501	H94-5501	H94-5501	H94-5501
29	BAIL ARM	J30-9701	J30-9701	J30-9701	J30-9701
30	BAIL ARM SCREW	G45-5601	G45-5601	G45-5601	G45-5601
31	BAIL SPRING COVER	J32-2103	J32-2103	J30-9802	J30-9802
32	SCREW	G27-0801	G27-0801	G27-0801	G27-0801
33	BAIL	J39-3602	J39-3602	J42-3601	J42-3601
34	BAIL ARM SCREW	G45-5601	G45-5601	G45-5601	G45-5601
35	COLLAR	J41-6001	J41-6001	J41-6001	J41-6001
36	LINE ROLLER	J42-1501	J42-1501	J42-1501	J42-1501
37	BALL BEARING (MS)	J01-9302	J01-9302	J01-9302	J01-9302
38	COLLAR	J31-0401	J31-0401	J31-0401	J31-0401
39	SCREW	F60-8901	F60-8901	F60-8901	F60-8901
40	SEALED CAP	J39-3301	J39-3301	J39-3301	J39-3301
41	SCREW	J00-1601	J00-1601	J00-1601	J00-1601
42	O-RING	J21-2901	J21-2901	J21-2901	J21-2901
43	INFINITE COVER	J39-3201	J39-3201	J39-3201	J39-3201
44	SPACING SLEEVE	J39-3001	J39-3001	J39-3001	J39-3001
45	ROLLET CLUTCH	J30-9101	J30-9101	J30-9101	J30-9101
46	SCREW	J00-1602	J00-1602	J00-1601	J00-1601
47	BEARING RETAINER	J30-8401	J30-8401	J30-8401	J30-8401
48	BALL BEARING	G47-2501	G47-2501	G47-2501	G47-2501
49	WASHER	G61-3404	G61-3404	H24-3901	H24-3901
50	A/R RATCHET	E26-2701	E26-2701	E26-2701	E26-2701
51	WASHER	G61-3404	G61-3404	E33-9701	E33-9701
52+69	PINION + DRIVE GEAR UNIT	Z02-3041	Z02-3041	Z02-2625	Z02-2625
53	BALL BEARING	G52-2705	G52-2705	G43-1006	G43-1006
54	COLLAR	J32-0901	J32-0901	J30-8101	J30-8101
55	BODY	J42-0901	J42-0901	J42-2201	J42-2201
56	PIN	G16-2801	G16-2801	G33-8901	G33-8901
57	MAIN SHAFT	J42-1201	J42-1201	J42-2501	J42-2501
58	STABILIZER BAR	J32-0801	J32-0801	J30-8001	J30-8001
59	REAR COVER	J32-1503	J32-1503	J30-8902	J30-8902
60	SCREW	J00-1801	J00-1801	J00-1801	J00-1801
61	COLLAR	H24-3301	H24-3301	H24-3301	H24-3301
62	A/R PAWL	H24-3201	H24-3201	H33-9401	H33-9401
63	SCREW	351-6401	351-6401	351-6401	351-6401
64	SPRING	J30-8601	J30-8601	J30-8601	J30-8601
65	OSC GEAR	J32-0401	J32-0401	J30-7601	J30-7601
66	BALL BEARING	G46-7104	G46-7104	G43-1006	G43-1006
67	SCREW	H27-2201	H27-2201	H34-7101	H34-7101
68	O-RING	J32-1201	J32-1201	J30-8501	J30-8501
70	WASHER	371-2800	371-2800	371-2800	371-2800
71	BALL BEARING	G52-2803	G52-2803	G52-2803	G52-2803
72	BODY COVER	J42-1401	J42-1401	J42-2701	J42-2701
73	WASHER	J42-3501	J42-3501	J42-3501	J42-3501
74	SCREW	351-6416	351-6416	351-6416	351-6416
75	PACKING	J39-6001	J39-6001	J43-2001	J43-2001
76	BALL BEARING	G52-2803	G52-2803	G52-2803	G52-2803
77	RETAINER	H04-7201	H04-7201	H04-7201	H04-7201
78	O-RING	J04-2501	J04-2501	J04-2501	J04-2501
79	HANDLE SCREW CAP	J39-4902	J39-4902	J39-4902	J39-4902
80	HANDLE ASSEMBLY	J42-1601	J42-1601	J42-2801	J42-2801