



BROCHURE

## Lifebuoy Lights L170

Daniamant design and manufacture all of our products in line with the relevant worldwide approvals, technical specifications, current legislation and International directives.

Our mission is to achieve World class performance through partnerships with our suppliers, customers and employees, providing products and services that enhance the safety and security of our customers.

### Daniamant products cover 11 key areas:

- Lifejacket Lights
- Liferaft Lights
- Lifebuoy Lights
- Intrinsically Safe Lights
  - Special Lights
  - LED Flares
- Bridge Navigational Watch Alarm System (BNWAS)
  - Salinometers
  - Oil Level Alarm
- Electronic Inclinator
- Agency for a range of world-renowned safety product brands (supplied to the Danish market)

### SOLAS Approved Lights

The L170 is available in two versions. We offer a commercial version and a version with a unique bracket, specially designed for mounting with leisure Lifebuoys. Both versions are fully SOLAS approved and differ only in the bracket supplied. Both brackets are designed for easy fitment.

### Fit and Forget

Both Lifebuoy Lights offer a five year life. No maintenance or replacement batteries are required. This saves time and expense during inspections.

### Compact size

These Lifebuoy Lights are amongst the smallest and lightest lights available on the market today.

### 76 Metres Drop Height

MED/SOLAS and USCG standards call for the Lifebuoy lights to be dropped from 30 metres. Both these Lifebuoy lights have passed a drop height test from 76 metres high. This makes these new lifebuoy lights suitable for use on any platform or vessel with high bridge wings.

### LED Technology

Both Lifebuoy Lights are using the latest advances in LED technology. They feature very low current consumption and enhanced reliability. Both our Lifebuoy Lights feature a flashing light.

### Low Cost transportation

These new lights are exempt from transport packing, marking and labelling regulations under surface ADR and IMDG Special provision 188, IATA Packing Instruction 970 Section II, making shipping easier, quicker and cheaper.



Commercial



Leisure



## TECHNICAL DATA SHEET

# Lifebuoy Lights L170

Daniamant design and manufacture all of our products in line with the relevant worldwide approvals, technical specifications, current legislation and International directives.

Our mission is to achieve World class performance through partnerships with our suppliers, customers and employees, providing products and services that enhance the safety and security of our customers.

### Daniamant products cover 11 key areas:

- Lifejacket Lights
- Liferaft Lights
- Lifebuoy Lights
- Intrinsically Safe Lights
  - Special Lights
  - LED Flares
- Bridge Navigational Watch Alarm System (BNWAS)
  - Salinometers
  - Oil Level Alarm
  - Electronic Inclinator
- Agency for a range of world-renowned safety product brands (supplied to the Danish market)

MODEL	L170 Commercial	L170 Leisure
Part number	61-001A	61-002A
Colour – Light	Yellow	
Colour – Bracket	Black	
Bracket (as spare part) Part. No.	61-105	61-106
Light – Output	2 Candela minimum	
Light – Duration	2 hours min	
Light – Type	Flashing LED	
Material – Light	Polycarbonate	
Material – Bracket	Polypropylene	
Lanyard	Supplied with a 1.0 m long Lanyard	
Storage Temperature	-30° C to + 65° C	
Operating Temperature	-1° C to + 30° C	
Drop Height	76 metres	
Weight of Light – Nominal	91 grams	
Weight incl. Bracket – Nominal	128 grams	115 grams
Activation	Automatic via activation lead	
Approvals – Classification Societies	SOLAS/MED	
Approvals – Country	See our web site for full list of Country approvals	

## Packing Specification

To minimize shipping costs, all Lifebuoy Lights are packed in boxes 50 off.

### The dimensions are,

#### L170 Commercial:

Box of 50 off: 50 x 40 x 30 cm

#### L170 Leisure:

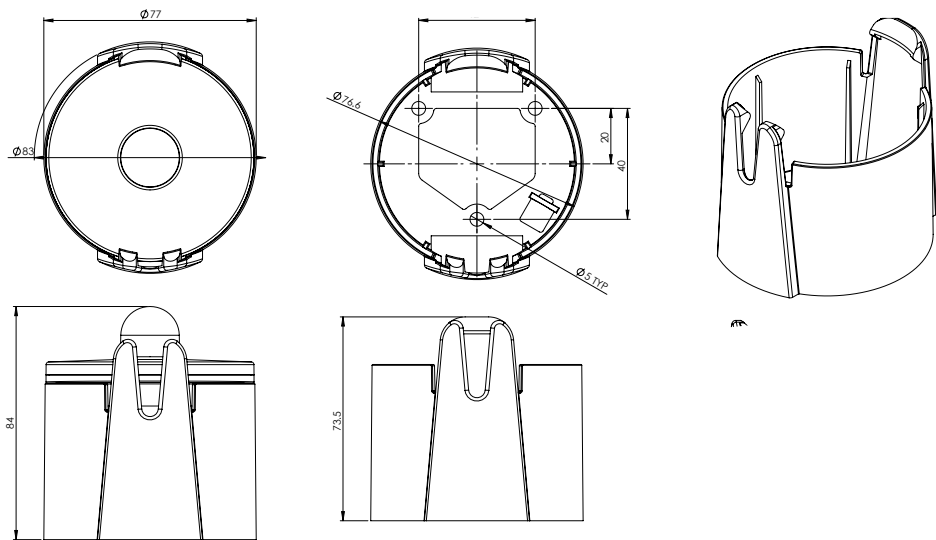
Box of 50 off: 50 x 40 x 30 cm

### Approximate packed weights are,

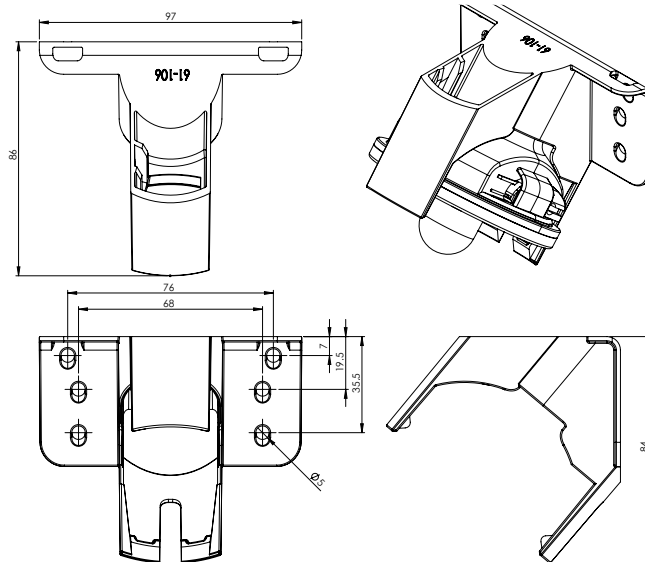
L170 Commercial: 50 off at 8.0 kg.

L170 Leisure: 50 off at 8.0 kg.

L170 Commercial



L170 Leisure



L170 Light only

