



Intrinsically Safe Lifejacket Lights

Daniamant design and manufacture all of our products in line with the relevant worldwide approvals, technical specifications, current legislation and International directives.

Our mission is to achieve World class performance through partnerships with our suppliers, customers and employees, providing products and services that enhance the safety and security of our customers.

Daniamant products cover 11 key areas:

- Lifejacket Lights
- Liferaft Lights
- Lifebuoy Lights
- Intrinsically Safe Lights
 - Special Lights
 - LED Flares
- Bridge Navigational Watch Alarm System (BNWAS)
 - Salinometers
 - Oil Level Alarm
- Electronic Inclinometer
- Agency for a range of world-renowned safety product brands (supplied to the Danish market)

Daniamant remains committed to the cause of increased safety at sea. To this end, we are proud to be the first manufacturer in the World to offer an Intrinsically Safe Lifejacket Light. Already specified by a number of the World's most safety conscious users, the new L6-Ex and L6A-Ex are sure to both increase safety and save lives. These Lifejacket Lights are suitable for use in hazardous zone 0, 1 and 2 and can be used at sea and onshore.

L6-Ex

The L6-Ex is a small, compact and robust flashing Lifejacket light fully meeting the latest stringent IMO SOLAS requirements. The L6-Ex is a manually activated, one piece light. It is operated by a simple pull ring that is easy to use even with gloved hands or in adverse conditions.

L6A-Ex

The L6A-Ex is very similar to the manual L6-Ex, but it is an automatically activated light. It uses a lead to ensure the light comes on in the water and allows the light to be manually switched off if required.

Both types utilise the latest electronic circuitry that ensures the light flashes at between 50–70 times per minute. Both types are supplied with a unique mounting clip to assist easy fixing to lifejackets.



Intrinsically Safe Lifebuoy Lights

L161

The L161 is fully approved to SOLAS/MED standards and also holds ATEX, IECEx and ETL listing under UL913. It is intrinsically safe (category 1) and as such is suitable for use in hazardous zones 0, 1 and 2. The L161 replaces the well-established L40 Lifebuoy Light.

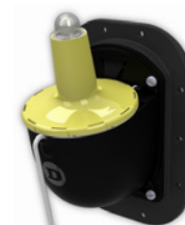


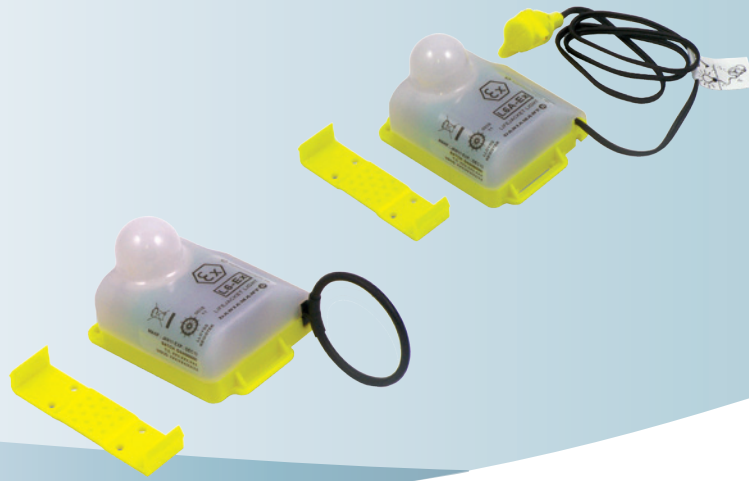
L163

The L163 is fully approved to USCG standard UL1196. In addition, it also holds ATEX, IECEx and ETL listing under UL913 and is approved by SOLAS/MED. It is intrinsically safe (category 1) and as such is suitable for use in hazardous zones 0, 1 and 2. The L163 is the only light to offer all these standards and brings, for the first time, the ability to fit a USCG approved Intrinsically Safe Light to vessels classified under USCG requirements.



An Adapter Plate is available to make the transition from L40 much easier. The Adapter Plate mounts on to the existing L40 mounting holes and allows the new Lifebuoy Light to be easily affixed to the Adapter Plate. Order Part Number 62-070A from your Distributor at the same time as you order your new L161 (SOLAS) or L163 (USCG) Lifebuoy Light.





TECHNICAL DATA SHEET

Intrinsically Safe Lifejacket Lights L6-Ex and L6A-Ex

Daniamant design and manufacture all of our products in line with the relevant worldwide approvals, technical specifications, current legislation and International directives.

Our mission is to achieve World class performance through partnerships with our suppliers, customers and employees, providing products and services that enhance the safety and security of our customers.

Daniamant products cover 11 key areas:

- Lifejacket Lights
- Liferaft Lights
- Lifebuoy Lights
- Intrinsically Safe Lights
 - Special Lights
 - LED Flares
- Bridge Navigational Watch Alarm System (BNWAS)
 - Salinometers
 - Oil Level Alarm
 - Electronic Inclinator
- Agency for a range of world-renowned safety product brands (supplied to the Danish market)

| MODEL | L6-Ex | L6A-Ex |
|--------------------------------------|---|---------|
| Part number | 79-310A | 79-350A |
| Colour | Yellow | |
| Light – Output | Minimum 0.75 cd | |
| Light – Duration | Minimum 8 hours | |
| Light – Type | Flashing | |
| Material | Polycarbonate | |
| Storage Temperature | -30° C to + 65° C | |
| Operating Temperature | -1° C to + 30° C | |
| Storage Life | 5 years | |
| Weight – Nominal | 59 g | 66 g |
| Battery Type | Lithium Manganese Dioxide | |
| Activation | Manual | Water |
| Ex number | Ex ia IIC T3 Gb | |
| Ex Temperature range | -35° C < Ta < +65° C | |
| Use in Zones | 1 & 2 | |
| ATEX category | 2G (Intrinsic safety) | |
| Temperature Class | T3 (Max surface Temp 200° C) | |
| Approvals – Classification Societies | SOLAS/MED/USCG/ATEX/IECEX | |
| Approvals – Country | See our web site for full list of Country approvals | |

Packing Specification

To minimize shipping costs, both Lifejacket Lights are packed and supplied in boxes of 50 off.

The dimensions are:

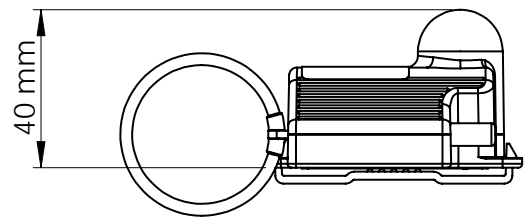
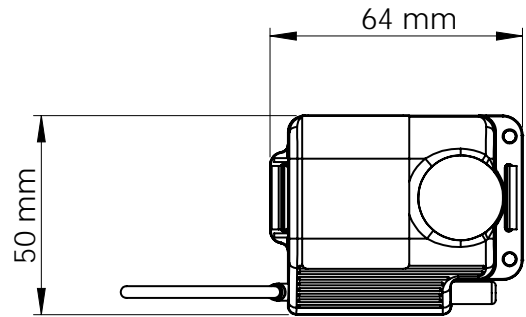
Box of 50 off: 45 x 35 x 15 cm

Approximate packed weights are:

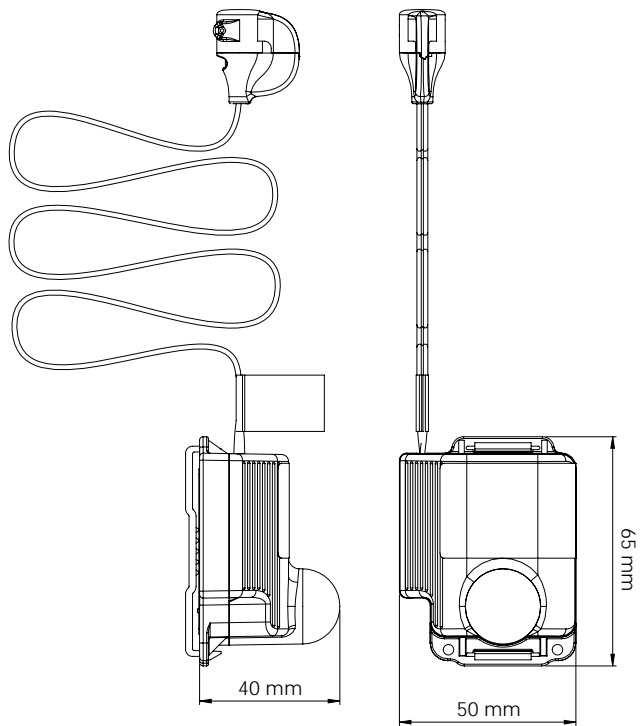
L6-Ex: 50 off at 4,5 kg

L6A-Ex: 50 off at 5,0 kg

TECHNICAL DATA SHEET



L6-Ex



L6A-Ex