



Lifeboat Light SL-400

Introduction

Previously supplied and manufactured by Jotron (Part No. 86240).
Daniamant is proud to present a new external Lifeboat Light to add to its range.

Features

- 10-30v DC external power
- Flange mount
- >4,3 Candela light intensity
- SOLAS approved
- Sealed, small and compact
- Robust
- Flash: 50-70 flash/min

The SL-400 is a high quality external Lifeboat Light designed to build on the very successful Rescue Master range that is still produced today.

It is designed to be fitted on motorised survival craft and to be connected to the craft's 12v electrical system.

The SL-400 Lifeboat Light uses the latest advances in LED technology. It features very low current consumption and enhanced reliability.

The product comes with a standard 3 metres length of cable which can be cut down to suit the craft's requirement. Longer lengths may be available on request.

Installation

Use stainless steel screws, mounting must be on a flat surface to prevent water-ingress. Connect the cable to the external power-supply (10-30v DC), observe correct polarity.

Dimension details can be found on our Technical Data Sheet for more information.

Polar Code

The SL-400 has been tested against the Polar Code to -52 C for use in polar regions.

Daniamant design and manufacture all of our products in line with the relevant worldwide approvals, technical specifications, current legislation and International directives.

Our mission is to achieve World class performance through partnerships with our suppliers, customers and employees, providing products and services that enhance the safety and security of our customers.

Daniamant products cover 11 key areas:

- Lifejacket Lights
- Liferaft Lights
- Lifebuoy Lights
- Intrinsically Safe Lights
 - Special Lights
 - LED Flares
- Bridge Navigational Watch Alarm System (BNWAS)
 - Salinometers
 - Oil Level Alarm
- Electronic Inclinator
- Agency for a range of world-renowned safety product brands (supplied to the Danish market)



TECHNICAL DATA SHEET

Lifeboat Light SL-400

Daniamant design and manufacture all of our products in line with the relevant worldwide approvals, technical specifications, current legislation and International directives.

Our mission is to achieve World class performance through partnerships with our suppliers, customers and employees, providing products and services that enhance the safety and security of our customers.

Daniamant products cover 11 key areas:

- Lifejacket Lights
- Liferaft Lights
- Lifebuoy Lights
- Intrinsically Safe Lights
 - Special Lights
 - LED Flares
- Bridge Navigational Watch Alarm System (BNWAS)
 - Salinometers
 - Oil Level Alarm
 - Electronic Inclinator
- Agency for a range of world-renowned safety product brands (supplied to the Danish market)

| MODEL | SL-400 |
|---|--|
| Part number | 24-001A |
| Plastic Colour | Yellow |
| Light - Output | Minimum 4,3 cd |
| Light - Duration | Minimum 12 hours |
| Light - Type | Flashing |
| Flash | 50-70 flash/min |
| Material | ABS |
| Storage Temperature | -52 C to +65 C |
| Operating Temperature | -52 C to +65 C |
| Storage Life | Requires annual inspection |
| Weight - Nominal | 0,350 kg |
| Power | 10-30v DC |
| Activation | External power |
| Approvals - Classification Societies | In compliance with SOLAS CH III Life-Saving Appliances |

Packing Specification

To minimize shipping costs, all Lifeboat Lights are packed and supplied in boxes of 10 off.

The dimensions are:

Box of 10 off : 535 x 220 x 190 mm

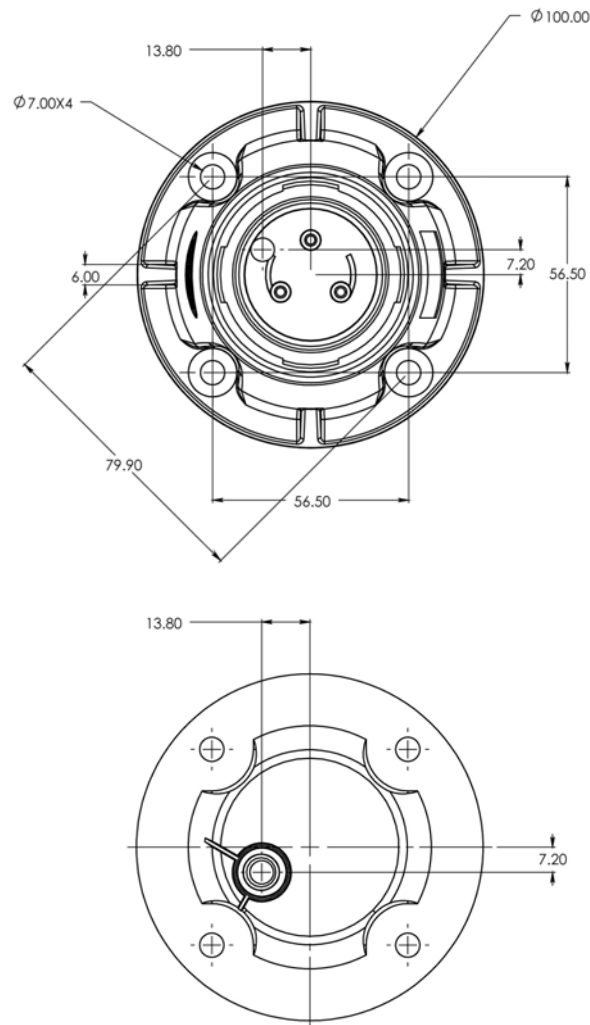
Approximate packed weights are:

Box of 10 off : 5,2 kg

Accessories

Cable length can vary on request, please contact Daniamant for details.

Outline



Installation

Use stainless steel screws, mounting must be on a flat surface to prevent water-ingress. Connect the cable to the external power-supply (10-30 VDC), observe correct polarity.