



Internal Lifeboat Light SL-500

Introduction

Daniamant is proud to present a new internal lifeboat light to accompany the existing SL-400 external lifeboat light. The addition of the SL-500 internal lifeboat light will assist in Customers moving towards a higher quality, longer lasting and more robust technology than the older existing product ranges.

Features

- 10-30v DC external power
- Flange mount with cable entry hole
- >0.5 Candela light intensity (average 5.3 cd)
- SOLAS approved
- Sealed, small and compact
- Robust
- Steady light

The SL-500 is a high quality internal Lifeboat Light designed to build on the very successful SL-400 introduced last year.

It is designed to be fitted on motorised survival craft and to be connected to the craft's 12v electrical system.

The SL-500 Lifeboat Light uses the latest advances in LED technology. It features very low current consumption and enhanced reliability.

The product comes with a standard 3 metres length of cable which can be cut down to suit the craft's requirement. Longer lengths may be available on request.

With the SL-400 and SL-500 you have a full solution for any survival craft.

Installation

Use stainless steel screws, mounting must be on a flat surface. Connect the cable to the external power-supply (10-30v DC), observing the correct polarity.

Dimension details can be found on our Technical Data Sheet for more information.

Polar Code

The SL-500 has been tested against the Polar Code to -52 C for use in polar regions.

Daniamant design and manufacture all of our products in line with the relevant worldwide approvals, technical specifications, current legislation and International directives.

Our mission is to achieve World class performance through partnerships with our suppliers, customers and employees, providing products and services that enhance the safety and security of our customers.

Daniamant products cover 12 key areas:

- Lifejacket Lights
- Liferaft Lights
- Lifebuoy Lights
- Intrinsically Safe Lights
 - Special Lights
 - LED Flares
- Forward Looking Sonars (FLS)
- Bridge Navigational Watch Alarm System (BNWAS)
 - Salinometers
 - Oil Level Alarm
- Electronic Inclinator
- Agency for a range of world-renowned safety product brands (supplied to the Danish market)



TECHNICAL DATA SHEET

Internal Lifeboat Light SL-500

Daniamant design and manufacture all of our products in line with the relevant worldwide approvals, technical specifications, current legislation and International directives.

Our mission is to achieve World class performance through partnerships with our suppliers, customers and employees, providing products and services that enhance the safety and security of our customers.

Daniamant products cover 11 key areas:

- Lifejacket Lights
- Liferaft Lights
- Lifebuoy Lights
- Intrinsically Safe Lights
 - Special Lights
 - LED Flares
- Bridge Navigational Watch Alarm System (BNWAS)
 - Salinometers
 - Oil Level Alarm
- Electronic Inclinator
- Agency for a range of world-renowned safety product brands (supplied to the Danish market)

MODEL	SL-500
Part number	24-501A
Plastic Colour	Yellow
Light - Output	Minimum 0,5cd – average 5,3 cd
Light - Duration	Minimum 12 hours
Light - Type	Steady
Material	ABS
Storage Temperature	-52 C to +65 C
Operating Temperature	-52 C to +65 C
Storage Life	Requires annual inspection
Weight - Nominal	294 g
Power	10-30V DC
Activation	External power
Approvals - Classification Societies	In compliance with SOLAS CH III Life-Saving Appliances

Accessories

Cable length can vary on request, please contact Daniamant for details.

Packing Specification

To minimize shipping costs, all Lifeboat Lights are packed and supplied in boxes of 10 off.

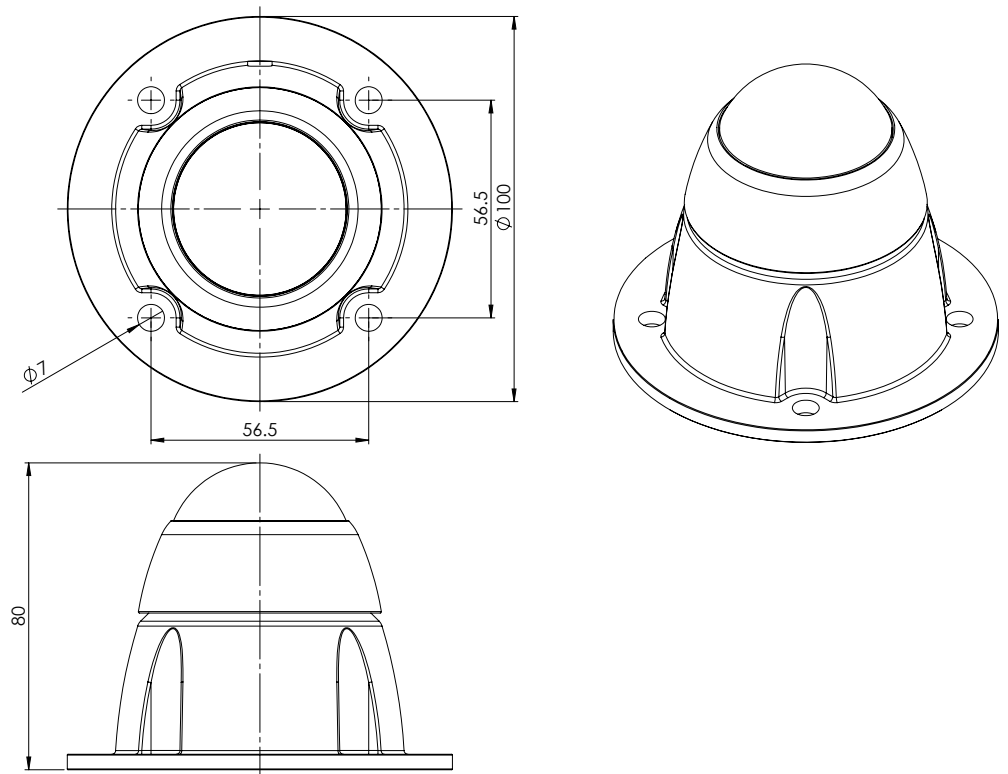
The dimensions are:

Box of 10 off : 58 x 24 x 22 mm

Approximate packed weights are:

Box of 10 off : 5,5 kg

Outline



Installation

Use stainless steel screws, mounting must be on a flat surface.
 Connect the cable to the external power-supply (10-30 VDC), observing the correct polarity.