

Tools Required:

- 7/16" wrenches or sockets
- Phillips screwdriver



CAUTION: Failure to follow proper installation instructions may lead to product failure and personal injury. Ladder must be mounted flush with the dock face board as per illustration. Regularly inspect for wear or damage. Replace as necessary. **DO NOT EXCEED THE LADDERS' MAXIMUM CAPACITY OF 450lb.**

PART LISTING

PART	QTY.	DESCRIPTION
A	2	Upper Hand Rails
B	1	3, 4 or 5 Step Lower Unit
C	12	1/4" Stainless Steel Nylok nuts for rail-to-step, and Quick Release-to-rail assembly
D	12	1/4" x 1-3/8" Stainless Steel Bolts for Quick Release
E	12	5/8" washers for Quick Release Assembly
F	2	Dock Mounting Brackets for Quick Release Assembly
G	2	J Shaped Hooks for Quick Release Assembly

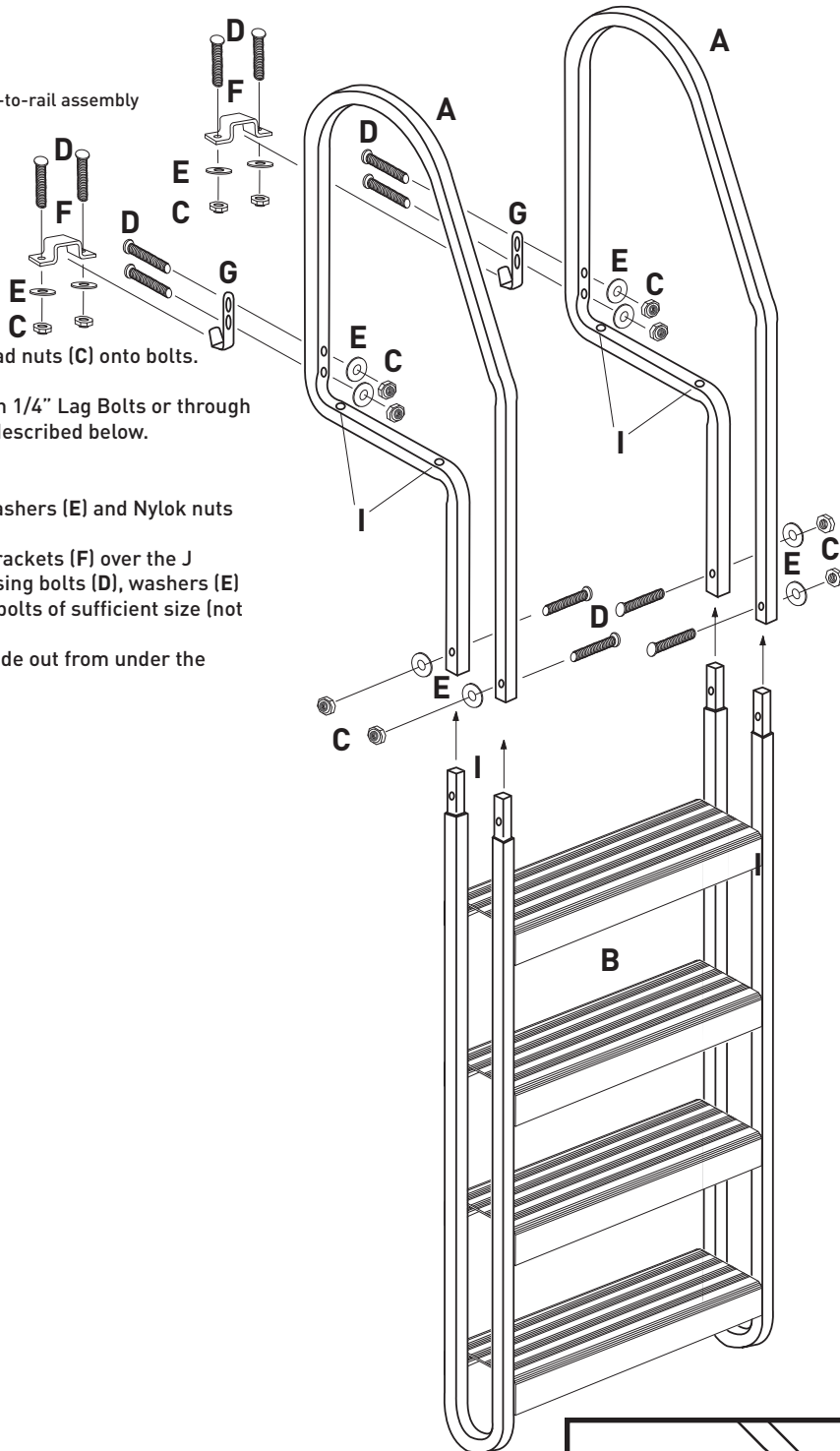
DO NOT DIVE FROM LADDER. DOING SO MAY RESULT IN PROPERTY DAMAGE, PERSONAL INJURY, OR BOTH.

Ladder Assembly:

1. Insert lower unit (B) into upper hand rails (A).
2. Insert bolts (D) through fastening points on both hand rails and thread nuts (C) onto bolts. Tighten securely.
3. Place ladder in desired location on dock and permanently fasten with 1/4" Lag Bolts or through bolts (not supplied) using predrilled holes (I), or use Quick Release described below.

Quick Release (if desired):

1. Attach J Hooks (G) to rear of Upper Hand Rails (A) using bolts (D), washers (E) and Nylok nuts (C). Tighten securely.
2. Place ladder in desired position on dock and place Dock Mounting Brackets (F) over the J Hooks (G) and securely fasten Dock Mounting Brackets (F) to dock using bolts (D), washers (E) and Nylok nuts (C). It may be necessary to use other lag or carriage bolts of sufficient size (not supplied) for your dock.
3. To remove Ladder, simply tilt up out of the water towards you and slide out from under the Dock Mounting Brackets.



Mount Ladder flush with dock face board as shown

Dock Face Board

