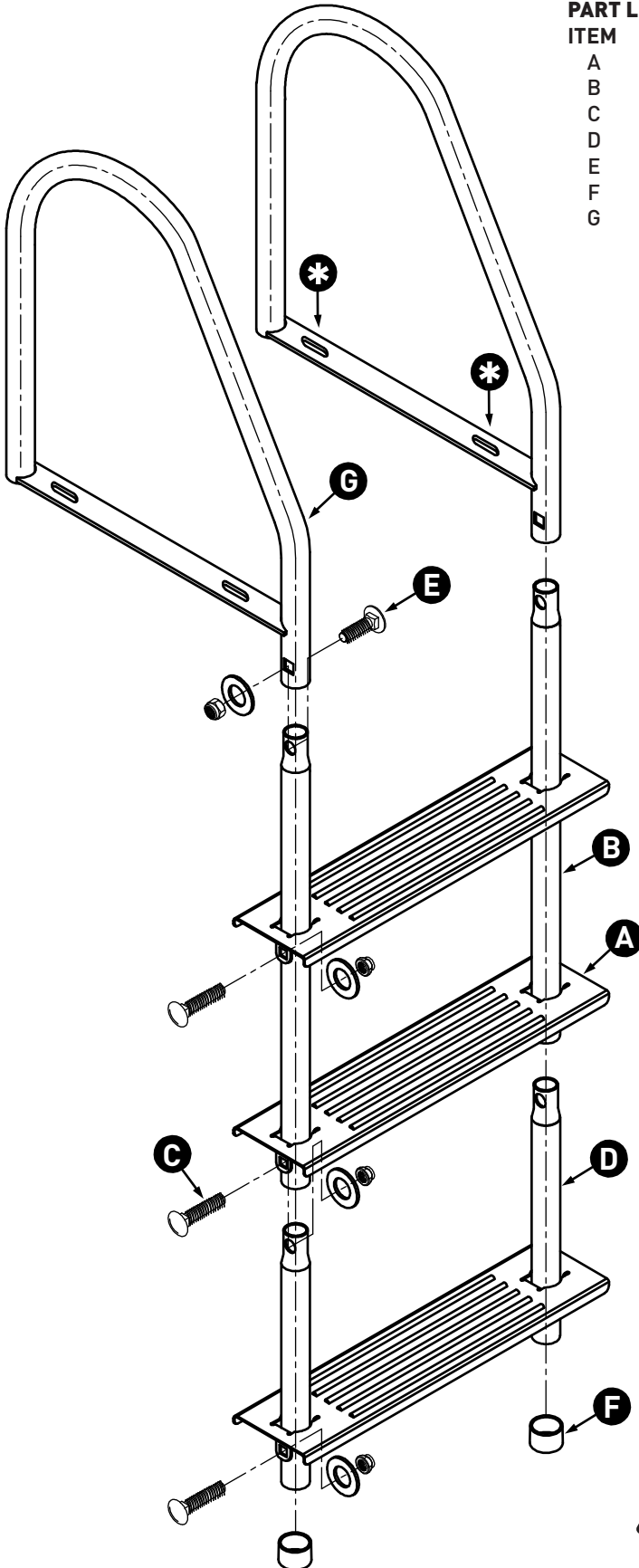


PART LISTING

ITEM	DESCRIPTION	3-STEP	4-STEP	5-STEP
A	STEP	3	4	5
B	TWO STEP EXTENSION TUBE	2	4	4
C	5/16" x 2" BOLT, LOCK NUT & NYLON WASHER	6	8	10
D	ONE STEP EXTENSION TUBE	2	0	2
E	5/16" x 1 3/4" BOLT, LOCK NUT & NYLON WASHER	2	2	2
F	BOTTOM CAP	2	2	2
G	HAND RAIL ASSEMBLY	2	2	2



ASSEMBLY INSTRUCTIONS:

1. Assemble away from water to avoid loss of components.
2. Install Steps (A) to Two Step Extension Tubes (B) and One Step Extension Tubes (C) with 5/16" x 2" BOLTS, LOCK NUT & WASHERS (C) as shown. Install Bottom Caps (F) to bottom of assembly.
3. Install top of step assembly into Hand Rail Assemblies (G) aligning holes and install 5/16" x 1 3/4" BOLTS, LOCK NUT & WASHERS (E).

INSTALLATION TO DOCK:

Note: Fasteners * not included.

To be determined by dock thickness and dock material.

1. Position assembled ladder to desired position on dock.
2. Drill 4 holes for fasteners * (not supplied) thru handrail assemblies and dock.
3. Install 4 fasteners * (not supplied) thru handrail assemblies and dock. Completely tighten all fasteners *.

TO EXPAND YOUR LADDER, EXTENSION KITS ARE AVAILABLE:

ITEM	PAINTED #	STAINLESS STEEL #
1 STEP KIT	2101-F	2201-F
2 STEP KIT	2102-F	2202-F



CAUTION: Failure to follow proper installation instructions voids warranty and may lead to product failure and personal injury. Regularly inspect the ladder and mounting hardware for wear or damage. Replace as necessary. **DO NOT EXCEED THE LADDERS' MAXIMUM CAPACITY OF 400LB. (181KG)**