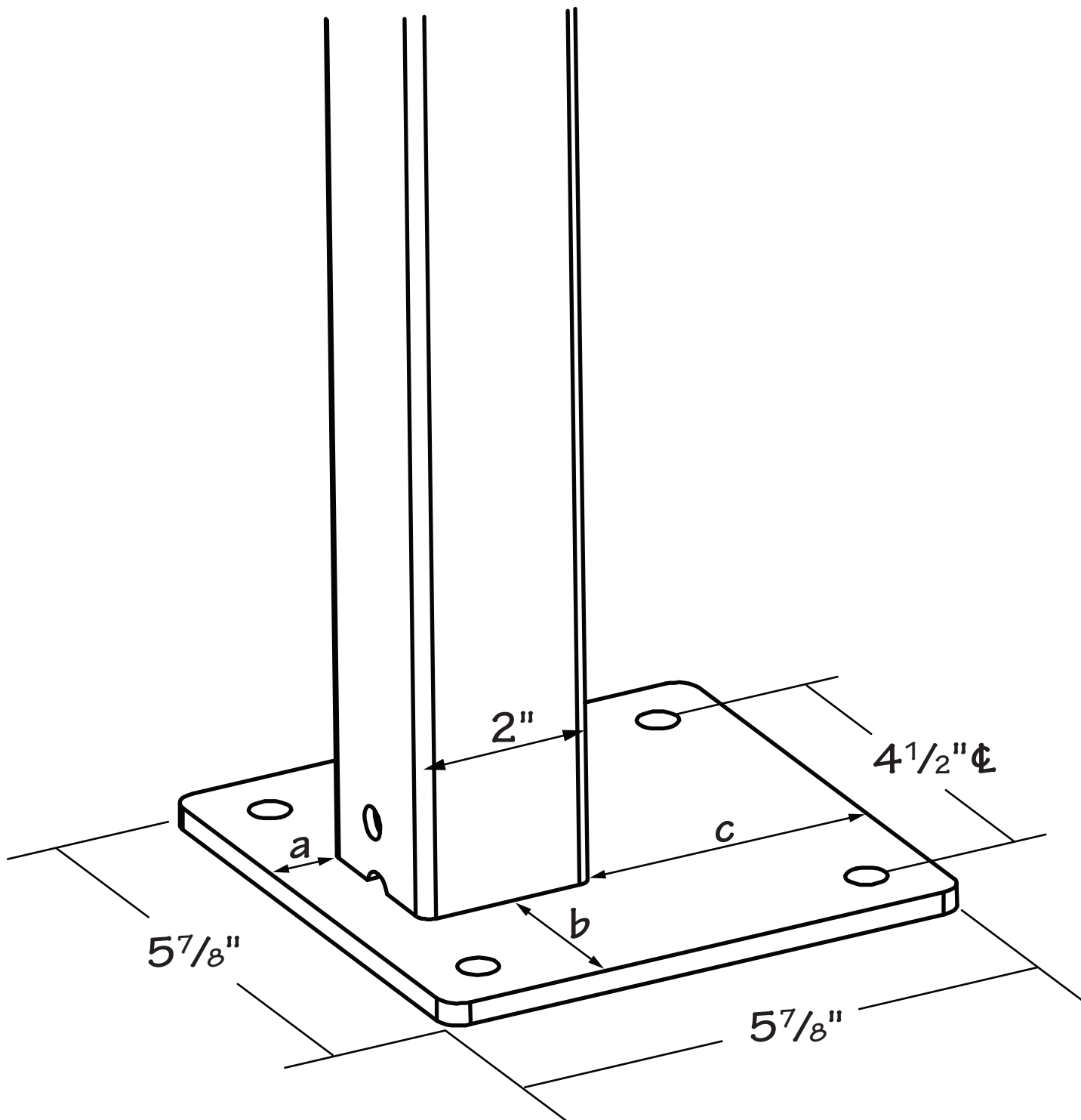


DOCK EDGE ^{4E}®

Wake Watcher Base



$$a = \frac{13}{16}"$$

$$b = 1\frac{15}{16}"$$

$$c = 3\frac{1}{16}"$$