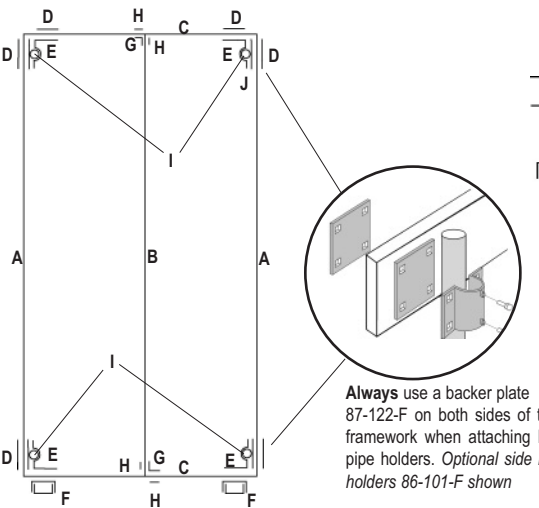


4E^{INC.} STATIONARY DOCK HARDWARE HOW TO GUIDE

USE GREEN LABELLED OR GREEN DOT COMPONENTS FOR STATIONARY DOCK CONSTRUCTION

HOW TO BUILD A 4' x 8' Stationary Dock

1 Assemble main framework
Drill holes for 87-122-F

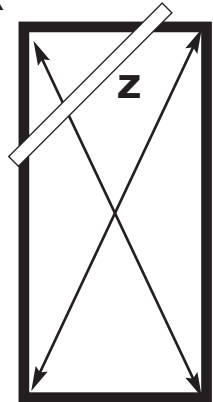


LUMBER	Description	QTY	
A	Main dock frame	2' x 8" x 96"	2
B	Center truss:	2' x 8" x 92 3/8"	1
C	End Cap:	2' x 8" x 69"	2

HARDWARE	Description	QTY	
D	Backer Plate	87-122-F	10
E	Corner Leg Holder	86-100-F	4
F	Hinge Connector*	86-103-F	2
G	Joist Corner	95-122-F	2
I	Washer Plate	99-006-F	4
O	Leg Pipe, 6'8"	93-168-F	4
	Hardware Fastener Kit	85-150-F	5

* Required if affixing dock sections or a ramp together.

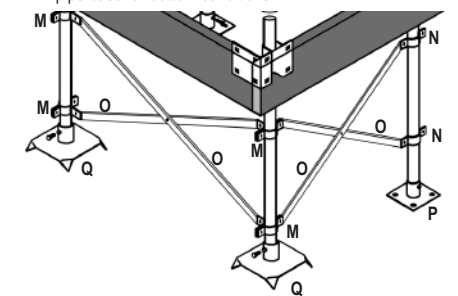
Always use a backer plate 87-122-F on both sides of the framework when attaching leg pipe holders. Optional side leg holders 86-101-F shown



Squaring your Dock Structure

Check the squareness by measuring from corner to corner of the frame in an "X" pattern as shown. The measurement should be +/- 1/4" between each other. Lock the framework into square by temporarily securing a piece of lumber (Z) across one corner as shown above.

2 Reinforcing the leg pipes and choosing a leg pipe base for bottom conditions



Description

Note: Several options and combinations available for stabilizing a stationary dock structure

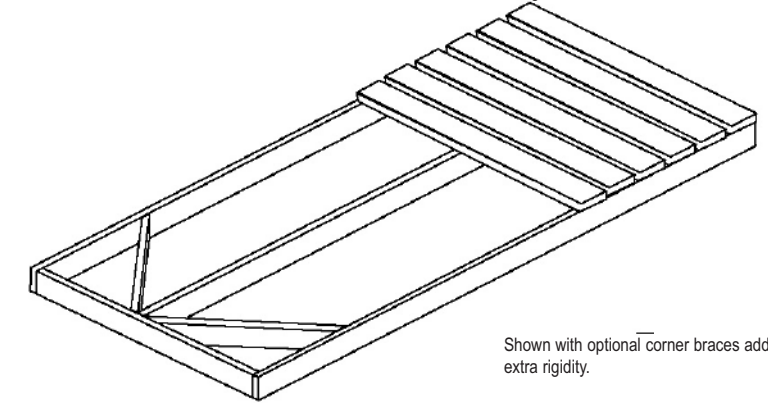
Description	QTY
O - Leg Brace Set	89-101-F 6
M - Corner Leg Brace Holder	87-107-F 4
N - Side Leg Brace holder	93-105-F 4
Q - Bottom Pad	94-102-F 4
or	
P - Base Plate	86-102-F 4

NOTE: consideration should be given to the type of bottom the dock will be resting on. Bottom Pads, 94-102-F are larger than the Base Plate 86-102-F and therefore better for soft or sandy bottoms where the dock structure requires a more stable footing. Alternatively, if necessary, the base plate may be fastened to a concrete slab or footing if for additional stability or in areas of strong currents or wave action.

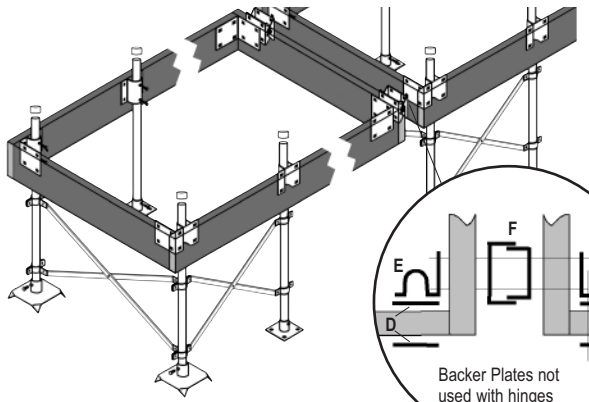
3 Assemble decking and connector hinges. (hinges if attaching to another dock structure or shore ramp)

Description

Description	QTY
- Decking:	2' x 6" x 72" 16
R - Decking Screws:	#10 x 3" 96

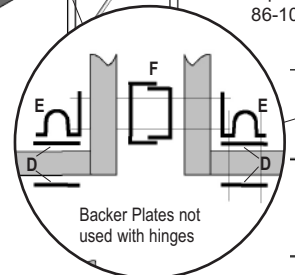


Connecting Dock Sections



When attaching dock sections, leg braces should always be used on the leading edge of each dock section for stability.

Where dock sections are attached, the outer backer plate 87-122-F used for the corner leg holder may simply be replaced by the hinge connector 86-103-F as shown.

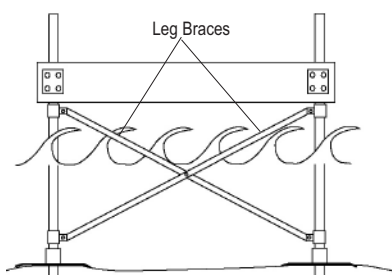


Backer Plates not used with hinges

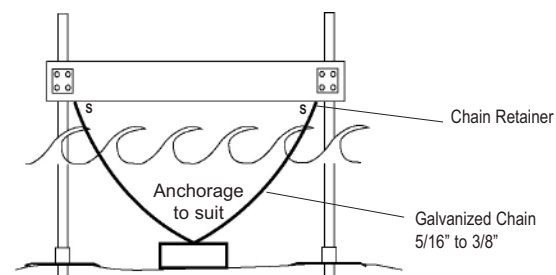
4 STATIONARY DOCK ANCHORAGE

Description

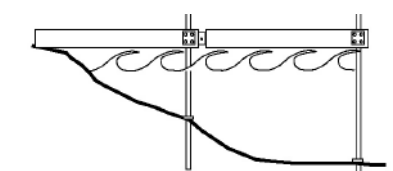
Description	QTY
S - Chain Retainer	99-013-F 2
H - Washer Plate	99-006-F 4
Galvanized chain:	5/16" x approx 48'
Hardware Fastener Kit	85-150-F 1
Anchorage	Min. 125lb ea. 2



Drive leg pipes no less than 12" into lake bed, 24" if dock to be used for a boat mooring.

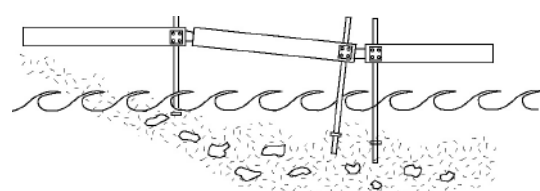


GRADED SHORELINE INSTALLATION



- Use hinge 86-103-F between dock segments.
- Allow leg pipes to protrude below the bottom pads by approximately 12" so they will become embedded in the lake bed.
- Adjust leg pipe holders on leg pipes to level dock segments before tightening.

UNEVEN SHORELINE INSTALLATION



- Use hinge 86-103-F between dock segments.
- Allow the dock segment with the highest drop in elevation to act as a ramp to a maximum of 15° angle.
- Adjust leg pipe holders on leg pipes to sufficient contact with lake bed. Tighten leg holders.

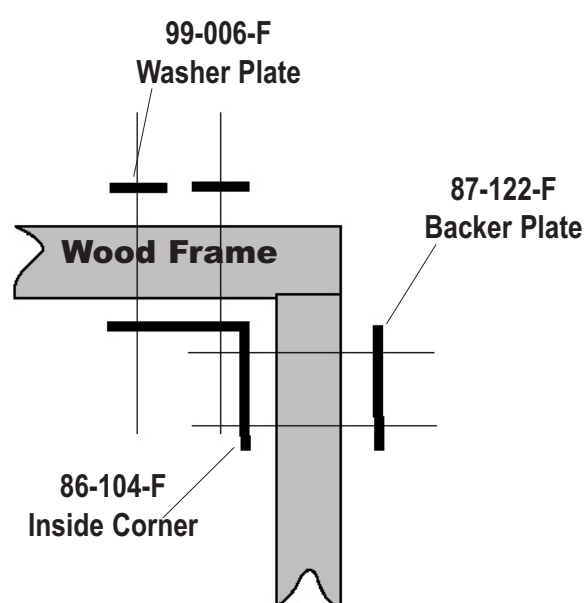
Tools Required for the average Dock Build

(excludes sizing/ cutting of structural wood members)

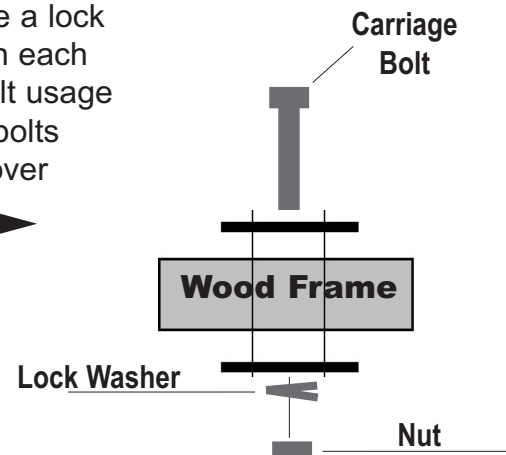
- Electric Drill
- 3/16" drill bit
- 3/8" drill bit or auger
- 3/8" drive Socket wrench set
- Wrench set
- #2 Robertson (square) bit drive for decking screws
- Pencil
- Measuring tape
- 2-1/2" hole saw (not required if mounting leg pipes on outer dock face)

IMPORTANT TIPS

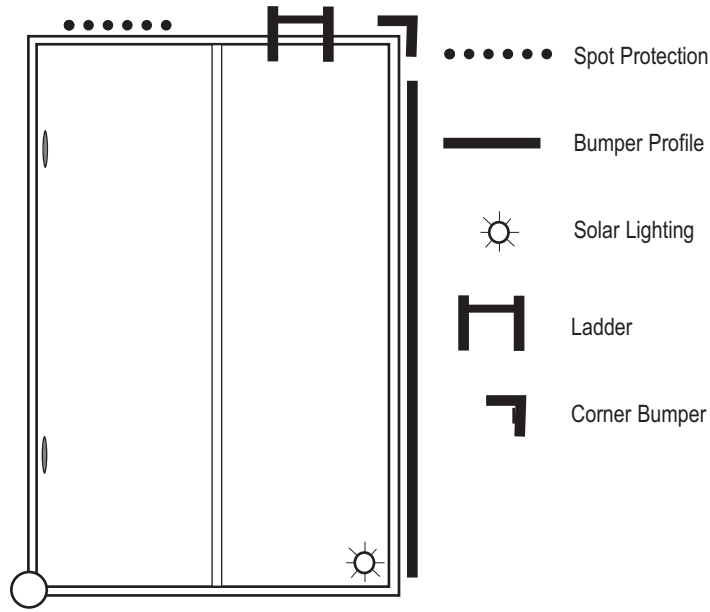
Always use washer plates (99-006-F), backer plate (87-122-F) or mating hardware components together. Framework of the dock structure should be sandwiched between hardware pieces at all joint locations as shown. (sample only, other configurations possible)



Always use a lock washer with each carriage bolt usage to prevent bolts loosening over time.



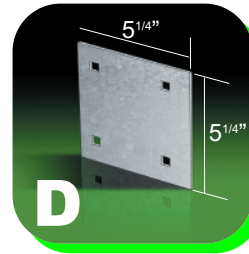
Dock Accessories



- Cleats
- Dock Bumper Wheels

ALSO AVAILABLE
 Mooring Whips
 Life Ring Buoys
 Portable Cleats

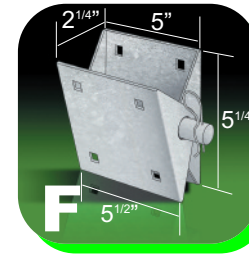
Dock Hardware and Fasteners you will need (referenced by item letter)



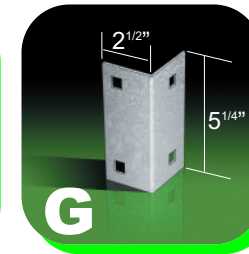
87-122-F Backer Plate. Prevents pipe from deforming wood causing bolt loosening and dock shifting.



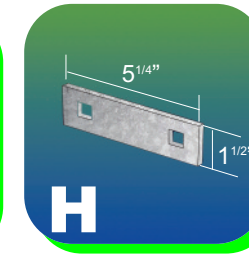
86-100-F Corner Leg Holder. Mounts on inside corner of framework.



86-103-F Connector Hinge. Used to join dock sections or a fixed ramp to the dock at varying angles. Includes hinge pin.



95-122-F Joist Corner. Used to reinforce stringer joints.



99-006-F Washer Plate.



93-168-F (6' 8'') Galvalume Leg Pipe.

8 pieces each included in Fastener Kit 85-150-F



Carriage Bolts



Lock Washers



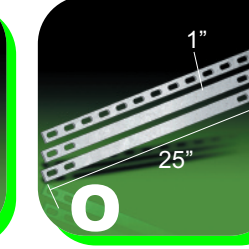
Nuts



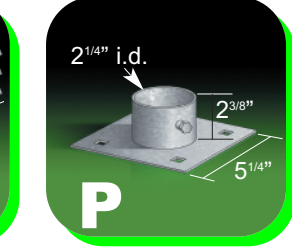
87-107-F Corner Leg Brace Holder. Use when attaching an 89-101-F Leg brace from corner to side legs for stability.



93-105-F Leg Brace Holder. Use with Leg Brace Set to connect leg pipes for stability.



89-101-F Leg Brace Set. Extends up to 72". Use with Leg Brace Holders to connect legs for stability.



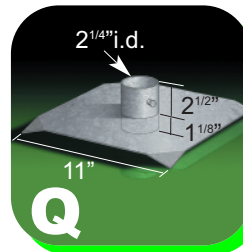
86-102-F Base Plate. Used as a footing. May be bolted to a 2" x 6" piece of lumber and joined to an adjacent base plate for stability.

Hardware Requirements for other dock sizes

Description	Product #	Quantity Required (4' x 8' or 8' x 8' sections)			
		4 x 8 Dock	8 x 8 Dock	4 x 16 Dock	8 x 16 Dock
Joist Corner	95-122-F	24	24	56	56
Washer Plate	99-006-F	4	4	4	4
Corner Leg Holder	86-100-F	4	4	8	8
Side Leg Holder (optional)	86-101-F	4	4	8	8
Corner Leg Brace Holder	87-107-F	4	4	8	8
Side Leg Brace Holder	93-105-F	4	4	8	8
Adjustable Leg Brace Set	89-101-F	6	6	12	12
Leg Pipe 6'8"	93-168-F	4	4	8	8
Bottom Pad	94-102-F	4	4	8	8
Base Plate	86-102-F	May be used in combination with or in place of Bottom Pad 94-102-F			
Pipe cap	91-111-F	4	4	8	8
Chain Retainer	99-013-F	2 (Use at outer most end of dock structure up to 16' & every 16' thereafter)			
Backer Plate	87-122-F	8	8	16	16
Hardware Fastener Kit	85-150-F	5	6	10	12
Connector Hinge*	86-103-F	2	2	2	2
Corner Plate**	86-104-F	2	2	2	4

* Connector Hinges used for between-dock and shore-to-dock or ramp connections and not required for individual dock sections
 ** Corner plate hardware to be used at dock-to-shore connection of dock where leg support is not required

Optional Hardware



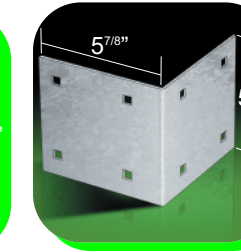
94-102-F Bottom Pad. Use for soft bottom applications. Allows leg pipe to extend through to lake bed for lateral support. Pointed corners.



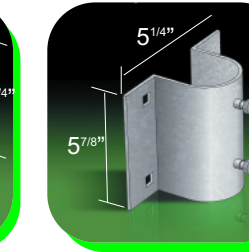
Deck Screws



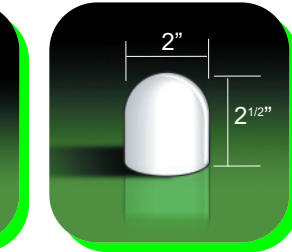
99-013-F Chain Retainer. Mount on outer dock face for easy access and adjustment of anchorage.



86-104-F Corner Plate. Used on inside corners for increased strength and where a leg pipe is not installed/necessary.

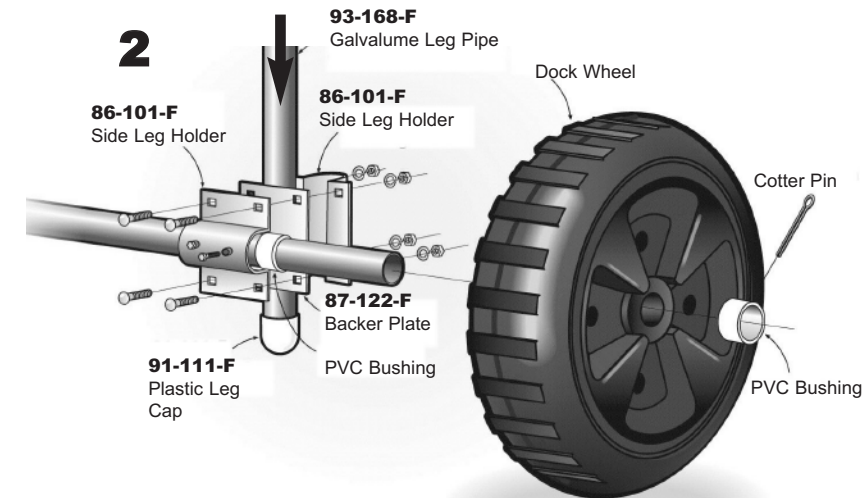
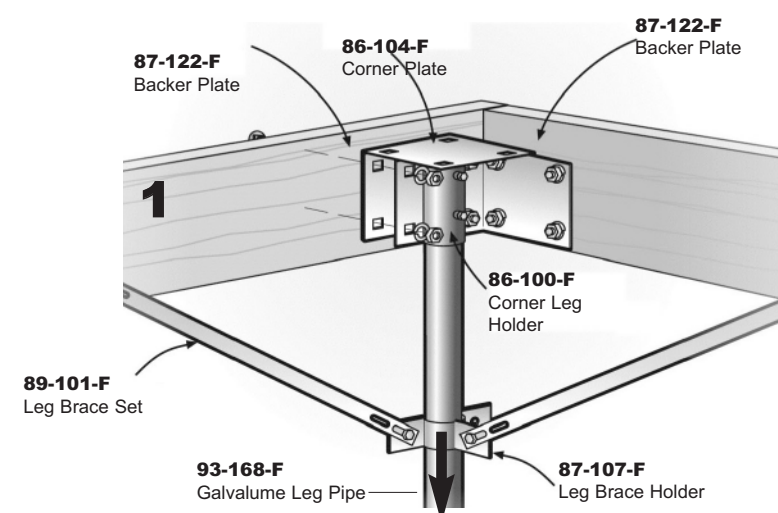


86-101-F Side Leg Holder. Can be mounted inside or outside of the dock frame.



91-111-F Leg Cap. Use to cover raw leg pipe edges. Gives dock the finishing touch.

Attaching rolling wheels for dock insertion & removal



DOCK EDGE INC.

Howell

Discover other anchors and docking on our website.