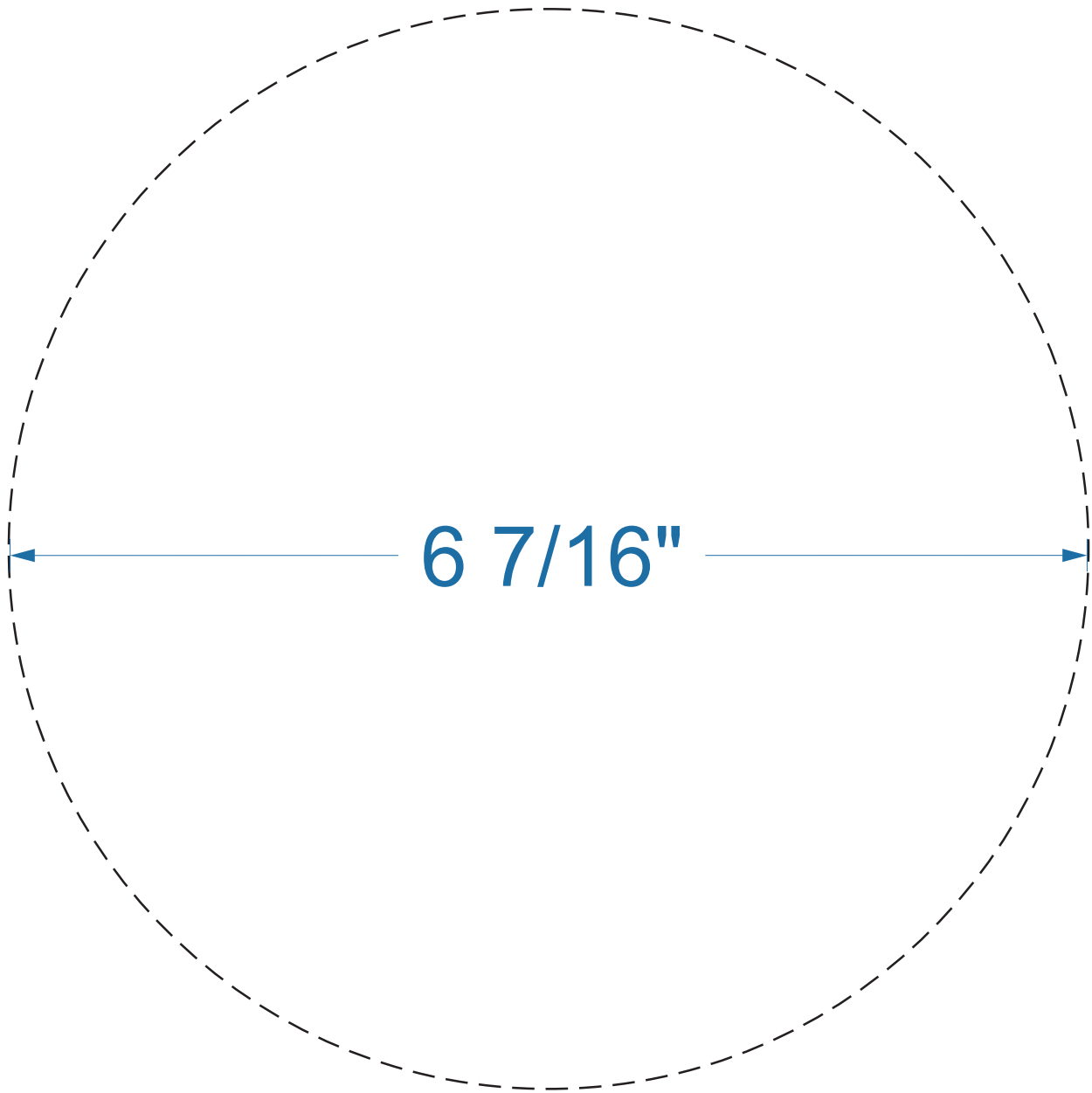


# DPPRY6 Cutout Template



## Installation Instructions:

- 1) Carefully cut along dotted line
- 2) Tape down template on location to be mounted
- 3) Carefully cut hole where hatch is to be mounted
- 4) Place hatch in hole mark/drill fastener holes
- 5) Apply generous bead of marine grade silicone to mounting surface and place frame into place
- 6) Install fasteners and be careful not to over tighten