



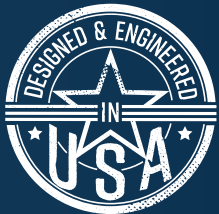
**DS18**  
HYDRO

**DS18**  
HYDRO

OWNER'S MANUAL

**AXL10SUB**

MARINE & MOTORSPORTS 10" SUBWOOFER



▲▲ FOR ALL  
ELEMENTS





# AXL10SUB

MARINE & MOTORSPORTS 10" SUBWOOFER

## FEATURES

- 10" Subwoofer for Marine & Motorsports
- Continuous Power Handling 300 Watts RMS
- Peak Music Power 600 Watts Max
- IP65 Marine Grade Compliant Specifications, 100% UV Stable
- Integrated RGB LED Lighting
- High Temp Injection Molded Composite High Gloss Basket with UV Coating
- High Temp Injection Molded Composite High Gloss White Grille with UV Coating with 316 Metal Mesh
- Motor Structure use Y35 Ferrite Main Magnet
- Sensitivity: 98dB AT 1w/1m
- Nominal Impedance: 4 Ohm
- Injection Molded, UV Compliant, Polypropylene Cone, Butyl Surround
- RF Remote LED Controller or WiFi Controller Available for Multi-Function RGB LED Lighting (Optional)

## PACKING INCLUDE

- 1 - 10" Subwoofer for Marine Motorsports
- 1 x 1.5M #18 Speaker Input Wired with Fast Terminal
- 1 x 1.5M #22 RGB LED Power Input Wired with Fast Terminal
- 6 x M5.2 Phillips Inner Hex Head 304 Stainless Steel (4mm Hex Tool)
- 1 Owner's Manual

## WARNINGS

1. Be Sure to carefully read and understand the instructions before attempting to install these speakers.
2. For safety, disconnect the negative battery terminal from the battery prior to beginning the installation.
3. For easier assembly, we suggest you run all wires prior to mounting speaker in place
4. Use high quality connectors for a reliable installation and to minimize signal or power loss
5. Think before you drill. Be careful not to cut or drill gas tanks, fuel lines, brake or hydraulic lines, vacuum lines or electrical wiring when working on any vehicle. If installing in a boat, take care not to cut or drill through the mail hull.
6. Never run wires underneath the vehicle. Running the wires inside the vehicle or hull area provides the best protection.
7. Avoid running wires over or through sharp edges. Use rubber or plastic grommets to protect any wires routed through metal - especially the firewall.

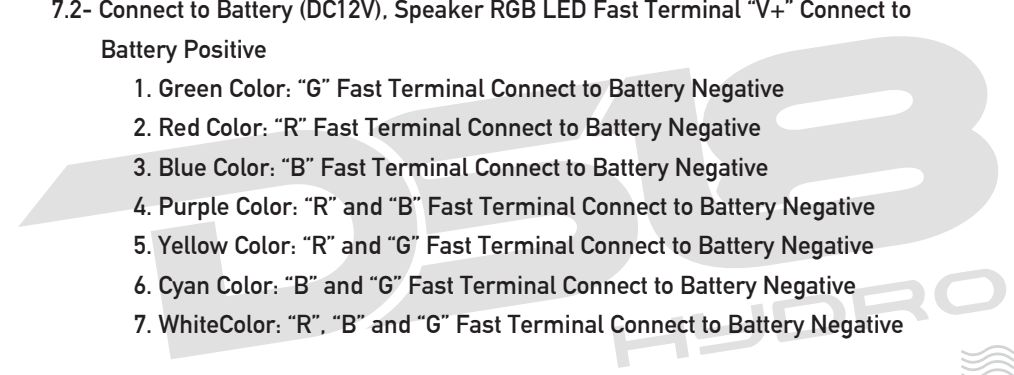
## MOUNTING

1. Determine where the speakers will be mounted. Ensure an area large enough for the speaker to mount evenly. Be sure that the mounting location is deep enough for the speaker to fit; only mount to a flat surface. Use extra caution when mounting on panels with urethane foam.
2. Refer to the specification chart to determine the proper diameter hole to cut for the speaker.
3. Mark the locations for the mounting screws. Drill the holes with a 0.75" bit.
4. Feed the speaker wires through the cutout and connect to the speaker terminals. Be sure to observe proper polarity when connecting the wires. The speaker's positive terminal is indicated with a "+".
5. Fit the speaker and mount into place using six (6) screws.
6. Tighten the screws until the speaker is v in place
7. **LED CONNECTIONS** - There are two options to choose from:

- 7.1- Connect RGB Wires to RF RGB LED Controller or WiFi RGB LED Controller (optional)
- 7.2- Connect to Battery (DC12V), Speaker RGB LED Fast Terminal "V+" Connect to

Battery Positive

1. Green Color: "G" Fast Terminal Connect to Battery Negative
2. Red Color: "R" Fast Terminal Connect to Battery Negative
3. Blue Color: "B" Fast Terminal Connect to Battery Negative
4. Purple Color: "R" and "B" Fast Terminal Connect to Battery Negative
5. Yellow Color: "R" and "G" Fast Terminal Connect to Battery Negative
6. Cyan Color: "B" and "G" Fast Terminal Connect to Battery Negative
7. WhiteColor: "R", "B" and "G" Fast Terminal Connect to Battery Negative

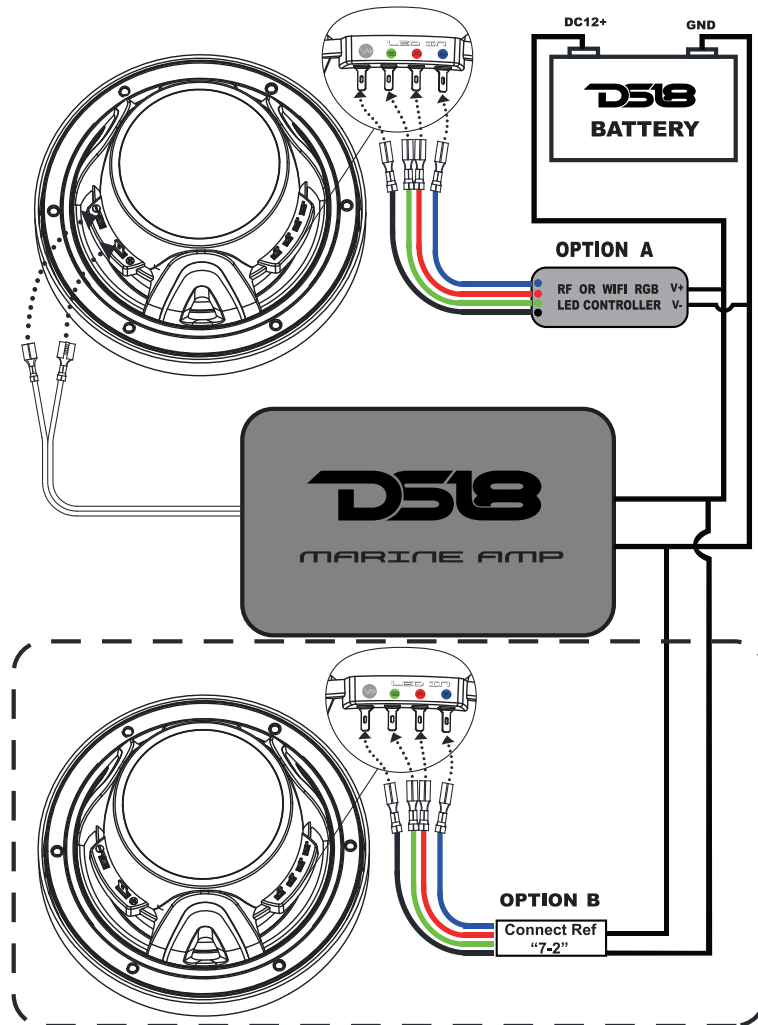




# NXL10SUB

MARINE & MOTORSPORTS 10" SUBWOOFER

## INSTALLATION



## SPECIFICATIONS

NXL10SUB FOR ALL ELEMENTS 10" SUBWOOFER

Model	NXL10SUB
Nominal Diameter	10" (254 mm)
Type	Subwoofer
Nominal Impedance (ohms)	4Ω
Frequency Response (Hz)	25-2 KHz
Voice Coil Diameter	2" (50.0 mm)
Power Handling	300 Watts RMS / 600 Watts MAX
Fs - Free Air Resonance (Hz)	40
Qts	0.62
Vas - Cu. Ft (Liter)	1.042 (29.5)
Sensitivity (1w/1m)	89dB
Xmax	0.5" (13 mm)
Mounting Hole	8.78" (223 mm)
Mounting Depth	5.02" (127.5mm)

We Reserve the Right to Change Products and Specifications at Any Time  
Without Notice. Images May or May Not Include Optional Equipment





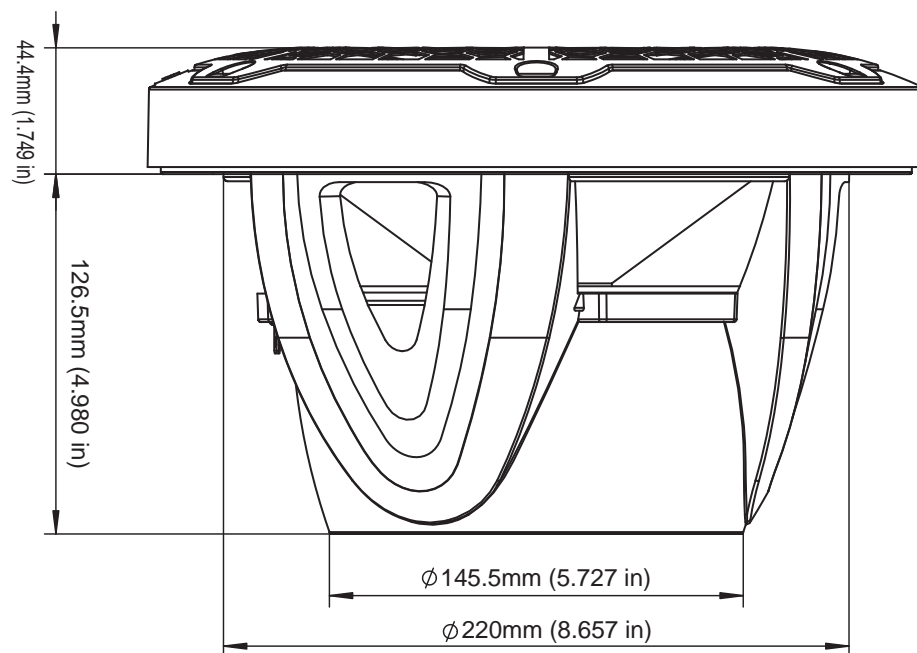
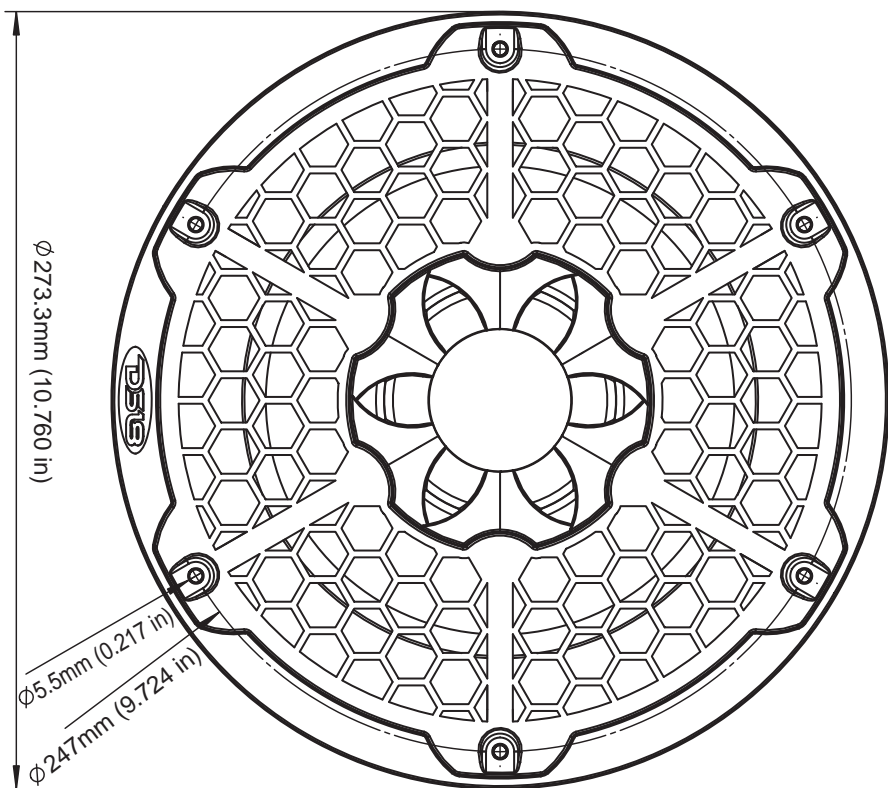
# NXL10SUB

MARINE & MOTORSPORTS 10" SUBWOOFER

# DS18

HYDRO

## DIMENSIONS



# DS18

HYDRO



If you're looking for quality marine audio, visit our website.