

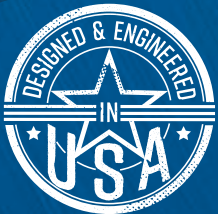
**D518**  
HYDRO

**D518**<sup>®</sup>  
HYDRO

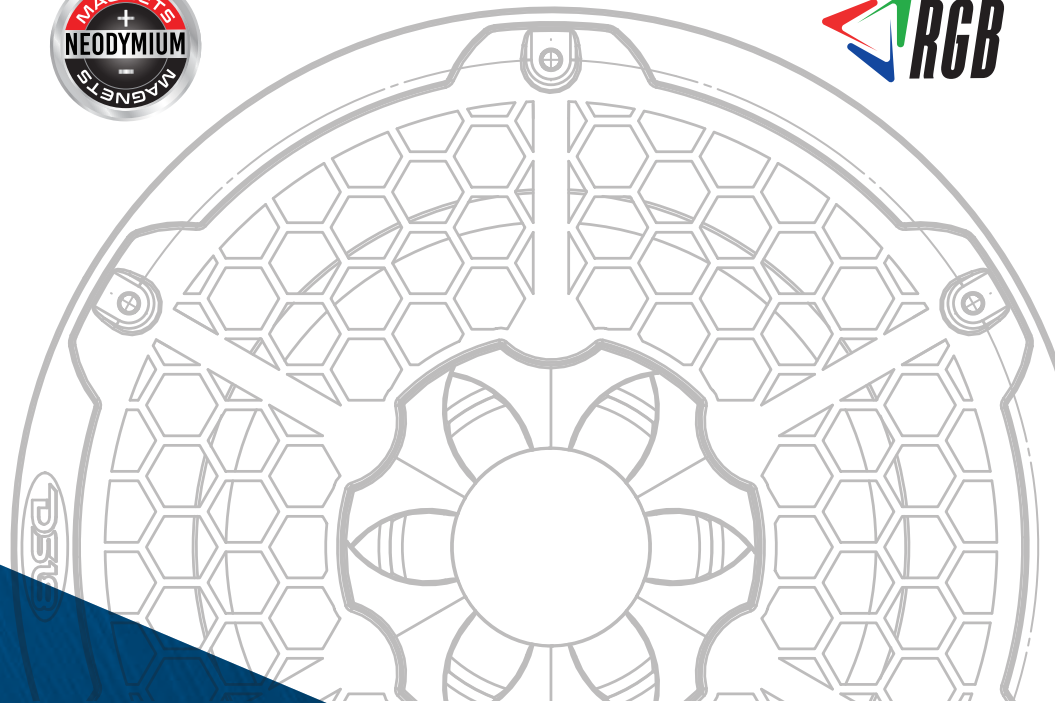
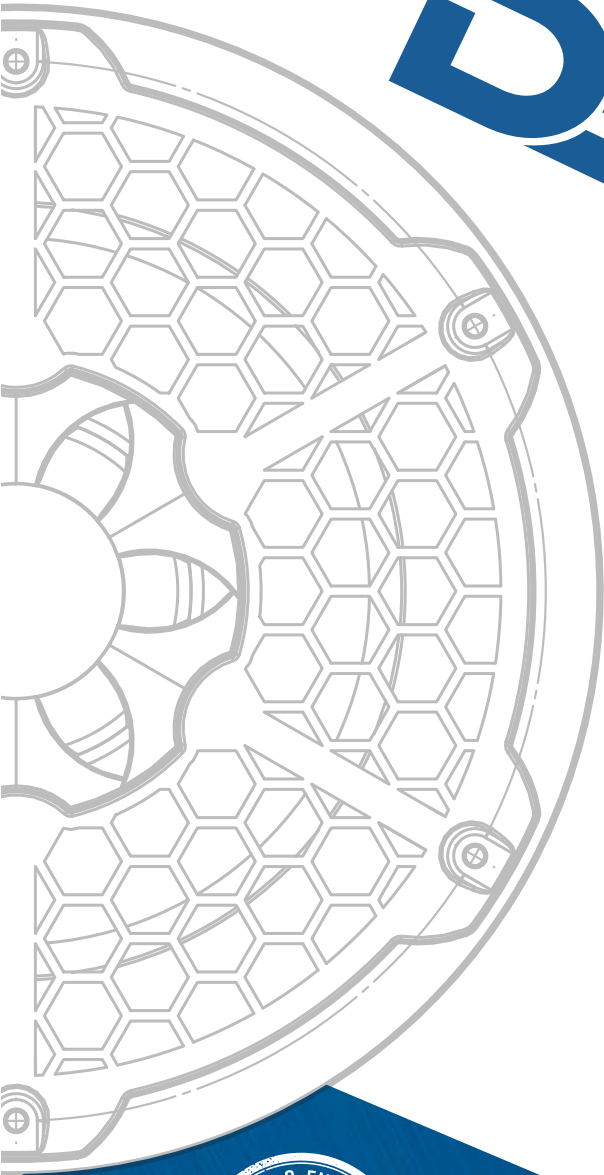
**OWNER'S MANUAL**

**NXL-1250B**

MARINE & MOTORSPORTS 12" SUBWOOFER



▲▲ FOR ALL  
ELEMENTS 





## FEATURES

**MARINE & MOTORSPORTS 12" SUBWOOFER**  
IP65 Marine Grade Compliant 100% UV Stable  
Continuous Power Handling: 350W RMS  
Peak Music Power: 700W MAX  
Nominal Impedance: 4 Ohms  
Sensitivity: 91dB  
Frequency Response: 30Hz-500Hz

### Components

Y35 Ferrite Main Magnet and Reverse N40H (Neodymium) Magnet  
Integrated LED-RGB Lighting

### Materials

Waterproof Injection PP Cone  
Soft Rubber Surround  
316 Stainless Metal Mesh  
Injection ASA Grill with Gloss UV-Coating  
PC Injection Molded Composite Basket with Gloss UV-Coating

BT Control Module & App (LED-BTC) For Multi-Function for  
RGB LED Lighting (sold separately)

Mounting Depth: 5.75"/146mm  
Cut-Out Diameter: 10.71"/272mm  
Overall Diameter: 12.81"/325.3mm  
Overall Height: 7.68"/195mm

## PACKING INCLUDE

12" Marine & Motorsports Subwoofer  
1 x 1.5M #16 Speaker Input Wired with Fast Terminal  
1 x 1.5M #22 RGB LED Power Input Wired with Fast Terminal  
6 x M5.2 Phillips Inner Hex Head 304 Stainless Steel (4mm Hex Tool)

## WARNINGS

1. Be Sure to carefully read and understand the instructions before attempting to install these speakers.
2. For safety, disconnect the negative battery terminal from the battery prior to beginning the installation.
3. For easier assembly, we suggest you run all wires prior to mounting speaker in place
4. Use high quality connectors for a reliable installation and to minimize signal or power loss
5. Think before you drill. Be careful not to cut or drill gas tanks, fuel lines, brake or hydraulic lines, vacuum lines or electrical wiring when working on any vehicle. If installing in a boat, take care not to cut or drill through the mail hull.
6. Never run wires underneath the vehicle. Running the wires inside the vehicle or hull area provides the best protection.
7. Avoid running wires over or through sharp edges. Use rubber or plastic grommets to protect any wires routed through metal - especially the firewall.

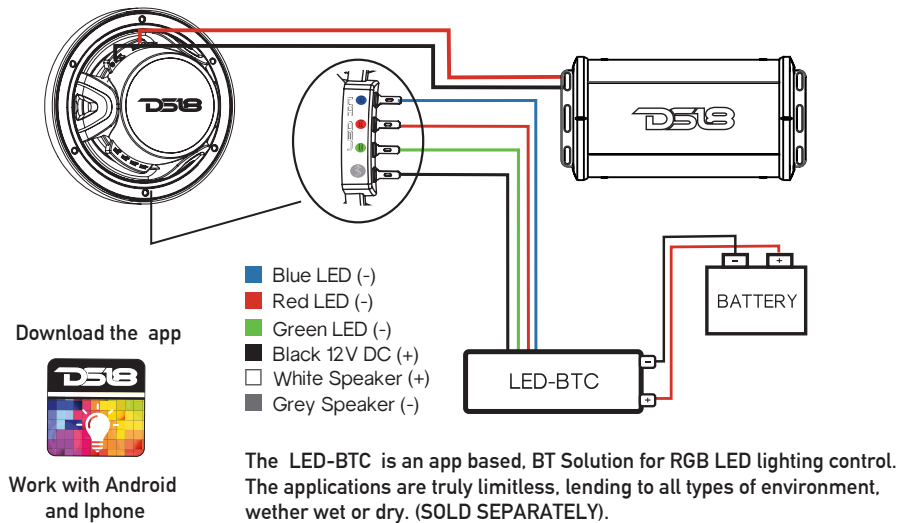
## MOUNTING

1. Determine where the speakers will be mounted. Ensure an area large enough for the speaker to mount evenly. Be sure that the mounting location is deep enough for the speaker to fit: only mount to a flat surface. Use extra caution when mounting on panels with urethane foam.
2. Refer to the specification chart to determine the proper diameter hole to cut for the speaker.
3. Mark the locations for the mounting screws. Drill the holes with a 0.75" bit.
4. Feed the speaker wires through the cutout and connect to the speaker terminals. Be sure to observe proper polarity when connecting the wires. The speaker's positive terminal is indicated with a "+".
5. Fit the speaker and mount into place using six (6) screws.
6. Tighten the screws until the speaker is in place.



## 7. LED CONNECTIONS - There are two options to choose from:

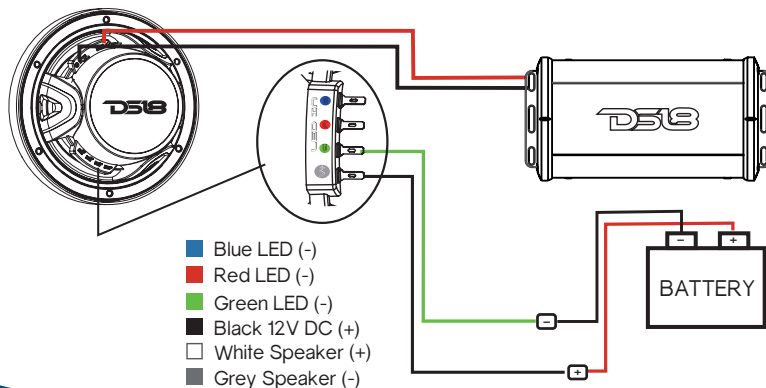
1 If you have an LED Control Module (LED-BTC), connect as shown in the following diagram.



2 To connect without LED Control Module (LED-BTC), connect as shown in the following diagram:

- Black wire "BK" connected to battery Positive (+) 12V then choose one color:
- For Green color light: "G" Connected to Battery Negative (-)
- For Red color light: "R" Connected to Battery Negative (-)
- For Blue color light: "B" Connected to Battery Negative (-)
- For Purple color light: "R" and "B" Connected to Battery Negative (-)
- For Yellow color light: "R" and "G" Connected to Battery Negative (-)
- For Cyan color light: "B" and "G" Connected to Battery Negative (-)
- For White color light: "R", "B" and "G" three wires Connected to Battery Negative (-)

Example of Green Light Connection:



## SPECIFICATIONS

Model	NXL-12SUB
Nominal Diameter	12.81" / 325.3mm
Type	Subwoofer
Nominal Impedance (ohms)	4 ohms
Frequency Response (Hz)	30-500Hz
Voice Coil Diameter	2" (50mm)
Power Handling	350 Watts RMS / 700 Watts MAX
Fs - Free Air Resonance (Hz)	33Hz
Qts	0.341
Vas - Cu. Ft (Liter)	2.666cu.ft / 75.492l
Sensitivity (1w/1m)	91dB
Xmax	0.787" / 20mm
Mounting Hole	11.81" / 300mm
Mounting Depth	5.75" / 146mm

We Reserve the Right to Change Products and Specifications at Any Time Without Notice. Images May or May Not Include Optional Equipment.





# NXL-12SUB

MARINE & MOTORSPORTS 12" SUBWOOFER

## DIMENSIONS

