

DS18

HYDRO

NXL8BK

8" 2-WAY BLACK MARINE SPEAKER SYSTEM

NXL6BK

6.5" 2-WAY BLACK MARINE SPEAKER SYSTEM

OWNER'S MANUAL

▲ FOR ALL
ELEMENTS



FEATURES:

MODEL	TYPE	RMS/PEAK POWER
MXL6BK	6.5" 2-WAY SPEAKER	100W / 300W
MXL8BK	8" 2-WAY SPEAKER	125W / 375W

- Marine / UTV 2- Way Speaker For Marine, Motorcycles & ATV / UTV
- Sensitivity: 91dB / 93dB at 1W/1M
- Nominal Impedance: 4 Ohms
- 25 mm Titanium Dome PEI Surround Tweeter
- IP65 Marine Grade Compliant Specifications, 100 % UV Stable
- Integrated RGB LED Lighting
- High Temp Injection Molded Composite High Gloss Basket with UV Coating
- High Temp Injection Molded Composite ABS Grilles, Matt Black Painted
Motor Structure Use Y35 Ferrite Main Magnet and Reverse Neodymium Magnet
- Copper Ring Utilized in Motor Structure for Far-Field Performance
- Injection Molded, UV-Compliant, Polypropylene Cone, Butyl Surround
- RF Remote LED Controller or WIFI Controller Option Available for
- Multi-Function RGB LED Lighting

Packaging Includes

One Pair Marine/UTV Grade Speaker
2X1.5M #18 Speaker Input Wires With Fast Terminal
2X1.5M #22 RGB LED Power Input Wires With Fast Terminal
12XM4 Philips Inner Hex Head 304 Stainless Screw(3mm Hex Tool)
Owners Manual



NXL6BK - NXL8BK

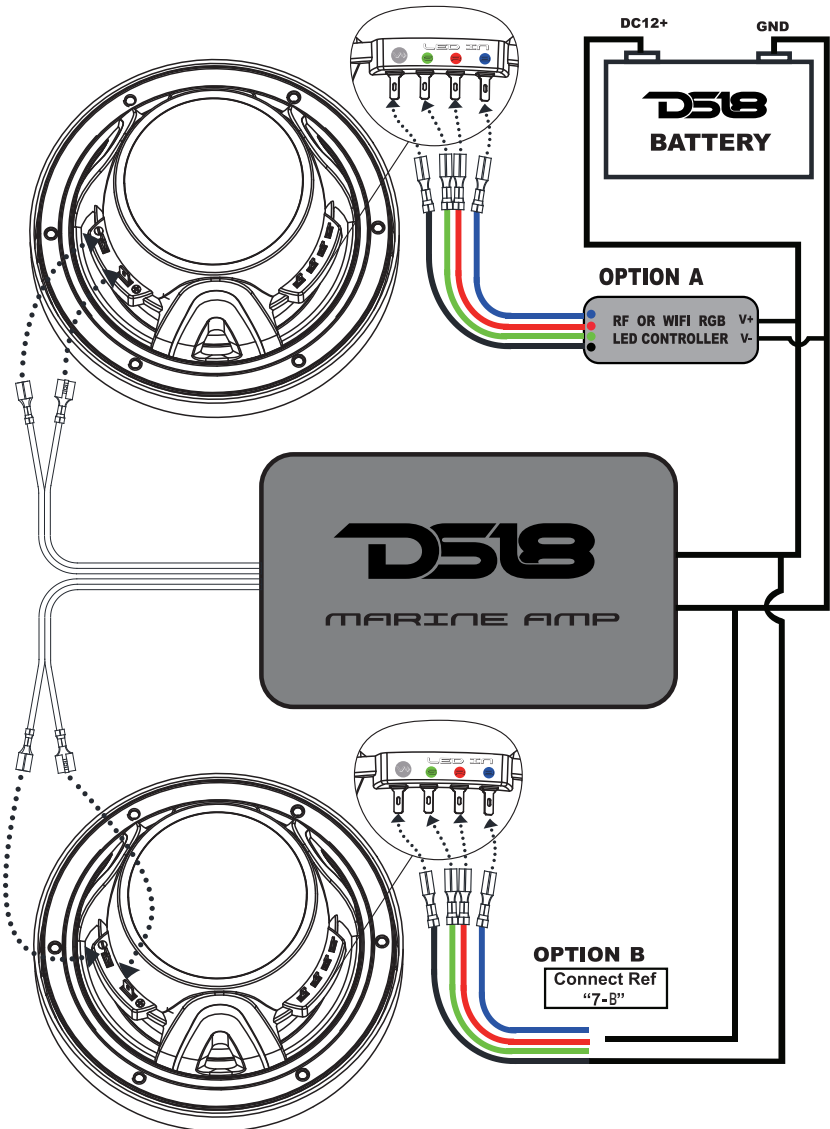
INSTALLATION CONSIDERATIONS BEFORE ATTEMPTING INSTALL

1. Be sure to carefully read and understand the instruction before attempting to install these Speakers.
2. For Safety, Disconnect the negative Battery Terminal from the Battery Prior to Beginning the Installation Process.
3. For Easier Assembly, We Suggest you Run all Wires Prior to Mounting Speakers in Place.
4. Use High Quality Connectors for a Reliable Installation and to Minimize Signal or Power Loss.
5. Be Careful not to Drill or Cut into Gas Tanks, Fuel Lines, Brake or Hydraulic Lines, Vacuum Lines or Electrical Wiring while installing. If Installing in a Boat, be Careful Not to Cut or Drill Through the Main Hull.
6. Never Run Wires Underneath the Vehicle. In order to provide the best Protection, Make Sure to Run Wires Inside the Vehicle or Hull.
7. Avoid Running Wires Over or Through Sharp Edges. Use Rubber or Plastic Gromets to Protect any Wires Routed Through Metal, Specially the Firewall.

MOUNTING

1. Determine where the Speakers will be mounted. Be sure that the Mounting Area is Deep and Wide Enough for the Speaker to Fit. PLEASE ONLY MOUNT ON A FLAT SURFACE.
2. Refer to the Specification Chart to Determine the Proper Diameter for the Hole you need to Cut.
3. Mark the Location for the Mounting Screws. Drill the Holes with a 1/8 " bit.
4. Feed the Speaker wires through the cutout and Connect to the Speaker Terminals. Watch out for Proper Polarity when Connecting the Wires.
5. Fit Speaker and Mount into Place using 6 screws.
6. Tighten the Screws until the Speaker is Snug in Place.
7. LED CONNECTION:
 - 7-A: Connect RGB Wires to RF or Wifi RGB LED Controller. (Optional)
 - 7-B: Connect to Battery (DC12V), Speaker RGB LED Fast Terminal (V +) Connect to Battery Positive.

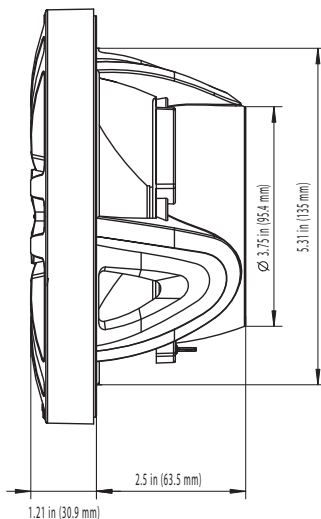
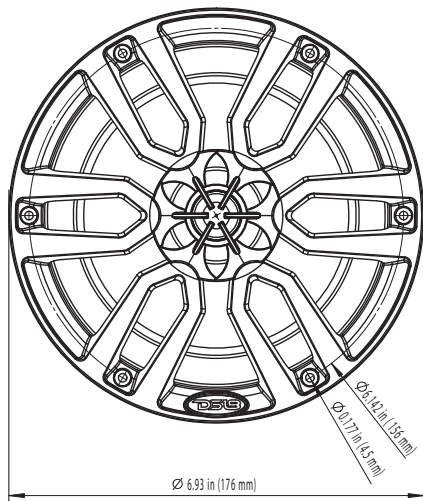
1. Green Color: "G" Fast Terminal Connect to Battery Negative
2. Red Color: "R" Fast Terminal Connect to Battery Negative
3. Blue Color: "B" Fast Terminal Connect to Battery Negative
4. Purple Color: "R" And "B" Fast Terminal Connect to Battery Negative
5. Yellow Color: "R" And "G" Fast Terminal Connect to Battery Negative
6. Cyan Color: "B" And "G" Fast Terminal Connect to Battery Negative
7. White Color: "R" And "B" And "G" Fast Terminal Connect to Battery Negative



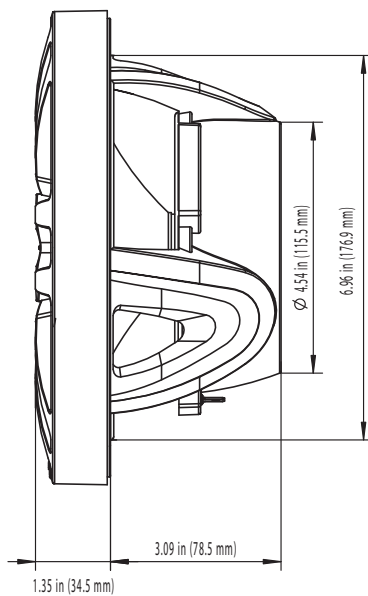
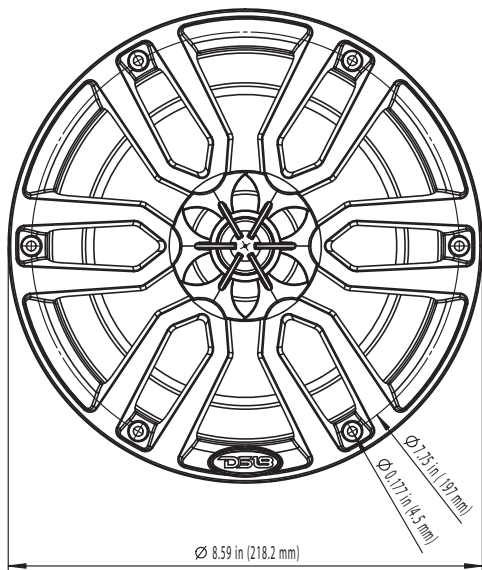
Green Color: "G" Fast Terminal Connect to Battery Negative
 Red Color: "R" Fast Terminal Connect to Battery Negative
 Blue Color: "B" Fast Terminal Connect to Battery Negative
 Purple Color: "R" And "B" Fast Terminal Connect to Battery Negative
 Yellow Color: "R" And "G" Fast Terminal Connect to Battery Negative
 Cyan Color: "B" And "G" Fast Terminal Connect to Battery Negative
 While Color: "R" And "B" And "G" Fast Terminal Connect to Battery Negative



MXL6BK



MXL8BK



SPECIFICATIONS

MODEL	NXL6BK	NXL8BK
NOMINAL DIAMETER	6.5" (165 mm)	8" (203 mm)
TYPE	2 - Way	2 - Way
NOMINAL IMPEDANCE (OHMS)	4 Ohms	4 Ohms
FREQUENCY RESPONSE (Hz)	45 - 23 KHz	35-23 KHz
VOICE COIL DIAMETER	1.2" (30.5 mm)	1.2" (30.5 mm)
POWER HANDLING (RMS/MAX P)	100 W / 300 W	125 W / 375 W
FS-FREE AIR RESPONSE (HZ)	65	50
QTS	0.622	0.532
VAS -CU.FT (Liter)	0.3 (8.5)	0.795 (22.5)
SENSITIVITY (1W/1M)	91 dB	93 dB
XMAX	0.16" (4 mm)	0.16" (4 mm)
MOUNTING HOLE	5.31" (135 mm)	6.96" (177 mm)
MOUNTING DEPTH	2.5" (63.5 mm)	3.09" (78.5 mm)

We Reserve The Right To Change Products And Specificatins At Any Time Without Notice. Images May Or May Not Include Optional Equipment