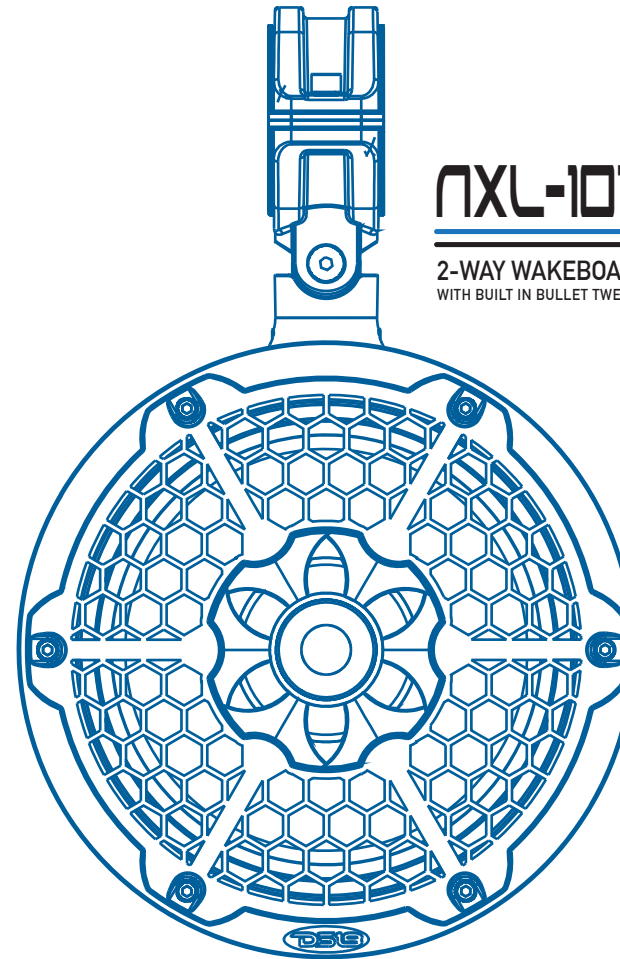
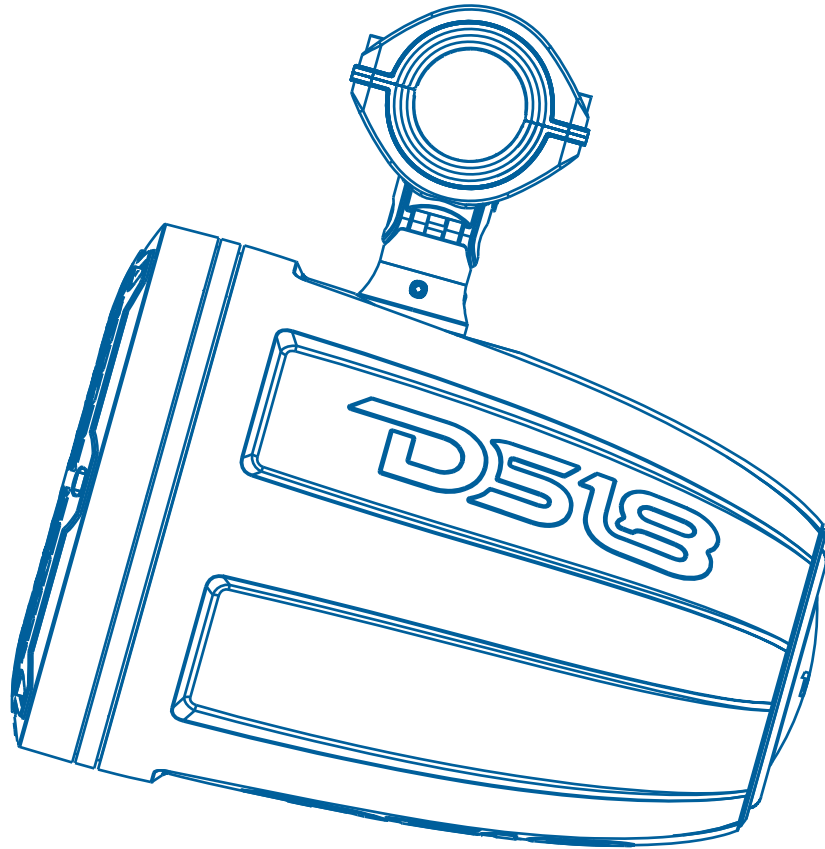


# DS18<sup>®</sup>

HYDRO



## NXL-10TPNEO

2-WAY WAKEBOARD POD TOWER SPEAKERS  
WITH BUILT IN BULLET TWEETER AND PASSIVE SUBWOOFER RADIATOR

## FEATURES

10" 2-Way Wakeboard Pod Tower Speaker with Built in Bullet Tweeter and Passive Subwoofer Radiator  
IP65 Marine Grade Compliant 100% UV Stable  
Continuous Power Handling: 300W RMS  
Peak Music Power: 900W MAX Each  
Nominal Impedance:4 Ohms  
Sensitivity:98dB  
Frequency Response:45Hz-22KHz

### Components

Coax Separate with Floating Design  
Y35 Ferrite Main Magnet and Reverse N40H (Neodymium) Magnet  
1.75" VC N40H(Neodymium) Titanium Bullet Tweeter  
6" Passive Subwoofer Radiator for Bass Boost

### Materials

Waterproof Compress Paper Cone with Carbon fiber  
Soft PC Damping Glued Surround  
CNC Solid Aluminum Bullet  
Injection ABS, 6mm Painted Enclosure  
Injection ABS Grill with 316 Stainless Metal Mesh  
PC Injection Molded Composite Basket

### Clamps

Die-cast Full Rounded, Aluminum 360-Degree Rotation Mounting Clamps,  
Buried Wire or Open Wire Mounting Optional, Included 2.25",2.5",2.75",3" NBR Pad

### Lighting

Integrated LED-RGB Speaker Lighting  
Integrated LED-RGB Acrylic Ring Lighting  
6 Core Wires for Lighting and Speaker  
Front Logo Can be Rotated For Correct Angle Display

*BT Control Module & App (LED-BTC) For Multi-Function for RGB LED Lighting (sold separately)*

## SPECIFICATIONS



MODEL	NXL-10TPNEO
<b>Nominal Diameter</b>	273mm/10.75"
<b>Type</b>	2-WAY
<b>Nominal Impedance ( Ohms )</b>	4Ω
<b>Frequency Response ( Hz )</b>	45-22KHz
<b>Voice Coil Diameter</b>	50.8mm/2"
<b>Power Handling RMS/PEAK</b>	300W/900W
<b>Fs-Free Air Resonance (Hz)</b>	55Hz
<b>Qts</b>	0.621
<b>Vas - cu.ft (Liter)</b>	1.05cu.ft/29.74L
<b>Sensitivity(1W/1M)</b>	98dB
<b>Xmax</b>	6mm/0.24"
<b>Mounting Height</b>	421.3mm/16.59"
<b>Mounting Depth</b>	386.4mm/15.21"
<b>Mounting Width</b>	273.3mm/10.76"

FOR ALL ELEMENTS

We Reserve The Right To Change Products And Specificatins At Any Time Without Notice. Images May Or May Not Include Optional Equipment

## INITIAL SETUP

### INSTALLATION CONSIDERATIONS:

1. Be sure to carefully read and understand the instructions before attempting to install these speakers.
2. For safety, disconnect the negative battery terminal from the battery prior to beginning the installation.
3. For easier assembly, we suggest you have all your tools in hand- Drill, Allen set, Crimp, Soldering iron, Wire Strippers, Heat-shrink, etc.
4. Use high quality "WaterProof" connectors for a reliable installation and to minimize signal or power loss.
5. **Think before you drill!** Be careful not to cut or drill into gas tank, fuel lines, brake or hydraulic lines, vacuum lines or electrical wiring when working on any vehicle. If installing in a boat, make sure not cut or drill through the main hull.
6. Never run wires near fuel lines or power (if possible). Running the wires inside the hull or car area provides the best protection.
7. Avoid running wires over or through sharp edges. Use rubber or plastic grommets to protect any wires routed through metal, especially the tower.
8. Make sure that the mounting clamp or "L" bracket are tight before leaving the dock.
9. Decide early what type of LED lighting you want (if any) and wire accordingly  
(NOTE :if you want "Dancing Light" look to the WiFi or RF or BT remote controlled LED light box. The easy way to have lighting ... YOUR way!)

### PREPARING FOR INSTALLATION:

- An Electric Drill With Bits
- Allen / Hex Key / Wrench Set
- Philips Head And Standard Screw Drivers
- Wire Strippers
- Crimping Tool
- Vom (Electronic Volt Ohm Meter)
- Heat Shrink Tubing And Heat Gun
- Soldering Iron
- Electronic (Rosen Not Acid Core) solder

### PACKAGING INCLUDES

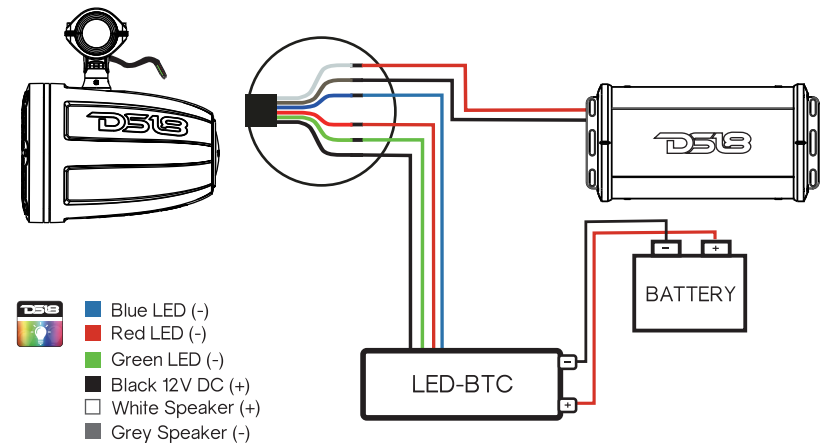
One Pair Marine Grade Tower Pods System  
 2 Sets 3" Solid Aluminum Clamp For Mast Mounting  
 4x2.25" ,4x2.5" ,4x2.75" NBR Pad  
 6mm, 5mm, 4mm, Hex Wrench

**NOTE: The stainless steel hardware supplied with your speakers has been chosen to resist rust and corrosion. If the particular hardware supplied will not work for your installation purposes, please be sure to use only appropriate marine grade (stainless steel) mounting hardware.**

## INSTALLATION & CONNECTION OPTIONS



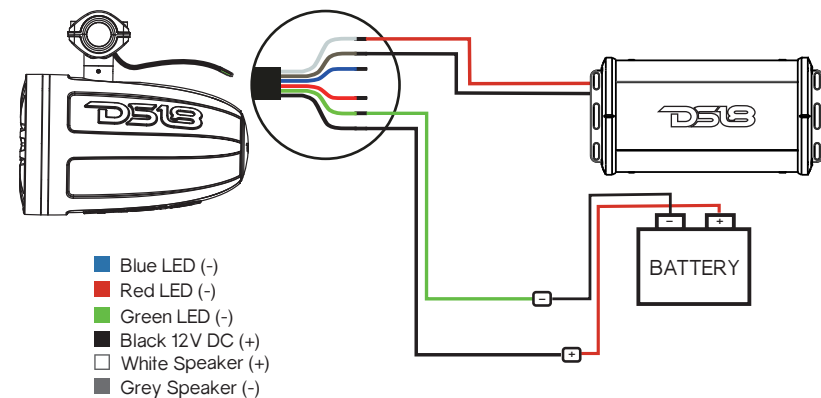
- ▶ If you have an LED Control Module (LED-BTC), Connect as shown in the Following diagram:



- ▶ To connect without LED Control Module (LED-BTC), Connect as Shown in the Following Diagram;

Black wire "BK" Connected to battery Positive(+)12V then choose one color:  
 for Green Color Light "G" Connected to Battery Negative(-)  
 for Red Color Light "R" Connected to Battery Negative(-)  
 for Blue Color Light "B" Connected to Battery Negative(-)  
 for Purple Color Light "R" and "B" Connected to Battery Negative(-)  
 for Yellow Color Light "R" and "G" Connected to Battery Negative(-)  
 for Cyan Color Light "B" and "G" Connected to Battery Negative(-)  
 for White Color Light "R", "B" and "G" three wires Connected to Battery Negative(-)

Example of Green Light Connection:



## INSTALLATION

### BEGINNING MOUNTING

Step 1: Remove tower speakers from the packaging and ALL hardware.

Step 2: Find a GOOD location that allows for easy wiring of the speaker (and LED lights) - PLUS does NOT impair your movement around the location.

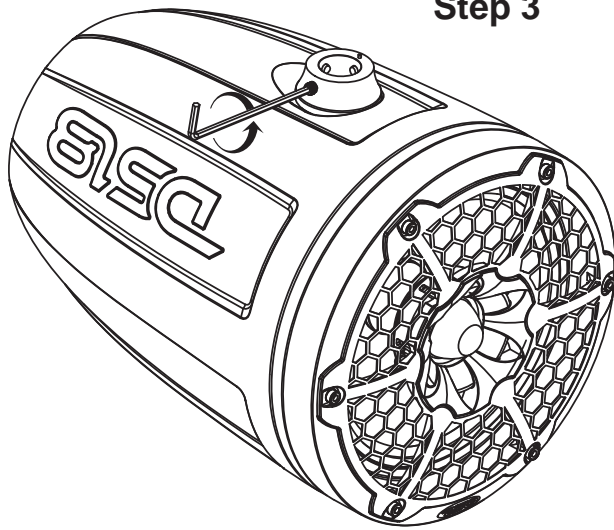
Step 3: Using the supplied 4mm hex wrench spin out the 3-M8 no head screw about 5mm, prepare to mounting See image below.

Step 4: Using the supplied 6mm hex wrench remove the 2-M8 bolts that hold the clamp tops onto the clamp bottom of the separate clamp and wire.

Step 5: Drill  $\varnothing 15 - \varnothing 20$  mm hole on mounting tube bottom align the clamp wire out hole.

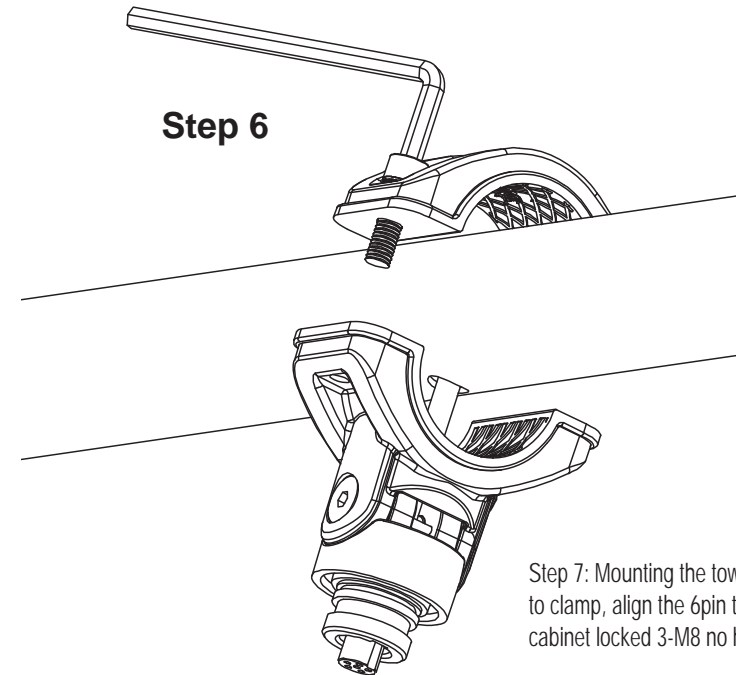
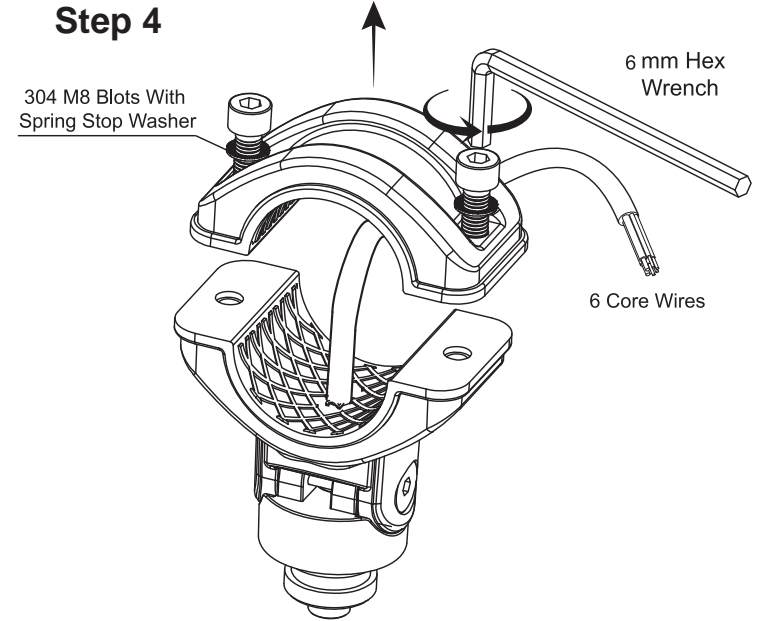
Step 6: Connect the speaker wire AMP out and LED controller, Insulated lock the clamp to tube.

**DS18**  
HYDRO



## INSTALLATION

**DS18**  
HYDRO



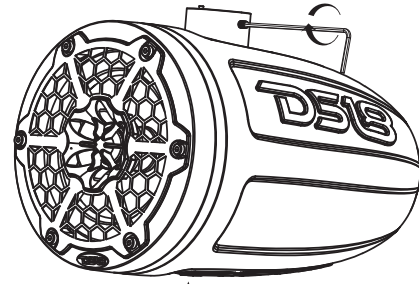
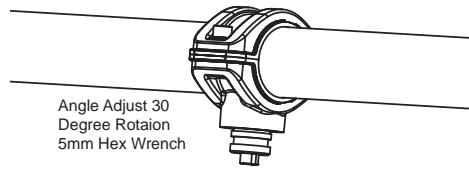
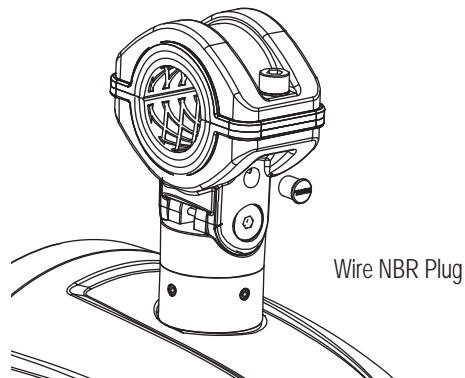
FOR ALL ELEMENTS

## INSTALLATION

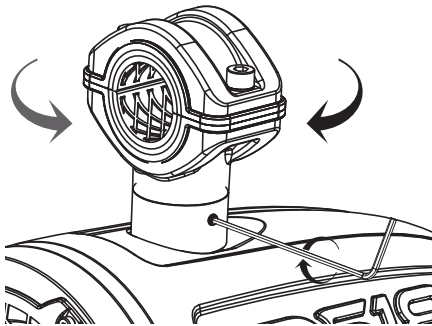
Step 8: If needed, rotate the speakers for best dispersion. This is easily done by locating the 4mm hex wrench set screw on the side of the mounting clamp. Once located release it using the included 4mm hex wrench so that you may rotate the speaker / enclosure to the desired angle. Once there... lock the Allen down.

Step 9: During the mounting process you should have located the spot to drill your tower bar for the 6 conductor wire (Speaker and RGB lightning wiring) insertion. Or NOT (see Tie-wrap solution below)

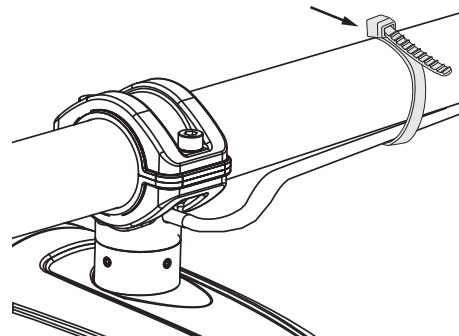
Step 10: Remove Wire NBR Plug and Slide the wire thru the hole Snake the wire down to the bottom of the tower tube in a location that the wires can be attached to the audio (And lighting) system. Solder or butt connect the speaker wire coming from the tower to the speaker wire to the system. Then heat-shrink it for added protection from water / moisture.



CLAMP 360 DEGREE ROTATION



Tie-Wrap across Tower Tube

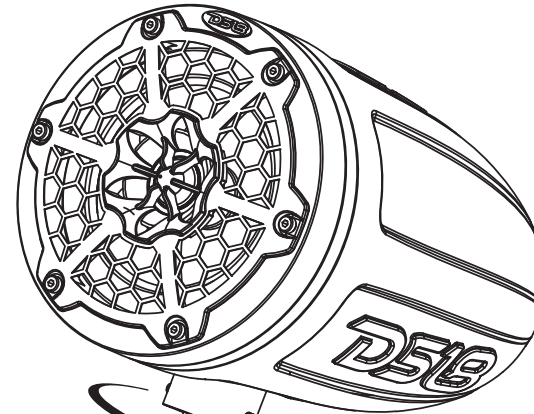


## INSTALLATION



Step11: When you want to install by flat mounting, remove the clamp and take out the 6 core with terminal through it into flat mounting bracket, then assemble it , see depiction below.

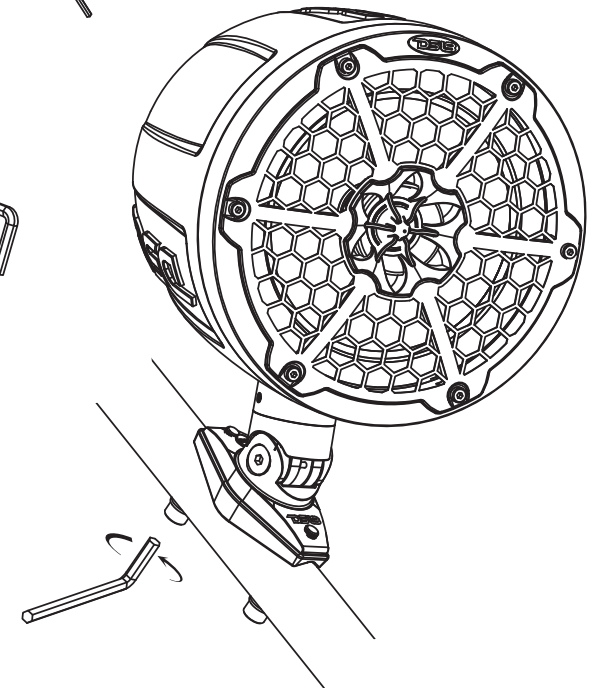
FRONT LOGO CAN ROTATION



TUBE MOUNTING

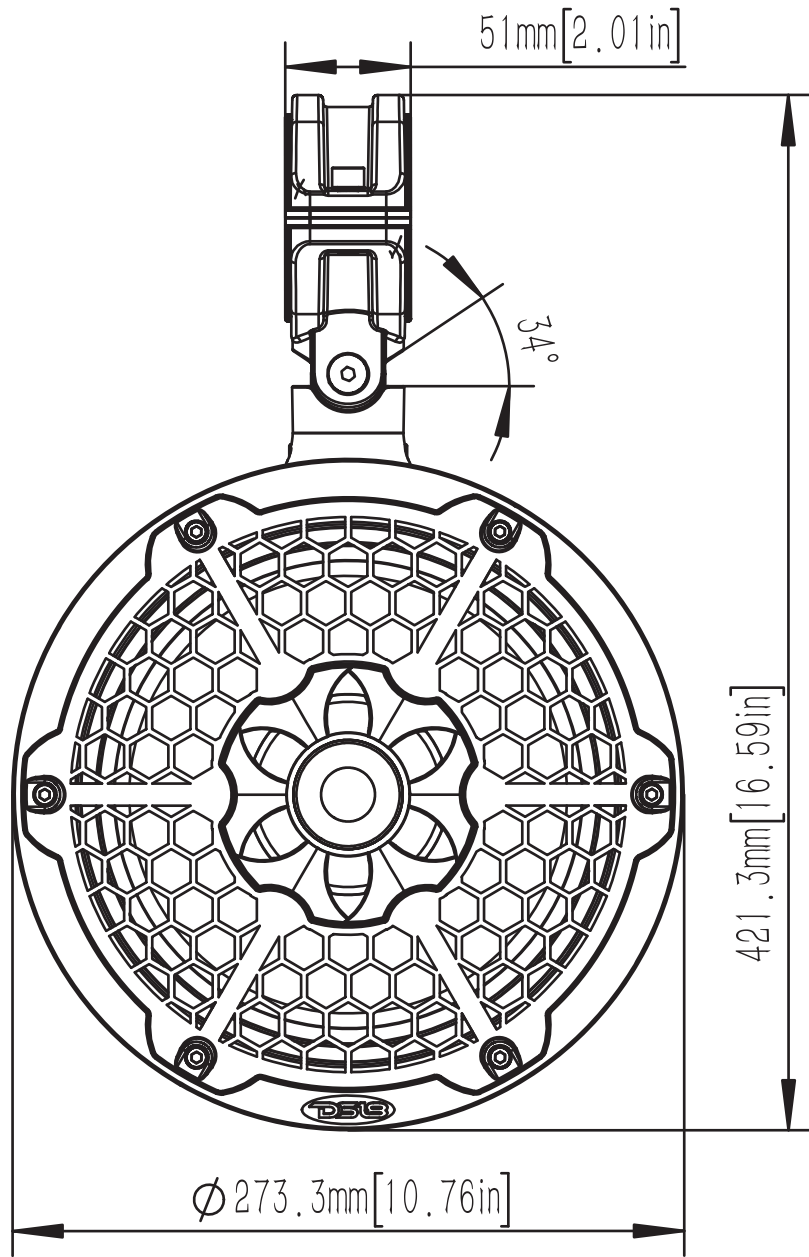
30 Degree Rotation

FLAT MOUNTING





# DIMENSIONS



# DIMENSIONS

