



DMW807

INSTALLATION/OWNER'S MANUAL

Wakeboard Tower Speakers with
8" Woofer and 1" Titanium Dome Tweeter

illuminITE®

Dual®



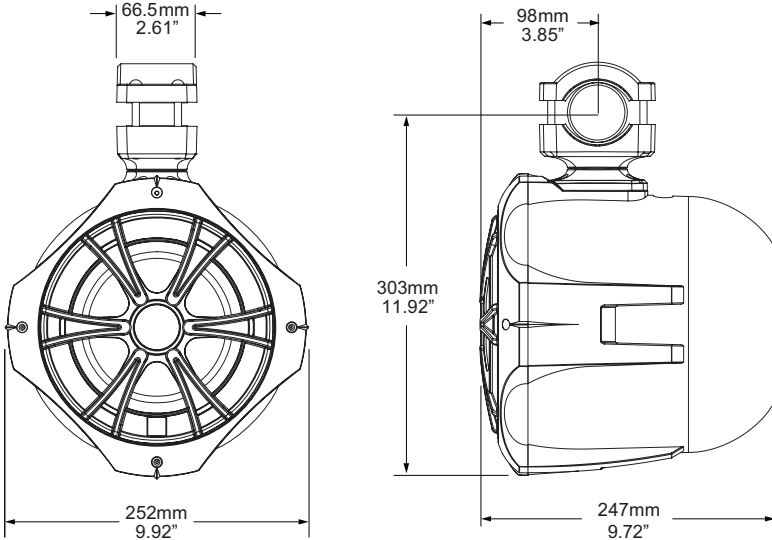
Preparation/Installation

Please read entire manual before installation.

Before You Start

- Disconnect negative battery terminal. Consult a qualified technician for instructions.
- Use extreme caution when drilling holes to avoid damaging fuel lines, hydraulic lines or existing wiring.
- If additional wiring is required, we recommend that you run all wires prior to mounting your speaker in place.
- Use the highest quality connectors for a reliable installation and to minimize signal and power loss.
- Use caution before you drill or cut! Be careful not to cut or drill into gas tanks, fuel lines, hydraulic lines, vacuum lines or electrical wiring.
- Avoid running wires over, near, or through sharp edged surfaces. We suggest you also use rubber grommets to protect any wires routed through metal.

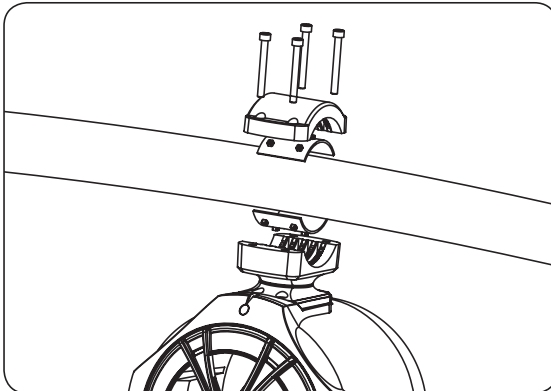
Dimensions



Clamp Mounting

The included clamping system is designed to support structures that utilize round tubing. Oval tubing and flat structures will not work with this clamp. The clamp can be used with tube diameters from 1.5" up to 2.75". Separate bushing sets for all tube sizes at 1/8" increments are included. Refer to the table below to determine optimal configuration.

Tube Diameter	Tube Circumference	Clamp	Top Bushing	Bottom Bushing
1.54	.71A		1.50	1.50
1.6255	.10A		1.63	1.63
1.75	5.50	A1	.751	.75
1.8755	.89A		none	1.88
.26	.28B		2.00	2.00
2.1256	.68B		2.13	2.13
2.25	7.07	B2	.252	.25
2.375	7.46	B2	.382	.38
2.57	.85B		2.50	2.50
2.6258	.25B		2.68	2.68
2.75	8.64	Bn	one	one

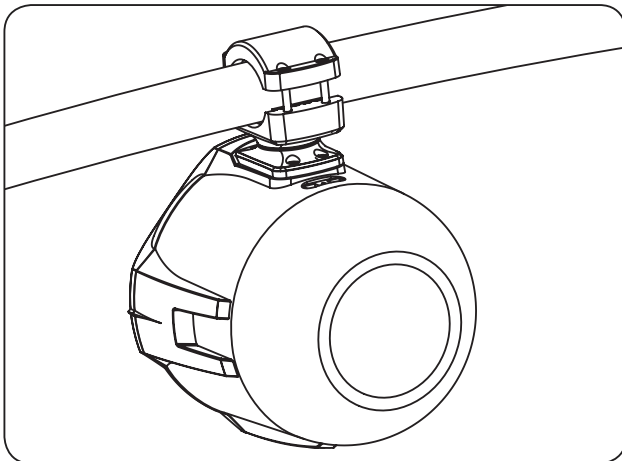
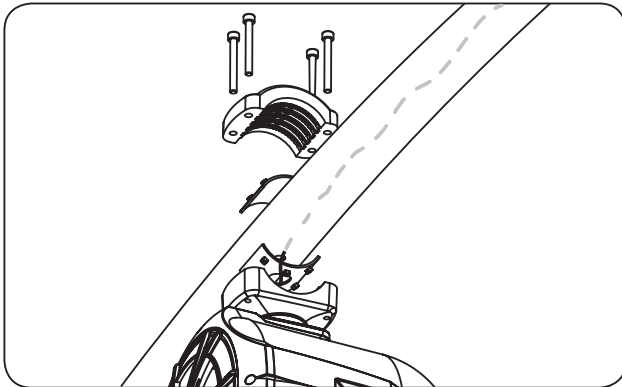




Wiring

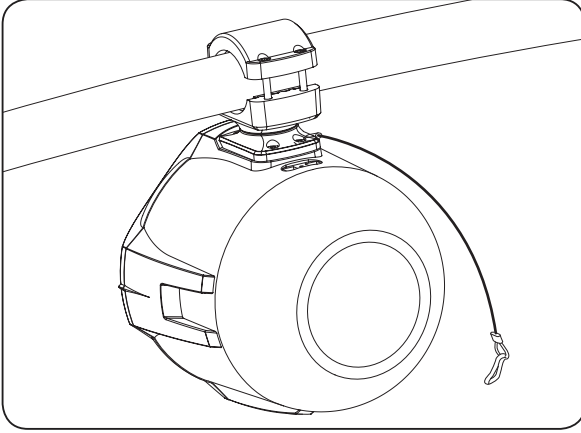
Carefully select a route for the audio signal wires. If using existing speaker wires, confirm that the wire is in good shape and not shorted. For the illumination wiring, route a positive and negative wire from a switched +12V source. Avoid routing wires through dangerous areas.

Black	Audio signal negative
Brown	Audio signal positive
Blue	Illumination negative
Yellow	Illumination positive



Safety Cable

The included safety cable is pre-installed on the unit.



Mounting Bracket Rotation

The mounting bracket rotates 360 degrees, allowing the speaker to rotate in any direction.

Step 1

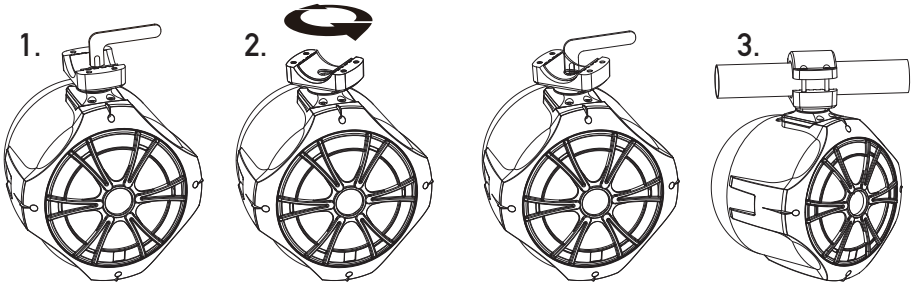
Loosen screw using the supplied tool.

Step 2

Rotate speaker to desired direction, then tighten screw to lock in place.

Step 3

Attach top bracket to bottom bracket using the four bolts. Make sure brackets are tightened all the way so there is no movement.





Specifications

Woofers type	IMPP (Injection molded polypropylene)
Woofers surround	Rubber
Woofers size	8"
Tweeter type	Titanium dome
Tweeter size	1"
RMS Power	100W
Peak Power	400W
Sensitivity	90dB
Frequency response	70Hz - 20kHz
Impedance	4 Ohms
Enclosure type	UV-resistant ABS plastic

Design and specifications subject to change without notice.