



MH200

INSTALLATION/OWNER'S MANUAL

Universal Marine Gimbal Housing





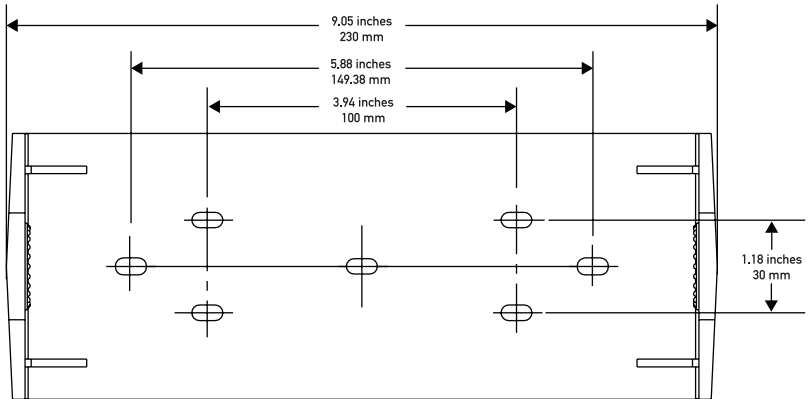
Preparation

Protect your marine head unit from damage and the harsh marine environment with the MH200 gimbal housing. This marine grade housing fits most single DIN size head units and provides full protection against splashes and debris.

Before You Start

- Disconnect negative battery terminal. Consult a qualified marine technician or service manual for instructions.
- Due to differences in head units, it is recommended to temporarily mount head unit in the gimbal housing before installation to ensure the cover will close properly.
- Use extreme caution when drilling holes to avoid damaging fuel lines or existing wiring.

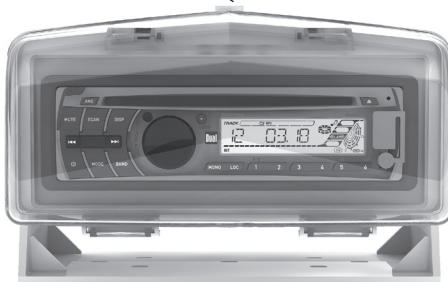
Mounting Bracket Dimensions



Opening and Closing the Gimbal Housing

- Press the release button on top to open the cover and access the head unit.
- To close, fold the cover up and press until it clicks into place.

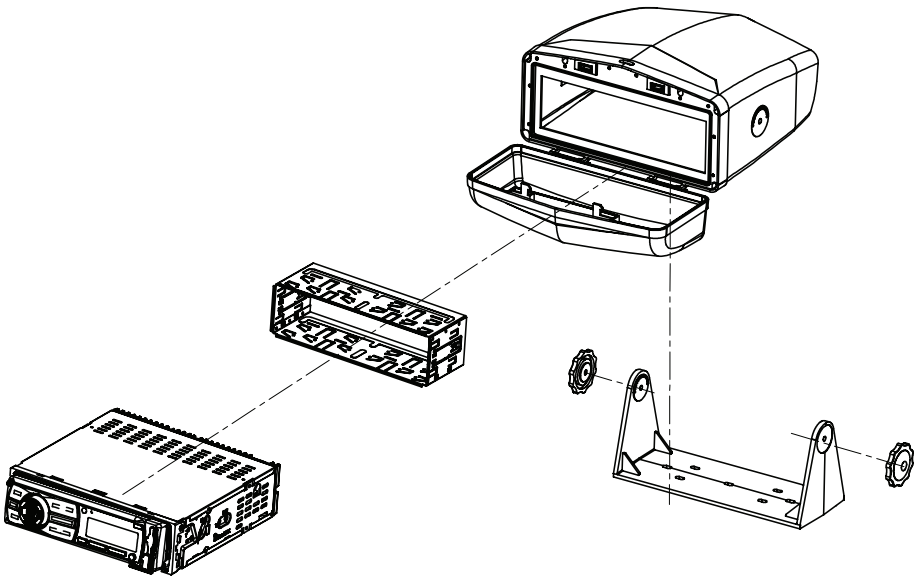
Release Button



Mounting

Mounting

- Prepare surface for mounting the gimbal housing bracket. For maximum installation flexibility, the gimbal housing bracket can be mounted to any flat surface or it can also be suspended.
- Use the bracket as a template and mark and drill the holes for the mounting bracket. Use caution before you drill or cut! Be careful not to cut or drill into gas tanks, fuel lines, hydraulic lines, vacuum lines or electrical wiring.
- Secure the mounting bracket using supplied hardware. Attach gimbal housing by inserting the thumbscrews through the bracket and into the gimbal housing. Adjust the desired angle and hand tighten the thumbscrews. Do not overtighten the thumbscrews.
- Route all head unit wiring to the gimbal housing. Using a suitable tool, carefully cut an "X" in the desired rubber grommet. The grommets are interchangeable between the left and right sides of the gimbal housing.
- Install mounting sleeve (supplied with head unit) into gimbal housing. This may vary depending on head unit manufacturer and installation instructions. Refer to head unit owner's manual for details.
- Connect head unit wiring and test for correct operation.



TYPICAL MOUNTING
*Head Unit not included.