

# SG3/SG4/SG5

---

**INSTALLATION/OWNER'S MANUAL**  
Universal Marine Splash Guard





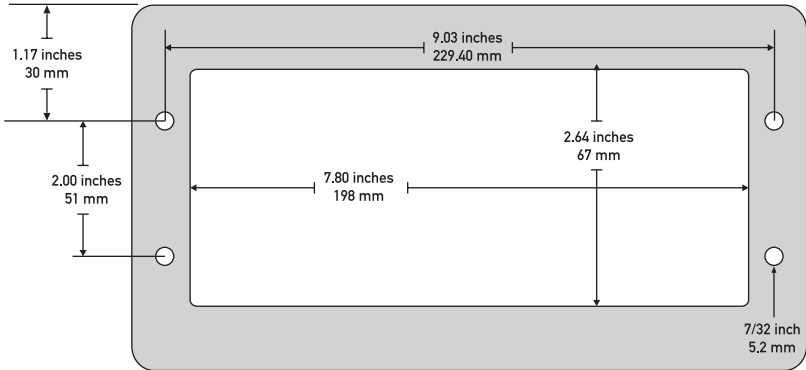
## Preparation

Protect your marine head unit from damage and the harsh marine environment with the SG3/SG4/SG5 splash guard. This marine grade cover fits most single DIN size head units and will protect against splashes and debris.

### Before You Start

- Disconnect negative battery terminal. Consult a qualified marine technician or service manual for instructions.
- Due to differences in head units, it is recommended to temporarily mount head unit in splash guard before installation to ensure splashguard cover will close properly.
- Use extreme caution when drilling holes to avoid damaging fuel lines or existing wiring.

### Cutout Dimensions



### Opening and Closing the Splash Guard

- Press the release button on top to open the cover and access the head unit.
- To close, fold the cover up and press until it clicks into place.

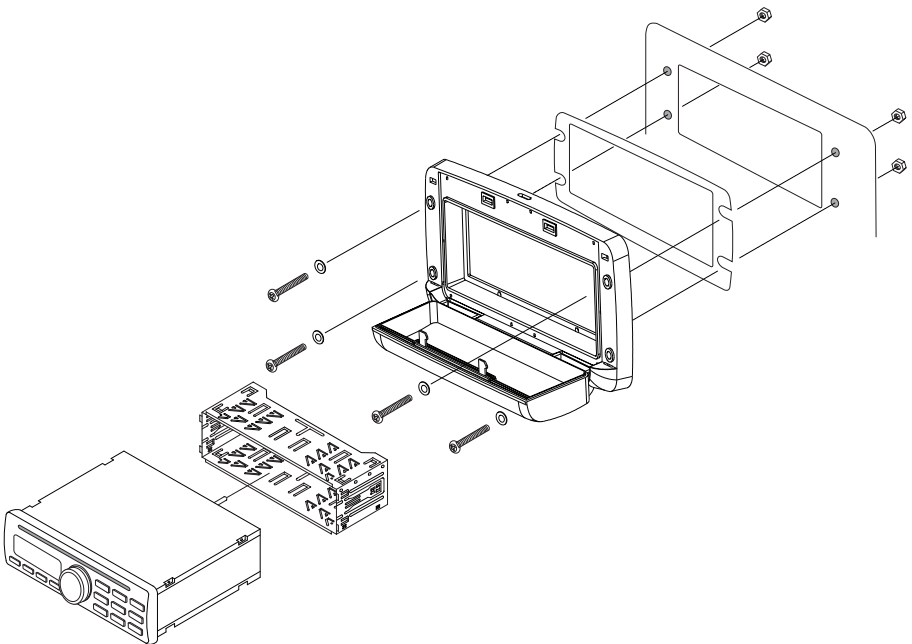
Release Button



## Mounting

### Mounting

- Open splashguard and detach side covers by pulling outward from the inside of side cover.
- Insert supplied mounting bolts through washers and into mounting holes as shown below.
- Place gasket between back side of splash guard and mounting surface and secure the splash guard in place with supplied nuts.
- Install head unit into splash guard opening. This may vary depending on head unit manufacturer and installation instructions. Refer to head unit owner's manual for details.
- Reattach side covers by aligning them and pushing firmly into place.



**TYPICAL MOUNTING**  
**\*Head Unit not included.**