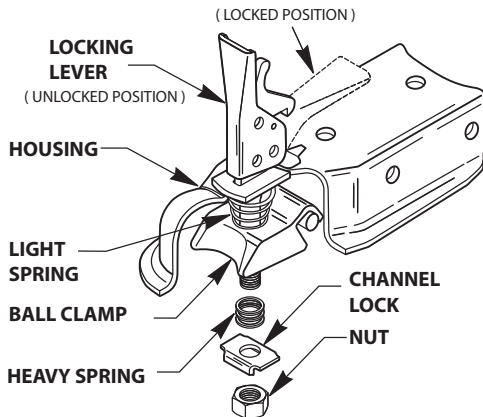


**This repair kit fits Dutton-Lainson
Company 2" coupler models 980,
981, 982, 985 and 990 only.**



Assembly Instructions

1. Assemble all parts as shown in diagram above. Locking lever must be in the unlocked position during assembly. Make certain that channel lock flanges are down and fit over flats on nut.

2. Adjust coupler to ball by raising channel lock and turning nut with fingers. Proper adjustment is obtained when coupler is as tight as possible on ball and locking lever can still be opened and closed. Check adjustment frequently and tighten if necessary.

⚠ WARNING: Every time coupler is used, make certain ball is completely engaged in socket and coupler is securely locked. Failure to do so could result in serious or fatal injury.

Safety Chains must be used. Cross safety chains under coupling allowing only enough slack for turns.