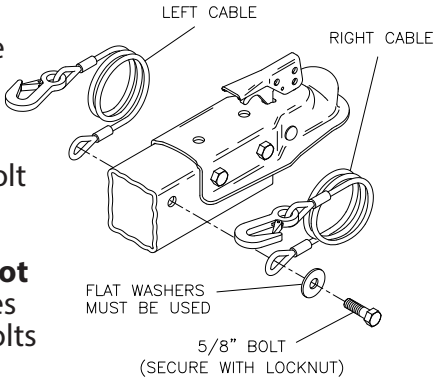


Installation

These safety cables must be mounted with a 5/8" dia. bolt or bolts and 5/8" flat washers and locknuts (not included). One long bolt through the tongue or two shorter bolts may be used. SAE and V-5 standards do **not** allow attaching safety cables or chains using the same bolts used for the coupler.



Looking for dependable boat trailer parts? Rely on Dutton Lainson for quality and long-lasting products.