



# Model 6354 & 6355 Roller Bunks

## ! IMPORTANT SAFETY INFORMATION

To prevent damage to bunks and/or boat:

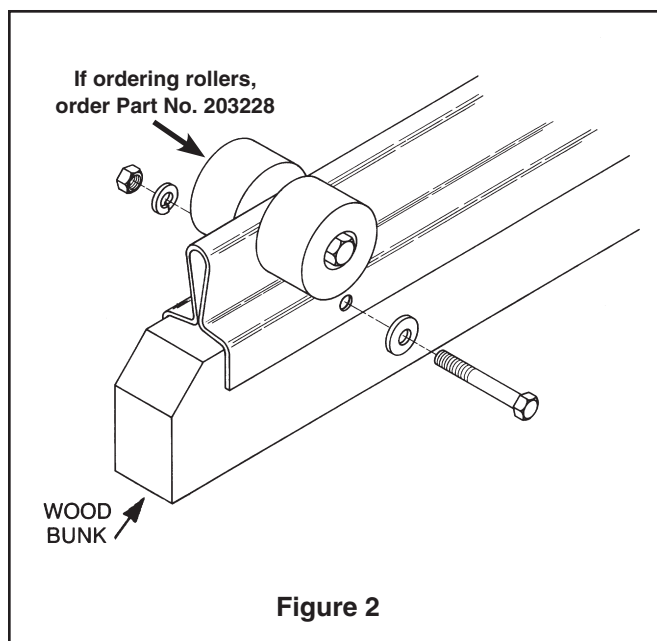
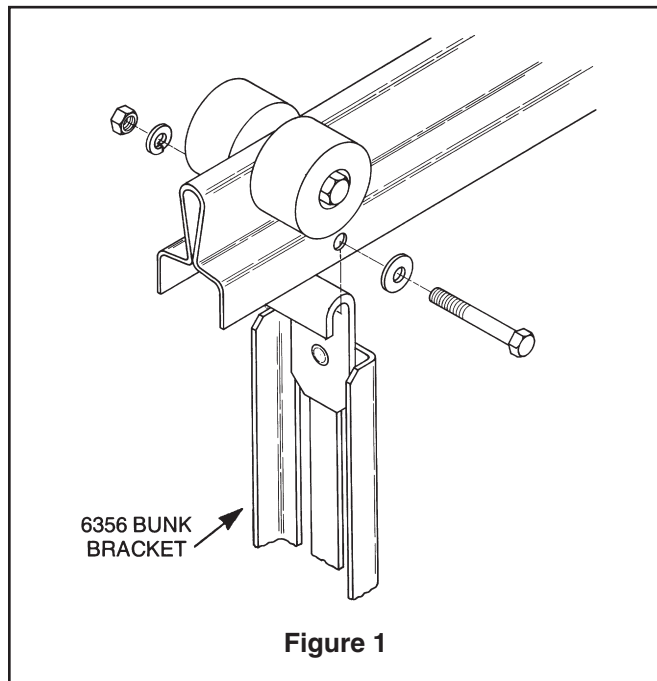
1. Never exceed rated capacity of bunks. Capacity is based on good contact with all rollers and even distribution of weight on rollers.
2. Back into water far enough to allow boat to float part way on or off trailer.

## INSTALLATION INSTRUCTIONS

The DL Model Nos. 6354 and 6355 roller bunks are made to replace or fit onto conventional carpeted wood bunks. Mounting hardware (not included) should be 3/8" cap screws, flat washers, lock washers and nuts.

If the roller bunks are replacing wood bunks, simply remove the wood bunks from the mounting bracket and replace with the roller bunks. The roller bunks are equipped with several sets of mounting holes, but drilling an additional set of holes to match existing bracket locations may be necessary. Note that on some trailers the wood bunks lay flat (horizontal) rather than upright (vertical). If this is the case, you may need to replace the bunk brackets. The DL Model No. 6356 roller bunk bracket is specifically made to be used with the No. 6354 and 6355 roller bunks (see Figure 1). These have a pivoting feature that allows the roller bunk to conform to the hull of the boat. If the wood bunks are standing upright (vertical), you should be able to use your present bunk brackets, but this may not hold true in all instances, because some manufacturers make brackets to different dimensions. If this is the case, DL No. 6356 brackets are recommended.

The roller bunks could also fit directly onto carpeted wood bunks, if they are standing upright (vertical). Simply place the roller bunk directly on top of the wood bunk and move it laterally to the desired position to best fit your boat hull. Using an electric drill and a 13/32" (or 3/8") drill bit, drill thru the wood bunks using the existing mounting holes in the roller bunks as your guides. Use 3/8" cap screws of appropriate length along with flat washers, lock washers and nuts for securing to the wood bunks (see Figure 2). NOTE: If this method is used, the roller bunks will be approximately 3" higher than the previous wood bunks. It may be necessary to lower the bunk brackets (approximately 3") to get the same height as before. NOTE: Rollers can be ordered as replacement parts. If ordering rollers, order Part No. 203228.



A Dependable Company Since 1886  
**DUTTON-LAINSON COMPANY**

MADE IN  
U.S.A.

Discover other boat trailer parts on our website.