



# DLx-P ROUND JACK



**WARNING** READ INSTRUCTIONS CAREFULLY BEFORE ATTEMPTING TO INSTALL, OPERATE OR SERVICE THIS JACK. FAILURE TO COMPLY WITH INSTRUCTIONS COULD RESULT IN SERIOUS INJURY. RETAIN THESE INSTRUCTIONS FOR FUTURE REFERENCE.

## ASSEMBLY

**Bolted Swivel Mount** Assemble jack as shown in the parts drawing making sure that the protrusion in the center of the clover washer enters the center hole in the swivel plate. Tighten nuts evenly.

## MOUNTING

**Bolt-on** Place jack on trailer tongue in a location that avoids interference with the boat, trailer and tow vehicle during all conditions of use. Make sure the jack cannot contact the tow vehicle when making tight turns. Tighten all bolts evenly.

**Weld-on** Weld on jack brackets need to be installed by a competent welder. Determine location per instruction above. After bracket is painted, assemble jack according to the parts drawing and assembly instructions above.

## OPERATION

Check for full engagement of the swivel handle into the swivel plate before every use of the jack.

**WARNING** Use of a swivel type jack without the swivel handle completely engaged could result in the trailer tongue suddenly dropping and could cause personal injury.

When jack reaches either end of its travel do not force handle or damage to the jack will result. When moving trailer by hand, crank jack to lowest position. Do not use the jack as a convenient hand hold. Avoid rolling jack over rough or soft surfaces. Before towing the trailer, pivot the jack to horizontal position and be certain swivel handle is engaged.

**CAUTION** Loads in excess of rating shown on jack label will cause accelerated wear and possible failure. This jack is not for highway use. Never tow trailer with load applied to jack.

## MAINTENANCE

Minimal maintenance is required to keep your tongue jack looking new and in good working order. Protect the finish by keeping it clean and periodically applying a coating of wax. Lubrication is needed if the jack ever feels rough or produces a grinding noise when cranked. With weight off the jack, remove the plastic end cap. Remove pin (1)

holding handle in place. Carefully remove the bevel gear (2) on top of screw. Remove dowel pin (3) located under bevel gear. Carefully remove inner tube assembly. Do not attempt to remove screw from inner tube. Lubricate screw by working grease into entire thread. Reassemble and grease bevel gears.

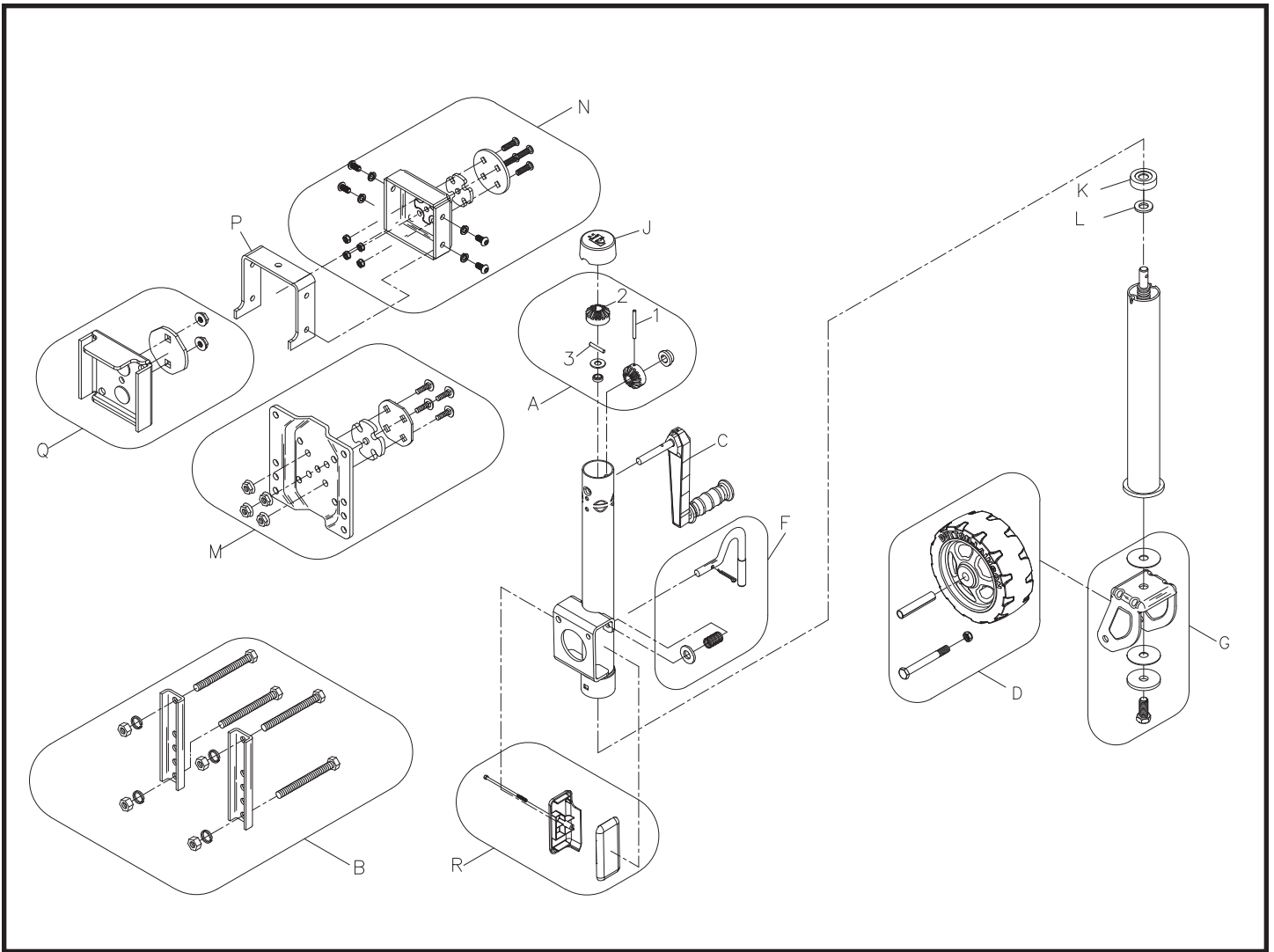


A Dependable Company Since 1886

**DUTTON-LAINSON COMPANY**

MADE IN  
U.S.A.

ISO 9001 Certified Q.M.S.



### DLx-P Round Jack Parts List

| Ref. | Description                           | Part No. |
|------|---------------------------------------|----------|
| A    | 6813A Miter Gear Kit                  | 5224399  |
| B    | 6804 Clamp & Bolt Kit                 | 5224431  |
| C    | 6811XP Jack Handle w/Pin              | 5222302  |
| D    | 6807W Wide 8" Wheel Kit               | 5223375  |
| F    | Swivel Handle 1/2" Dia. Kit           | 5224548  |
| G    | Wide 8" Wheel Bracket Ass'y           | 5223383  |
| J    | 6602XP Jack Cap & Screw               | 5222294  |
| K    | Thrust Bearing                        | 207121   |
| L    | Flat Washer                           | 207120   |
| M    | 6808XP Swivel Plate Kit 1/2" Black    | 5222310  |
| N    | Weld on Cover Bracket Kit             | 5222336  |
| P    | Threaded Weld On Strap                | 403580   |
| Q    | Short Weld on Bracket Assembly (6610) | 5227533  |
| R    | DLx-P Swivel Cover Bracket Kit        | 5223243  |

Learn more about boat trailer parts we have.