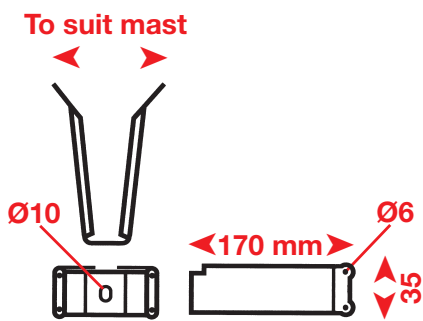
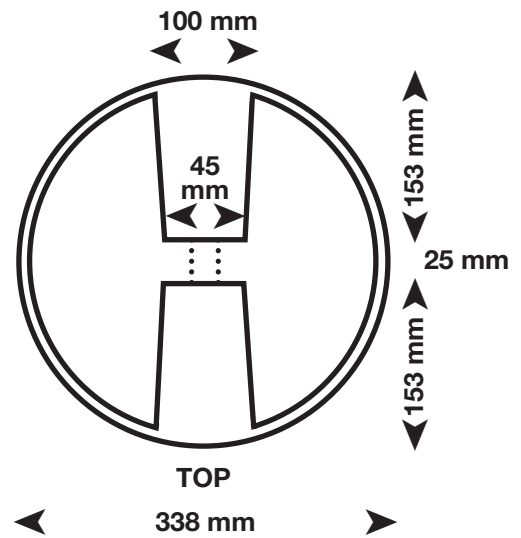
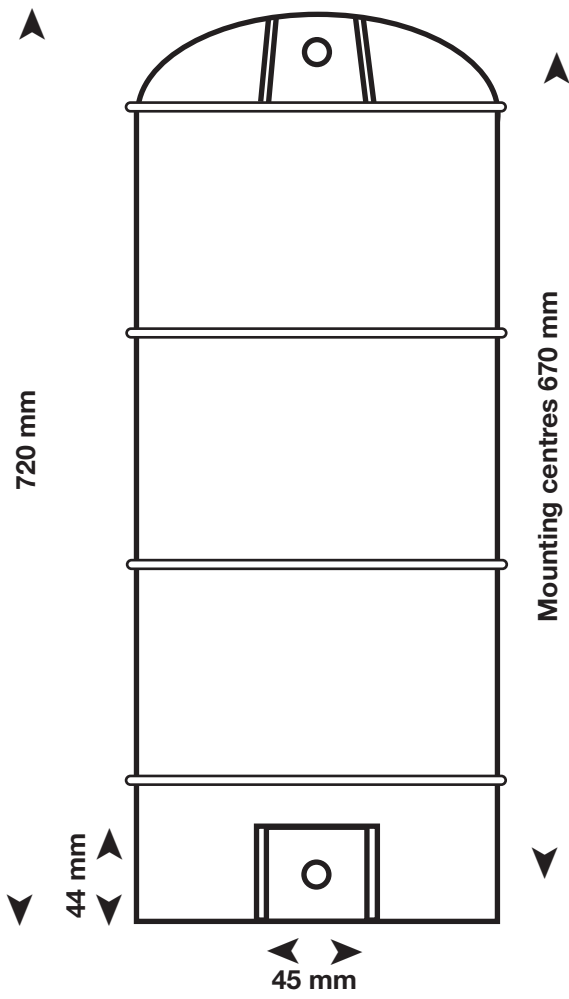
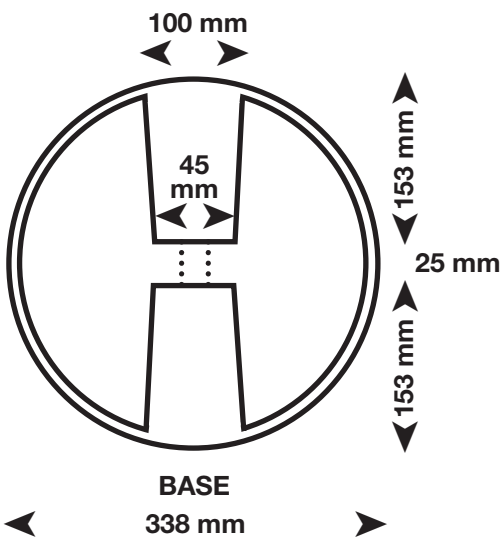


**EM305 DB**

**ECHOMAX EM 305PE**

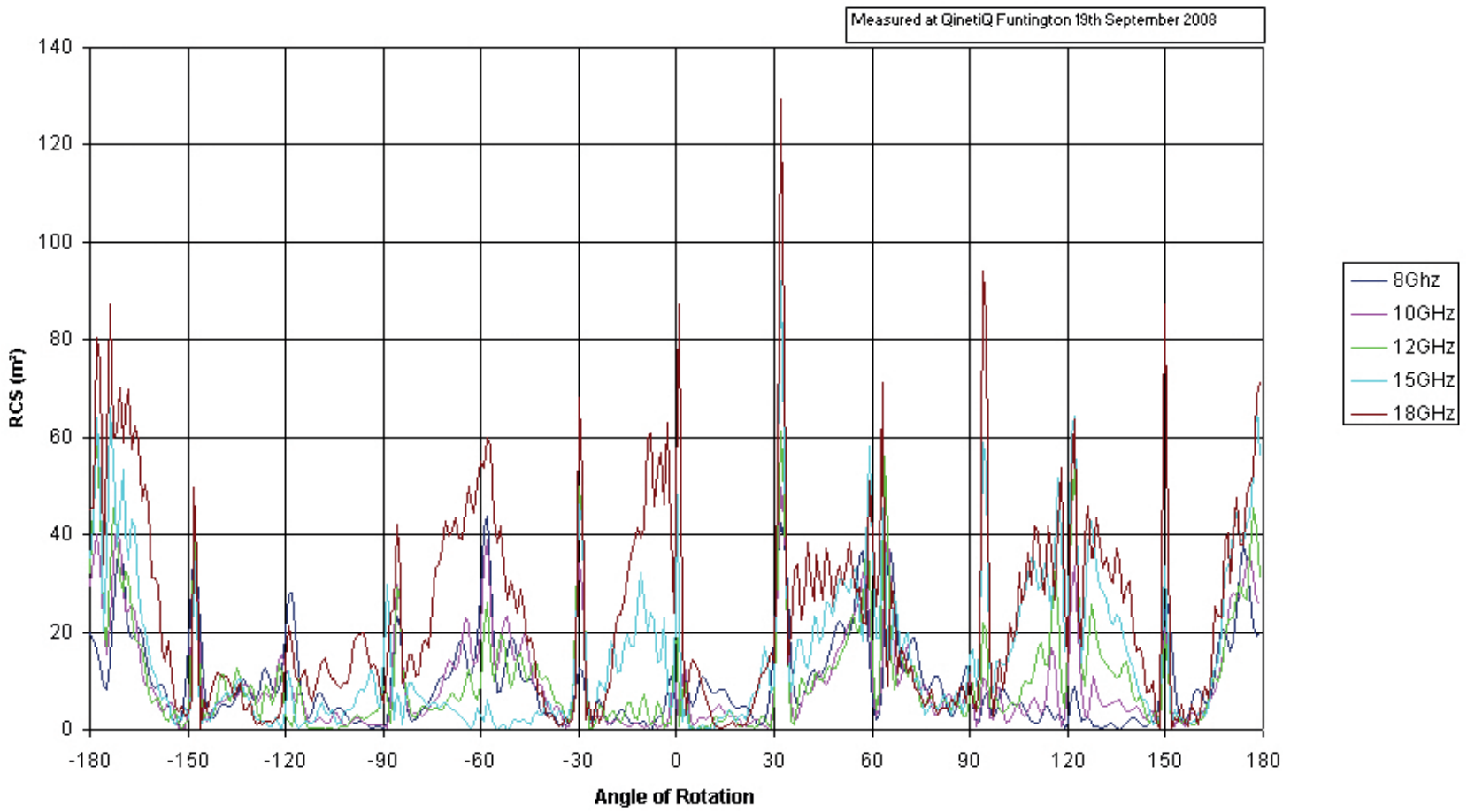


**EM305 MB**



Fixing Holes 10 mm or with stainless steel ferrules 8 mm

### Echomax 305 at 0 degrees elevation - serial number 12090



### RCS of Echomax 305 reflector, serial number 56

Maximum RCS = 51.7m<sup>2</sup>

Average RCS over +/-3 degs heel = 7.4m<sup>2</sup>

Measured at QinetiQ Funtington 11th October 2006

