



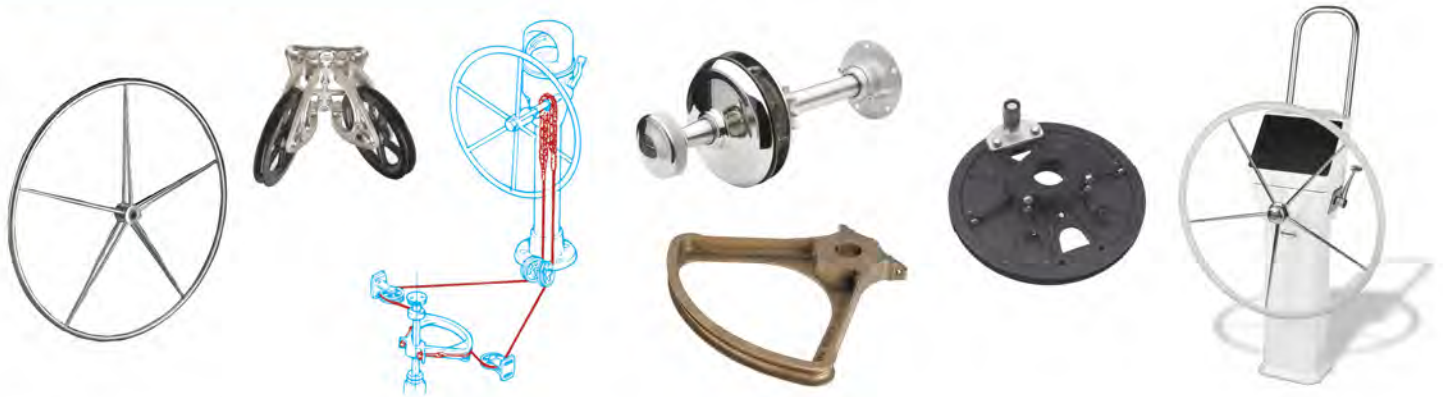
# MARINE ELECTRONICS MOUNTING SYSTEMS



# Edson is much more than steering!

## Sailboat Steering & Wheels

Our complete line of Steering Systems and Wheels for Sailboats is featured in this catalog, covering Pedestals, Chain & Wire, Quadrants, Sheaves, Engine Controls, Wheels and much more.



## Boating Accessories

Edson's selection of boating accessories for power or sail make your time on the water safer and more enjoyable for the whole family. From convenience items like Boarding Steps to simple luxuries like Leather Wheel Covers, we've got hundreds of products for your boat.



## Marine Pumps and Pumpout Systems

Since 1859, Edson has built pumps for marine use. From the very first Diaphragm pump to our modern pump out systems, we offer a full selection of pump and pumping products for your boat or marina.



## Powerboat Wheels & Accessories

---

Our full line of Powerboat Wheels, Power Knobs, Drink Holders and Accessories are regarded as the finest in the industry and will add style and elegance to any powerboat.



## Traditional Yacht Wheels and Systems

---

Edson's Traditional Steering Systems and Accessories catalog offers a host of gear for the traditional sailboat. Worm Gears, Rack and Pinion Steerers, Teak and Bronze Steering Wheels. Also included are Edson's Traditional Bronze Housemarkers and a host of Accessories for the traditional boatowner.



## Edson Foundry and Welding

---

Edson offers two custom fabrication facilities, in addition to our machine shop. The Edson Anbar foundry specialize in marine, architectural, and industrial aluminum and bronze castings. Edson Quality Welding specializes in marine, architectural, and industrial stainless welding and fabrication.



# Vision Series Electronics Mounting System

## EDSON<sup>®</sup> VISION SERIES

### EASY THREE STEP ORDERING

1  
Select Mount Style and Height



2  
Select REQUIRED Mounting Plate



3  
Select OPTIONAL Light Arm/Wing/Accessories



Edson's all-new Vision Series Electronics Mounting System is a revolutionary design that provides the simplest, most attractive solution to your electronics mounting requirements.

- All-new sleek, modern design
- First all modular system — extremely versatile
- Easy to select and install for any radar, dome, light or camera combination
- Easy to add accessories - Light Arms, Mounting Wings, Extensions
- Upgradable for future additions and modifications
- Powder Coated Marine-Grade Aluminum Construction



Select Mount Style and Height

**NEW!**

**Aft Angled Radar or Satellite Dome Mounts**

- 6", 12", 18", 24" and 36" tall
- Aft Raked 30 degrees
- 7" diameter base on #6801, #6802
- 10.5"W x 10"L base on #6803, #6804, #6805



6" - #68010



12" - #68020



18" - #68030



24" - #68040



36" - #68050



**6" Mount**  
Shown with mounting plates and optional Light Arm and Anchor Light.

**Aft Angled Heavy Duty Open Array Mounts**

- 6" and 12" tall
- Aft Raked 30 degrees
- 7" diameter base on #6801
- 10.5"W x 10"L base on #6812



6" - #68010



12" - #68120



**12" Heavy Duty Mount**  
Shown with mounting plates and optional Antenna Mounting Wing, Antenna Extension, Light Arm, Anchor Light and GPS Mount.

*Dimensioned drawings of products available online at [www.edsonmarine.com/navcom](http://www.edsonmarine.com/navcom)*

**Vertical Radar, Satellite, Dome Light, or Camera Mounts**

- 3", 6", 12", and 18"
- Vertical
- Ideal for Radomes, Night Vision Camera and Spotlights
- 7" diameter base on #6873 and #6874.
- 10.5"W x 10"L base on #6875.

**Light Arm Attachment available**



6" - #68730



12" - #68740



18" - #68750



**Light Arm Attachment not available**



3" - #68930



6" - #68900



6" Angled - #68770  
(16 degree angle)



12" - #68910



18" - #68920



**#68730 - 6" Vertical Mounts**  
Shown with electronic-specific mounting plates

**See Pages 7-8 for Required Antenna Mounting Plates and Optional Accessories**

# Vision Series Electronics Mounting System

## Dual Mounts

- For Radar Dome/Sat Dome or 4' Open Array/Sat Dome
- 18" Height (sat dome) and 24" Height (open array)
- Aft Raked 30 degrees
- Two Mounting Plates Required (Open Array should only be mounted on lower arm)
- 10.5"W x 10"L base

**NEW!**



**#68200 - 18" Height**  
for Radar Dome/Sat Dome



**#68250 - 24" Height**  
for 4' Open Array/Sat Dome



**Dual Mount**  
Shown with mounting  
plates and Light Arm  
and Anchor Light.

## Triple Mounts

- First production Triple Mount
- For Radar Dome/Sat Dome or 4' Open Array/Sat Dome + Spotlights, Cameras or Night Vision
- 36" Height
- Aft Raked 30 degrees
- Three Mounting Plates Required (Open Array should only be mounted on lower arm)
- 10.5"W x 10"L base

**NEW!**



**#68300**  
for Radar Dome/Sat Dome



**#68350**  
for 4' Open Array/Sat Dome



**First Production Triple Mount!**  
Shown with mounting plates and  
optional Antenna Mounting Wing,  
Antenna Extension, Light Arm,  
Anchor Light and GPS Mount.

## Custom Mounts

- Designed and built to match your requirements
- For Radar Domes/Sat Domes, Open Arrays, Spotlights, Cameras, Night Vision, or any other electronics components

## Select required Mounting Plate(s) by electronics manufacturer



### UNIVERSAL FIT

	ITEM#
2/4kW and Broadband Radars, 14" dia. (most brands and models)	#68500
Universal Mounting Plate, 10.625" dia. (no pre-drilled holes)	#68870
Universal Mounting Plate, 15" dia. (no pre-drilled holes)	#68860

### ACR

ACR RCL-100, RCL-50 Series Lights - 7" dia. (not for light arm)	#68680
---	--------

### B&G

B&G Broadband Dome (BR24 & 4G)	#68530
--------------------------------	--------

### FLIR

FLIR Navigator II - 7" dia. (not for light arm)	#68700
FLIR M-Series - 7" dia. (not for light arm)	#68710
FLIR M-Series - 10.625" dia.	#68620
FLIR MD-Series - 7" dia. (for use with light arm)	#68721

### FURUNO

Furuno 15" - 24" Radar Domes 2/4 kW	#68510
Furuno 4' / 6' Open Array Radar	#68510*

### GARMIN

Garmin 18" & 24" HD Dome 4 kW Radar	#68520
Garmin 4' / 6' Open Array Radar	#68560*

### GEONAV

Geonav GRH4D Radar Dome	#68510
Geonav GRH44&45 Open Array	#68570*

### INTELLIAN

Intellian i1, i2, i3	#68600
Intellian i4, K4, d4	#68590
Intellian i6, K6, d6, S60, FB500	#68610
Intellian FB150, FB250	#68720

### KVH

KVH M1, M2, M3, V3	#68600
KVH M5, Trac 50	#68590
KVH M7, HD7, TracPhone V7, FB500	#68610
KVH FB150, FB250 for 10.8" and 13.5" diameter domes	#68720

### LOWRANCE

Broadband 20" Dome and 2kW Radar Dome	#68530
Lowrance HD 4kW Radar Dome (LRA2400)	#68540
Lowrance 4' / 6' Open Array Radar	#68570*

### NOBELTEC

	ITEM#
Nobeltec IR2-4D Dome, IR2-4x, 6x, 12x Array	#68850*

### RAYMARINE

Raymarine 2/4 kW Radar Dome	#68550
Raymarine 4' / 6' Open Array Radar	#68580*
Raymarine 33 & 37STV	#68600
Raymarine 45STV	#68590
Raymarine 60STV	#68610
Raymarine T-Series Night Vision - 7" (not for light arm)	#68710
Raymarine T-Series Night Vision - 10.625"	#68620

### SEA KING

Sea King 15	#68600
Sea King 18	#68590

### SEA TEL

Sea Tel C14	#68600
Sea Tel C18-24, ST-24	#68590

### SIMRAD

Broadband 20" Dome and 2kW Radar Dome	#68530
Simrad HD 4kW Radar Dome (DX64S)	#68540
Simrad 4' / 6' Open Array Radar	#68570*

### SI-TEX

Si-Tex 2/4 kW Radar Dome	#68510
Si-Tex MDS-10 4' Open Array Radar	#68570*

### THRANE & THRANE

Thrane & Thrane FB150, FB250	#68720
Thrane & Thrane Sailor FB500, Fleet 55+	#68610

\* Open Array Radars must only be mounted to Heavy Duty Open Array Mounts - #6801, #6812, 6" Vertical mount #6873, lower arm on #6825 Dual Mount, or lower arm on #6835 Triple Mount. Please contact Edson if your brand or model is not shown.

**Choose optional Tower Accessories on the next page.**

# Vision Series Electronics Mounting System

## Select optional Adapters, Light Arms, Mounting Wings and Accessories

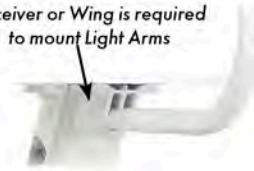
#68630



#68790



Receiver or Wing is required to mount Light Arms



### LIGHT ARM RECEIVERS

Light Arm Receiver for aft angled mounts

Light Arm Receiver for vertical mounts

### ITEM#

#68630

#68790

### ANTENNA MOUNTING WINGS

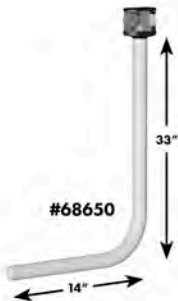
Antenna Mounting Wing for aft angled mounts

Antenna Mounting Wing for vertical mounts

### ITEM#

#68640

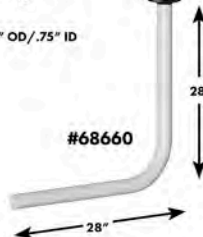
#68800



#68650

Shown with optional Anchor Light

Arm tubing is 1" OD / .75" ID



#68660

### LIGHT ARMS

Light Arm for Radar Domes and Sat Domes

Light Arm for Open Array Radars

### ITEM#

#68650

#68660



#980-3-100



#67400



Mounts to Light Arm (not included). Shown with optional Anchor Light and Antenna.

### ANTENNA / LIGHT EXTENSIONS

3" Antenna Extension for Wing

13" Antenna Extension for Wing

GPS Mount with Light Extension

### ITEM#

#980-3-100

#980-13-100

#67400



#67600



#68810



#67550

### ADDITIONAL ACCESSORIES

Wedge Kit for 0-4° angle adjustment - 7" diameter

Vision 4 degree wedge for under mounting plate

Mast Mount Platform Standoff for Spinnaker Track (pair)

### ITEM#

#67550

#68810

#67600



#67500



#67510

### 12V ANCHOR / STEAMING LIGHTS

Perko Anchor / Steaming Light (incandescent) - 50" pigtail

Atwood Anchor / Steaming Light (LED) - 72" pigtail

### ITEM#

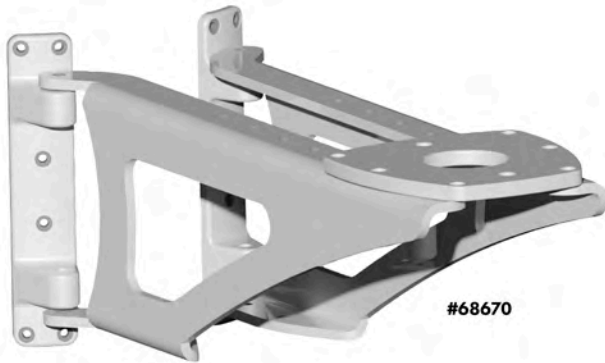
#67500

#67510



### Mast Mount

- For Sailboats and Trawlers
- Swivel Feet fit most masts
- Rivets Included



#68670

### Radar Platform Features

- Multiple designs to fit specific manufacturers Radomes and Satellite antennas
- Lightweight aluminum construction with white powder coat finish
- Designed for installation with feet attached to the mount for fast and accurate installation
- Unique feet designed for proper fit to a wide range of mast profiles
- Rivets included for mast attachment

**Choose REQUIRED Antenna  
Mounting Plate on pg 7.**



Universal Mounting Feet fit  
most common masts



# Vision Series Electronics Mounting System

Edson RADAR POLES are a convenient way to mount your radar antenna as well as many other navigation and communications antenna in one location. Built of lightweight marine-grade aluminum, the EDSON VISION SERIES POLE SYSTEM can be mounted to virtually any boat. Whether you own a costal cruiser, offshore voyager or race boat, Edson has a combination that will match your boat and radar. Each tower is customizable for each owner's needs. There is no other system on the market today that has the versatility of Edson's Radar Poles.

**NEW!**



## Features:

- No expensive custom fabricating or machining required.
- Easy to disassemble.
- Low maintenance.
- Mount radome, VHF, TV, Cellular Phone and GPS antennas all on one mounting area.
- Components are anodized and/or durable glossy white baked-on urethane coated.
- All radar platform, bases, antenna arms and support brackets are cast in Edson's own foundry using 356 T-6 aluminum.
- Can be fully customized with a complete range of accessories.
- Lightweight aluminum construction.
- Large variety of mounting and supporting methods available.
- Choose from an Edson pre-made Pole System or design your own Pole Mount with Edson components.

**See Page 7 for  
REQUIRED Antenna Mounting Plate.**

#67460

#67470

## Pole Mount Systems

- For Sailboats or Trawlers
- Uses same Mounting Plates and Accessories as all Vision Mounts
- See pg. 13 for additional support options.



### Basic Pole - #67460

- Anodized Aluminum pole
- 90" tall x 2-3/8" dia.
- 1" Rail Support Bracket
- Deck Mount Base Flange
- Includes top casting #6882

### Deluxe Fixed Pole - #67470

- White powder coated aluminum pole
- 144" tall x 3-1/2" dia.
- 55" Fiberglass thru-deck mounting tube
- Includes top casting #6882

## Poles Only

Edson Radar Masts are available in either the Deluxe 3 1/2" (89 mm) diameter or Standard 2 3/8" (60 mm) diameter. They are both heavy wall Aluminum Pipe. The Deluxe Masts have a durable white baked-on urethane coating that matches the platforms. The Standard Masts have a brushed anodized finish. Masts are available in the following lengths:

### 3 1/2" Diameter Deluxe Masts

Length	Order #
18"	983-35-18
90"	983-35-90
144"	983-35-144

(All Deluxe Masts require Adapter #981-23-35).

### 2 3/8" Diameter Standard Masts

Length	Order #
18"	983-23-18
90"	983-23-90
138"	983-23-138



## Pole VISION SERIES Fixed Top Casting Only

Convert your existing 2-3/8" or 3-1/2" Edson Radar Pole to our new Vision Series style by simple adding the Top Casting and your choice of Adapter Plate and Accessories.



ITEM#

Vision Series Universal Top Casting for Pole Mounts

#68820

## Manual Radar Leveling Kit

Edson's new Vision Series™ Manual Leveling Radar Poles come in either 2-3/8" or 3-1/2" diameter and feature a simple, manual tilt adjustment to level your radar antenna while sailing on a heel. With a simple click of a button, you can adjust for 12.5 degrees or 30 degrees angle in either direction.

**NEW!**

### Integrated Hinge/Plate Mount

- Fits both 2-3/8" and 3-1/2" poles
- Accepts Edson's full range of Vision Series Antenna mounting plates (sold separately - see pg 7)
- Provides mounting location for optional Light Arms, Wings, and other Vision Series Tower Accessories (see page 8).



### Adjuster Rod

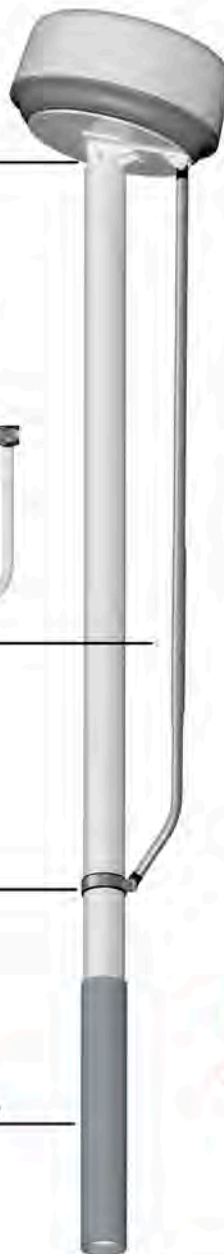
- Easy push-button and slide adjustment
- 12.5 degrees and 30 degree stops on each side

### Clamp-On Attachment

- No Drilling required
- Polished Stainless
- Rubber bushing protects pole

### Radar Pole and Mounting Hardware sold separately

- Visit [edsonmarine.com/navcom](http://edsonmarine.com/navcom) for full line of poles and mounts for your boat.



2-3/8" Mast Version  
Order #67480

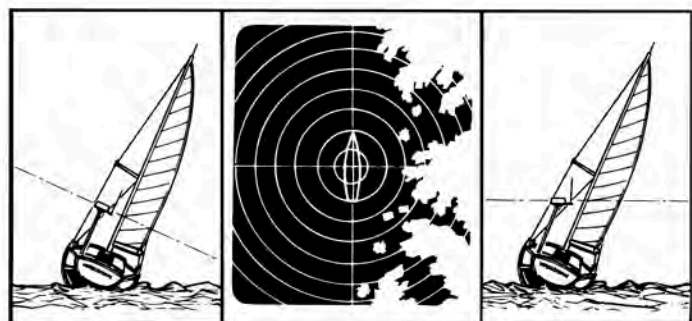


3-1/2" Mast Version  
Order #67490

**Radar Pole, Mounting Platform, Supports and Accessories sold separately.  
See pages 7, 8 and 13.**

### How Heel Angle Affects Radar Performance

These diagrams indicate an extreme effect on radar performance. However, it is important to note that height of the radome off the water, height of the target, and angle of heel, are all important variables to consider. On most tower mounted radars on sailboats the effects are usually minimal, as the radome is close to the water.



## Electric Leveling Pole Mount Kit

**NEW!**



Allows up to 30 degrees heel in both directions.

### Electric Platform Leveling Kit

For the ultimate in radar performance. Kit includes 12 volt ball screw actuator with mounts for mast and platform, hinge for mast articulation, wiring harness, switch panel with circuit breaker. Fits 3-1/2" diameter mast only.

Order #999-35-EL



Weather Resistant Switch with Circuit Breaker



### Advantages over Gimballed Systems:

- Less movement of radome
- More stable in a seaway
- Won't work-harden wiring due to constant movement.
- Can be manually adjusted to your angle of heel.
- Can be used with split backstay and un-stayed rigs
- Requires no disassembly to un-step for transport or storage

**Radar Pole, Mounting Platform, Supports and Accessories sold separately. See pages 7, 8 and 13.**

## Pole Mount Accessories



### Cockpit Flood Light

Turn night into day with this powerful 12-volt sealed beam, Halogen light. Mount on forward or aft sides of all Edson Radar Platforms. Weatherproof & shock-resistant housing. Also mounts on bulkheads wherever extra light is needed. Order #987-35



### Heavy Duty Lifting Crane

Save your back while lifting a small outboard or other gear from your dinghy or deck. Features either a 15" (38cm) or 30" (76cm) reach and 150 lb. capacity. Swings through 180° with adjustable topping lift. Tackle has 4 to 1 advantage.

30" Lifting Crane - Order #977-30 (Shown)

15" Lifting Crane - Order #977-15

**NEW!**



#998-35  
for 3-1/2" Poles

#998-23  
for 2-3/8" Poles

### Radar Pole Mounting Clamps

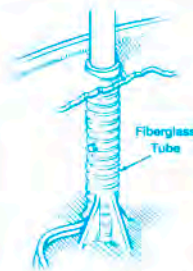
Use these stainless mounting clamps to attach lights, support struts, a lifting crane, or other accessories. They feature a rubber gasket split design for a secure fit and can be positioned anywhere along the length of the pole without removing pole from the boat.

For 3-1/2" Poles - Order #998-35

For 2-3/8" Poles - Order #998-23

**See Page 8 for additional OPTIONAL Accessories.**

## Base Mounts



The most popular and versatile mounting system is the Thru-Deck Tube Mount. A heavy-duty fiberglass tube is simply fitted through a hole in the deck and fiberglassed to the underside of the deck and the hull. The mast slides into the tube and is pinned to prevent rotation. This installation is fast and facilitates easy seasonal removal. The tubes are available for the 3½" Deluxe or 2½" Standard masts and are easily cut to fit any hull form.

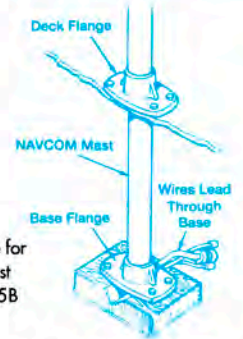
Deck Flange for  
2-3/8" Mast  
#978-23-35D



Deck/Base Flange  
for 3-1/2" Mast  
#978-35-6B



Base Flange for  
2-3/8" Mast  
#978-23-35B



### Thru-Deck Flange Mount

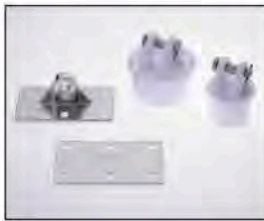
Another system for thru-deck mounting uses a pair of specially designed Mounting Flanges. The standard 2½" mast uses Flanges that are both 3" x 5". The Deluxe Flanges are 6" in diameter. The Thru-Deck Flange is bored so the mast will pass straight through. The Base Flange has a shoulder to support the bottom of the mast. Edson suggests that large washers or backing plates be used when securing these Flanges to the deck or hull structures.

**Deck Flange for 2-3/8" Mast - Order #978-23-35D**

**Base Flange for 2-3/8" Mast - Order #978-23-35B**

**Deck Flange for 3-1/2" Mast - Order #978-35-6D**

**Base Flange for 3-1/2" Mast - Order #978-35-6B**



### Folding and Pivoting Base Mounts

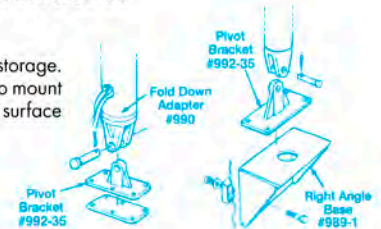
Fold-Down Towers are perfect for trailer boats, low bridge clearance and end of the season storage. By using a Pivot Bracket and Fold-Down Adapter with your Standard Radar Mast, you can also mount your radar on a raked transom or coaming side. Use Right Angle Base if mounting to a vertical surface and folding tower fore and aft.

**Fold-Down Adapter for 2-3/8" Mast - Order #990-23**

**Fold-Down Adapter for 3-1/2" Mast - Order #990-35**

**Pivot Bracket w/ Backing Plate - Order #992-35**

**Right Angle Base - Order #989-1**



## Secondary Supports



### Support Struts

Adds strength and stability to all Edson radar masts. Complete with Flat Surface Pad Eye (#979-22). Shown with optional Dual Strut Adapter.

**24" Strut - Order #984-24**

**87" Strut - Order #984-87**

(Custom Lengths Available)



### Dual Strut Adapter

Allows attachment of two Edson Support Struts (#984) to a single Pad Eye (#979) or Strut Bracket (#997-23). Can support spread to 90°.

**Order #993-2-90**



Secure your mast with struts with this easy-to-install and fully adjustable Strut Bracket. Four 90° positions. No drilling required. Cast 356 T6 Aluminum with Edson's durable glossy white baked-on urethane powder coating. Available for 2½" Mast Only.



### Rail Mount Strut

Ideal for adding stability to stern mounted towers. Complete with high strength stainless clamp for 1" or 1-1/4" diameter rail and strut.

**8" Strut for 1" rail - Order #974-85-100**

**24" Strut for 1" rail - Order #974-24-100**

**8" Strut for 1¼" rail - Order #974-85-125**

**24" Strut for 1¼" rail - Order #974-24-125**  
(Custom Lengths Available).



### Universal Strut Pad Eye

Can be attached to masts with backing pad or fastened to any flat surface. 2½" x 2½" pad with ⅝" tang to match Edson struts.

**Flat Surface Pad Eye - Order #979-22**

**2½" Mast Pad Eye - Order #979-23-22\***

**3½" Mast Pad Eye - Order #979-35-22\***

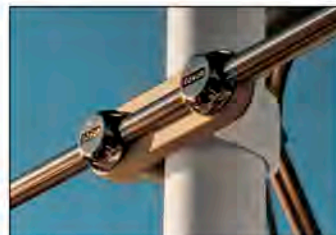
\* Supplied with pad and fasteners.



### Rail Support Bracket for 2¼" Radar Mast

Designed to give support to a 2¼" Radar Mast along any 1" horizontal railing. Mast must be mounted within 1" of railing.

**Order #988-23-100**



### Rail Support Bracket 3¼" Radar Mast

Designed to give any Edson 3¼" Radar Tower more support, this cast aluminum bracket has a durable white glossy baked on urethane coating and is padded to provide a secure, rattle-free installation. It can be mounted to any flat surface or attached to any 1" diameter railing.

**Rail Mounting - Order #988-35-100**

**Surface Mounting - Order #988-35-8**



### Side Mount Top Support Bracket

Gives you the ability to support the mast against a bulkhead, cabin side or vertical transom. For 2-3/8" mast only. Cast Aluminum with durable glossy white baked-on urethane powder coating.

**Side Mount Bracket - Order #988-23-10**



Top Support  
Bracket

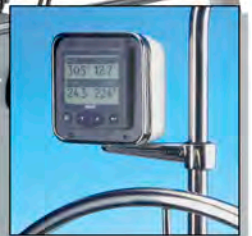
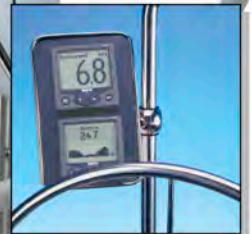
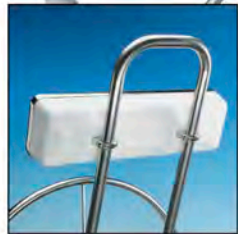
## The Vision Series™

- Easily mounts to Pedestal Guards or Consoles.
- Angled For Easy Viewing
- Stainless Trim Ring for Protection
- White High-Gloss Thermoformed ABS Housing
- Instruments mount to removable faceplate for easy service
- UV resistant - won't fade or crack
- Mounts to 1", 1-1/8" or 1-1/4" Pedestal Guards
- Weatherproof
- Fits Straight, Angled and Offset Guards
- Conceals and protects instrument wiring
- Multiple mounting options for maximum versatility
- Beveled housing design allows for additional room for plug and wiring

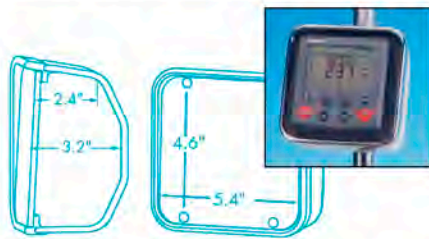
Safely and conveniently mount your instruments right at the helm! Edson's new Vision Series™ Instrument Housings look great, are strong and durable and will keep your sailing and engine instruments, autopilot controls, radar and chart displays and other important instruments within easy reach and viewing distance of the helmsman.



**Large Variety of  
Mounting Options!**



## Vision Series Instrument Housing Selection Guide

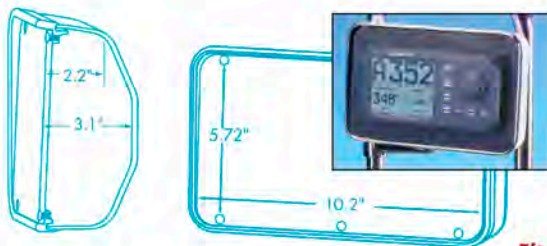


### Single Housing

Housing Only (5.9"W x 5.9"H x 3.7"D)  
 Housing with (1) Clamp-On Mount (shown)  
 Housing with (1) Side-Mount Arm  
 Housing with (1) Ball Mount  
 Replacement Faceplate (5.44" x 5.44")

Order #2000-55x55  
 Order #2010-55x55  
 Order #2020-55x55  
 Order #2030-55x55  
 Order #833-V55

*Accommodates most square wind, depth, speed instruments and autopilot control heads.*

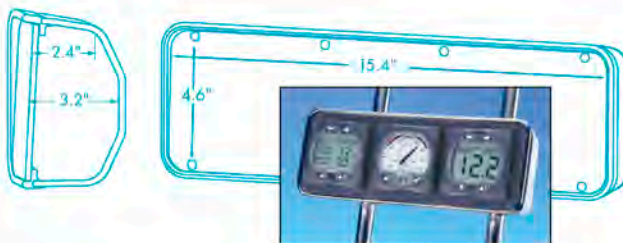


### Double Housing

Housing Only (10.7"W x 7.2"H x 3.5"D)  
 Housing with (1) Side-Mount Arm (shown)  
 Housing with (2) Ball Mounts  
 Replacement Faceplate (10.125" x 6.5")

Order #2000-105x65  
 Order #2020-105x65  
 Order #2030-105x65  
 Order #833-V105

*Fits two standard square instruments or one rectangular autopilot control head.*

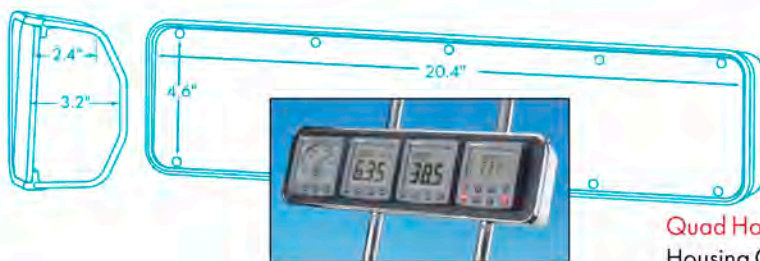


### Triple Housing

Housing Only (15.9"W x 5.9"H x 3.7"D)  
 Housing with (2) Clamp-On Mounts (shown)  
 Housing with (2) Ball Mounts  
 Replacement Faceplate (15.375" x 5.34")

Order #2000-15x55  
 Order #2010-15x55  
 Order #2030-15x55  
 Order #833-V15

*Perfect for most popular 3 sail instrument bundles.*



### Quad Housing

Housing Only (21.1"W x 5.9"H x 3.8"D)  
 Housing with (2) Clamp-On Mounts (shown)  
 Housing with (2) Ball Mounts  
 Replacement Faceplate (20.4" x 5.44")

Order #2000-205x55  
 Order #2010-205x55  
 Order #2030-205x55  
 Order #833-V205

*Ideal for 4 square sailing instrument packages.*

Dimensioned drawings show usable faceplate area between screw heads

### Optional Mounting Hardware

Clamp-On Mount  
 for 1" & 1-1/8" Guard Pipes  
 #861-100



Clamp-On U-Mount  
 for 1", 1-1/8" & 1-1/4" Guard Pipes  
 #861-100-125



Ball Mount  
 for 1", 1-1/8" & 1-1/4" Guard Pipes  
 #831ST-BALL



Side Mount Arm  
 1", 1-1/8" & 1-1/4" Guard Pipes  
 #830ST-100-125



# Instrument Housings & Mounts

The compact design of the new LCD Radars make them ideal for use in the cockpits of sailboats. However, their mounting options are limited and critical wiring is often exposed. That's why Edson has designed Custom Housings for Radar and Chartplotter Displays. They add a ship shape appearance, protect the back of the displays, and provide a more robust mount. They allow Pedestal, Overhead, Deck/Bulkhead, Console, and Pod Arm Mounting Options.

**NEW!**



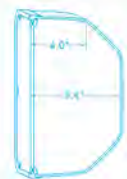
## Compact Chartplotter Housing

Housing Only (10.7"W x 7.2"H x 5"D)  
Housing with (1) Side-Mount Arm (shown)  
Housing with (2) Ball Mounts  
Replacement Faceplate (10.125" x 6.5")

Order #2000-105x65D  
Order #2020-105x65D  
Order #2030-105x65D  
Order #833-V105

### Fits these displays:

Raymarine E-7    Garmin: 740 Series    Simrad: NSS7



## Small Radar/Chartplotter Housing

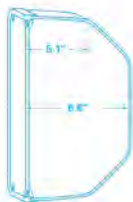
Housing Only (10"W x 10"H x 5.6"D)  
Housing with (2) Ball Mounts  
Replacement Faceplate (9.5" x 9.5")

Order #2000-10x10  
Order #2030-10x10  
Order #833-V10

### Fits these displays:

Furuno: NN vx2 7", 1623, 1715  
Lowrance: HDS-5, HDS-7

Garmin: 421, 441, 521, 541, 740  
Raymarine: A50, A57, A70



## Medium Radar/Chartplotter Housing

Housing Only (14.4"W x 10.2"H x 7.1"D)  
Housing with (2) Clamp-On Mounts (shown)  
Housing with (2) Ball Mounts  
Replacement Faceplate (13.9" x 9.6")

Order #2000-10x14  
Order #2010-10x14  
Order #2030-10x14  
Order #833-V14

### Fits these displays:

Furuno: NN3D MFD8, GP7000  
Lowrance: HDS-8, HDS-10  
B&G: Zeus 8

Garmin: 4208, 4210, 5208, 6208  
Raymarine: C70, C80, C90W, E80, E90W  
Simrad: NSE8, GB40 10", NX40, AP50, NSS8



## Large Radar/Chartplotter Housing

Housing Only (15.6"W x 13"H x 7"D)  
Housing with (4) Ball Mounts (shown)  
Replacement Faceplate (15" x 12.4")

Order #2000-13x15  
Order #2030-13x15  
Order #833-V13

### Fits these displays:

Furuno: NN vx2 10.4", 1835 10.4", MU120C  
Raymarine: C120, C120W, E120, G120  
B&G: Zeus 12

Garmin: 4212, 5212, 6212, 7212  
Simrad: NSE12, GB40 15"

Dimensioned drawings show usable faceplate area between screw heads

## Edson Vision Series Pedestals

Edson's Vision Series Pedestals are a great way to install your instrument displays right at the pedestal, within easy reach and out of your line of sight. Most models take up no more cockpit space than our Classic Pedestal, mount on existing bolt holes and can use your existing wheel. A great alternative to large housings on your pedestal guard!



Vision "NV"  
Order #490-NV-T



Vision "MH"  
Order #490-MH-T



Vision II  
Order #476B-T



Vision "MA"  
Order #490-MA-T



## Stainless GPS Mounts



**Edson's Stainless GPS Arm** puts your hand-held GPS securely and conveniently within reach on your Steering Pedestal Guard. The Arm is constructed of highly polished, investment-cast 316 Stainless and the mounting base is made of black, maintenance-free marine-grade polymer. Pre-drilled to fit the Garmin GPS Swivel Mount (shown), the Arm will also accept most other round GPS brackets up to 5" (12.7 cm) including Magellan and other Garmin units.

The Edson GPS Arm is designed to attach to all 1", 1 1/8" and 1 1/4" pedestal guard tubes by clamping the two pieces together around the guard tube without the need for removal of the tubes or any existing wiring. Center of the guard tube to center of the mounting base is 4 5/8" (11.7 cm).



### Description

**Stainless Arm only (no mounting base)** 830ST-100-125  
**Stainless GPS Arm with 3" Mounting Base\*** 830ST-3-100-125  
**Stainless GPS Arm with 5" Mounting Base** 830ST-5-100-125  
 \* 3" pre-drilled to fit Garmin marine mounts.

### Order #

## Stainless Horizontal Clamp-On Ball Mount

**Edson's New Stainless Clamp-on Ball Mount** for horizontal railing is ideal for mounting hand held GPS, phones or other instruments right on the pedestal guard or other horizontal rail, within easy reach of the helmsman and crew. Two sizes are available with either a 3" or 5" diameter poly platforms for mounting GPS brackets and other accessories. The 3" version is pre-drilled and topped to accept Garmin's Marine Mount for handhelds and small chartplotters.

**Horizontal Rail Accessory Mount - 3" - Order 831ST-3-DISK**

**Horizontal Rail Accessory Mount - 5" - Order 831ST-5-DISK**



## Stainless GPS Antenna Rail Mount



**Edson's Stainless GPS Antenna Rail Mount Arm** features a unique design that keeps your wiring completely hidden inside the mount and railing. The two-piece design clamps to any 1", 1-1/8" or 1-1/4" horizontal railing. Male 1"-14 threads accept most common GPS or VHF antennas. Cast of solid 316 stainless with rubber bushings.

**Stainless GPS Antenna Rail Mount - Order #831ST-1-14**



## Stainless Clamp-on Accessory Mounts



#832ST-7-125



#861ST-125



#832ST-3-125

**Edson's Stainless Clamp-On Accessory Mounts** allow you to mount drink holders instruments or nearly anything else that requires a secure location on the pedestal guard. For angled guards, they rotate and lock in place with set screws so you can mount your drink holder level or adjust the angle of your instrument. Highly polished solid 316 Stainless construction with adapter sleeves for 1", 1-1/8" and 1-1/4" guard pipes.

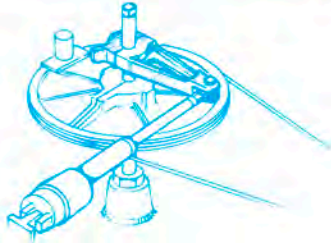
### Description

**Stainless Clamp-On Accessory Mount - 7" Platform** 832ST-7-125  
**Stainless Clamp-On Accessory Mount - 3" Platform** 832ST-3-125  
**Stainless Accessory Clamp only** 861ST-125

### Order #

# Autopilot Tiller Arm Adapters

## Bronze Tiller Arms



10" (254 mm)  
Autopilot Tiller Arm  
#926BR-10



15" (381 mm)  
Autopilot Tiller Arm  
#926BR-15

- Specifically designed for use with linear drive autopilot systems
- Keeps Autopilot independent of Steering System
- Makes Autopilot an "Electronic Emergency Tiller"
- Available in 10" (254 mm) and 15" (381 mm) lengths for use with most of the autopilots on the market today
- 1" (25 mm) wide slot to accept ball end fitted with 1/2" or 12 mm diameter pins
- Accommodates rudderposts to 5" (127 cm)
- Custom pin sizes are available upon request
- Constructed of Manganese Bronze or Anodized Aluminum
- Variable attachment points to allow for proper positioning of the attachment point of the autopilot

### NOTE!

Edson Tiller Arms are available in Bronze or Anodized Aluminum:

**Bronze** - used for cruising boats and boats with stainless or bronze rudderposts.

**Aluminum** - used for racing boats or boats with Aluminum or composite rudderposts.

See ordering guide for available sizes and materials.



### Important!

Edson highly recommends installing an autopilot independent of the primary steering system. This provides for a redundant/backup system in the event of steering gear or cable failure—in effect an "Electronic Emergency Tiller." Edson's Autopilot Tiller Arm allows the autopilot to be mounted independently of the primary steering system and should be used to attach an autopilot to the rudderpost.

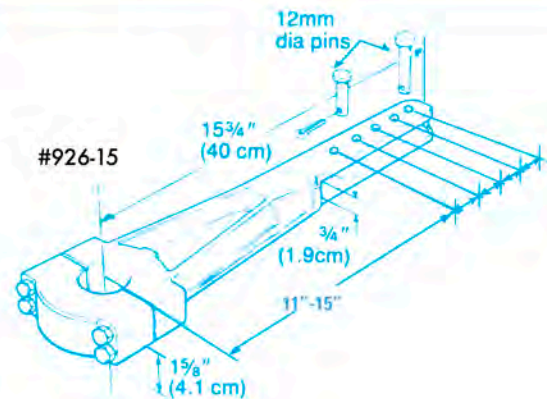
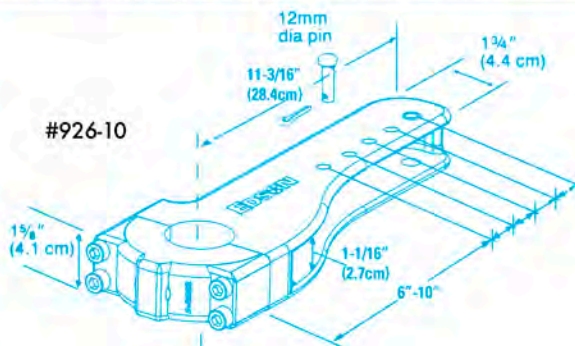
**IN NO CASE SHOULD THE AUTOPILOT BE ATTACHED DIRECTLY TO THE QUADRANT OR RADIAL DRIVE WHEEL!**

### BRONZE TILLER ARM ORDERING GUIDE

ORDER #	Tiller Arm Length		Pilot Bore		Max Bore		Max Keyway		Weight Each	
	inches	mm	inches	cm	inches	cm	inches	cm	lbs	kg
926BR-10-610-MKII	10	254	7/8	2.2	3/4	8.3	1/2	1.3	10.5	4.8
926BR-10-14-MKII	10	254	3/4	8.3	5	12.7	5/8	1.6	14	6.4
926BR-15-610	15	381	7/8	2.2	3/4	8.3	1/2	1.3	15	6.8
926BR-15-14	15	381	3/4	8.3	5	12.7	5/8	1.6	19	8.6
926BR-15-57	15	381	5	12.7	7	17.8	5/8	1.6	29	13

NOTE: Pilot Bore of "0" = solid casting - no pre-cast hole.

## Autopilot Tiller Arm Dimensions



## Aluminum Tiller Arms

- Designed for racing boats where weight savings is critical
- Solid Cast Aluminum Construction
- Black Anodized for durability
- For rudderposts up to 7" (175mm) in diameter



10" (254 mm)  
Autopilot Tiller Arm  
#926AL-10



15" (381 mm)  
Autopilot Tiller Arm  
#926AL-15

### ALUMINUM TILLER ARM ORDERING GUIDE

ORDER #	Tiller Arm Length		Pilot Bore		Max Bore		Max Keyway		Weight Each	
	inches	mm	inches	cm	inches	cm	inches	cm	lbs	kg
926AL-10-610-MKII	10	254	0	0	3 1/4	8.3	1/2	1.3	4.2	1.9
926AL-10-14-MKII	10	254	3 1/4	8.3	5	12.7	5/8	1.6	5.6	2.5
926AL-15-610	15	381	0	0	3 1/4	8.3	1/2	1.3	6.0	2.7
926AL-15-14	15	381	3 1/4	8.3	5	12.7	5/8	1.6	7.6	3.4
926AL-15-57	15	381	5	12.5	7	17.5	3/8	1.0	13.0	5.9

NOTE: Pilot Bore of "0" = solid casting - no pre-bored hole.

## Autopilot Tiller Arms for J-Boats



Because of their unique rudderpost shape, J-Boats require a specially shaped tiller arm. It is designed to clamp onto the fiberglass rudderpost directly above the Radial Drive Wheel. For J-Boats from 35' to 53'. Wt. 5.8 lbs (2.6 kg).

**Autopilot Tiller Arm for J-37, J-40, J-42, J-44, J-46, J-105, J-120, & J-130 - Order #836AL-J-12**

**Autopilot Tiller Arm for J-160 - Order #836AL-J-160**

**Tiller Arms are available for all J-Boats. Use #926AL if your boat is not listed and contact Edson for more information.**



J-Boat Autopilot Tiller Arm  
#836AL-J-12

## Tiller Arm Installation Information

### NOTE!

#### When Ordering Specify:

- Rudderpost Diameter
- Keyway size and location
- If a thru-bolt will be used instead of a key
- For additional installation information, please request Engineering Bulletin EB-97-373

### CHART TO DETERMINE AUTOPILOT ATTACHMENT POINT ON TILLER ARM

Ram travel	Distance from CL Rudderpost to CL Autopilot Attachment			Ram travel	Distance from CL Rudderpost to CL Autopilot Attachment		
	70° of rudder travel	80° of rudder travel	90° of rudder travel		70° of rudder travel	80° of rudder travel	90° of rudder travel
7" (17.8 cm)	6 1/16" (15.4 cm)	5 7/16" (13.8 cm)	5" (12.7 cm)	12" (30.5 cm)	10 1/2" (26.7 cm)	9 3/8" (23.8 cm)	8 1/2" (21.6 cm)
8" (20.3 cm)	7" (17.8 cm)	6 1/4" (15.9 cm)	5 5/8" (14.3 cm)	13" (33.0 cm)	11 1/2" (29.2 cm)	10 1/8" (25.7 cm)	9 13/16" (24.9 cm)
9" (22.9 cm)	7 7/8" (20.0 cm)	7" (17.8 cm)	6 3/8" (16.2 cm)	14" (35.6 cm)	12 1/8" (30.8 cm)	10 7/8" (27.6 cm)	10" (25.4 cm)
10" (25.4 cm)	8 3/4" (22.2 cm)	7 13/16" (19.8 cm)	7 1/8" (18.1 cm)	15" (38.1 cm)	13 1/6" (33.2 cm)	11 1/6" (29.7 cm)	10" (25.4 cm)
11" (27.9 cm)	9 5/8" (24.4 cm)	8 5/8" (21.9 cm)	7 7/8" (20.0 cm)	16" (40.6 cm)	14" (35.6 cm)	12 1/2" (31.8 cm)	11 1/4" (28.6 cm)

NOTE: Attachment point will ultimately be determined by the torque output of your autopilot versus your boat's rudder loads. Refer to your autopilot manufacturer's installation instructions for mounting distance of the autopilot drive arm along the tiller arm. Your autopilot must not be used as the rudderpost stop.

## Aluminum Drag Links

Edson Drag Links are the perfect solution for twin helm and twin rudder configurations. Turnbuckle-style adjustment and locking nuts provide a secure, custom fit.

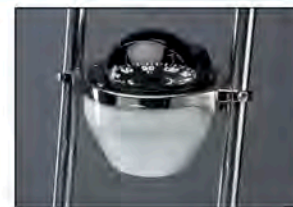
- Precision cut and machined from lightweight hexagonal Aluminum 6061 extrusion.
- Aircraft grade anodized alloy end fittings fit 5/8" pins
- Self aligning to 20 degrees at each end
- Custom cut to fit - order eye to eye length
- Max length 72"

**Aluminum Drag Link - Order #617CDI (Specify length eye-to-eye - see price page).**



# Marine Compasses and Accessories

The Magnetic Marine Compass is probably still the most important navigation instrument that you can have on any boat. Because Edson understands the importance of the proper installation of a compass you can be assured that all of our steering pedestals have been designed and manufactured to accept the wide variety of compasses without interfering with their sensitive magnets.



Compass Bowl #2150

## Flush Compasses

### For Use With Edson Vision Series™ Pedestals and #856 Compass Cylinders

**Flush Mount Compasses** can be mounted directly on an Edson Vision Series "MV" Pedestal or to a Classic Pedestal by using the #856 Compass Cylinders shown on page 21. These compasses have either 3 3/4", 4" or 5" dials with 5° increments, full internal gimbals, 45° lubber lines, night lighting in a movable sun shield and adjustable compensators. These Ritchie Compasses are available in either white or black finish.

**Flush Mount Compasses with 3 3/4" dials:**

- Ritchie Helmsman Black (shown) Order #658-HF-742
- Ritchie Helmsman White Order #658-HF-742W

**Flush Mount Compasses with 4" dials:**

- Ritchie Navigator Black Order #658-FN-201
- Ritchie Navigator White (shown) Order #658-FNW-201

**Flush Mount Compasses with 5" dials:**

- Ritchie SB500 (shown above) Order #658-SB-500

#658-FNW-201



#658-HF-742

## Binnacle Compasses

### For Edson 336, 402 and 464 Pedestals

**Binnacle Compasses** can be mounted directly to the Edson Classic Pedestals using the standard 4-bolt pattern on the top of the pedestal or optional Edson Engine Control Housing. Ritchie manufactures binnacle models with choices of 4 1/2", 5" or 6" dial sizes and optional finishes and materials. They all have 5° increments, built-in compensators, night lighting, full gimbals and 45° lubber lines.

**Binnacle Mounts with 4 1/2" dials for 336 & 337 Pedestals:**

- Ritchie Navigator Stainless Order #658-DNP-200
- Ritchie Navigator Black (shown) Order #658-DNB-200
- Ritchie Navigator White (shown) Order #658-DNW-200

#658-DNB-200



#658-SP-5C



#658-DNW-200

**Binnacle Mounts with 5" dials for 336 & 337 Pedestals:**

- Ritchie Globemaster SP-5 (shown) Order #658-SP-5C
- Ritchie Globemaster SP-5B Order #658-SP-5B

#658-D-515-EP



**Traditional Binnacle Mount with hood, 5" dials for 336 & 337 Pedestals:**

- Ritchie Globemaster Stainless (shown) Order #658-D-515-EP
- Ritchie Globemaster Brass Order #658-D-515-EX



#658-D-615-EX

**Traditional Binnacle Mount with hood, 6" dials for 402 & 464 Pedestals:**

- Ritchie Globemaster Stainless Order #658-D-615-EP
- Ritchie Globemaster Brass (shown) Order #658-D-615-EX

## Compasses Accessories

For details and a full range of compass accessories visit [edsonmarine.com](http://edsonmarine.com).



#669

#672-1



#694WH-6-45



#817-3.5

#817-1



#658-WS-P



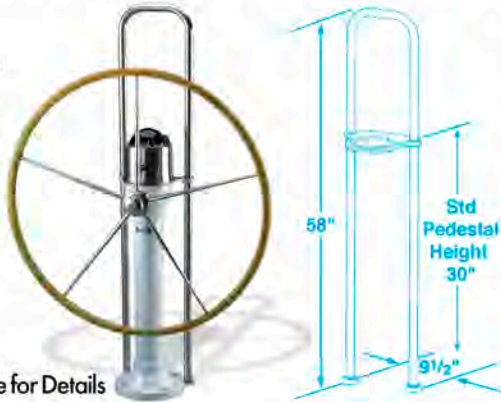
#856 WH-345

Edson's Pedestal Guards are designed to protect your compass and to provide a firm hand hold for your crew. The Guard is narrow enough for crew members to slide by and it affords extra protection on those boats with a mainsheet traveler just forward of the pedestal.

- Marine-Grade Stainless Construction
- Provides the ability to mount convenience items such as Cockpit Tables, Drink Holders, Chart Board, Instrument Housings, etc.
- All Edson Guard Kits come complete with Stainless Guard Tube, Stainless Top Plate and Stainless Guard Feet.
- Three versions to accommodate various instrument and housing combinations.
- Extra Large 1 1/8" Diameter Tubing on 9 1/2" (24.1 cm) wide centers gives more space for instrument wiring.

## 58" Straight Guard

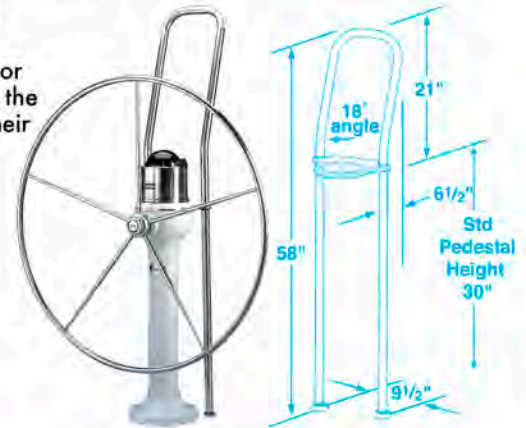
Provides protection for your compass, a convenient hand hold and the ability to mount Instrument Housings, Radar Pods or multiple displays while increasing their visibility.



Order #1600  
See Ordering Guide for Details

## 58" Angled Guard

Gives you extra room to install Instrument Housings, Radar Pods or multiple displays while the new angle increases their visibility.

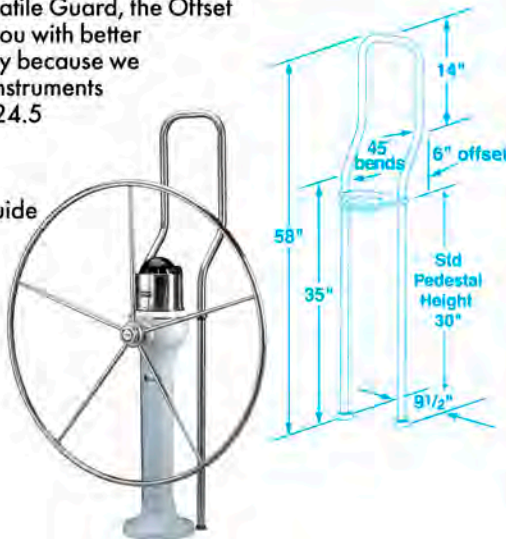


Order #1620  
See Ordering Guide for Details

## 58" Offset Guard

Edson's most versatile Guard, the Offset Guard provides you with better instrument visibility because we have moved the instruments forward by 7" (124.5 cm).

Order #1610  
See Ordering Guide for Details



## Replacement Stainless Top Plates and Guard Feet



Stainless Top Plate

Included with all Pedestal Guard Kits, Edson's Stainless Top Plate is made of Investment-cast 316 Stainless and polished to a mirror finish. It will accommodate 1", 1-1/8" and 1-1/4" pedestal guard tubing on 9-1/2" centers with the provided plastic bushings. These also provide rattle-free isolation between the stainless tubes and top plate, making removal in the future easier. It can be ordered separately, so you can upgrade your older pedestal with the white aluminum version.

Stainless Top Plate Only  
For 335 & 336 Pedestals - Order #1625ST-45  
For #400, 402 & 464 Pedestals - Order #1625ST-6



Stainless Guard Feet Kit - Order #310ST-100-125

Stainless Guard Feet  
Can also be ordered in pairs as a direct replacement for Edson's black plastic feet. Gasket and bushing allow for mounting 1", 1-1/8" or 1-1/4" guard pipes. Nuts and washers included.

## PEDESTAL GUARD KIT ORDERING GUIDE

Edson Pedestal Guard kits come complete with Stainless Guard Pipe, Top Plate and Feet. All are 9 1/2" wide on center. The Guard Top Plate fits directly on top of the Pedestal or Engine Control. The diameter of the Pedestal Bowl defines the proper kit size to order.

To Fit Pedestal	Pedestal Bowl Top Dia.	Order #			Stainless Top Plate Only
		58" Straight Guard Kit (Each includes Stainless Top Plate and Feet)	58" Offset Guard	58" Angled Guard	
335, 336, 337	6 7/8" (17.2 cm)	1600-45-58S	1610-45-58OS	1620-45-58A	1625ST-45
400, 402, 464 CDI Classic	8" (20.3 cm)	1600-6-58S	1610-6-58OS	1620-6-58A	1625ST-6
1 1/8" Guard Pipe Only	N/A	960-B-781	960-B-782	960-B-784	N/A
SS Guard Feet Only	N/A	#310ST-100-125 (for all sizes)			N/A

# Mounting Accessories and Boarding Step



## Stainless Antenna Standoffs

New instruments need new antennas, making Edson's Antenna Standoffs more popular than ever. These strong and attractive standoffs will limit the amount of wear and tear on your antennas while powering through rough seas. Made from investment cast 316 stainless, they will never break like plastic.

Fitting all antennas up to 1.5" in diameter, they are available in three sizes, virtually eliminating the need to shim the standoff or antenna base. The clasp is held closed with a quick release pin allowing for quick antenna take-down to go under bridges or for trailering. Each clasp is padded providing a secure, rattle free closure. The combination of a highly polished and vapor blast gray finish enhance the sleek, attractive styling.

Order by the desired stand-off distance (to center of antenna)

**3" Standoff - Order #535-3-125 Wt. 1.3 lb (.6 kg)**

**5" Standoff - Order #535-5-125 Wt. 1.5 lb (.7 kg)**

**7" Standoff - Order #535-7-125 Wt. 1.7 lb (.8 kg)**

## Flush Mount Brackets



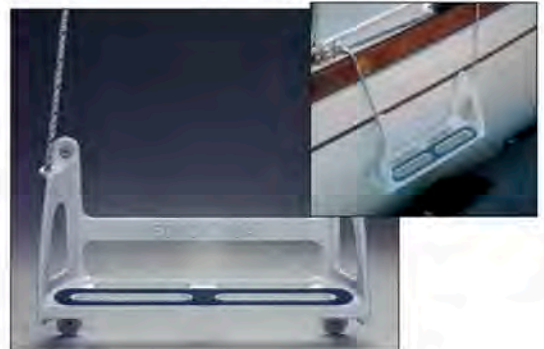
Edson "Flush Mount Kits" ease dash installations of VHF radios & larger display monitors. Stainless steel construction.

**Flush Mount Kit for VHF/Small Displays #6765**

**Flush Mount Kit for Large Displays #6770**

## Edson One-Step™ Boarding Step

If the deck of your boat seems to be getting higher and your dinghy seems to be getting lower, get Edson's "One-Step Boarding Step". Edson makes getting on board safer and easier. Cast in aluminum and coated with durable, glossy-white baked on urethane coating, this Step is designed to hang against the side of your boat. It has neoprene bumpers that won't mar your topsides, and the built-in handles give you a secure handhold. Comes complete with 6 ft. of braided line with stainless snap shackles. Wt. 5 lb (2.3 kg).



**One-Step Boarding Step with Line #520-14**

**One-Step Boarding Step without Line #520-14LL**

## Stern Rail Outboard Motor Mount

- Built to hold motors up to 100 lbs/45 kg.
- Convenient cleat and side handles allow you to tie the motor and lock it safely on board
- The non-corroding polished 316 stainless bracket with non-skid pad, bolted to the UV stable poly backing board always looks ship-shape... no more varnishing!
- Comes complete with hardware to attach to any standard 1" (2.5cm) or 1 1/4" (3.2 cm) stainless rail. Bottom cleat comes unattached so that it will fit any rail spacing

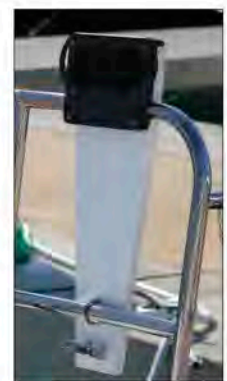
Note: 1 1/4" rail version comes complete with anodized aluminum bracket, stainless cleat, and stainless U-bolt for 1 1/4" railing. Wt. 10 lb (4.5 kg).

**Outboard Mount for 1" Railing #521-100ST**

**One-Step Boarding Step without Line #521-125AL**



Cast Stainless version for 1" Railing



Cast Aluminum version for 1-1/4" Railing

## Index by Product Name

Adapter Plates.....	7	Compass Accessories.....	21	Light Arms & Receivers.....	8	Radar Poles.....	10
Aft Angled Radar Mounts.....	5	Deck Flanges.....	13	Manual Radar Leveling Kit.....	11	Side Mount Arm.....	15
Anchor Lights.....	8	Display Housings.....	15	Most Mount Radar Brackets.....	9	Single Display Housings.....	15
Angled Antenna Mounts.....	5-6	Display Mounts.....	15	Navcom Tower Systems.....	4-13	Spinnaker Track Standoff.....	8
Antenna Arms.....	8	Double Display Housings.....	15	Open Array Antenna Mounts.....	5-6	Stainless GPS Mounts.....	17
Antenna Mounting Plates.....	7	Drag Links.....	19	Outboard Mount.....	22	Strut Pad Eyes.....	13
Antenna Mounting Wings.....	8	Dual Electronics Mounts.....	6	Pedestals.....	16	Support Struts.....	13
Antenna Standoffs.....	22	Electric Radar Leveling Kit.....	12	Pedestal Guards.....	21	Tiller Arms for Autopilots.....	18-19
Autopilot Adapters.....	18-19	Faceplates.....	15-16	Pedestal Guard Hardware.....	21	Triple Antenna Mounts.....	6
Ball Mounts.....	15-17	Flush Mount Brackets.....	22	Platforms.....	17	Triple Display Housings.....	15
Boarding Step.....	22	Folding Pole Mounts.....	13	Pods.....	14-16	Vertical Antenna Mounts.....	5
Chartplotter Housings.....	16	GPS Arm.....	17	Pole Mounts.....	10-13	Vision Series Pedestals.....	16
Clamp On Hardware.....	15	Heavy Duty Open Array Mounts.....	5	Pole Supports.....	16	Vision Series Instrument Housings.....	14-16
Cockpit Flood Light.....	12	Instrument Housings.....	14-16	Quad/Four Display Housings.....	15	Vision Series Electronics Mounts.....	4-13
Compass Bowl.....	20	Leveling Radar Kits.....	11-12	Rail Support Brackets.....	13	Wedge Kit.....	8
Compasses.....	20	Lifting Crane.....	12	Radar Housings.....	16		

## Index by Product Number

Product #	Page	Product #	Page	Product #	Page	Product #	Page
310.....	21	987.....	12	6760.....	8	6861.....	7
490.....	16	988.....	13	6765.....	22	6862.....	7
520.....	22	989.....	13	6770.....	22	6863.....	8
521.....	22	990.....	13	6801.....	5	6864.....	8
535.....	22	992.....	13	6802.....	5	6867.....	9
617.....	19	993.....	13	6803.....	5	6868.....	7
658.....	20	997.....	13	6804.....	5	6870.....	7
669.....	20	998.....	12	6805.....	5	6871.....	7
672.....	20	999.....	12	6812.....	5	6872.....	7
694.....	20	1600.....	21	6820.....	6	6873.....	5
817.....	20	1610.....	21	6825.....	6	6874.....	5
830.....	15, 17	1620.....	21	6827.....	6	6875.....	5
832.....	17	1625.....	21	6828.....	6	6879.....	8
833.....	15-16	2000.....	15-16	6830.....	6	6880.....	8
836.....	19	2010.....	15-16	6835.....	6	6881.....	8
856.....	20	2020.....	15-16	6850.....	7	6882.....	10
861.....	15, 17	2030.....	15-16	6851.....	7	6885.....	7
926.....	18-19	2150.....	20	6852.....	7	6866.....	8
974.....	13	6740.....	8	6853.....	7	6886.....	7
977.....	12	6746.....	10	6854.....	7	6893.....	5
978.....	13	6747.....	10	6855.....	7	6890.....	5
979.....	13	6748.....	11	6856.....	7	6877.....	5
980.....	8	6749.....	11	6857.....	7	6885.....	7
983.....	10	6750.....	8	6858.....	7	6887.....	7
984.....	13	6751.....	8	6859.....	7	6891.....	5
985.....	13	6755.....	8	6860.....	7	6892.....	5

# EDSON®

## POWERBOAT PRODUCTS





## Pro-Series **PowerKnob™**



Edson's PowerKnobs strap or bolt onto the rim of virtually any make of steering wheel. With the feel of precision engineering, twin races of fast action Delrin® ball bearings and a comfortable ergonomic shape, it is possible to effortlessly maneuver any boat, from a flats boat, center console or runabout to a sportfish, motoryacht or trawler with the Edson PowerKnob.

### Loaded with Benefits:

- Helps you back down with precision and confidence.
- Comfortable ergonomic shape.
- Gives your helm the look and feel the pro's love.
- Makes big turns Quick and Effortless.
- No more hand-over-hand steering!
- All tools needed for installation are included.
- Ideal for hydraulic and cable steering systems.

### Filled with Features:

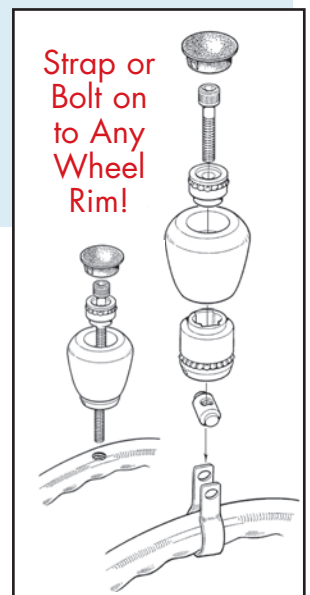
- Stainless Knob is hand polished to a mirror finish.
- Teak Knob built of same high quality stainless components.
- Fits all wheel rims from 5/8" to 1 1/8" diameter.
- Twin races of super smooth Delrin® ball bearings.
- 25 Year Warranty.\*
- Knob can be strapped or bolted on to wheel rim\*\*.

### Available In:

- ComfortGrip™ Stainless
- Polished Stainless
- Black Composite - Sportsman™ Series

\* On Pro-Series models only. Warranty excludes straps, colors and finishes.

\*\* Bolt-on version for solid wheel rims only.



*"Out in the flats it always seems I need three hands. The Edson PowerKnob lets me easily steer one-handed, leaving a hand free for the throttle, a rod, net, or to reach for my pliers. This wheel looks like a piece of jewelry, but it's built like a tank."*

Capt. Lindsay Harper, Flats Guide  
Key West, FL

## ComfortGrip™ PowerKnob

We've taken all the features of our proven Stainless PowerKnob and added rubber finger grips for even greater comfort and control! Soft rubber insert will stand up to the harshest environments without cracking or discoloring. A great addition to any wheel, it particularly compliments our ComfortGrip Steering Wheel.

Stainless ComfortGrip .....#969ST-18CG



## ProSeries™ PowerKnob

Edson's classic Stainless Powerknob is hands-down the best available on the market today. Available in three different finishes to compliment any boat, this is one accessory you won't know how you lived without.

Stainless ProSeries.....#969ST-18



## Sportsman Series™ PowerKnob

As a follow-up to its extremely popular Stainless Pro-Series PowerKnob line, Edson's rugged and economical Sportsman Series™ PowerKnob features the same ball-bearing design and ergonomic shape as the ProSeries. The Sportsman Series Knob is built of black polymer and marine-grade stainless with precision milled bearing races.

Composite Sportsman Series .....#967-18BL



### EVERYTHING YOU NEED IS INCLUDED!

- PowerKnob
- Two Wheel Straps
- Allen Wrench
- Mounting Bolt



## Pro-Series **PowerWheel™**

You have your hands on your wheel more than any other part of your boat - so don't settle for anything but the best! Edson's PowerWheels are one of the best ways to upgrade the look and feel of your boat. Edson PowerWheels™ feature a classic design blended with contemporary styling - the perfect accessory for any boat.



Photo courtesy Viking Yachts

### **Features:**

- Built of Marine Grade 316 Stainless or Cast Bronze.
- Classic Tri-Spoke Design looks great on any boat.
- One piece casting — no rough welds or joints.
- Easy-hold Finger Grip on Wheel Rim provides precise control and comfort.
- Will accommodate Edson's popular Pro-Series PowerKnob™ for even greater control!
- Marine grade Stainless keeps its shine even in the toughest marine environments.
- Cast Bronze is polished and will turn a classic patina over time if not polished.
- Precisely designed for cockpits, consoles, flybridges and towers.
- Fits Standard Powerboat Wheel Shafts.
- Premium boatbuilders worldwide demand Edson wheels for their boats — you should too!



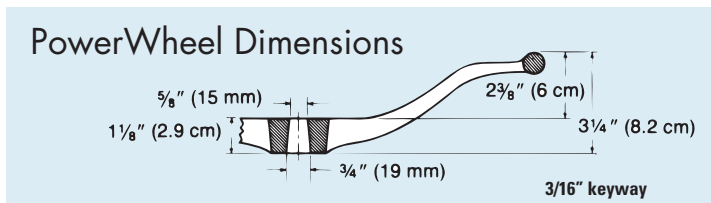
**All Edson PowerWheel Kits  
include a Stainless Wheel Nut!  
(Will fit 12mm or 5/8"-18  
threads with included insert)**

## Stainless ComfortGrip™ PowerWheel - Polished

The perfect combination of durability, good looks and soft feel! Edson's ComfortGrip PowerWheels feature a unique rubber finger grip insert that provides precise control and ultimate comfort. And with the optional ComfortGrip PowerKnob, you also get the ultimate in control. Includes Stainless Wheel Nut with inserts for 12mm & 5/8"-18 threads.



13" Polished Stainless Wheel & Nut .....	#1710ST-13-75T
13" Wheel, Nut & ProSeries PowerKnob .....	#1710ST-13-KIT
13" Wheel, Nut & ComfortGrip PowerKnob .....	#1710ST-KITCG
14.5" Wheel & Nut .....	#1710ST-14.5-75T
14.5" Wheel, Nut & ProSeries PowerKnob .....	#1710ST-14-KIT
14.5" Wheel, Nut & ComfortGrip PowerKnob .....	#1710ST-14-KITCG
16" Wheel & Nut .....	#1710ST-16-75T
16" Wheel, Nut & ProSeries PowerKnob .....	#1710ST-16-KIT
16" Wheel, Nut & ComfortGrip PowerKnob .....	#1710ST-16-KITCG



## Stainless ComfortGrip™ PowerWheel - Satin Finish

We've given our classic tri-spoke ComfortGrip Powerwheel a Satin finish that is silky-smooth but without the bright glare of polished stainless. Includes Stainless Wheel Nut with inserts for 12mm & 5/8"-18 threads.



13" Satin Finish Wheel & Nut .....	#1710WB-13-75T
13" Wheel, Nut & ProSeries PowerKnob .....	#1710WB-13-KIT
13" Wheel, Nut & ComfortGrip PowerKnob .....	#1710WB-KITCG
14.5" Wheel & Nut .....	#1710WB-14.5-75T
14.5" Wheel, Nut & ProSeries PowerKnob .....	#1710WB-14.5-KIT
14.5" Wheel, Nut & ComfortGrip PowerKnob .....	#1710WB-14-KITCG
16" Wheel & Nut .....	#1710WB-16-75T
16" Wheel, Nut & ProSeries PowerKnob .....	#1710WB-16-KIT
16" Wheel, Nut & ComfortGrip PowerKnob .....	#1710WB-16-KITCG

**NEW!**



## Two-Spoke Comfort Grip PowerWheel

Edson's Dual-Spoke Stainless ComfortGrip™ PowerWheel is available in 14.5" diameter and features a split, dual-spoke design that is a contemporary update to the classic style popular on sportfishing boats and offshore "battle wagons". The large, open area inside the wheel rim also provides unobstructed views and access to dash-mounted electronics and controls.

Discerning boat owners and builders can personalize the wheel by engraving or laser etching a company logo or boat name on the wheel hubcap for a nominal charge. They are available with a standard 3/4" tapered hub to fit most popular powerboat helms and can be custom bored for an additional charge to fit up to 1" straight shafts.

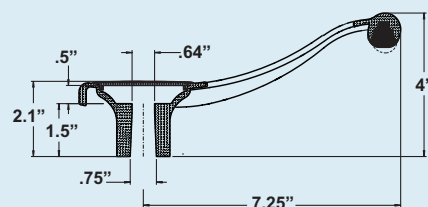
- 14.5" SS Dual Spoke PowerWheel ..... #1730ST-14.5-75T
- 14.5" SS Dual Spoke PowerWheel w/ Pro Series Knob ..... #1730ST-14-KIT
- 14.5" SS Dual Spoke PowerWheel w/ CG Knob..... #1730ST-14-KITCG
- 14.5" SS Dual Spoke PowerWheel - Satin Finish..... #1730WB-14.5-75T
- 14.5" SS Dual Spoke PowerWheel Stain w/ Pro Series Knob ..... #1730WB-14-KIT
- 14.5" SS Dual Spoke PowerWheel - Satin w/ CG Knob..... #1730WB-14-KITCG



### Features:

- Modern Two-Spoke Design looks great on any boat.
- Marine grade 316 Stainless keeps its shine even in the toughest marine environments.
- Satin finish available.
- One piece casting — no rough welds or joints.
- Easy-hold ComfortGrip™ Finger Grip on Wheel Rim provides precise control and comfort.
- Will accommodate Edson's popular Pro-Series PowerKnob™ for even greater control!
- Precisely designed for cockpits, consoles, flybridges and towers.
- Fits Standard Powerboat Wheel Shafts.
- Premium boatbuilders worldwide demand Edson wheels for their boats — you should too!

### Two-Spoke PowerWheel Dimensions





### 13" Bronze PowerWheel

The 13" Edson Bronze PowerWheel is sure to dress up any boat - especially a classic sportfish or wooden runabout. Solid cast bronze construction is highly polished to a mirror finish, giving a deep, rich golden glow. Includes Brass Wheel Nut with inserts for 12mm & 5/8"-18 threads.

13" Bronze Wheel & Nut .....#1700BR-13-750T

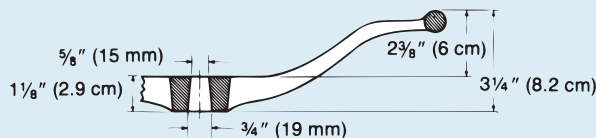
### Teak Rim PowerWheel

This elegant design is perfect for dressing up a flybridge or pilothouse. Varnished teak rim has solid almag center for strength. Easily removable for revarnishing. Available in Silver Almag or Black Powder-coated Almag in both 3/4 tapered and 1" straight bores.



- 16" Teak Rim PowerWheel - Silver - tapered bore ..... #972STK-16-750
- 16" Teak Rim PowerWheel - Silver - straight bore ..... #972STK-16-100
- 16" Teak Rim PowerWheel - Black - tapered bore ..... #972BTK-16-750
- 16" Teak Rim PowerWheel - Black - straight bore ..... #972BTK-16-100

### Bronze & Teak PowerWheel Dimensions



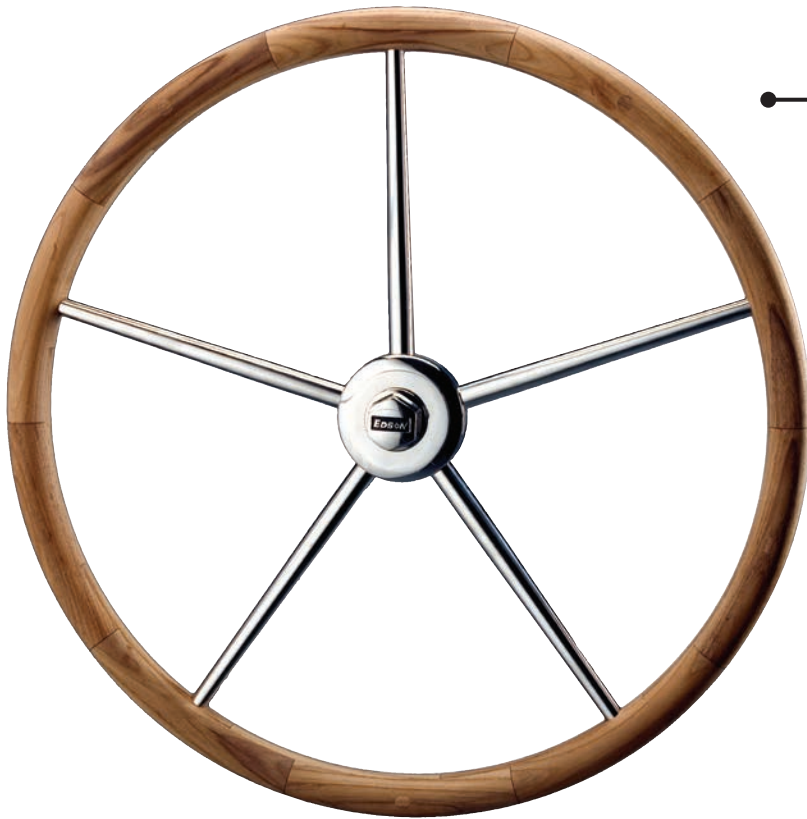
**Edson recommends  
PRISM POLISH  
for all Polished  
Stainless & Bronze**



Prism Polish 6oz. Jar.....#2475

Photo courtesy Ocean Yachts





## Destroyer Wheels

Classic Edson Destroyer Wheels will add distinction and value to any boat. Available in sizes ranging from 18" to 48", they have a timeless look, comfortable rim shape and precision-machined hub for an exact fit. Available with stainless or teak rims or with optional Leather Rim Cover, in Tan or Gray. Features hub bored for standard powerboat taper. Also available with 1" straight hub.

### Features:

- Built of highly polished marine-grade stainless
- Attractive dished shape and newly styled hub.
- Lightweight yet extremely strong
- Tapered, hollow spokes for an elegant look.
- Available with Teak Rim for the ultimate in beauty and comfort!
- Hubs available to accommodate standard powerboat taper or 1" straight wheel shafts.
- Wheel adapters available to fit most other shaft sizes.



*"We want our owners to feel their boat's soul.  
How better than with an Edson wheel."*

Clive Dent  
Chief Designer - True North 38



**See page 15 for  
Edson Wheel Nuts**

## Stainless Dished Destroyer™ Wheel

The classic Edson Destroyer™ Wheel will add distinction and value to any boat. Available in sizes ranging from 18" (457mm) to 48" (1210mm), they feature an attractive dished shape and tapered hollow spokes. The "D" shaped rim is comfortable in your hands and the optional Leather Wheel Rim Cover (see leather covered version below) will make those long hours at the helm less tiresome. Edson Destroyer Wheels feature a hub bored for standard powerboat tapered shafts (1" straight shaft also available).

Stainless Destroyer Wheel ..... #1750ST  
 (Specify Diameter - 18", 20", 22", 24", 26", 28",  
 30", 32", 36", 40", 44", 48")  
 Optional Wheel Nut ..... See pg 15 for styles and sizes



## Teak Rim Dished Destroyer™ Wheel

Edson's New Teak Rim Destroyer Wheels are warm to the touch, elegant in appearance and feather light. It adds the ultimate touch of class to the yacht of distinction. Edson's Teak Rim Destroyer Wheels are available in diameters from 18" - 28". Hand-made teak rim is sanded smooth, ready for the finish of your choice.

- Attractive dished-shape and newly styled hub.
- Tapered, hollow spokes.
- 1-1/8" laminated solid teak rim.
- Delivered with natural teak, ready for each individual's preferred finish.

Teak Rim Destroyer Wheel ..... #1750TK  
 (Specify Diameter - 18", 20", 22", 24", 26", 28")  
 Optional Wheel Nut ..... See pg 15 for styles and sizes



## Leather Covered Dished Destroyer™ Wheel

Edson's 5 & 7 Spoke Stainless Destroyer Wheels are also available pre-covered with our Highest Quality Leather Rim Covers, available in both Buck Tan or Dove Gray. The Orthopedic Grade cowhide is thick, supple and will feel warm in cool weather and cool when the hot sun heats up your wheel.

- Same high-quality construction as Stainless Wheel
- Available in Tan or Gray
- Available in Standard or Comfort Grip™ Leather

Leather Covered Destroyer Wheel ..... #1750LE or #1750CG  
 (Specify Diameter - 18", 20", 22", 24", 26", 28",  
 30", 32", 36", 40", 44", 48")  
 Optional Wheel Nut ..... See pg 15 for styles and sizes



Please Note: The Buck Tan Wheel Cover is dyed leather. Although it is of the highest quality, it will eventually fade over time to a gray color if the wheel is not covered. Edson recommends a complete wheel or pedestal cover for protection from the elements to retain the tan color of the leather.





## Classic Teak Yacht Wheel with Teak Rim

In production for over 150 years, Edson's Classic Yacht Wheels belong on any classic yacht or stately passagemaker. Created by third-generation master craftsmen, the skills and artistry that go in to making these wheels have been passed down from generation to generation, ensuring a consistency and quality that can only be attained by the hand-crafted talents of their builders.

Although extremely elegant, the Edson Teak Wheels are not just a showpiece for a wall. They are handcrafted to the highest offshore-quality standards, and will provide years of service for the classic yacht. They feature solid teak spokes and felloes rigidly secured with stainless fasteners and holly bungs. The wheel is delivered with varnished inner rim and spokes. The laminated 1" diameter destroyer-type rim is installed with stainless fasteners and holly bungs to the solid teak spokes and is unvarnished, ready for each individual's preferred finish. This creates an elegant wheel that keeps the traditional look yet has a modern appearance and styling.

These wheels will be the centerpiece of your cabin or cockpit and the first thing visitors to your yacht will notice.

### Order #603CH (shown)

Specify Bronze (BR) or Chrome (CH) Hub  
(See ordering guide for sizes)

### Features:

- Offshore Quality
- Hand built by 3rd Generation Craftsmen
- Hub available in Polished Bronze or Chrome
- Fits 1" / 2.5cm straight shafts.
- Made from only the finest teak and cast bronze.
- Matching Stainless Wheel Nut available.
- Precision milled and keyed for exact fit on wheel shaft
- Premium boatbuilders worldwide demand Edson wheels for their boats — you should too!



Burger Boats are handcrafted to each owner's exact specifications – right down to the wheels. When their owners want the best, they choose Edson.

## Classic Teak Yacht Wheel

Edson's Classic Teak Yacht Wheel is the original. In production for over 150 years, this is a wheel that belongs on any classic yacht or stately passagemaker.

- Offshore-quality wheel.
- Solid teak spokes and felloes rigidly secured with stainless fasteners and holly bungs.
- Hub available in Polished Bronze or Chrome
- Delivered fully varnished.
- 1"/2.5 cm straight bore only.

**Order #601CH**

Specify Bronze (BR) or Chrome (CH) Hub  
(See ordering guide for sizes)



## Character Wheel

Edson's Character Wheels are patterned after the traditional heavy cast iron wheels.

- Manufactured in Edson's own foundry.
- Made of lightweight 356-T6 aluminum.
- Heat-treated to T-6 hardness.
- Feature tan baked-on urethane powder coating and varnished teak handles.
- 1"/2.5 cm straight bore only.

**Order #688**

(See ordering guide for sizes)



## Bronze Wheel w/ Teak Handles

Edson's Bronze Wheel with Teak Handles adds distinction to any traditional boat.

- Manufactured in Edson's own foundry.
- Made of solid bronze.
- Hand-machined and polished.
- Features varnished teak handles.
- 1"/2.5 cm straight bore only.

**Order #602BR**

(See ordering guide for sizes)



## Commercial Bronze Wheel

Edson's Commercial Bronze Wheel. Simplicity is the keynote for this rugged wheel.

- Teak handles and a tumbled bronze finish.
- Measures 19"/48 cm tip to tip.
- Provided with 5"/12.7 cm varnished teak handles.
- Available with either a standard 3/4"/1.9 cm taper or a 1"/2.54 cm straight bore.
- Hub thickness is 1 1/8"/2.9 cm.

**Tapered Bore – Order #971T-19-750**  
**Straight Bore – Order #971S-19-100**

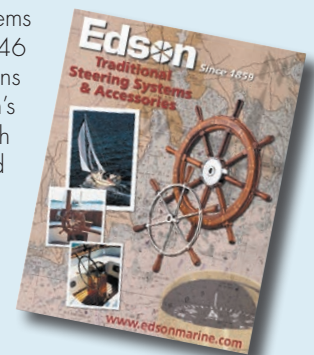


### EDSON TRADITIONAL WHEEL ORDERING GUIDE

Wheel Size Inches (cm)	Teak Wheel Order #	Bronze Wheel Order #	Teak Rim Wheel Order #	Character Wheel Order #
20" (50.8 cm)	n/a	602BR-20	n/a	688-20
22" (55.8 cm)	n/a	602BR-22	n/a	n/a
24" (60.9 cm)	601CH or BR-24	602BR-24	n/a	n/a
25" (63.5 cm)	n/a	n/a	n/a	688-25
26" (66.0 cm)	n/a	602BR-26	603CH or BR-26	n/a
28" (71.1 cm)	601CH or BR-28	602BR-28	n/a	n/a
30" (76.2 cm)	n/a	602BR-30	603CH or BR-30	688-30
32" (81.2 cm)	601CH or BR-32	n/a	n/a	n/a
34" (86.1 cm)	n/a	n/a	603CH or BR-34	n/a
35" (89 cm)	n/a	n/a	n/a	688-35
36" (91.4 cm)	601CH or BR-36	n/a	n/a	n/a
38" (96.5 cm)	n/a	n/a	603CH or BR-38	n/a

n/a - wheel not available in this size.

Edson has been building steering systems for yachts and work boats for over 146 years. Many traditional boat designs are still excellent candidates for Edson's Traditional Geared Steerers, which were engineered for the designs and configurations of the day. If you are building or refinishing a classic yacht, Edson's Traditional Wheels and Geared Steerers are still available, but constructed of modern materials and methods which were not available when first built.



**For complete information, sizes and specifications, request Edson's Traditional Steering Systems & Accessories catalog.**

## Custom Power Boat Wheels

Do you have a custom design in mind? Whether for a sportfisherman, trawler or megayacht, we can build a custom wheel to your specifications - or let our designers develop a wheel that will fit your boats styling with custom wood, stainless and carbon.



*"The Edson comfort grip wheel is a superb, differentiated design. Considering function, quality and Edson brand recognition, the choice was easy."*

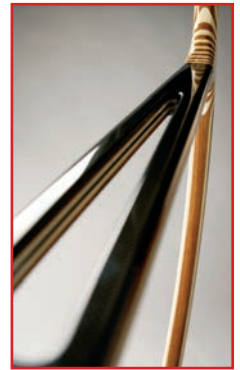
Rampage Sport Fishing Yachts



## Custom Carbon/Wood Laminated Yacht Wheels



This exquisite custom wheel features teak and holly wood laminates, together with areas of beautifully clear-coated carbon-weave laminate. The spokes are carefully sculpted into the teak and holly rim for a very comfortable grip for the helmsman, as well as a robust connection of the spokes to the wheel rim. The wheel rim is constructed of alternating layers of teak and holly creating a beautiful contrast of two classic maritime woods. The level of construction and finish in these wheels is unmatched, and as a result, they quickly become the focal point on the finest vessels. These wheels are coated with multiple layers of clear urethane for a mirror finish. They are available with or without Edson's wheel clutch. Custom faceplate engraving available.



- Hubs available in Black Aluminum or Polished Stainless
- 32" (810mm) to 60" (1500mm) diameters standard, other sizes to suit
- Clear coat for a mirror finish

### Order #652



Edson's Carbon / Wood Laminated Wheel features alternating layers of Teak, Holly and Carbon Fibre to form a unique blend of traditional and modern building materials. Hand built by master craftsmen, each wheel is custom built to your specifications. You can choose wood to match your boat's brightwork, deck or interior styling. Custom faceplate engraving available.

- 40" (1015mm) - 80" (2030mm) diameter
- Custom inlay designs available

### Order #653

## Leather Wheel Rim Covers



*Give your wheel the ultimate feel!* Edson's do-it-yourself Leather Wheel Covering Kits look great and make any wheel softer and warmer to the touch. Each kit includes a pre-punched leather cover, double sided sticky tape, thread, needle and complete instructions. Measure the diameter of your steering wheel and choose from four convenient sizes. Available in Buck Tan or Dove Gray. Note: All leather kits should be installed suede side out.

*"Comfort Grip" Leather Wheel Covering Kits.* Create your own luxury steering wheel with Edson's exclusive "Comfort Grip" Leather Wheel Covering Kit. "Comfort Grip" cushions the wheel and has contoured finger grips on the inside of the wheel rim. Measure the diameter of your steering wheel and choose from six convenient sizes. Available in Buck Tan or Dove Gray.



## Traditional Wheel Components

Edson's Teak Handles. These varnished teak handles can be used on home built wheels to replace original handles for a finished look. Complete with  $\frac{3}{8}$ "-16 stainless carriage bolts. These are the same Handles as those used on Edson's #602, #688 and #971 Traditional Wheels.

- 3½" Teak Handle w/Stainless Carriage Bolt – Order #882-350
- 4" Teak Handle w/Stainless Carriage Bolt – Order #882-400
- 4½" Teak Handle w/Stainless Carriage Bolt – Order #882-450
- 5" Teak Handle w/Stainless Carriage Bolt – Order #882-500

Edson's Wheel Hubs. Make your own traditional mahogany or teak wheels. Available in polished or chrome plated bronze castings. Two-piece design allows for easy assembly. See Ordering Guide.

### Wheel Hub Ordering Guide

For Wheels Sizes:	Bronze Hub	Chrome Hub	Hub O.D.	No. of Spokes	Spoke Size
20" /50.1 cm - 26"/66 cm	Order # 667BR-2	Order # 667CH-2	4" (10.2 cm)	6	1.25" (3.2 cm)
28" /71 cm - 34"/86 cm	Order # 667BR-4	Order # 667CH-4	5½" (13.9 cm)	8	1.375" (3.5 cm)
36" /91.4 cm - 42"/106.7 cm	Order # 667BR-6	Order # 667CH-6	6" (16.5 cm)	8	1.375" (3.5 cm)



Teak Handle  
#882



Chrome Hub  
#667CH



Bronze Hub  
#667BR

## Wheel Nuts

Attention to detail is the keynote of these Edson Wheel Nuts. Available in highly polished Investment Cast 316 Stainless or traditional Polished Brass. Measure your steering shaft thread for the correct size.

- Stainless Wheel Nut with  $\frac{5}{8}$ "-18 Threads..... Order #673ST- $\frac{5}{8}$ -18
- Stainless Wheel Nut with  $\frac{3}{4}$ "-10 Threads..... Order #673ST- $\frac{3}{4}$ -10
- Stainless Wheel Nut with 1"-14Threads..... Order #673ST-1-14
- Stainless Wheel Nut with 12mm-1.75mm Threads.. Order #673ST-12M
- Stainless Nut with 12mm, 1/2-20 & 5/8-18 Threads..... Order #673ST-KIT
- Brass Wheel Nut with  $\frac{5}{8}$ "-18 Threads..... Order #673BR- $\frac{5}{8}$ -18
- Brass Wheel Nut with  $\frac{3}{4}$ "-10 Threads..... Order #673BR- $\frac{3}{4}$ -10
- Brass Wheel Nut with 1"-14 Shaft Threads..... Order #673BR-1-14
- Brass Wheel Nut with 12mm-1.75mm Threads..... Order #673BR-12M



Stainless Wheel Nut  
#673ST



Brass Wheel Nut  
#673BR

## Deluxe Wheel Nut

Edson's Quick Release Wheel Nut was originally created to make it easier to remove steering wheels. Since then, this stylish larger cousin of the original Edson wheel nut has fast become a favorite, even for those that never want to take their wheel off.

- Features superior strength as well as good looks.
- Large 2 $\frac{1}{2}$ " / 6.35 cm diameter provides easy grip.
- Constructed of highly polished investment cast 316 stainless.
- Wt. 1 lb / .45 kg.

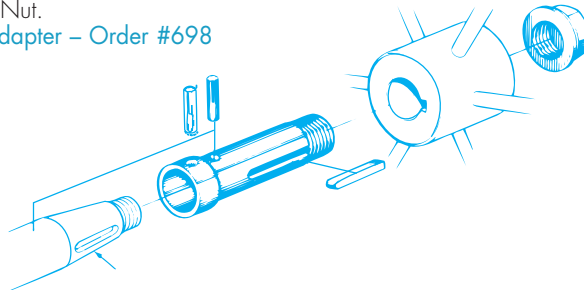
- Quick Release Nut with  $\frac{1}{2}$ "-20 Threads..... Order #826ST- $\frac{1}{2}$ -20
- Quick Release Nut with  $\frac{5}{8}$ "-18 Threads..... Order #826ST- $\frac{5}{8}$ -18
- Quick Release Nut with  $\frac{3}{4}$ "-10 Threads..... Order #826ST- $\frac{3}{4}$ -10
- Quick Release Nut with 1"-14 Threads..... Order #826ST-1-14



## Wheel Adapters

Edson's Wheel Adapter is a real problem solver. Made of brass and finished with a stainless locking pin and a  $\frac{1}{4}$ " stainless wheel key, the adapter is ideal for installing Edson wheels on other steerers. It's simple and it's strong. Be sure to tell us the make and model of your steerer. Call Edson Customer Service and request Engineering Bulletin EB-95-214-2 for information on the correct adapter for your steerer. Suitable for wheels up to 30"/76 cm diameter. Supplied with correctly sized Stainless Wheel Nut.

Edson Wheel Adapter - Order #698



Wheel Adapter  
#698

## Prism Polish™

The best metal polish we've found for Edson stainless and bronze products. Prism Polish has been formulated to clean, polish and protect all metals in one application. Its protective coating is designed to last 3-6 months and contains no harsh acids, caustics or abrasives; its safe on all metals including stainless and bronze - perfect for polishing and protecting Edson Wheels (stainless and bronze), stainless hardware, parts and fittings, engine control handles, wheel nuts, brake knobs, drink holders, mounting arms - any polished Edson metal part!

Prism Polish 6oz. Jar - Order #2475





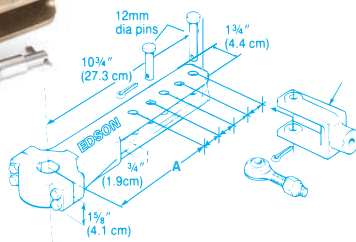
**Part No. 926-15**

## Steering Tiller Arms

The steering system is one of the most important systems on your boat – and Tiller Arms are one of the necessary but unseen workhorses of that system. This critical part must be engineered and built to withstand extreme rudderloads without fail. Edson's cast manganese bronze tiller arms are built to last and are machined to tighter tolerances, assuring a proper fit that won't loosen while underway. A large selection of sizes and length to fit most boats on the market today. See ordering guide on next page for complete specifications and sizes.



**Part No. 926-10**  
Shown bored and keyed



### Edson Tiller Arm

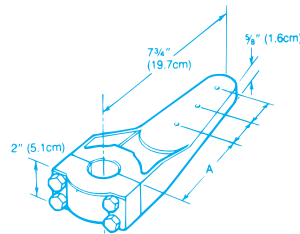
- For use on larger motoryachts and commercial vessels.
- 10" / 25.4 cm length.
- Constructed of manganese bronze.
- Two piece, cap and arm design allows installation without removing the rudder.
- Accommodates rudderposts to 5" / 12.7 cm.
- Accepts clevis fittings with jaw openings of 1 1/2" / 4.1 cm. (Edson recommends Order #619-150 or 619-158)

**Order #926-10**

(See ordering guide for additional specifications and sizes)



**Part No. 836BR-765**



### Edson Tiller Arm

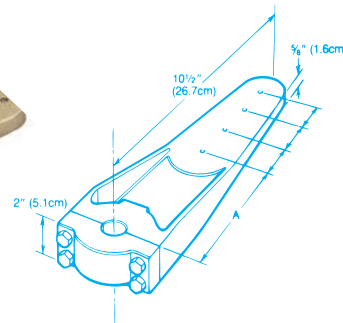
- Constructed of manganese bronze.
- Two piece, cap and arm design allows installation without removing the rudder.
- Accepts clevis fittings with jaw openings of 3/4" / 1.9 cm. (Edson recommends Order #619-150 or 619-158)

**Order # 836BR-765**

(See ordering guide for additional specifications)



**Part No. 836BR-1098**



### Edson Tiller Arm

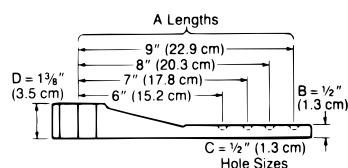
- Constructed of manganese bronze.
- Two piece, cap and arm design allows installation without removing the rudder.
- Accepts clevis fittings with jaw openings of 3/4" / 1.9 mm. (Edson recommends Order #619-150 or 619-158)

**Order #836BR-1098**

(See ordering guide for additional specifications)



**Part No. 808-9**  
Shown bored and keyed



### Edson's Split Hub Tiller Arm

- Constructed of manganese bronze.
- Accepts clevis fittings with jaw openings of 1/2" / 1.43 cm. (Edson recommends #619-075-100)

**Order #808-9**

(See ordering guide for additional specifications)

TILLER ARM ORDERING GUIDE					
Tiller Arm Order #	Max. Size		Max. Bore	Keyway	Weight Each
	Length	Pilot Bore			
	Inches / cm	Inches / cm	Inches / mm	Inches / mm	lbs / kg
808-9	10 / 25.4	15/16 / 2.38	13/8 / 3.49	1/4 / .64	3.5 / 1.6
836BR-765	10.5 / 26.7	7/8 / 2.22	2 / 5.1	3/8 / 1.0	10 / 4.5
836BR-1098	7.75 / 19.7	7/8 / 2.22	2 / 5.1	3/8 / 1.0	8 / 3.6
926-10-24	10 / 25.4	1 / 2.5	1 13/16 / 4.6	3/8 / 1.0	7 / 3.2
926-10-610	10 / 25.4	17/8 / 4.8	3.5 / 8.9	1/2 / 1.3	10.5 / 4.8
926-10-14	10 / 25.4	33/8 / 8.6	5 / 12.7	5/8 / 1.6	14 / 6.4
926-15-24	15 / 38.1	1 / 2.5	1 13/16 / 4.6	3/8 / 1.0	12 / 5.5
926-15-610	15 / 38.1	17/8 / 4.8	3.5 / 8.9	1/2 / 1.3	15 / 6.8
926-15-14	15 / 38.1	33/8 / 8.6	5 / 12.7	5/8 / 1.6	19 / 8.6



### Tech Tip

Tiller Arms must be positively secured on the rudderpost in addition to the tight clamping tolerance.

This can be done by:

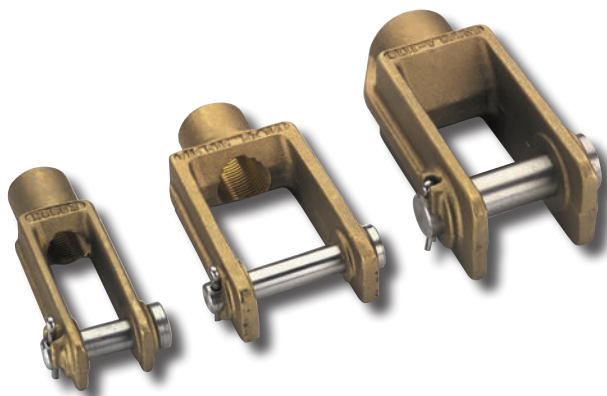
- 1) Securing the Tiller Arm to a solid rudderpost stock by cutting a keyway in the rudderpost and in the Tiller Arm.
- 2) Through-pinning the Tiller Arm to a hollow rudderpost. Edson will provide a pre-drilled Tiller Arm cap and a 3/8" / 1.3 cm stainless pin.
- 3) Securing with set screws by drilling and tapping into the quadrant cap and the rudderpost (be it solid or hollow). Please specify the method of securing when ordering.

### NOTE

When Ordering Tiller Arm Specify:

- Rudderpost diameter specified to 3 decimal places (2.376").
- Specify method used to secure Tiller Arm to rudderpost. See Tech Tip for details.
- For additional information request Engineering Bulletin EB-373-97.

## Clevises



Edson's Bronze Clevises:

- Commonly used in hydraulic and push-pull steering and autopilot systems.
- Constructed of manganese bronze.
- Available in three sizes.
- Bore is fully threaded.
- Additional thread sizes available on special order.
- Depth of jaw is 2 3/16" / 5.56 cm from pin center.

[Order #619](#)

(See Ordering Guide for sizes)

### BRONZE CLEVIS ORDERING GUIDE

Order #	Jaw Width	Standard Thread	Pin Size
619-075-100	3/4" (19 mm)	3/4-16	1/2" (12 mm)
619-150	1 1/8" (41 mm)	1-14	1/2" (12 mm)
619-158	1 1/8" (41 mm)	1 1/4-12	3/4" (19 mm)

Note: Other thread sizes available on special order.

## Drag Links

Edson's Drag Links make twin rudder installations easy. Each Drag Link is manufactured from the highest quality materials. Stainless steel bar stock is used for its superior strength and corrosion resistance and the Clevises are made of manganese bronze to fit virtually any tiller arm. Choose from Edson's standard configurations or provide us with your specifications and we will build what you need.

[Order #617](#) (See Ordering Guide for sizes)

### DRAG LINK ORDERING GUIDE

Order #	"A" Dimension		Weight	
	Inches	cm	lbs	Kg
617-(**)-3642	36-42	91-106	8	3.6
617-(**)-4248	42-48	160-121	9	4.1
617-(**)-4854	48-54	121-137	10	4.5
617-(**)-5460	54-60	137-152	11	5

\*\* Order size 75 for 3/4" / 1.9 cm rod, size 100 for 1" / 2.5 cm rod or size 125 for 1 1/4" / 3.2 cm rod.

Example: 617-75-4248 = a 42-48" Drag Link with a 3/4" / 1.9 cm rod.





## Vision Series Electronics Mounting System

Edson's all-new Vision Series Electronics Mounting System is a revolutionary design that provides the simplest, most attractive solution to your electronics mounting requirements.

- All-new sleek, modern design.
- First all modular system — extremely versatile.
- Simple selection for any radar, dome, light or camera combination — easy to select and install.
- Easy to add accessories.
- Upgradable for future additions and modifications.
- Powder Coated Aluminum Construction

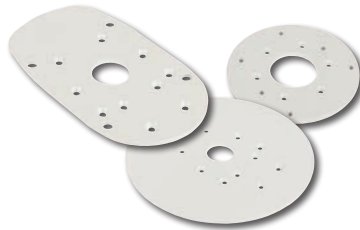


### EASY THREE STEP ORDERING

#### Select Mount Style and Height



#### Select Mounting Plate



#### Select OPTIONAL Light Arm/Wing/Accessories



### Step #1

### Select Mount Style and Height

#### Radars or Satellite Dome Mounts - Angled

- 6", 12", 18", 24" and 36" tall
- Aft Raked 30 degrees
- Powder Coated Aluminum
- Optional Light Arm
- Optional Antenna Mounting Wing
- Mounting Plates for all Antennas



#### Radars or Satellite Dome Mount - Vertical

- 6", 12", and 18"
- Vertical
- Powder Coated Aluminum
- Optional Light Arm
- Optional Antenna Mounting Wing
- Mounting Plates for all Antennas



#### DESCRIPTION

DESCRIPTION	ITEM #
6" Angled Radar or Sat Dome Mount	#6801
12" Angled Radar or Sat Dome Mount	#6802
18" Angled Radar or Sat Dome Mount	#6803
24" Angled Radar or Sat Dome Mount	#6804
36" Angled Radar or Sat Dome Mount	#6805

#### DESCRIPTION

DESCRIPTION	ITEM #
6" Angled Radar or Sat Dome Mount	#6873
12" Angled Radar or Sat Dome Mount	#6874
18" Angled Radar or Sat Dome Mount	#6875

#6801 Shown with optional accessories



#6873/6871



#6873/6868

### Triple Mounts

- First production Triple Mount
- For Radar Dome/Sat Dome or Open Array/Sat Dome + Spot Lights, Cameras or Night Vision
- Powder Coated Aluminum
- 36" tall
- Aft Raked 30 degrees
- Optional Light Arm
- Optional Antenna Mounting Wing
- Mounting Plates for all Antennas



DESCRIPTION	ITEM #
36" Triple Mount for Radar Dome/Sat Dome	#6830
36" Triple Mount for Open Array/Sat Dome	#6835

\* Three mounting plates required



#6830 Shown with optional accessories

### Dual Mounts

- For Radar Dome/Sat Dome or Open Array/Sat Dome
- 18" (sat dome) and 24" (open array)
- Powder Coated Aluminum
- Aft Raked 30 degrees
- Shown with optional Light Arm
- Optional Antenna Mounting Wing
- Mounting Plates for all Antennas



DESCRIPTION	ITEM #
18" Dual Mount for Radar Dome/Sat Dome	#6820
24" Dual Mount for Open Array/Sat Dome	#6825

\* Two mounting plates required

**For Dual and Triple Mounts, choose Radar Dome or Open Array Styles**

### Mast Mount Radar Platform

- For Sailboats and Trawlers
- Powder Coated Aluminum
- Swivel Feet fit most masts
- Rivets Included
- Mounting Plates for all Radar and Satellite Domes.

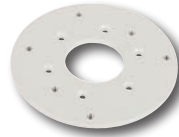


DESCRIPTION	ITEM #
Mast Mount Radar Platform	#6867



## Step #2

### Select required Mounting Plate(s) by electronics manufacturer



#### UNIVERSAL FIT

#### ITEM#

2/4kW and Broadband Radars (most brands and models)	#6850
Universal Mounting Plate, 15" Dia., no pre-drilled holes	#6886

#### ACR

#### ITEM#

ACR RCL-100, RCL-50 Series Lights	#6868
-----------------------------------	-------

#### FLIR

#### ITEM#

Flir Mariner	#6869
FLIR Navigator II	#6870
Flir M-Series	#6871

#### FURUNO

#### ITEM#

Furuno 15" - 24" Radar Domes 2/4 kW	#6851
Furuno 4' / 6' Open Array Radar	#6851

#### GARMIN

#### ITEM#

Garmin 18" & 24" HD Dome 4 kW Radar	#6852
Garmin 4' / 6' Open Array Radar	#6856

#### INTELLIAN

#### ITEM#

Intellian i1, i2, i3	#6860
Intellian i4, K4, d4	#6859
Intellian i6, K6, d6, S60, FB500	#6861
Intellian FB150, FB250	#6872

#### KVH

#### ITEM#

KVH M1, M2, M3	#6860
KVHTV M5, Trac 50	#6859
KVHTV M7, HD7, TracPhone V7, F55	#6861
KVH FB150, FB250 for 10.8" and 13.5" diameter domes	#6872

#### LOWRANCE

#### ITEM#

Broadband 20" Dome and 2kW Radar Dome	#6853
Lowrance HD Dome 4kW Radar	#6854
Lowrance 4' / 6' Open Array Radar	#6857

#### NOBELTEC

#### ITEM#

Nobeltec IR2-4D Dome, IR2-4x, 6x, 12x Array	#6885
---	-------

#### NORTHSTAR

#### ITEM#

Broadband 20" Dome and 2kW Radar Dome	#6853
Northstar HD Dome 4kW Radar	#6854
Northstar 4' / 6' Open Array Radar	#6857

#### RAYMARINE

#### ITEM#

Raymarine 2/4 kW Radar Dome	#6855
Raymarine 4' / 6' Open Array Radar	#6858
Raymarine 33&37STV	#6860
Raymarine 45STV	#6859
Raymarine 60STV	#6861
T-Series Night Vision T300-T450	#6871

#### SEA KING

#### ITEM#

Sea King 15	#6860
Sea King 18	#6859

#### SEA TEL

#### ITEM#

Sea Tel C14	#6860
SeaTelC18-24	#6859

#### SIMRAD

#### ITEM#

Broadband 20" Dome and 2kW Radar Dome	#6853
Simrad HD Dome 4kW Radar	#6854
Simrad 4' / 6' Open Array Radar	#6857

#### SI-TEX

#### ITEM#

Si-Tex 2/4 kW Radar Dome	#6851
Si-Tex MDS-10 4' Open Array Radar	#6857

**NOTE: Please contact Edson if your brand is not shown.**



### Step #3

## Select optional Adapters, Light Arms, Mounting Wings and Accessories

#6863



#6879



Receiver or Wing is required to mount Light Arms



#### LIGHT ARM RECEIVERS

Light Arm Receiver for aft angled mounts  
Light Arm Receiver for vertical mounts

#### ITEM#

#6863  
#6879

#### ANTENNA MOUNTING WINGS

Antenna Mounting Wing for aft angled mounts  
Antenna Mounting Wing for vertical mounts

#### ITEM#

#6864  
#6880



(shown with optional Anchor Light)



#6865

#6866

#### LIGHT ARMS

Light Arm for Radar Domes and Sat Domes  
Light Arm for Open Array Radars

#### ITEM#

#6865  
#6866



#980-3-100



#6740

(shown with optional Anchor Light and Antenna)

#### ANTENNA / LIGHT EXTENSIONS

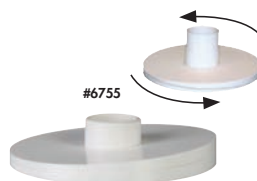
3" Antenna Extension for Wing  
13" Antenna Extension for Wing  
GPS Mount with Light Extension

#### ITEM#

#980-3-100  
#980-13-100  
#6740



#6760



#6755

#### ADDITIONAL ACCESSORIES

Wedge Kit for 0-4° angle adjustment - 7" diameter  
Vision 4 degree wedge for under mounting plate  
Witches Hat, black rubber for water protection under mounts  
Mast Mount Platform Standoff for Spinnaker Track (pair)

#### ITEM#

#6755  
#6881  
#6884  
#6760



#6750



#6751

#### ANCHOR / STEAMING LIGHTS

Perko Anchor/Steaming Light (incandescent) - 50" pigtail  
Atwood Anchor/Steaming Light (LED) - 72" pigtail

#### ITEM#

#6750  
#6751

## Instrument Display Housings



#2000-10x10  
Chartplotter Housing

The compact design of the new LCD Radars make them ideal for use in the cockpits of sailboats and powerboats. However, their mounting options are limited and critical wiring is often exposed. That's why Edson has designed Custom Housings for Radar and Chartplotter Displays. They add a ship shape appearance, protect the back of the displays, and provide a more robust mount. They allow Pedestal, Overhead, Deck/Bulkhead, Console, and Pod Arm Mounting Options.





## Dinghy Davits

Edson's Stainless Davits keep your dinghy up and out of the water, and look great doing it! Marine-grade stainless construction with 5:1 lifting tackle makes them robust and convenient to use. Optional mounting shoes allow for easy removal when in storage or not being used. 250lb capacity.

### Features:

- Built of highly polished, marine grade 316 Stainless.
- Includes 33' lifting line, blocks and cleats.
- Optional Stainless Mounting Shoes allow for ease of mounting and removal.
- 5:1 Lifting Tackle included.
- Optional Connecting Bar available for added support and rigidity.
- Positive-locking Spinlock™ cam-cleats holds lifting tackle securely.
- Long 40.5" (103cm) reach and 31" (79cm) rise make lifting and storage of most all dinghies possible.
- 250 lb (113 kg) capacity.



### IMPORTANT

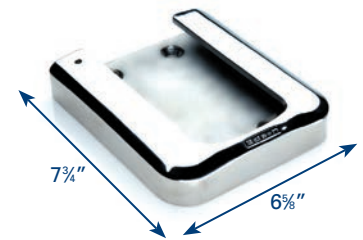
- Practical lifting capacity of a davit rigged with a 5:1 purchase is 250 lbs (113 kg).
- Davits must be properly installed with backing plates to provide adequate strength.
- The total weight of the dinghy and motor should not exceed the safe working load of one davit or 250 lbs (113 kg).
- Custom brackets or slings may be required to fit specific installations and dinghies.
- **CAUTION**  
Water should not be allowed to collect in the dinghy or inflatable while being held in Davits. Dinghy should be covered or equipped with a drain to allow water to escape. Failure to do so could damage the davits and dinghy. A dinghy on davits should not extend beyond the sides of the boat to prevent catching water when rolling or heeling.

#### Stainless Davit Ordering Information

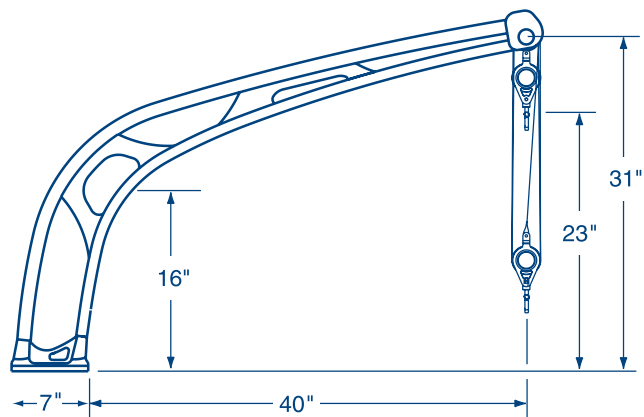
Edson Stainless Davit (2 required) - Order #500ST-4030  
 Optional Stainless Mounting Shoe (2 required) - Order #508ST-78  
 Optional 5' Stainless Connecting Bar - Order #513ST-1125-60  
 (custom length Connecting Bars available)



Optional Mounting Shoe



Actual Davit Foot measures 7-1/8" x 5-3/4"



## Bronze House Markers

Edson's Traditional Bronze Housemarkers are an excellent way to add classic beauty to any home or business entryway. When allowed to age naturally, each Housemarker will acquire a classic patina.

Cast from hand-carved patterns, these plaques represent six traditional East Coast sailing vessels from the late 19th and early 20th century, as well as a Striped Bass, a classic lobster boat and a nautical compass rose. Each is modeled to scale, in full relief and shows details of the actual vessel or fish.

The Edson/Anbar Foundry has hand cast and tumbled the bronze plaques to a low-lustre finish ready to be engraved to your specifications. Bronze mounting screws are included and engraving is available in Roman typeface for an additional charge. Please include clear engraving instructions with your order. 15 characters maximum, including spaces. Please allow 3-4 weeks for delivery. Engraving charges extra.



Beetle Cat  
Order #3205  
10" x 12-3/8"



Lobster Boat  
Order #3207  
14-1/4" x 8-1/2"



Friendship Sloop  
Order #3202  
10" x 10"



Herreshoff 12 1/2  
Order #3206  
9-7/8" x 11-1/2"



Compass Rose  
Order #3150  
9" diameter



Cape Cod Catboat  
Order #3201  
9" x 11"



Chesapeake Bay Skipjack  
Order #3203  
10" x 9-1/2"



Striped Bass  
Order #3204  
14-7/8" x 8-1/2"



Tancook Whaler  
Order #3200  
10" x 9-1/2"

## Bronze Dinghy Anchor

Remember those great navy anchors of yesteryear? They were as functional as they were good looking. Now Edson has reintroduced the design as the perfect dinghy anchor. Its' cast bronze construction will last for generations. This Bronze Dinghy Anchor weighs 6 pounds (2.7 kg) and comes complete with 33 ft (10 m) of  $\frac{3}{16}$ " braided line and a handy stowage bag that mounts to the underside of most seats. Wt. 8 lb (3.6 kg).

[Bronze Dinghy Anchor with Bag and Line – Order #522-6](#)

[Bronze Dinghy Anchor without Bag and Line – Order #522-6LL](#)



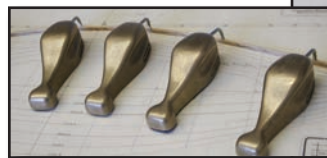
## Edson Bronze Spline Weights

Edson is pleased to present Bronze Spline Weights for use by yacht designers, boatbuilders, and design students. These classic design tools are used in conjunction with long, flexible battens or 'splines' to draw fair curves while drawing a boat's lines and during the lofting process.

The past is present. This yacht design tool of a bygone era is a proven invaluable tool for design students in the computer age. They are also a practical tool for boat builders, as generating full size plans for construction often requires ducks and battens on the lofting floor. They also make a great gift item, paperweight or conversation piece.

Edson's version of the timeless tools are cast in our own New England foundry and feature a padded felt bottom and the traditional "duck" or "whale" design. They have side indents for easy handling, as well as a slightly raised "tail" for lifting and repositioning. Each one weighs 3 lbs, 10oz. (1.65kg) and are 7-1/4" long x 1-7/8" wide.

- Solid Cast Bronze
- Padded felt bottom
- Side Indents for easy handling
- Raised 'tail' for lifting and repositioning
- Weight : 3lbs., 10oz.
- Dims: 7-1/4" long x 1-7/8" wide



[Set of Six Bronze Spline Weights - Order #3500-SET](#)

[Individual Bronze Spline Weight - Order #3500-1](#)

## Cast Bronze Nautical Stars

*The Nautical Symbol of Guidance, Protection, Love and Affection.*

These classic Nautical Stars are cast in solid bronze and are either highly polished to a golden lustre, or chrome-plated for a gleaming silver look. They are perfect for plaques, add a nautical touch to homes when mounted to railing posts or doors, or make a perfect desk paper weight for your favorite boater. Any where you want that classic nautical look, these stars are the perfect accessory.

They measure 6" (152mm) in diameter and stand 1" (25mm) proud. Each weighs a hefty 1.2lbs (.54kg) and have a 1/4" threaded hole in the back center for mounting.

[Polished Bronze Nautical Star – Order #3300-BR-6](#)

[Chromed Bronze Nautical Star - Order #3300-CH-6](#)



### **Ideal for:**

- Award Plaques
- "Nautical" Home Railing Posts
- Boat Transom Names
- Paper Weights
- Door Decorations
- The Perfect Gift for Any Boater

## Edson One-Step™ Boarding Step

If the deck of your boat seems to be getting higher and your dinghy seems to be getting lower, get Edson's "One-Step Boarding Step". Edson makes getting on board safer and easier. Cast in aluminum and coated with durable, glossy-white baked on urethane coating, this Step is designed to hang against the side of your boat. It has neoprene bumpers that won't mar your topsides, and the built-in handles give you a secure handhold. Comes complete with 6 ft. of braided line with stainless shackles. Wt. 5 lb (2.3 kg).

[One-Step Boarding Step with Line – Order #520-14](#)  
[One-Step Boarding Step without Line – Order #520-14LL](#)



## Edson Oar-Loc™

Cast in bronze, this convenient oar locking device is ideal for those who want to leave their oars safely with the dinghy at yacht clubs or public docks. Edson's unique design is easy to operate because the lock is on the top of the seat. You can also lock up your oarlocks by drilling two more holes and putting your oarlocks under your oars. Lock not included. Wt. 1.35 lb (.6 kg).

[Edson Oar-Loc™ – Order #523-2](#)



## Leather Chafing Gear

Edson's Leather Chafing Gear is ideally suited for protecting mooring lines, anchor ropes, dock lines.

### TAN LEATHER

2½ Sq. ft ..... Order #858TAN-2.5  
 5½ Sq. ft ..... Order #858TAN-5.5  
 11 Sq. ft ..... Order #858TAN-11  
 22 Sq. ft ..... Order #858TAN-22

### GRAY LEATHER

2½ Sq. ft ..... Order #858GRAY-2.5  
 5½ Sq. ft ..... Order #858GRAY-5.5  
 11 Sq. ft ..... Order #858GRAY-11  
 22 Sq. ft ..... Order #858GRAY-22



\*Gray Leather is not always available—call for availability.

## Stainless Antenna Standoffs



These strong and attractive standoffs will limit the amount of wear and tear on your antennas while powering through rough seas. Made from investment cast 316 stainless, they will never break like plastic.

Fitting all antennas up to 1.5" in diameter, they are available in three sizes, virtually eliminating the need to shim the standoff or antenna base. The clasp is held closed with a quick release pin allowing for quick antenna takedown to go under bridges or for trailering. Each clasp is padded providing a secure, rattle free closure.

Order by the desired stand-off distance (to center of antenna)

[3" Standoff – Order #535-3-125 Wt. 1.3 lb \(.6 kg\)](#)  
[5" Standoff – Order #535-5-125 Wt. 1.5 lb \(.7 kg\)](#)  
[7" Standoff – Order #535-7-125 Wt. 1.7 lb \(.8 kg\)](#)



## Stainless Drink Holders

Edson's newest drink holder is cast from solid marine-grade stainless and is available in single, double or triple versions. The elegant design can be mounted to any surface where you need a secure drink holder and is an open design to accommodate coffee cup handles. Will also fit Koozies, cans and large cups up to 3-3/8" diameter. Direct Mount versions feature installed threaded studs for a secure through-bolt installation and a locator stud keeps them from turning. Sits 3" high when installed.

Direct Mount

- Single Stainless Drink Holder - Horizontal .....Order #878ST-1
- Single Stainless Drink Holder - Vertical ..... Order #878ST-1V
- Double Stainless Drink Holder .....Order #878ST-2
- Triple Stainless Drink Holder.....Order #878ST-3

Teak Base w/ Rubber Feet

- Single Stainless Drink Holder..... Order #878TK-1
- Double Stainless Drink Holder ..... Order #878TK-2
- Triple Stainless Drink Holder..... Order #878TK-3

White Poly Base w/ Rubber Feet

- Single Stainless Drink Holder .....Order #878WH-1
- Double Stainless Drink Holder .....Order #878WH-2
- Triple Stainless Drink Holder.....Order #878WH-3



878ST-1



848ST-1V



Threaded stud for mounting and locator pin to keep from rotating. Washer and nut included.



878ST-2



878ST-3



878TK-3



878WH-3



**Stainless GPS Antenna Rail Mount  
#831ST-1-14**

## Stainless Rail Clamps

Edson's has a large selection of stainless clamps for 1", 1-1/8" and 1-1/4" railing. They can be used to mount instrument housings, electronics brackets, custom drink holders and ditty boxes, antennas and much more. All are cast in 316 marine-grade stainless and precision machined for tight clamping tolerances.



**Clamp-On U-Mount  
for 1", 1-1/8" & 1-1/4" Guard Pipes  
#861-100-125**



**Ball Mount  
for Instrument Housings  
(hollow design for wiring)  
#831ST-BALL**



**Clamp-On Mount  
for 1" & 1-1/8" Guard Pipes  
#861-100**



**Clamp-On Table Hardware  
for 1" & 1-1/8" Guards  
#860-100**



**Glass Holder/Ditty Box Hardware for  
Pedestal Guards  
#859-8**



**Swiveling Clamp-On Accessory  
Mount - 3" Platform  
#832ST-3-125**



**Clamp-On Table Hardware  
for 1-1/4" Guards  
#860-125**



**Swiveling Clamp-On Accessory  
Mount - 7" Platform  
#832ST-7-125**



**Side Mount Arm  
1", 1-1/8" & 1-1/4" Guard Pipes  
#831ST-100**



**Swiveling Accessory  
Clamp  
#861ST-125**



**Stainless Horizontal Rail Accessory Mount  
with 3" or 5" Platform  
#831ST-3-DISK or #831ST-5-DISK**

**Edson recommends  
PRISM POLISH  
for all Polished  
Stainless & Bronze**



Prism Polish 6oz. Jar.....#2475

## Portable Pump Kits



**Bone Dry Portable Pump Kit #165AL-30**



**Optional Portable Pump Kit Bag #275-31**

Edson's Portable Pump Kits are complete pumping systems that include either the 18 GPM #217 Pump or the 30 GPM #117AL Pump mounted on a carrying board with a 32" handle. Quick clamp hose fittings and a single 20' length of hose supplied for optimum configuration by individual.

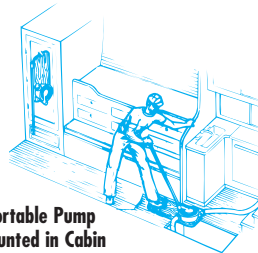
They can be customized with additional hose, a strainer and special couplings to meet specific needs. An optional Pump Kit Storage Bag is available for storing the pump.

**Portable Pump Kit – Order #165**

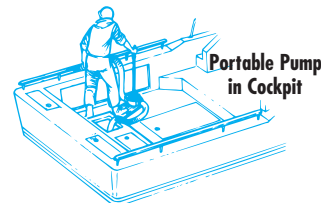
See ordering Guide for sizes

PORTABLE PUMP KIT ORDERING GUIDE				
Pump Description	Material	Fitting Size	lbs/Kg	Order #
18 GPM Portable Pump Kit	Aluminum	1-1/2" NPT	8/3.6	165AL-18-150
Pump Kit	Bronze	1-1/2" NPT	19/8.6	165BR-18-150
30 GPM Portable Pump Kit	Aluminum	1-1/2" NPT	17/7.7	165AL-30-1.5-KIT
30 GPM Portable Pump Kit	Aluminum	2" NPT	17/7.7	165AL-30-2KIT

**30GPM Pump Kits now includes Forespar TruPlug and Bright Orange Storage Bag for added safety!**



**Portable Pump Mounted in Cabin**



**Portable Pump in Cockpit**

## Forespar TruPlug®

TruPlug is a soft, cone shaped plug designed to conform to the irregular and unpredictable shapes of a hull breach - controlling the flow of water while you pump.

Whether it's a round hole caused by mechanical failure, or an elongated tear due to impact, TruPlug adapts to slow or stop the leak. Unlike old fashioned wooden plugs, TruPlug's unique shape allow it to be compressed by hand or cut to fit. It also gets in the hard-to-reach locations and can also be pushed into a gap using a screw driver or similar tool.

Dimensions: 5 inches x 9 inches. The TruPlug is suitable for holes up to four inches in diameter.

One TruPlug for every 10 feet of boat length is recommended. For boats under 30' we recommend two TruPlugs and a minimum of three for any boat in excess of 30'. This allows one TruPlug for a thru-hull/hose failure and provides spares for other holes or to cut in the event of a hull impact breach.

The TruPlug is constructed of proprietary special purpose foam and coated with a flexible sealer adding strength and color.

**Forespar TruPlug– Order #287**



## Diaphragm Pumps

For more than 140 years, the Edson Diaphragm Pump has been the captain's choice for onboard bilge pumping, sewage collection, spill clean up, oil collection and pump-outs of marine sumps, holding tanks and gas tanks. The manual models, because they can pump a lot of water without power, are often used as emergency manual back-up pumps and are recognized by experienced passagemakers and sportfishermen as an absolute necessity for offshore travel. Use Edson's Manual Diaphragm Pumps for small holding tanks and power models for yachts with large systems.



### Edson Pump Features:

- Highest capacity pumps on the market—up to one gallon per stroke.
- 0 – 30 GPM Manual and Powered Pumps.
- Self-priming from dry starts to 1.5 vertical feet / 3.7 meters.
- Handle solids up to 1.5" in diameter.
- Large flow through inlet and discharge passages for virtual clog-proof operation.
- Reinforced diaphragms and valves = long life (over 30,000 cycles).
- Available in marine grade red bronze or anodized aluminum.
- Available for 1.5" – 2" NPT Ports.
- Built tough for years of service.
- Designed simple for on board maintenance.



Air Powered Pump #120AC

Seat Riser Pump #258



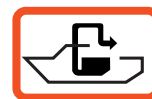
Lever Action Pump #638



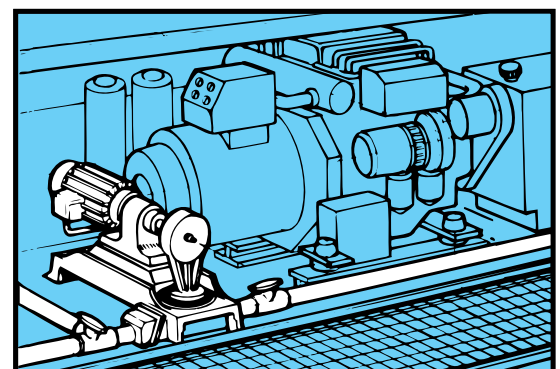
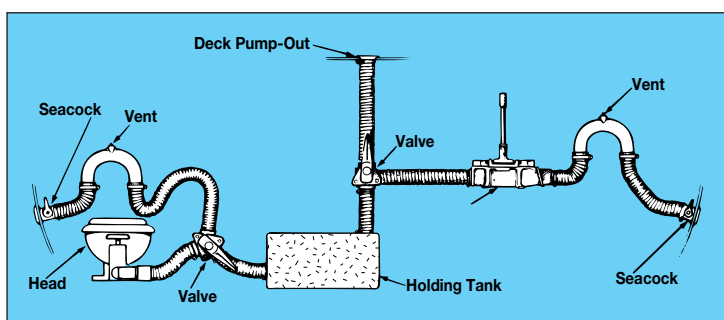
Fixed dock-side Pump Out.



Portable Pump Out Caddy



Vertical Mount #256



## Edson Pump Hose

- 1-1/2" Flex Hose ... Order #671FH-150
- 2" Flex Hose ..... Order #671FH-200
- 1-1/2" Waste Hose Order #268FW-150
- 2" Waste Hose..... Order #268FW-200

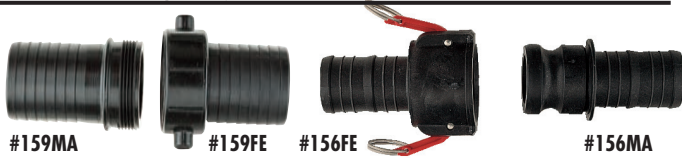


## Quick Clamp Pump Out Deck Adapters



- 1-1/4" Quick Clamp Deck Fill Adapter ..... Order #273-125
- 1-1/2" Quick Clamp Deck Fill Adapter ..... Order #273-150
- Quick Clamp "Splash Guard" Pump Out Nozzle..... Order #272QC-150-SG
- Right Angle Pump Out Nozzle ..... Order #272RA-150

## Hose Couplings



- 1-1/2" Threaded Female Coupling ..... Order #159FE-150NY
- 2" Threaded Female Coupling..... Order #159FE-200NY
- 1-1/2" Threaded Male Coupling ..... Order #159MA-150NY
- 2" Threaded Male Coupling ..... Order #159MA-200NY
- 1-1/2" Female Quick Clamp Coupling ..... Order #156FE-150NY
- 2" Female Quick Clamp Coupling ..... Order #156FE-200NY
- 1-1/2" Male Quick Clamp Coupling..... Order #156MA-150NY
- 2" Male Quick Clamp Coupling..... Order #156MA-200NY

## Strainers & Foot Valves



- 1-1/2" Foot Valve/Strainer..... Order #130N-150
- 2" Foot Valve/Strainer ..... Order #130N-200
- 1-1/2" Bronze Strainer ..... Order #111BS-150
- 2" Bronze Strainer ..... Order #111BS-200

## Pump Spares Kits

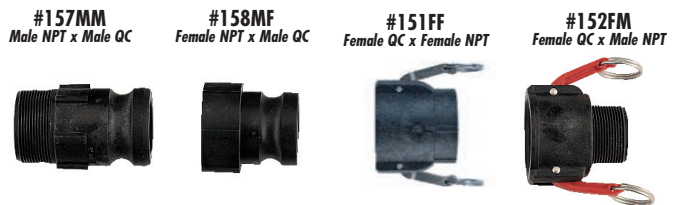
18 GPM Pump Spares Kit	40 GPM Side Inlet Pump Spares Kit	40 GPM Bottom Inlet Pump Spares Kit
For Models 217, 254, 256 & 258 - Order #114N-18-220	For Models 117, 120 & 557 - Order #114N-117-120	For Models 554, 638 & 654 - Order #114N-638-554
Includes: Two #160-A-1207 Valve Assemblies (includes hardware and weights) One #113N-18 Diaphragm	Includes: Two #160-G-107 Valve Assemblies (includes hardware and weights) One #113N-0 Diaphragm	Includes: One #160-G-107 Valve Assembly (includes hardware and weights) One #160-G-108 Valve Rubber One #113N-0 Diaphragm

## Check and Ball Valves



- 1-1/2" Clear Check Valve/Sight Glass .. Order #269CL-150
- 2" Clear Check Valve/Sight Glass ..... Order #269CL-200
- 1-1/2" Union Ball Valve ..... Order #264-150
- 2" Union Ball Valve ..... Order #264-200

## Quick Clamp Threaded Adapters



- 1-1/2" Male Quick Clamp Adapter ..... Order #157MM-150NY
- 2" Male Quick Clamp Adapter ..... Order #157MM-200NY
- 1-1/2" Female Quick Clamp Adapter ..... Order #158MF-150NY
- 2" Female Quick Clamp Adapter..... Order #158MF-200NY
- 1-1/2" Male Quick Clamp Adapter ..... Order #151FF-150NY
- 2" Male Quick Clamp Adapter ..... Order #151FF-200NY
- 1-1/2" Female Quick Clamp Adapter ..... Order #152FM-150NY
- 2" Female Quick Clamp Adapter..... Order #152FM-200NY

## Hose Clamps



- 1-1/2" Stainless Steel Hose Clamp – Order #670ST-150
- 2" Stainless Steel Hose Clamp – Order #670ST-200

## Stainless 32" Pump Handle



- Stainless 32"/81 cm Pump Handle – Order #160-A-41ST
- Available as an Upgrade Option when ordering a Pump – Order #230-A-41ST

**NEW!**

BioFresh™ Cleaning Products



**A CLEANER,  
FRESHER BOAT  
THE NATURAL WAY!**

BioFresh™ OilEradicator™

**Natural & Environmentally  
Safe Products**

**Controls Holding Tank Odors  
and Cleans Oily Bilges!**

Naturally occurring, beneficial microbes break down and consume oils, gas, grease, diesel fuel and human & animal waste found in bilges, marinas, lakes and rivers. Let Nature handle the dirtiest jobs on your boat!

BioFresh™ Holding Tank Packets



Simple, drop in packs for holding tank treatment.  
**ORDER #2400**

Oil Eradicator™ Bilge Pad



Absorbs and eliminates oil in your boat's bilge.  
**ORDER #2410**

BioFresh™ Microbial Powder



Surface cleaner and odor eliminator for bilges and holding tanks.  
**ORDER #2404**

Oil Eradicator™ Clean Up Kit



Cleans small oil spills in your bilge or other contaminated areas.  
**ORDER #2420**

BioFresh™ PreWash



Non-toxic soap to emulsify oils and grease. Use with Microbial Powder.  
**ORDER #2408**

Oil Eradicator™ Booms



Contain and eliminate oil spills in and around docks and in bilges.  
**2' - ORDER #2412**  
**4' - ORDER #2414**



# PREMIUM BOATING ACCESSORIES FOR SAIL & POWER

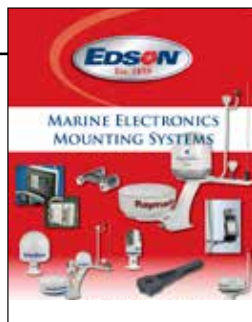
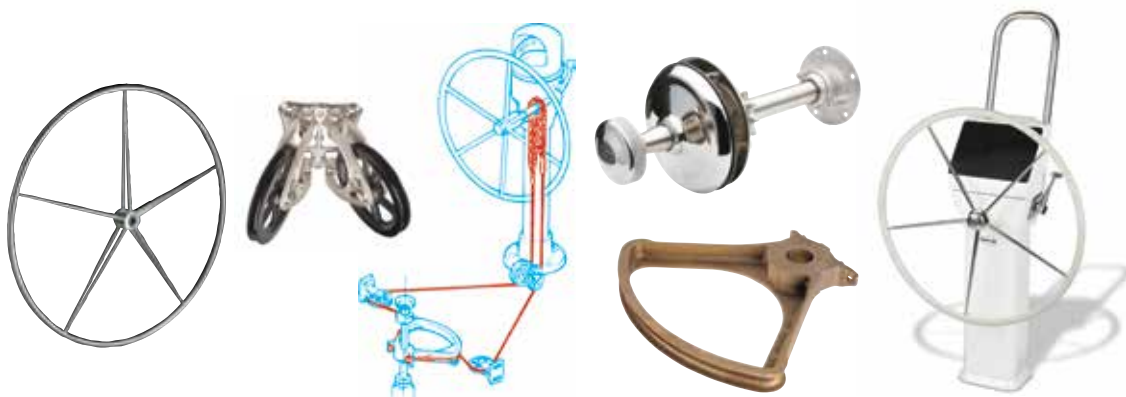


# Edson is much more than steering!



## Sailboat Steering & Wheels

Our complete line of Steering Systems and Wheels for Sailboats is featured in this catalog, covering Pedestals, Chain & Wire, Quadrants, Sheaves, Engine Controls, Wheels and much more.



## Electronics Mounting Systems

Our complete line of Navcom Mounts, Instrument Housings and Accessories allow you to mount your Radar, Chartplotter, GPS, Satellite Domes, Cameras, Search Lights, Antennas and more on your sail or power boat.



## Marine Pumps and Pump Out Systems

Since 1859, Edson has built pumps for marine use. From the very first Diaphragm pump to our modern pump out systems, we offer a full selection of pump and pumping products for your boat or marina.

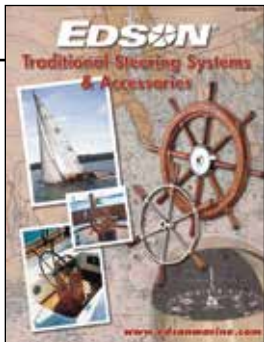






## Powerboat Wheels & Accessories

Our full line of Powerboat Wheels, Power Knobs, Drink Holders and Accessories are regarded as the finest in the industry and will add style and elegance to any powerboat.



## Traditional Yacht Wheels and Systems

Edson's Traditional Steering Systems and Accessories catalog offers a host of gear for the traditional sailboat. Worm Gears, Rack and Pinion Steerers, Teak and Bronze Steering Wheels. Also included are Edson's Traditional Bronze Housemarkers and a host of Accessories for the traditional boatowner.



## BioFresh Environmental Products

Edson BioFresh products contain naturally occurring, beneficial microbes that break down and consume oils, gas, grease, diesel fuel and human & animal waste found in bilges, marinas, lakes and rivers. Holding Tank Packets, Oil Eradicator Bilge Pads, Booms and Clean Up Kits all help keep your boat naturally clean and odor free - while protecting our environment from harsh chemicals.

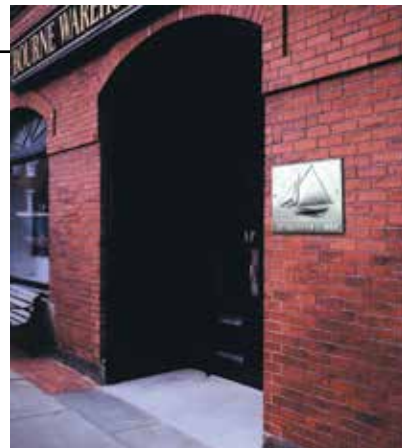


## Bronze Housemarkers

Edson's Traditional Bronze Housemarkers are an excellent way to add classic beauty to any home or business entryway. When allowed to age naturally, each Housemarker will acquire a classic patina.

Cast from hand-carved patterns, these plaques represent six traditional East Coast sailing vessels from the late 19th and early 20th century, as well as a Striped Bass, a classic lobster boat and a nautical compass rose. Each is modeled to scale, in full relief and shows details of the actual vessel or fish.

The Edson/Anbar Foundry has hand cast and tumbled the bronze plaques to a low-lustre finish ready to be engraved to your specifications. Bronze mounting screws are included and engraving is available in Roman typeface for an additional charge. Please include clear engraving instructions with your order. 15 characters maximum, including spaces. Please allow 3-4 weeks for delivery. Engraving charges extra.



**Beetle Cat**  
Order #3205  
10" x 12-3/8"



**Lobster Boat**  
Order #3207  
14-1/4" x 8-1/2"



**Friendship Sloop**  
Order #3202  
10" x 10"



**Herreshoff 12 1/2**  
Order #3206  
9-7/8" x 11-1/2"



**Compass Rose**  
Order #3150  
9" diameter



**Great Gift Idea!**

**Mount on Your Home Deck!**



**Cape Cod Catboat**  
Order #3201  
9" x 11"



**Chesapeake Bay Skipjack**  
Order #3203  
10" x 9-1/2"



**Striped Bass**  
Order #3204  
14-7/8" x 8-1/2"



**Tancook Whaler**  
Order #3200  
10" x 9-1/2"



## Cast Nautical Stars

Great Gift Ideas!

These classic Nautical Stars are cast in stainless and are highly polished for a gleaming silver look. They are perfect for plaques, add a nautical touch to homes when mounted to railing posts or doors, or make a great desk paper weight for your favorite boater. Dress up your boat's transom on either end of your boat's name - it will make her shine! Don't just name a star after someone, give them their very own! Any where you want that classic nautical look, these stars are the perfect accessory.

Available in 4" (102mm), 5" (127mm) and 6" (152mm) diameters and each ach have a 1/4" threaded hole in the back center for mounting. Navy blue Corian® mounting available at extra charge.

**4" Polished Stainless Nautical Star - Order #3300ST-4**

**5" Polished Stainless Nautical Star - Order #3300ST-5**

**6" Polished Stainless Nautical Star - Order #3300ST-6**

**6" Polished Bronze Nautical Star - Order #3300BR-6**

**Ideal for:**

- Award Plaques
- "Nautical" Home Railing Posts
- Boat Transom Names
- Paper Weights
- Door Decorations
- The Perfect Gift for Any Boater



## Edson Bronze Spline Weights

Edson is pleased to present Bronze Spline Weights for use by yacht designers, boatbuilders, and design students. These classic design tools are used in conjunction with long, flexible battens or 'splines' to draw fair curves while drawing a boat's lines and during the lofting process.

The past is present. This yacht design tool of a bygone era is a proven invaluable tool for design students in the computer age. They are also a practical tool for boat builders, as generating full size plans for construction often requires ducks and battens on the lofting floor. They also make a great gift item, paperweight or conversation piece.

Edson's version of the timeless tools are cast in our own New England foundry and feature a padded felt bottom and the traditional "duck" or "whale" design. They have side indents for easy handling, as well as a slightly raised "tail" for lifting and repositioning. Each one weighs 3 lbs, 10oz. (1.65kg) and are 7-1/4" long x 1-7/8" wide.

**Set of Six Bronze Spline Weights - Order #3500-set**

**Individual Bronze Spline Weight - Order #3500-1**

- Solid Cast Bronze
- Padded felt bottom
- Side Indents for easy handling
- Raised 'tail' for lifting and repositioning
- Weight : 3lbs., 10oz.
- Dims: 7-1/4" long x 1-7/8" wide



# Cockpit Tables

Edson's Cockpit Tables increase the versatility of your Edson Pedestal and turn the cockpit into the social center of your boat. The many different styles available are all constructed of Solid Teak or White Poly and come complete with stainless mounting hardware. Edson's Cockpit Tables have earned the reputation as the highest quality, best built tables on the market!

## Fold-Down Drop-Leaf Tables

**Edson's Fold-Down Drop-Leaf Tables** turn your cockpit into a comfortable dining area. They fold down and clip against the guard when not in use. By simply swinging the table up and clipping the formed wire brackets into place, the table is ready for use.

**DIMENSIONS - Teak:** Closed 27" x 13" (686mm x 220mm)  
 Open 27" x 26" (686mm x 661mm)  
**Poly:** Closed 26" x 15" (660mm x 381mm)  
 Open 26" x 30" (660mm x 762mm)



Shown varnished - tables are supplied unvarnished.



**NEW!**  
 Now Featuring  
 Clamp-On Table  
 Hardware - No  
 Drilling Required!



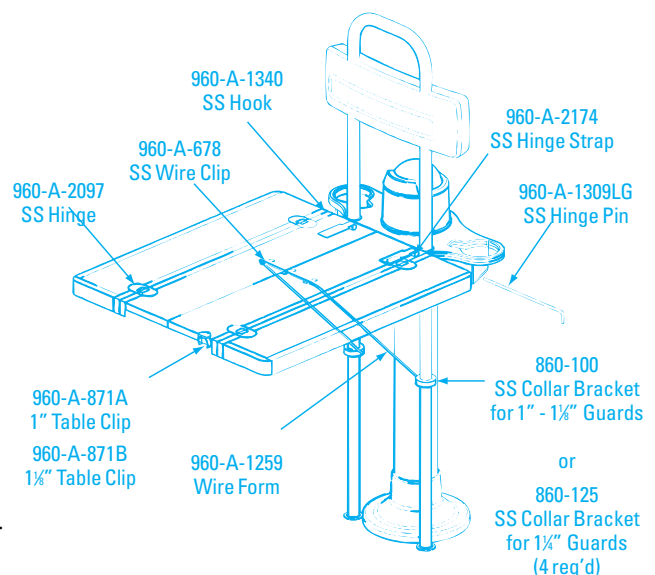
#737WH

### Edson Teak Tables :

- Solid Teak Construction
- Easily removable for storage
- Installs in minutes
- Non-Magnetic Stainless Hardware
- No Legs to get in the way!
- Quick-Release pin for easy removal.
- All Fasteners are Stainless and Bunged.
- Clip holds Table firmly to Pedestal Guard when folded down.
- Natural Teak, ready for the finish of your choice.

### Edson Poly Tables:

- Constructed of solid, UV Stable white marine-grade polythylene.
- Non-Magnetic Stainless Hardware
- Easily removable for storage.
- No Legs to get in the way!
- All Stainless Fasteners
- Will not rot, swell or delaminate when exposed to humidity or moisture.
- Scuff and scratch resistant.



## Fold-Down Luncheon Tables



Teak Luncheon Table - #761TK - see ordering guide for options

Edson's Fold-Down Luncheon Tables are designed to offer a very handy table to fit smaller cockpits and are an ideal cockpit cocktail table. Measuring 13½" x 24" (34.3 x 61 cm) and equipped with fiddle rails on both sides and ends, the Luncheon Table is available in both Teak and White Poly. When not in use, the table folds flat against the guards or can be easily removed from its guard mounted strap by pulling out the hinge pin. Comes complete with all mounting hardware.



Also available with hardware for Console or Vision Series Pedestal Mounting (see ordering guide)



White Poly Luncheon Table - #761WH

## Spare Table Clips

Edson's Fold-Down Tables can be stowed right at the pedestal. By simply swinging the table up and clipping the wire form into place, the table is ready for use. The Fold-Down Tables feature a quick release pin for complete removal. All Edson Fold-Down Tables also come complete with **Edson's Table Clip** to hold the table securely against the guard when table is down.

**Two Spare Table Clips -**  
**1" - Order #960-A-871-A**  
**1½" - Order #960-A-871-B**



### EDSON COCKPIT TABLE ORDERING GUIDE

Description	Weight Each	Order #
<b>Teak Fold Down Drop Leaf Tables</b>		
For Edson 9½" Guard (1" and 1-1/8" dia. pipes)	25 lbs (11.3 kg)	737TK-95-28
For Edson 9½" Guard (1-1/4" dia. pipes)	25 lbs (11.3 kg)	737TK-95-28-125
For 12½" Guard (1" and 1-1/8" dia. pipes)	25 lbs (11.3 kg)	737TK-125-28
For Vision Series / Console Pedestals	25 lbs (11.3 kg)	737TK-C-28
<b>White Poly Fold Down Drop Leaf Tables</b>		
For Edson 9½" Guard (1" and 1-1/8" dia. pipes)	34 lbs (15.4 kg)	737WH-95-28
For Edson 9½" Guard (1-1/4" dia. pipes)	34 lbs (15.4 kg)	737WH-95-28-125
For Vision Series / Console Pedestals	34 lbs (15.4 kg)	737WH-C-28
<b>Teak Fold Down Luncheon Tables</b>		
For Edson 9½" Guard (1" and 1-1/8" dia. pipes)	13 lbs (5.9 kg)	761TK-95
For Edson 9½" Guard (1-1/4" dia. pipes)	13 lbs (5.9 kg)	761TK-95-125
For Vision Series / Console Pedestals	13 lbs (5.9 kg)	761TK-C-28
<b>White Poly Fold Down Luncheon Tables</b>		
For Edson 9½" Guard (1" and 1-1/8" dia. pipes)	16 lbs (7.3 kg)	761WH-95
For Edson 9½" Guard (1-1/4" dia. pipes)	16 lbs (7.3 kg)	761WH-95-125
For Vision Series / Console Pedestals	16 lbs (7.3 kg)	761WH-C-28



## Cast Stainless Drink Holders



Triple - Guard Mount - Teak Base  
#878TK-3-95



- Cast from solid marine-grade 316 stainless.
- Available in single, double or triple versions.
- Available with cast stainless brackets for mounting to Edson Steering Pedestal Guard Pipes, within easy reach of captain and crew.
- Also available either alone, for mounting to a flat surface or mounted to a base (white poly or unvarnished teak) for easy portability to a convenient location anywhere on the boat.
- Designed to fit Koozies, cans, mugs and large cups up to 3-3/8" in diameter.
- Elegant design features an open frame to accommodate coffee cup handles.
- Sit 3" high when installed and are highly polished in Edson's classic "boat jewelry" style.
- Well-rounded edges and a sleek design will look great on any boat.
- For installation, an installed threaded stud allows a secure through bolt installation and a locator stud (on single and double versions) keeps them from turning once in place. And since they are cast in marine-grade stainless they won't rust, bend or break.



Threaded stud for mounting and locator pin to keep from rotating. Rubber Gasket, Washer and nut included.



Single  
#878ST-1



Single - Vertical Mount  
#878ST-1V



Double  
#878ST-2



Triple  
#878ST-3

### STAINLESS DRINK HOLDER ORDERING GUIDE

Order #	Description	Wt lbs (kg)
878ST-1	Stainless Single Drink Holder	.5 (.22)
878ST-1V	Stainless Single Drink Holder - Vertical Mount	.5 (.22)
878WH-1	Stainless Single Drink Holder - White Poly Base	1 (.45)
878TK-1	Stainless Single Drink Holder - Teak Base	1 (.45)
878ST-2	Stainless Double Drink Holder	1 (.45)
878WH-2	Stainless Double Drink Holder - White Poly Base	1.5 (.68)
878TK-2	Stainless Double Drink Holder - Teak Base	1.5 (.68)
878ST-3	Stainless Triple Drink Holder	2 (.9)
878WH-3	Stainless Triple Drink Holder - White Poly Base	3 (1.4)
878TK-3	Stainless Triple Drink Holder - Teak Base	3 (1.4)
878WH-3-95	Stainless Triple Drink Holder - White Poly Base - Guard Mount	3.5 (1.6)
878TK-3-95	Stainless Triple Drink Holder - Teak Base - Guard Mount	3.5 (1.6)

NOTE: Guard Mount hardware is designed to fit 1", 1-1/8" and 1-1/4" guard pipes.

## Clamp-On Drink Holders

Edson's new **Stainless Clamp-On Drink Holders** are cast from solid marine-grade 316 stainless and come in single and double versions. They are available with cast stainless brackets for mounting to Edson Steering Pedestal Guard Pipes. Edson's new drink holders are designed to fit Koozies, cans, mugs and large cups up to 3-3/8" in diameter. The elegant design also features an open frame to accommodate coffee cup handles. The drink holders sit 3" high when installed and are highly polished in Edson's classic "boat jewelry" style. They also feature well-rounded edges and a sleek design that will look great on any boat.



#878WH-2-125

#878WH-1-125



#878TK-1-125

#878TK-2-125



Item	Order #
Single Clamp-On Drink Holder - White Poly	878WH-1-125
Double Clamp-On Drink Holder - White Poly	878WH-2-125
Single Clamp-On Drink Holder - Teak	878TK-1-125
Double Clamp-On Drink Holder - Teak	878TK-2-125

## Hardware Kits for Do-It-Yourselfers

Edson's "Hardware Only" Kits are for the handyman who wishes to design and build his own cockpit table or accessories based on Edson's tried and true designs. Select the size table you prefer and match with the hardware shown here. All kits are complete with instructions and stainless hardware.



#859-8



#860-125



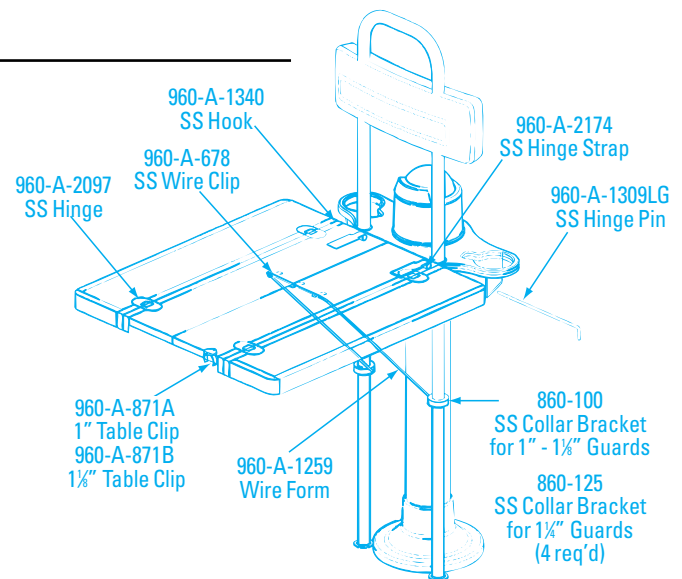
#785-761 Table Hardware



#960-B-1280



#860-100



### HARDWARE KIT ORDERING GUIDE

Order #	Used On	Wt lbs (kg)
785-737-95	#737 Drop Leaf Table w/ 9.5" Guards (includes Hinges)	3 (1.4)
785-737-125	#737 Drop Leaf Table w/ 12.5" Guards (includes Hinges)	3 (1.4)
785-737-95-125	#737 Drop Leaf Table w/ 9.5" Guards and 1 1/4" dia. (includes Hinges)	2 (.9)
785-761-95	#761 Luncheon Tables w/ 9.5" Guards	2 (.9)
785-761-125	#761 Luncheon Tables w/ 12.5" Guards	3 (1.4)
785-761-95-125	#761 Luncheon Tables w/ 9.5" Guards and 1 1/4" dia.	2 (.9)
785-761-C28	#737 Drop Leaf and #761 Luncheon Tables for Consoles	2 (.9)
859-8	All Glass Holders	.2 (1.1)
860-100	Clamp-On Table Mounting Hardware for 1" - 1 1/2" Guards	.17 (.3)
860-125	Clamp-On Table Mounting Hardware for 1 1/2" Guards	.17 (.3)
960-B-1280	Console Table Mounting Bracket	.25 (1.2)

# Steering Wheel PowerKnobs

## Pro-Series PowerKnob™



Edson's PowerKnobs strap or bolt onto the rim of virtually any make of steering wheel. With the feel of precision engineering, twin races of fast action Delrin® ball bearings and a comfortable ergonomic shape, it is possible to effortlessly maneuver any boat, from a flats boat, center console or runabout to a sportfish, motoryacht or trawler with the Edson PowerKnob.

### Loaded with Benefits:

- Helps you back down with precision and confidence.
- Comfortable ergonomic shape.
- Gives your helm the look and feel the pro's love.
- Makes big turns Quick and Effortless.
- No more hand-over-hand steering!
- All tools needed for installation are included.
- Ideal for hydraulic and cable steering systems.

### Filled with Features:

- Stainless Knob is hand polished to a mirror finish.
- Teak Knob built of same high quality stainless components.
- Fits all wheel rims from 5/8" to 1 1/8" diameter.
- Twin races of super smooth Delrin® ball bearings.
- 25 Year Warranty.\*
- Knob can be strapped or bolted on to wheel rim\*\*.

### Available In:

- ComfortGrip™ Stainless
- Polished Stainless
- Black Composite - Sportsman™ Series

\* On Pro-Series models only. Warranty excludes straps, colors and finishes.

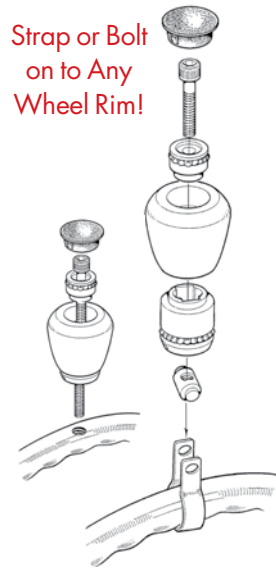
\*\* Bolt-on version for solid wheel rims only.



*"Out in the flats it always seems I need three hands. The Edson PowerKnob lets me easily steer one-handed, leaving a hand free for the throttle, a rod, net, or to reach for my pliers. This wheel looks like a piece of jewelry, but it's built like a tank."*

Capt. Lindsay Harper, Flats Guide  
Key West, FL

Strap or Bolt  
on to Any  
Wheel Rim!





## ComfortGrip™ PowerKnob

We've taken all the features of our proven Stainless PowerKnob and added rubber finger grips for even greater comfort and control! Soft rubber insert will stand up to the harshest environments without cracking or discoloring. A great addition to any wheel, it particularly compliments our ComfortGrip Steering Wheel.

**Stainless ComfortGrip .....#969ST-18CG**



## ProSeries™ PowerKnob

Edson's classic Stainless Powerknob is hands-down the best available on the market today. Available in three different finishes to compliment any boat, this is one accessory you won't know how you lived without.

**Stainless ProSeries.....#969ST-18**



## Sportsman Series™ PowerKnob

As a follow-up to its extremely popular Stainless Pro-Series PowerKnob line, Edson's rugged and economical Sportsman Series™ PowerKnob features the same ball-bearing design and ergonomic shape as the ProSeries. The Sportsman Series Knob is built of black polymer and marine-grade stainless with precision milled bearing races.

**Composite Sportsman Series .....#967-18BL**



### EVERYTHING YOU NEED IS INCLUDED!

- PowerKnob
- Two Wheel Straps
- Allen Wrench
- Mounting Bolt

## Wheel Storage Device

- **Make more room in your cockpit when you're not sailing!**
  - Store your wheel out of the way with Edson's Wheel Storage Device.
  - Investment cast 316 stainless, polished to a mirror finish
  - Can be mounted vertically or horizontally to any 1" or 1/4" diameter pushpit, railing or stanchion.
  - Check your wheel for a straight or tapered hub.
- Straight Hub Wheel Storage Device Only - Order #683-1S**  
**Straight Hub/Quick Nut Combo (3/4"-10 nut) - Order #680-3/4-10S**  
**Straight Hub/Quick Nut Combo (1"-14 nut) - Order #680-1-14S**  
**Tapered Hub Wheel Storage Device Only - Order #683-1T**  
**Tapered Hub/Quick Nut Combo (5/8"-18 nut) - Order #680-5/8-18T**



## Wheel Nuts

Attention to detail is the keynote of these Edson Wheel Nuts. Available in highly polished Investment Cast 316 Stainless or traditional Polished Brass. Measure your steering shaft thread for the correct size.

- Stainless Wheel Nut with 1"-14 Shaft Threads - Order #673ST-1-14**
- Stainless Wheel Nut with 3/8"-18 Shaft Threads - Order #673ST-3/8-18**
- Stainless Wheel Nut with 3/4"-10 Shaft Threads - Order #673ST-3/4-10**
- Stainless Wheel Nut Kit (for 1", 5/8", 1/2" & 12mm) - Order #673ST-KIT**
- Brass Wheel Nut with 1"-14 Shaft Threads - Order #673BR-1-14**
- Brass Wheel Nut with 5/8"-18 Shaft Threads - Order #673BR-5/8-18**
- Brass Wheel Nut with 3/4"-10 Shaft Threads - Order #673BR-3/4-10**
- "Star" Nut for thru-shaft brake steerers - Order #960-A-2105**



## Quick Release Wheel Nuts

Want to get your wheel out of the way to give you more room in your cockpit at anchor or at the dock? It's easy with Edson's New Quick Release Wheel Nut. Simply give the knurled knob a few turns and pull the wheel off the shaft. No need for other tools or wrenches. Large 2 1/2" diameter provides easy grip. Highly polished Investment Cast 316 Stainless has superior strength as well as good looks. **Not for use with thru-shaft brakes.**

Wt. 1 lb (.45 kg).

- Quick Release Nut with 1"-14 Shaft Threads - Order #826ST-1-14**
- Quick Release Nut with 3/8"-18 Shaft Threads - Order #826ST-3/8-18**
- Quick Release Nut with 3/4"-10 Shaft Threads - Order #826ST-3/4-10**



### IMPORTANT!

#### Important Ordering Information

Many Edson pedestals produced after January 2000 use wheel nuts with 3/8"-18 shaft threads; Edson pedestals built from 1979-1999 use wheel nuts with 1"-14 shaft threads; Edson and Yacht Specialties Pedestals dating prior to 1979 use wheel nuts with 3/4"-10 shaft threads. If your boat was built on or around the year 2000, please check the measurement of your shaft carefully.

# Leather Wheel Rim Covers

## Deluxe Leather Wheel Covering Kits



Great Gift Idea!



Edson's do-it-yourself Leather Wheel Covering kits look great and make any wheel softer and warmer to the touch. Each kit includes a pre-punched leather cover, double sided sticky tape, thread, needle and complete instructions. Measure the diameter of your steering wheel and choose from the ordering guide below. Available Dove Gray. Wt. 1.5 lbs (.68 kg)

## "Comfort Grip" Leather Wheel Covering Kits



Create your own luxury steering wheel with Edson's exclusive "Comfort Grip" Leather Wheel Covering Kit. "Comfort Grip" cushions the wheel and has contoured finger grips on the inside of the wheel rim. Measure the diameter of your steering wheel and choose from the ordering guide below. Available in Dove Gray. Wt. 2.2 lbs (1 kg).



Only Edson uses Orthopedic Grade Cowhide - considered to be the highest quality leather available. It stays supple even when subjected to harsh marine environments!

### LEATHER WHEEL RIM COVER ORDERING GUIDE

Leather Wheel Rim Covers for Edson Flat Destroyer Wheels with older 7/8" diameter oval shaped rims and Diamond Series Wheels (see diagram below)

WHEEL DIAMETER	GRAY LEATHER KIT	GRAY LEATHER COMFORT GRIP KIT	GRAY LEATHER INSTALLED	GRAY LEATHER COMFORT GRIP INSTALLED
up to 20"	#733-15-20-GR	#733CG-15-20-GR	#716-15-20-GR	#716CG-15-20-GR
22" - 30"	#733-22-30-GR	#733CG-22-30-GR	#716-22-30-GR	#716CG-22-30-GR
32" - 40"	#733-32-40-GR	#733CG-32-40-GR	#716-32-40-GR	#716CG-32-40-GR
42" - 60"	#733-42-60-GR	#733CG-42-60-GR	#716-42-60-GR	#716CG-42-60-GR
62" - 72"	#733-62-72-GR	#733CG-62-72-GR	#716-62-72-GR	#716CG-62-72-GR

Leather Wheel Rim Covers for Edson Dished Destroyer Wheels (#645 and #647) or wheels with 1" diameter "D" shaped rims (see diagram below)

WHEEL DIAMETER	GRAY LEATHER KIT	GRAY LEATHER COMFORT GRIP KIT	GRAY LEATHER INSTALLED	GRAY LEATHER COMFORT GRIP INSTALLED
up to 20"	#733-15-20-GR1	#733CG-15-20-GR1	#716-15-20-GR1	#716CG-15-20-GR1
22" - 30"	#733-22-30-GR1	#733CG-22-30-GR1	#716-22-30-GR1	#716CG-22-30-GR1
32" - 40"	#733-32-40-GR1	#733CG-32-40-GR1	#716-32-40-GR1	#716CG-32-40-GR1
42" - 60"	#733-42-60-GR1	#733CG-42-60-GR1	#716-42-60-GR1	#716CG-42-60-GR1
62" - 72"	#733-62-72-GR1	#733CG-62-72-GR1	#716-62-72-GR1	#716CG-62-72-GR1

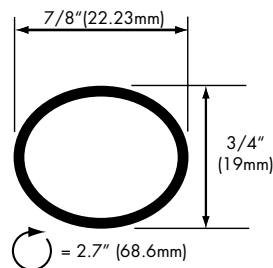


### IDEA

#### LET EDSON DO THE JOB FOR YOU!

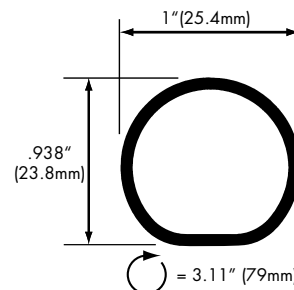
When ordering a new wheel, request an Installed Leather Cover or send us your existing wheel, and Edson will install the Leather Wheel Cover for you—we will even provide a loaner wheel up to 40". See Ordering Guide above for information.

### OLDER "OVAL SHAPED" 7/8" RIM (PRE-2000)



\*Not shown actual size

### NEWER "D SHAPED" 1" RIM



## Leather Spreader Boot Kits



- Custom-cut, hand-stitched Leather
- Will protect your sails from costly tears and chafe, providing you peace of mind at sea.
- Leather has been used by mariners for centuries to prevent premature wear of their sails.
- Will easily outlast and outperform materials of lesser quality, like rubber or tape, when exposed to sun and salt in the harsh marine environment.
- Each kit includes two pre-punched Dove Gray Leather Spreader Boot Covers, heavy waxed polyester thread for lacing, hand-stitching needle and instructions.

### LEATHER SPREADER BOOT KIT ORDERING GUIDE

Order #	Circumference	Diameter	Size
#1401-1	3 1/2"	1"	Small
#1401-2	6 3/4"	2"	Medium
#1401-3	9 1/2"	3"	Large

## Leather Turnbuckle Covers

Edson's Leather Turnbuckle Covers add a distinctive look while protecting your lines and sails from premature wear.

- These high quality turnbuckle covers will not crack or deteriorate like plastic and offer more complete coverage, are better looking and longer lasting than tape.
- Add the look and feel that only comes with leather.
- Available in Dove Gray
- They are attached and removed easily with pre-fastened, industrial grade hood-and-loop strips.
- Sold individually.

### LEATHER TURNBUCKLE COVER ORDERING GUIDE

Order #	Fits Turnbuckles	Dimensions	Size
#1405-12	3/8"	1" x 12"	Small
#1405-14	1/2"	1 1/2" x 18"	Medium
#1405-24	3/4"	1 3/4" x 24"	Large



## Leather Shackle Pulls



When hands are cold, tired and wet, sometimes they need a little assistance with stubborn snap shackles and sticky zippers. Edson's custom-cut Dove Gray Leather Shackle Pulls are durable and the "whale tail"

design prevents them from coming undone. Attach them to anything you need to get your hands on quickly. Snap shackles and blocks, zippers on your foul weather gear, luggage zippers, cushion zippers,

quick-release pins - you name it and you will wonder how you got this far without them.

Sold in packages of 10.

**Edson Leather Shackle Pulls (Package of 10) - Order #1404-5**

## Leather Chafing Gear

Edson's Leather Chafing Gear is ideally suited for protecting mooring lines, anchor rodes, dock lines and spreader tips.

### DOVE GRAY LEATHER

**2 1/2 Sq. ft - Order #858GRAY-2.5**

**5 1/2 Sq. ft - Order #858GRAY-5.5**

**11 Sq. ft - Order #858GRAY-11**

**22 Sq. ft - Order #858GRAY-22**

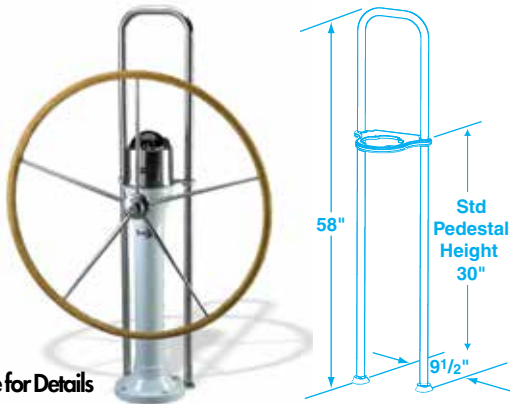


Edson's Pedestal Guards are designed to protect your compass and to provide a firm handhold for your crew. The Guard is narrow enough for crew members to slide by and it affords extra protection on those boats with a mainsheet traveler just forward of the pedestal.

- Marine-Grade Stainless Construction
- Provides the ability to mount convenience items such as Cockpit Tables, Drink Holders, Chart Board, Instrument Housings, etc.
- All Edson Guard Kits come complete with Stainless Guard Tube, Stainless Top Plate and Stainless Guard Feet.
- Three versions to accommodate various instrument and housing combinations.
- Extra Large 1 1/8" Diameter Tubing on 9 1/2" (24.1 cm) wide centers gives more space for instrument wiring.

## 58" Straight Guard

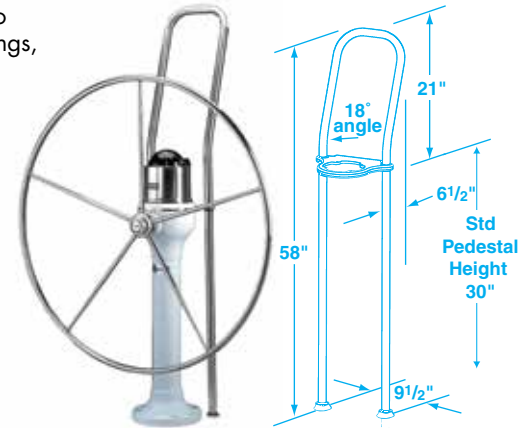
Provides protection for your compass, a convenient handhold and the ability to mount Instrument Housings, Radar Pods or multiple displays while increasing their visibility.



**Order #1600**  
See Ordering Guide for Details

## 58" Angled Guard

Gives you extra room to install Instrument Housings, Radar Pods or multiple displays while the new angle increases their visibility.

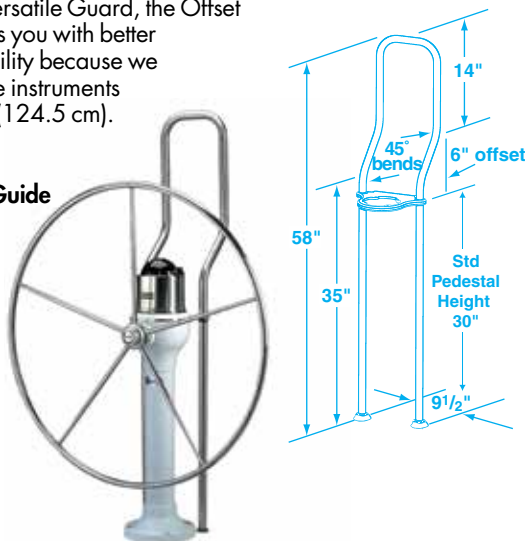


**Order #1620**  
See Ordering Guide for Details

## 58" Offset Guard

Edson's most versatile Guard, the Offset Guard provides you with better instrument visibility because we have moved the instruments forward by 7" (124.5 cm).

**Order #1610**  
See Ordering Guide for Details



### Replacement Stainless Top Plates and Guard Feet



**Stainless Top Plate**

Included with all Pedestal Guard Kits, Edson's **Stainless Top Plate** is made of Investment-cast 316 Stainless and polished to a mirror finish. It will accommodate 1", 1-1/8" and 1-1/4" pedestal guard tubing on 9-1/2" centers with the provided plastic bushings. These also provide rattle-free isolation between the stainless tubes and top plate, making removal in the future easier. It can be ordered separately, so you can upgrade your older pedestal with the white aluminum version.

#### Stainless Top Plate Only

For 335 & 336 Pedestals - Order #1625ST-45

For #400, 402 & 464 Pedestals - Order #1625ST-6



**Stainless Guard Feet Kit - Order #310ST-100-125**

#### Stainless Guard Feet

Can also be ordered in pairs as a direct replacement for Edson's black plastic feet. Gasket and bushing allow for mounting 1", 1-1/8" or 1-1/4" guard pipes. Nuts and washers included.

### PEDESTAL GUARD KIT ORDERING GUIDE

Edson Pedestal Guard kits come complete with Stainless Guard Pipe, Top Plate and Feet. All are 9 1/2" wide on center. The Guard Top Plate fits directly on top of the Pedestal or Engine Control. The diameter of the Pedestal Bowl defines the proper kit size to order.

To Fit Pedestal	Pedestal Bowl Top Dia.	Order #			Stainless Top Plate Only
		58" Straight Guard Kit (Each includes Stainless Top Plate and Feet)	58" Offset Guard	58" Angled Guard	
335, 336, 337	6 1/2" (17.2 cm)	1600-45-58S	1610-45-58OS	1620-45-58A	1625ST-45
400, 402, 464 CDI Classic	8" (20.3 cm)	1600-6-58S	1610-6-58OS	1620-6-58A	1625ST-6
<b>1 1/8" Guard Pipe Only</b>	N/A	960-B-781	960-B-782	960-B-784	N/A
<b>SS Guard Feet Only</b>	N/A	#310ST-100-125 (for all sizes)			N/A

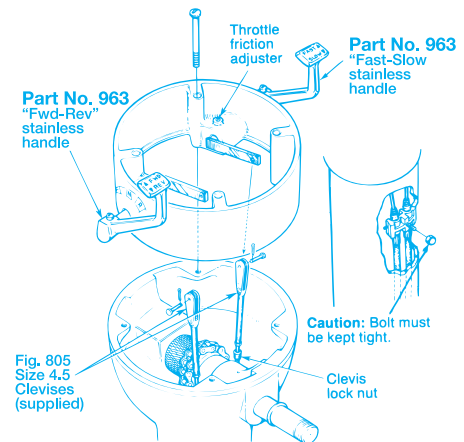
# Engine Controls - Dual Lever

**Edson's Standard Clutch and Throttle Control** features matching stainless control handles which are conveniently located on each side of the pedestal and are clearly marked for "Forward" and "Reverse", "Fast" and "Slow". For precision speed control there is a Throttle Friction Adjustment Screw inside the housing. This control is easy to install and can be used with any transmission that uses 33 Series (Edson #734) cables such as: Hurth and Borg Warner Velvet Drive Transmissions typically found on Universal, Ford Lehman, Yanmar and Westerbeke engines. *This control should only be used where pulling on the clutch cable end engages the transmission in forward gear. If the opposite occurs, the #816 shown below should be used.*

**Clutch & Throttle Control for 334, 335, 336 & 337 Pedestals - Order #870ST-45**  
**Clutch & Throttle Control for 400, 402 & 403 Pedestals - Order #870ST-6**



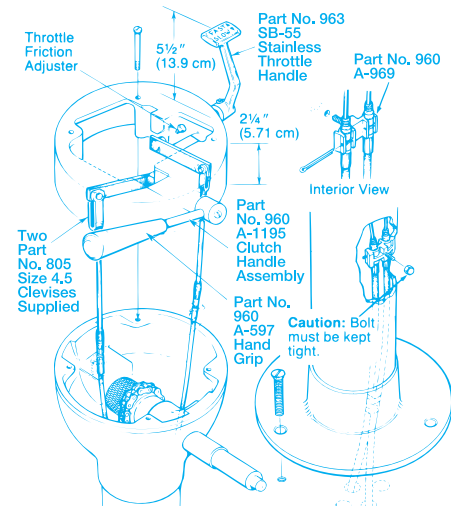
**#870ST Engine Control** includes Clutch and Throttle Control Housing, Stainless Handles, Clevises, Cable Holder, and all necessary hardware.



**GO TO**  
**See Page 19 for Engine Control Cables**

**Edson Clutch and Throttle Control** is designed for transmissions that go into reverse when the cable is extended at the pedestal end. Also for harder to shift transmissions. Only for transmissions that specify 33 Series (Edson #734) Control Cables. The clutch handle is 6" (152mm) long and is easily operated up and down by reaching over the wheel. The Throttle Handle is polished Stainless and clearly marked for "Fast" and "Slow" speeds. A Throttle Friction Adjustment Screw and a Clutch Travel Limiter are standard features.

**Clutch & Throttle Control for No. 334, 335, 336 & 337 Pedestals - Order #816ST-45**



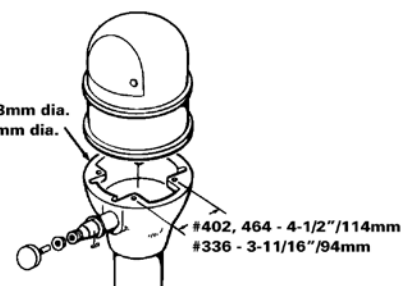
## Tech Tip

### How do I determine which Edson Pedestal I have?

Edson makes two sizes of Classic Pedestals: a 300 Series with 6-7/8" diameter top (often referred to as size 45, since they will hold a compass with a 4" or 5" card), and a 400 Series with 8" diameter top (often referred to as size 6, since they will hold a compass with a 6" card).

When ordering pedestal accessories, look for size 45 for 6-7/8" 300 Series Pedestals and size 6 for 400 Series 8" Pedestals.

#402, 464 - 8" / 203mm dia.  
 #336 - 6-7/8" / 174mm dia.

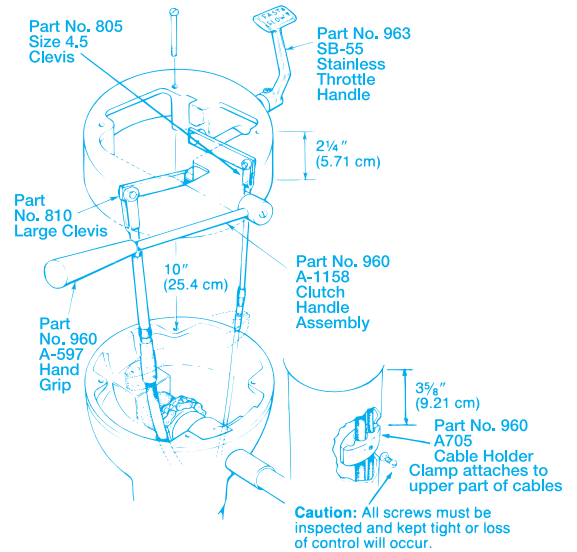


Edson "Mechanical Shift" Clutch and Throttle Control is designed for use with 64 Series (Edson #735) Transmission Cables and 33 Series (Edson #734) Throttle Cables. The clutch handle is 10"(254mm) long to provide increased shifting leverage for Atomic 4 and other hard to shift transmissions. The Part No. 963SB-55 Throttle Handle is polished Stainless and clearly marked for "Fast" and "Slow" speeds. A Throttle Friction Adjustment Screw is a standard feature.

**Clutch & Throttle Control for No. 334, 335, 336 & 337 Pedestals – Order #751ST-45**



#751ST Engine Control includes all of the parts shown in the above photo.



**Engine Control Installation Guidelines**

1. All Edson Dual Lever engine controls are designed to be used with only those engine transmissions having detents to locate and hold the transmission in gear.
2. Lead cables under the deck using a minimum number of bends with a generous radius. The degree of bend in the cable, when all bends are added together, **should not exceed 270 degrees**. Tape or clamp to several structural members to reduce cable lost motion and prevent interference with sheaves and wire rope.
3. Cables may be adjusted by screwing the clevises at the engine control or engine end in or out, or by attaching the clevis at a different position on the shift or throttle levers at the engine end.
4. If engine vibration causes unwanted throttle movement, adjust throttle friction adjuster.
5. Those on board must be familiar with the maintenance and operation of the controls. All screws must be kept tight and cotter pins properly secured.

Type Control	Edson Shift Cable Used	Edson Throttle Cable Used	Max. Clutch Cable Throw	Max. Throttle Cable Throw	Approx. Max. Operator Input for a Properly Adjusted Transmission
#751	#735	#734	3 3/8" (86 mm)	3" (76 mm)	15 to 20 lbs. (6.8 to 9 kg)
#870	#734	#734	3" (76 mm)	3" (76 mm)	5 to 10 lbs. (2.2 to 4.5 kg)
#816	#734	#734	3" (76 mm)	3" (76 mm)	10 to 15 lbs. (4.5 to 6.8 kg)

Note: Max. cable throw figures on using Edson's standard 4" (10.2 cm) Column Pedestal.

**Stainless Pedestal Upgrade Kits**

Edson's Stainless Pedestal Upgrade Kit includes all of the pedestal items that have been upgraded from plastic to stainless steel over the years including Guard Feet & Top Plate, Wheel Nut, Engine Control Handles and Brake Knob. Four different models to choose from depending on your pedestal size and engine control handle configuration. See Tech Tip on pg 35 for pedestal sizing information.

**Kit Contents:**

- Stainless Throttle Handle - #963SB-55
- Stainless Clutch Handle - #963PT-55 or Black Plastic Clutch Handle - #960-A-597
- Stainless Wheel Nut (fits 1" or 3/4" threads with insert) - #673ST
- Stainless Top Plate - #1625ST-45 or #1625ST-6
- Stainless Guard Feet - #310ST-100-125
- Stainless Brake Knob - #825ST-1

For 300 Series 6-7/8" Dia. Pedestals - Order #315-870-45

For 300 Series 6-7/8" Dia. Pedestals with Black Clutch Handle - Order #315-751-816-45

For 400 Series 8" Dia. Pedestals - Order #315-870-6

For 400 Series 8" Dia. Pedestals with Black Clutch Handle - Order #315-751-816-6



#315-870



#315-751-816

# Engine Controls - Single Lever

**Edson's Side-Mount Single-Lever Engine Control** provides simple, safe, one-handed operation while maneuvering your boat under power. Mounted on the Pedestal with the choice of three different 1 1/2" diameter Stainless Pedestal Guard Pipes and a stainless Top Plate, it takes up virtually no additional cockpit space and incorporates positioning holes for quick mounting of any of Edson's Teak or Poly Cockpit Tables.

## Features of the Control:

- Single-Lever operation of both the clutch and throttle.
- Comes complete with Morse SL3 Engine Control Mechanism.
- Neutral Lockout—throttle can be operated without engaging transmission.
- Positive detents for transmission.
- Constructed of the highest quality non-magnetic marine-grade materials.
- Cast Aluminum Housing with Glossy White Baked-on urethane finish—matches Edson Pedestals.
- Highly polished investment-cast 316 Stainless Handle.
- Stainless Top Plate, Guard Pipes and Guard Feet Included.
- Mounts to the Edson Pedestal with choice of Three Different Pedestal Guard Pipes.
- Sized to fit 6-7/8" or 8" Edson Pedestal Bowls.
- Fits all Edson Pedestals Classic Style Pedestals with Thru-Shaft Brakes.
- Gasketed Housing—keeps moisture away from mechanism and cables.



Integrated Cockpit Table Positioning Holes allow easy mounting of Edson Teak or Poly Cockpit Tables without drilling.

**Edson Single Lever Engine Controls** are also available alone for bulkhead mounting.

- Stainless Handle, Stainless Faceplate and Gasket included
- Single Lever for intuitive control
- Uses Series 33 Control Cables
- Neutral Lock-Out Mechanism Revs Engine for Battery Charging
- Can mount on any Vertical Bulkhead

**Order #910-SL3-TAPER**



**Replacement Cover & Lockout Button**  
Order #313-910

## SIDE MOUNT SINGLE LEVER ENGINE CONTROL ORDERING GUIDE

To Fit Edson Pedestal	With 58" Straight Guard Order #	With 58" Angled Guard Order #	With 58" Offset Guard Order #
#336 (6-7/8" Dia. Pedestal Top)	1660-45C-58S	1660-45C-58A	1660-45C-58OS
#402, #464 (8" Dia. Pedestal Top)	1660-6C-58S	1660-6C-58A	1660-6C-58OS

**NOTE:** All sizes come complete with engine control mechanism, handle, housing, stainless top plate, guard pipe and feet. The installer furnishes the appropriate control cables. Not to be used with Atomic 4 or other hard to shift mechanical transmissions. Control must be used with Edson 1 1/2" Guards and Thru-Shaft Wheel Brake.



**GO TO**

**See Page 19 for Engine Control Cables**



## Stainless Engine Control Handles

Order these to upgrade your older Edson controls. Highly polished, marked "Fast-Slow" and "Fwd-Rev". They can be easily retrofitted onto existing Edson engine controls.

**Throttle Handle – Order #963SB-55**

**Clutch Handle – Order #963PT-55**



**Clutch Handle  
#963PT-55**

**Throttle Handle  
#963SB-55**



### IMPORTANT

- These handles are only for Edson's Dual Lever Engine Controls.
- Older pedestals with 10-32 engine control shaft threads **must** be retapped to 1/4"-28 in order accept the mounting screws supplied with these handles.

## Engine Control Cables

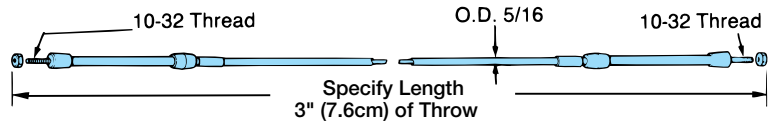
The proper engine control cables will have a dramatic effect on the performance of your engine control. Edson carries only premium, high-efficiency cables that feature a flexible inner core that allow for complex routing without stiffness.

Cables are not included with the engine controls because the length varies with each installation. For lengths available see Price Page.

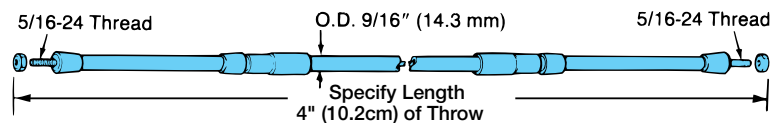
**33 Series Throttle and Clutch Cable - Order #734 (Specify Length)**

**64 Series Clutch Cable - Order #735 (Specify Length).**

### 33 Series Cable - #734



### 64 Series Cable - #735

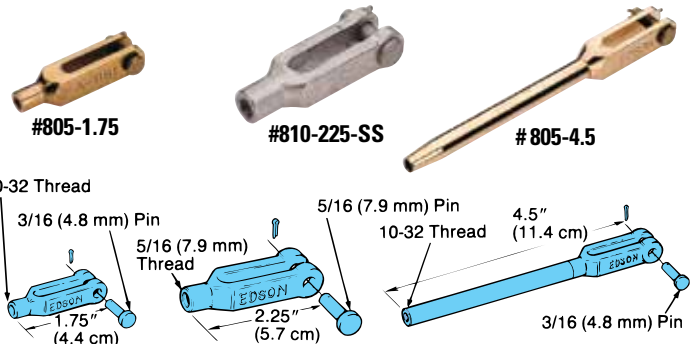


## Engine Control Clevises

Each engine control is supplied with solid bronze or stainless clevises with clevis pins for the engine control end. Extra clevises for the engine must be ordered separately.

#805-4.5 comes standard with #816 and #870 Controls.

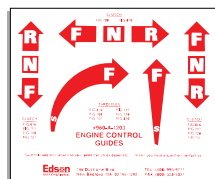
#810-225 accommodates 64 Series Cables and is included with #751 controls for the gear shift.



## Engine Control Decal

A red decal on your engine controls provides you and your guests with instructions at a glance. It is supplied with all new controls. Order a replacement if yours has become unreadable. Works for all engine controls.

**Order #960-A-1203**



## Engine Control Cable Clamps

**Nylon for 5/16" 33 Series Cable - Order #960-A-969**

**Aluminum for 9/16" 64 Series Cable - Order #960-A-705**



**#960-A-969  
(Use with #816 & #870 Controls)**



**#960-A-705  
(Use with #751 Controls)**

## Self Aligning Bearing

**Edson's Self Aligning Bearing.** Rugged all bronze bearing designed to take rudderpost loads as well as for Steerers and Rack and Pinion shaft bearings when used in conjunction with Part No. 679 Shaft Universals. Very good for all low speed rotating shafts where alignment is a problem (not to be used on propellers on high speed shafts). Part No. 629 Self Aligning Bearings are available in sizes 1" (2.5 cm) to 2" (5.1 cm). See price pages for all available sizes. *Weights range from 1.5 lbs (.7 kg) to 5.25 lbs (2.9 kg).*

**Self Aligning Bearings - Order #629A or 629B.**

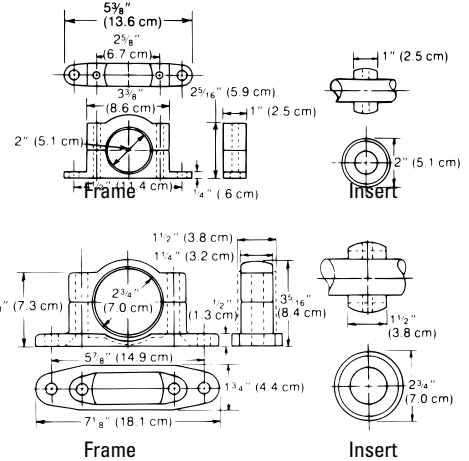
### #629A

Sizes available 1" (2.5 cm) to (3.8 cm) diameter. Weight 2 lbs (.9 kg).



### #629B

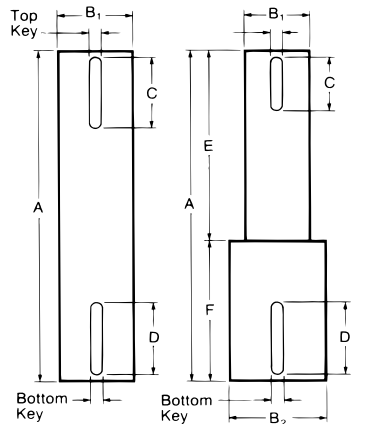
Sizes available from 1 1/2" (3.8 cm) to 2" (5.1 cm) diameter. Weight 6 lbs (2.7 kg).



## Rudderpost Extender

**Edson's Rudderpost Extender.** A shaft extension for Rack and Pinion and Worm Steerers where the existing rudderpost is too low in the cockpit. These Extenders are designed for use with Part No. 675 Couplings. Rudderpost Extenders are supplied with keyways at both ends. Type I Extenders have a uniform diameter along their entire length, and Type II Extenders have two diameters as shown. When ordering, specify type and provide sketch showing all dimensions.

**Rudderpost Extender - Order #782, Specify Type I or Type II.**



Type I

Part No. 782

Type II



## Shaft Universal

**Edson's Shaft Universal.** For use with Rack and Pinion Steerers and Worm Steerers. Allows the wheel to be tilted to the most comfortable angle when the rudder is extremely raked. For instructions on its use, see Rack and Pinion and Worm Steering sections. Note that a Part No. 629 Self Aligning Bearing must always be used with the universal. The universal is bored for a 1" shaft, machined with a 1/4" keyway, and has a breaking torque of 15,000 inch-pounds. Each end has a set screw. Universals can change shaft angles up to 30°. For maximum life, they should be packed in grease and booted.

*Wt. 3 lbs (1.36 kg).*

**Shaft Universal - Order #679-100**



## Bronze Shaft Couplings

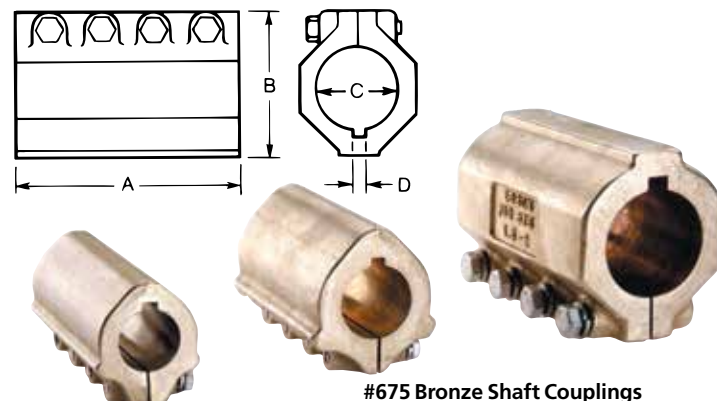
**Edson's Manganese Bronze Shaft Coupling.** Especially handy for connecting in-line steering wheel shafts of the same diameter. Also used with rudderpost extenders on Rack and Pinion and Worm Steerer installations where the existing rudderpost is too low. Fits shaft diameters from 1" to 2" (see Price Page). *Wt. 3 lbs (1.36 kg).*

**Bronze Shaft Coupling - Order #675 (Specify Shaft Diameter)**

### BRONZE SHAFT COUPLING SELECTION GUIDE

Dim.	Size 1.0 to 1.125	Size 1.25 thru 1.5	Size 1.625 thru 2.0
A	4" (10.1 cm) (1" to 1 1/2" bores)	4" (10.1 cm) (1" to 1 1/2" bores)	5 1/2" (13.3 cm) (1 1/2" to 2" bores)
B	2 1/8" (5.2 cm)	2 1/2" (6.3 cm)	3 1/4" (8.2 cm)
C	1" (2.5 cm) thru 1 1/8" (2.8 cm)	1 1/4" (3.2 cm) thru 1 1/2" (3.8 cm)	1 5/8" (4.1 cm) thru 2" (5.0 cm)
D	up to 1/4" (.63 cm)	1/4" (.63 cm) to 3/8" (.95 cm)	1/4" (.63 cm) to 1/2" (1.3 cm)

Special bore and key sizes upon request (see Price Page).

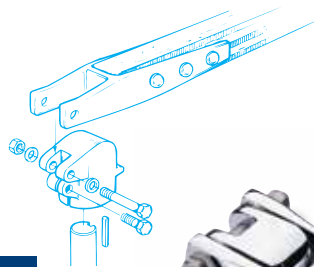


#675 Bronze Shaft Couplings

## Bronze Tiller Head Fittings

Edson's Bronze Tiller Head Fittings are hand cast in Edson's own foundry and have a classic look and feel that compliments both traditional and modern boats alike. Two sizes for rudderposts 1" dia or 1 1/4" to 1 1/2" dia. They are available in burnished bronze or chrome plated bronze.

See Ordering Guide for specs and Part #s.



Chrome Bronze Tiller Head Fitting

Bronze Tiller Head Fitting

### BRONZE TILLER HEAD FITTING ORDERING GUIDE

Finish	Order #	Rudderpost Dia.	Keyway	Tiller Width	Weight
BRONZE	965BR-100	1"	1/4"	1 1/2"	2.75lb(1.3kg)
	965BR-125-150	1 1/4" - 1 1/2" *	1/4"	2"	7lb(3.2kg)
CHROME	965CH-100	1"	1/4"	1 1/2"	2.75lb(1.3kg)
	965CH-125-150	1 1/4" - 1 1/2" *	1/4"	2"	7lb(3.2kg)

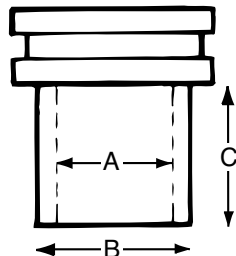
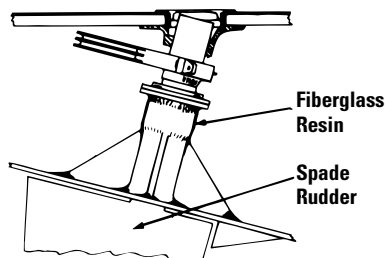
\* For size 125-150, specify exact bore size required between 1 1/4" and 1 1/2" Keyways in rudderposts should be facing forward.

## Stuffing Box / Bearings

Combines a rudderpost bearing with an above-the-waterline stuffing box for rudderpost sizes ranging from 1" (2.5 cm) diameter to 4 1/2" (11.4 cm). We recommend fiberglassing the stuffing box/bearing to the top of the tubing when the rudderpost is in place. This can be done easily using alternating layers of fiberglass mat and cloth. This makes the post a structural bearing and will help carry rudder loads with minimal friction. Custom sizes are available on request, but allow additional time.



Stuffing Box #697



### STUFFING BOX ORDERING GUIDE

For Rudderpost Diameter*	Order #	A**		B		C		Weight	
		in	mm	in	mm	in	mm	lb	Kg
1"	697-1.0	1	25	2	51	1.25	32	2.5	1.1
1 1/4"	697-1.125	1.125	29	2	51	1.25	32	2.5	1.1
1 1/2"	697-1.25	1.25	32	2	51	1.25	32	2.5	1.1
1 3/4"	697-1.375	1.375	35	2	51	1.25	32	2.5	1.1
1 1/2"	697-1.5	1.5	38	2	51	1.25	32	2.5	1.1
1 3/4"	697-1.625	1.625	41	2	51	1.25	32	3	1.4
1.660"	697-1.660	1.660	42	2	51	1.25	32	3	1.4
1 3/4"	697-1.75	1.75	44	2.44	62	1.25	32	3	1.4
1 3/4"	697-1.875	1.875	48	2.44	62	1.25	32	3	1.4
1.9"	697-1.9	1.9	48	2.44	62	1.25	32	3	1.4
2"	697-2.0	2.0	51	2.44	62	1.25	32	3.5	1.6
2 1/4"	697-2.25	2.25	57	3	76	1.25	32	3.5	1.6
2 3/8"	697-2.375	2.375	60	3	76	1.25	32	3.5	1.6
2 1/2"	697-2.5	2.5	64	3	76	1.25	32	4	1.8
2.860"	697-2.860	2.860	73	3.5	89	1.25	32	4	1.8
2 7/8"	697-2.875	2.875	73	3.5	89	1.25	32	4	1.8
3"	697-3.0	3.0	76	3.5	89	1.75	44	4.5	2
3 1/2"	697-3.5	3.5	89	4	101	1.75	44	4.5	2
4"	697-4.0	4.0	101	4	101	1.75	44	6	2.7
4 1/2"	697-4.5	4.5	114	5.125	130	1.75	44	6	2.7

\* Metric and Custom sizes available on request.

\*\* 'A' Dimension is actually bored +.030" over rudderpost size for proper clearance.

## Flax Packing for Stuffing Boxes

Waxed flax packing for re-lining your Stuffing Box.  
3/8" square x 16.5" long. Easily cut to fit.

3/8" x 16.5" Waxed Flax Packing - Order #960-A-288



# Accessories, Maintenance Kits and Spares

## Pedestal Wheel Brake for Pre-2003 Steerers

The **Edson Friction Brake for Pedestal Steerers** is designed to dampen the action of the wheel and is the most popular accessory for all steerers. Especially handy on long runs or when operating under power, these brakes can be used to secure the wheel under most conditions and will hold the boat on course while the helmsman trims a sheet or goes below. The brake can always be overridden by the helmsman. Brakes are constructed of bronze with long-lasting brake linings and are supplied with a stainless shaft and brake knob. For safety, the handle is designed to "pop off" if a line gets tangled around it. Edson pre-drills all holes required for the installation of the wheel brake which allows an Edson wheel brake to be retrofitted in approximately 20 minutes.

**NOTE:** Since 2003, all steerers feature thru-shaft wheel brakes and this brake kit is not applicable for these newer pedestals.



For replacement Brake Knobs on pedestals and steerers 2003 and later, contact Edson Customer Service for the proper size knob and shaft to fit your wheel and pedestal steering.

### DESCRIPTION

**Wheel Brake for older Edson Pedestals #334, 335 and 400.**  
**Wheel Brake w/8" Shaft for #410 Steerers**  
**Wheel Brake w/12" Shaft for #410 Steerers**  
**Stainless Replacement Knob**  
**Edson Brake Maintenance Kit**

### ORDER #

**#689ST-456**  
**#689ST-8**  
**#689ST-12**  
**#825ST-1**  
**#316-689**

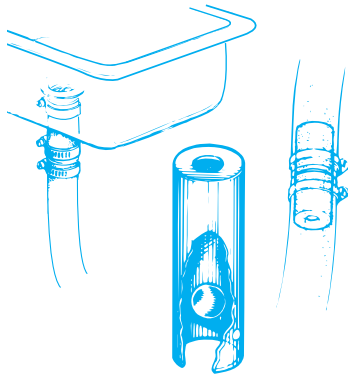


**Edson's Stainless Replacement Brake Knob** can be easily retrofitted onto your older Edson Pedestal. Easy press-on installation requires no tools.  
**Order #825ST-1**



**Edson's Brake Maintenance Kit** includes everything you need, including complete brake legs with pads, to bring new life to your side-mount Edson brake.  
**Order #316-689**

## Anti-Surge Valves



**Edson's Anti-Surge Valve** controls the flow of drain and bilge water in your boat with a simple floating ball. Use the anti-surge valve wherever the possibility of water backing up in drain lines exists. Ideal for head sinks, galley sinks, and anchor wells that fill when your boat heels over. These valves can also be used in limber holes and grid pan drains to keep bilge water from traveling. Comes complete with two Stainless hose clamps and is available in four sizes.

**Anti-Surge Valve for 3/4" ID Hose – Order #905-075**  
**Anti-Surge Valve for 1" ID Hose – Order #905-100**  
**Anti-Surge Valve for 1 1/4" ID Hose – Order #905-125**  
**Anti-Surge Valve for 1 1/2" ID Hose – Order #905-150**



## Prism Polish™

The best metal polish we've found for Edson stainless and bronze products. Prism Polish has been formulated to clean, polish and protect all metals in one application. Its protective coating is designed to last 3-6 months and contains no harsh acids, caustics or abrasives; its safe on all metals including stainless and bronze - perfect for polishing and protecting Edson Wheels (stainless and bronze), stainless hardware, parts and fittings, engine control handles, wheel nuts, brake knobs, drink holders, mounting arms - any polished Edson metal part!

**Prism Polish 6oz. Jar - Order #2475**



## Edson Pedestal Maintenance & Spares Kits



### Pedestal Maintenance Kit

Includes the parts needed for basic routine maintenance to keep your Pedestal running smoothly.

Includes:

- Snap Rings (2)
- Shaft Keys (2)
- Shaft Washer
- Teflon Grease
- Threadlock
- Pedestal Maintenance Guide

**Order #312-335-400**

### Pedestal Rebuild Kit

Bring new life to your older #335 Edson Pedestal with this complete Rebuild Kit.

Includes:

- Needle Bearings (2)
- Snap Rings (2)
- Shaft Keys (3)
- Shaft Washer
- Drive Pin
- Nylon Washers (2)
- O-Ring
- Teflon Grease
- Threadlock
- Pedestal Maintenance Guide

**Order #314-335**

### CD-i Geared Steering Pedestal Maintenance Kit

The ideal onboard maintenance & spares kit for any Edson CDi Geared Steering System.

Includes:

- 1- Right Hand Rod End with Nut
- 1- Left Hand Rod End with Nut
- 1- Wheel Shaft Key
- 1- SS Shaft Washer
- 1- SS Snap Ring
- 1- .5oz. Superlube Teflon Grease
- Maintenance Instructions

**Order #312-CDi**



### Brake Maintenance Kit

Just like your car, your boat's wheel brake needs periodic relining. This kit includes all you need to make your brake work like new again.

Includes:

- Bronze Brake Legs with Brake Pads (2)
- Cotter Pin
- Stainless Washer
- Nylon Bushing
- Removal & Installation Instructions

**Order #316-689**

*PLEASE NOTE: This kit is for Edson's side-mount wheel brakes only — not for thru-shaft wheel brakes.*



### Edson's White Touch-up Paint

Custom formulated to match Edson's white baked-on urethane powder coating finish. Ideal for small nicks and scratches in your Pedestal, Engine Control or other white powder-coated aluminum parts.

Includes 2 bottles per package.  
**Pre-2011 Pedestals - Order #333-1**  
**2011 and Newer - Order #333-2**

14 oz Lubricant  
#827-14



3 oz Lubricant  
#827-3

**Superlube®** is a Teflon® grease for use in all Edson Systems. Ideal for both conduit and needle bearing use.

**14 oz. Cartridge – Order #827-14**

**3 oz. Tube – Order #827-3**

**1/2oz. tube (not shown) - Order #827-.50**



### Thru-Shaft Brake Rebuild Kit

Replacement Brake Pad, Shaft and Snap Ring for Edson #336 and #402 Pedestals with Thru-Shaft Brakes. *Knob not included - please contact Edson customer service for proper replacement knob/shaft combo for your boat.*

**Order #316-336-402-TSB**



### Tef-Gel™ Corrosion Inhibitor

We recommend Tef-Gel on Compass Bolts or anywhere stainless bolts are installed in aluminum to reduce corrosion caused by dissimilar metals.

3cc tube.

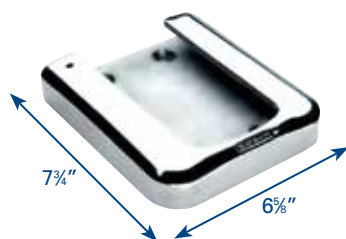
**Order #2470**

# Dinghy Davits & Accessories

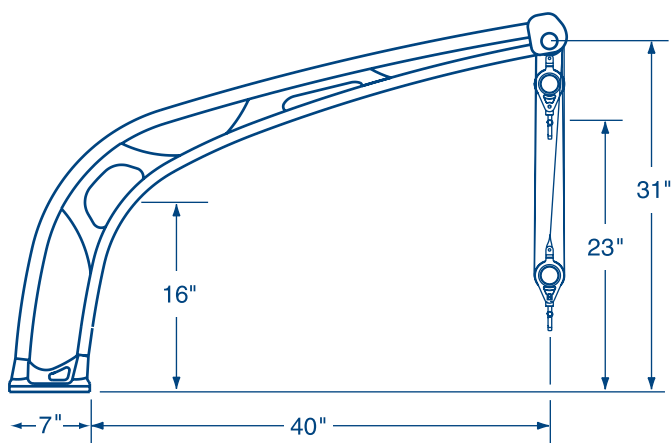
## Stainless Dinghy Davits



Optional Mounting Shoe



Actual Davit Foot measures 7-1/8" x 5-3/4"



**PLEASE NOTE:** Dinghy and Boat may require modifications, reinforcement, or custom lifting bars to accommodate dinghy.



2007 Beneteau 49 with Custom Davit Mounting Brackets

### EDSON STAINLESS DAVIT FEATURES:

- Built of highly polished, marine grade 316 Stainless.
- Includes 33' lifting line, blocks and cleats.
- Optional Stainless Mounting Shoes allow for ease of mounting and removal.
- 5:1 Lifting Tackle included.
- Optional Connecting Bar available for added support and rigidity.
- Positive-locking Spinlock™ cam-cleats holds lifting tackle securely.
- Long 40.5" (103cm) reach and 31" (79cm) rise make lifting and storage of most all dinghies possible.
- 250 lb (113 kg) capacity.

#### Stainless Davit Ordering Information

Edson Stainless Davit (2 required) - Order #500ST-4030

Optional Stainless Mounting Shoe (2 required) - Order #508ST-78

Optional 5' Stainless Connecting Bar - Order #513ST-1125-60

(custom length Connecting Bars available)



### IMPORTANT

- Practical lifting capacity of a davit rigged with a 5:1 purchase is 250 lbs (113 kg).
- Davits must be properly installed with backing plates to provide adequate strength.
- **The total weight of the dinghy and motor should not exceed the safe working load of one davit or 250 lbs (113 kg).**

#### • CAUTION

Water should not be allowed to collect in the dinghy or inflatable while being held in Davits. Dinghy should be covered or equipped with a drain to allow water to escape. Failure to do so could damage the davits and dinghy. A dinghy on davits should not extend beyond the sides of the boat to prevent catching water when rolling or heeling.



Great Gift Ideas!

## Edson One-Step™ Boarding Step

If the deck of your boat seems to be getting higher and your dinghy seems to be getting lower, Edson's "One-Step Boarding Step" is for you. *Wt. 5 lb (2.3 kg).*

- Makes getting onboard safer and easier.
- Cast in aluminum and coated with durable, glossy-white baked-on Urethane coating.
- Designed to attach to your lifeline gate stanchions and hang against the side of your boat.
- Neoprene bumpers that won't mar your topsides
- Built-in handles give you a secure handhold.
- Lightweight and compact
- Takes up minimal space in locker compared to cumbersome ladders.
- Comes complete with 6 ft. of braided line with stainless snap shackles.

**One-Step Boarding Step with Line - Order #520-14**  
**One-Step Boarding Step without Line - Order #520-14LL**



## Edson Oar-Loc™

- Protect your prized oars!
  - Ideal for those who want to leave their oars safely with the dinghy at yacht clubs or public docks.
  - Cast in bronze
  - Unique design is easy to operate because the lock is on the top of the seat.
  - You can also lock up your oarlocks by drilling two more holes and putting your oarlocks under your oars (lock not included).
- Wt. 1.35 lb (.6 kg).*

**Edson Oar-Loc™ - Order #523-2**



## Bronze Dinghy Anchor

Remember those great navy anchors of yesteryear? They were as functional as they were good looking. Now Edson has reintroduced the design as the perfect dinghy anchor. Its cast bronze construction will last for generations.

- Solid Cast Bronze
- Articulating Design just like full-sized anchor
- Comes complete with 33 ft (10 m) of 5/16" braided line
- A handy storage bag is available.
- *Wt. 8 lb (3.6 kg)*

**Bronze Dinghy Anchor with Bag and Line - Order #522-6**  
**Bronze Dinghy Anchor without Bag and Line - Order #522-6LL**



# Antenna Standoffs & Mounting Brackets

## Stainless Antenna Standoffs

New instruments need new antennas, making Edson's Antenna Standoffs more popular than ever. These strong and attractive standoffs will limit the amount of wear and tear on your antennas while powering through rough seas. Made from investment cast 316 stainless, they will never break like plastic. Fitting all antennas up to 1.5" in diameter, they are available in three sizes, virtually eliminating the need to shim the standoff or antenna base. The clasp is held closed with a quick release pin allowing for quick antenna takedown to go under bridges or for trailering. Each clasp is padded providing a secure, rattle free closure. The combination of a highly polished and vapor blast gray finish enhance the sleek, attractive styling.

Order by the desired stand-off distance (to center of antenna)

**3" Standoff – Order #535-3-125 Wt. 1.3 lb (.6 kg)**

**5" Standoff – Order #535-5-125 Wt. 1.5 lb (.7 kg)**

**7" Standoff – Order #535-7-125 Wt. 1.7 lb (.8 kg)**



## Flush Mount Brackets



Edson "Flushmount Kits" ease dash installations of VHF radios & larger display monitors. Stainless steel construction.

**Flush Mount Kit for VHF/Small Displays #6765**

**Flush Mount Kit for Large Displays #6770**

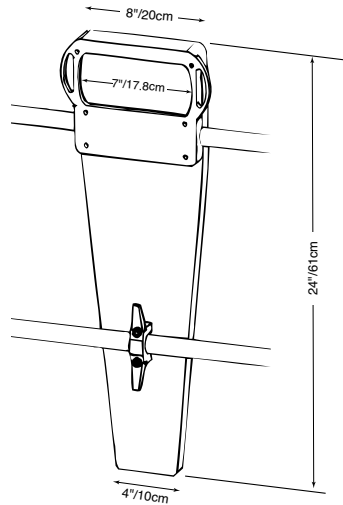


## Stern Rail Outboard Motor Mount

- Built to hold motors up to 15 hp or 100 lbs/45 kg.
- Convenient cleat and side handles allow you to tie the motor and lock it safely on board.
- The non-corroding polished 316 stainless bracket with non-skid pad, bolted to the UV stable poly backing board always looks ship-shape... no more varnishing.
- Comes complete with hardware to attach to any standard 1" (2.5cm) or 1 1/4" (3.2 cm) stainless rail. Bottom cleat comes unattached so that it will fit any rail spacing.

**Note:** 1 1/4" rail version comes complete with anodized aluminum bracket, stainless cleat and stainless U-bolt for 1 1/4" railing. Wt. 10 lb (4.5 kg).

**Outboard Mount for 1" Railing - Order #521-100ST(Shown)**  
**Outboard Mount for 1 1/4" Railing - Order #521-125AL**



Cast Stainless version  
for 1" Railing



Cast Aluminum version  
for 1-1/4" Railing



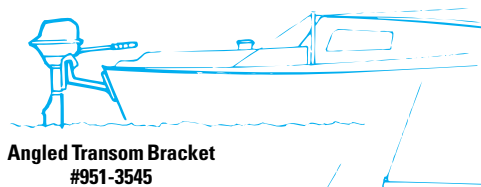
### Warning

Be sure the engine is securely tied onto the backing board and the engine mounts are tightened whenever the engine is stored on Edson's Outboard Motor Mount. Use the tilt feature on the engine to allow the lower unit to rest on the backing plate or add a block of wood to provide this support.

## Bronze Outboard Motor Brackets

Edson's Bronze Outboard Brackets are designed as an engine mount for use on dinghies and small sailboats. The mounting plate is permanently fastened to the boat's transom. The bracket slides into the plate and is held in place by two stainless steel clips. The outboard motor bracket is available for two different transom angles. Order Size 010 for transoms with 10° angle or Size 3545 for angles of 35° - 45°. Will hold outboards up to 4 HP.

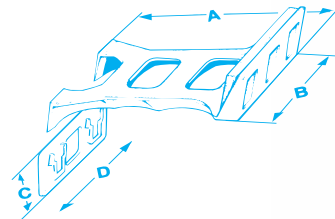
**Angled Transom Bracket - Order #951-3545**  
**Straight Transom Bracket - Order #951-010**



Angled Transom Bracket  
#951-3545



Straight Transom Bracket  
#951-010



### OUTBOARD BRACKET ORDERING GUIDE

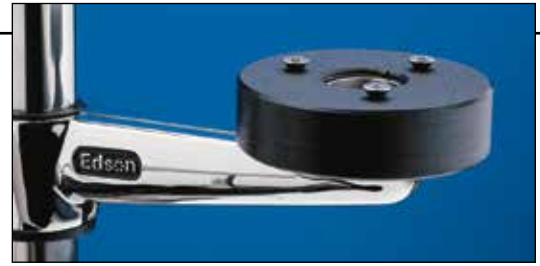
Order #	Dimensions				Weight lbs (kg)
	A	B	C	D	
951-3545	9" (23 cm)	8" (20 cm)	4" (10 cm)	8" (20 cm)	8½ (3.9)
951-010	14" (36 cm)	8" (20 cm)	4" (10 cm)	8" (20 cm)	10½ (4.8)

# Electronics Mounting Arms and Brackets

## Stainless GPS Mounts



**Edson's Stainless GPS Arm** puts your hand-held GPS securely and conveniently within reach on your Steering Pedestal Guard. The Arm is constructed of highly polished, investment-cast 316 Stainless and the mounting base is made of black, maintenance-free marine-grade polymer. Pre-drilled to fit the Garmin GPS Swivel Mount (shown), the Arm will also accept most other round GPS brackets up to 5" (12.7 cm) including Magellan and other Garmin units. The Edson GPS Arm is designed to attach to all 1", 1 1/8" and 1 1/4" pedestal guard tubes by clamping the two pieces together around the guard tube without the need for removal of the tubes or any existing wiring.



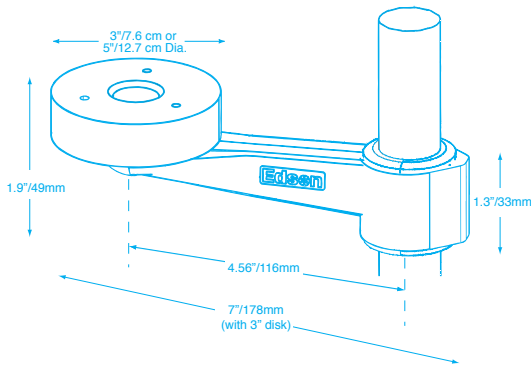
### Description

**Stainless Arm only (no mounting base)**  
**Stainless GPS Arm with 3" Mounting Base\***  
**Stainless GPS Arm with 5" Mounting Base**

### Order #

**831ST-100**  
**831ST-3-100**  
**831ST-5-100**

\* 3" pre-drilled to fit Garmin marine mounts.



## Stainless GPS Antenna Rail Mount



**Edson's Stainless GPS Antenna Rail Mount Arm** features a unique design that keeps your wiring completely hidden inside the mount and railing. The two-piece design clamps to any 1", 1-1/8" or 1-1/4" horizontal railing. Male 1"-14 threads accept most common GPS or VHF antennas. Cast of solid 316 stainless with rubber bushings.



**Stainless GPS Antenna Rail Mount - Order #831ST-1-14**

## Stainless Horizontal Clamp-On Ball Mount

**Edson's New Stainless Clamp-on Ball Mount** for horizontal railing is ideal for mounting hand held GPS, phones or other instruments right on the pedestal guard or other horizontal rail, within easy reach of the helmsman and crew. Two sizes are available with either a 3" or 5" diameter poly platforms for mounting GPS brackets and other accessories. The 3" version is pre-drilled and tapped to accept Garmin's Marine Mount for handhelds and small chartplotters.

**Horizontal Rail Accessory Mount - 3" - Order 831ST-3-DISK**

**Horizontal Rail Accessory Mount - 5" - Order 831ST-5-DISK**



## Stainless Clamp-on Accessory Mounts



#832ST-7-125



#861ST-125



#832ST-3-125

**Edson's Stainless Clamp-On Accessory Mounts** allow you to mount drink holders instruments or nearly anything else that requires a secure location on the pedestal guard. For angled guards, they rotate and lock in place with set screws so you can mount your drink holder level or adjust the angle of your instrument. Highly polished solid 316 Stainless construction with adapter sleeves for 1", 1-1/8" and 1-1/4" guard pipes.

### Description

**Stainless Clamp-On Accessory Mount - 7" Platform**  
**Stainless Clamp-On Accessory Mount - 3" Platform**  
**Stainless Accessory Clamp only**

### Order #

**832ST-7-125**  
**832ST-3-125**  
**861ST-125**

## Stainless Rail Clamps

Edson's has a large selection of stainless clamps for 1", 1-1/8" and 1-1/4" railing. They can be used to mount instrument housings, electronics brackets, custom drink holders and ditty boxes, antennas and much more. All are cast in 316 marine-grade stainless and precision machined for tight clamping tolerances.



**Clamp-On Mount  
for 1" & 1-1/8" Guard Pipes  
#861-100**



**Clamp-On U-Mount  
for 1", 1-1/8" & 1-1/4" Guard Pipes  
#861-100-125**



**Swiveling Accessory  
Clamp  
#861ST-125**



**Clamp-On Table Hardware  
for 1" & 1-1/8" Guards  
#860-100**



**Ball Mount  
for Instrument Housings  
(hollow design for wiring)  
#831ST-BALL**



**Clamp-On Table Hardware  
for 1-1/4" Guards  
#860-125**



**Glass Holder/Ditty Box Hardware  
for Pedestal Guards  
#859-8**



# Marine Compasses and Accessories

The Magnetic Marine Compass is probably still the most important navigation instrument that you can have on any boat. Because Edson understands the importance of the proper installation of a compass you can be assured that all of our steering pedestals have been designed and manufactured to accept the wide variety of compasses without interfering with their sensitive magnets.

## Edson Vision Series™ Compass Bowl

**Edson's Compass Bowl** allows the mounting of a flush-mount compass between the guard pipes. Ideal for installations where there is limited space on the pedestal for the compass or the compass needs to be mounted away from instruments that may cause magnetic deviation. It also puts the compass higher, closer to the line of sight, making steering a course much easier, especially at night. Robust Stainless and thermoformed ABS construction. Mounts between Edson Standard guard pipes with 9-1/2" centers. Stainless mounting hardware included.

**Edson Compass Bowl for 3.5" & 4" Compasses – Order #2150-95-4**

**Edson Compass Bowl for 5" Compasses – Order #2150-95-5**

*NOTE: Pedestal Guard sold separately.*



## Flush Compasses

### For Use With Edson Vision Series™ Pedestals and #856 Compass Cylinders

**Flush Mount Compasses** can be mounted directly on an Edson Vision Series "MV" Pedestal or to a Classic Pedestal by using the #856 Compass Cylinders shown on page 21. These compasses have either 3 3/4", 4" or 5" dials with 5° increments, full internal gimbals, 45° lubber lines, night lighting in a movable sun shield and adjustable compensators. These Ritchie Compasses are available in either white or black finish.

**Flush Mount Compasses with 3 3/4" dials:**

Ritchie Helmsman Black (shown)  
Ritchie Helmsman White

Order #658-HF-742  
Order #658-HF-742W

**Flush Mount Compasses with 4" dials:**

Ritchie Navigator Black  
Ritchie Navigator White (shown)

Order #658-FN-201  
Order #658-FNW-201

**Flush Mount Compasses with 5" dials:**

Ritchie SB500 (shown above)

Order #658-SB-500

#658-FNW-201



#658-HF-742

## Binnacle Compasses

### For Edson 336, 402 and 464 Pedestals

**Binnacle Compass** can be mounted directly to the Edson Spacemaker Pedestals using the standard 4-bolt pattern on the top of the pedestal or optional Edson Engine Control Housing. Ritchie manufactures binnacle models with choices of 4 1/2", 5" or 6" dial sizes and optional finishes and materials. They all have 5° increments, built-in compensators, night lighting, full gimbals and 45° lubber lines.

**Binnacle Mounts with 4 1/2" dials for 336 & 337 Pedestals:**

Ritchie Navigator Stainless Order #658-DNP-200  
Ritchie Navigator Black (shown) Order #658-DNB-200  
Ritchie Navigator White (shown) Order #658-DNW-200

#658-DNB-200



#658-SP-5C



#658-DNW-200

**Binnacle Mounts with 5" dials for 336 & 337 Pedestals:**

Ritchie Globemaster SP-5 (shown) Order #658-SP-5C  
Ritchie Globemaster SP-5B Order #658-SP-5B

#658-D-515-EP



**Traditional Binnacle Mount with hood, 5" dials for 336 & 337 Pedestals:**

Ritchie Globemaster Stainless (shown) Order #658-D-515-EP  
Ritchie Globemaster Brass Order #658-D-515-EX



**Traditional Binnacle Mount with hood, 6" dials for 402 & 464 Pedestals:**

Ritchie Globemaster Stainless Order #658-D-615-EP  
Ritchie Globemaster Brass (shown) Order #658-D-615-EX

## Compass Cover

Edson's **Compass and Instrument Cover** protects your compass or pod mounted instruments. The cover is made of sun-resistant white vinyl laminate with a Velcro tie.

**Compass Cover for Edson #336 & #337 Pedestals – Order #693-5**



## Pedestal Top Adapter

Edson's **Pedestal Top Adapter** allows you to adapt nearly any compass to an Edson pedestal. They can also be used as a pedestal cover when not installing a compass. Available in white marine-grade polymer and furnished with pre-drilled holes and flat head machine screws. The #694WH-6-45 allows a 5" dial compass with 7" (178 mm) base to be adapted to the Edson #402 or #464 Classic CD-i Pedestal. *Wt. 1 lb (.45 kg).*

**White 8" to 7" Adapter - Order #694WH-6-45**



#694WH-6-45



## Ritchie Weather Shield

Edson recommends the use of the Ritchie Weather Shield with the installation of any Binnacle Mount Compass on Edson 336 & 337 Pedestals. The weather shield helps prevent water infiltration into the pedestal or below decks through the pedestal.

**Ritchie Weather Shield - Order #658-WS-P**

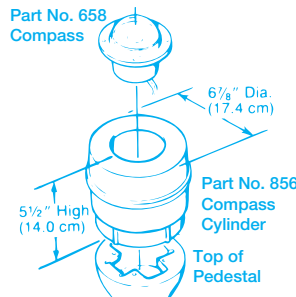


**Weather Shield  
#658-WS-P**

## Compass Cylinder

Edson's **Compass Cylinders** are distinctive, non-reflecting, and virtually indestructible. Great for new boats or upgrading your existing pedestal to a larger, easier to read compass. Fits Edson's 336 & 337 pedestals, stands 5 1/2" high and accommodates flush mounted compasses up to a 6 7/8" flange diameter.

**White Compass Cylinder – Order #856WH-345**



#856 WH-345



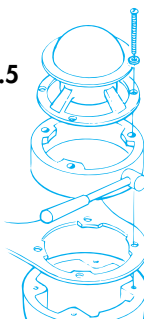
## Compass Bolts

Edson offers two sizes of 1/4-20 bolts: 1" long or 3 1/2" long Phillips Head Machine Screws coated with a state-of-the-art process that is designed to eliminate the galvanic reaction between Stainless and Aluminum. Edson now uses these bolts as standard equipment for fastening the compass and engine control to the top of the pedestal. We highly recommend these bolts as they facilitate inspection and maintenance of your pedestal steering.

*Wt. 8 oz (204 kg).*

**Set of Four 1" Edson Compass Bolts – Order #817-1**

**Set of Four 3 1/2" Edson Compass Bolts – Order #817-3.5**



## Compass Light Wire

Non-magnetic braided wire. For new installations or re-wiring an existing compass. Have some extra on board. Available in 10, 25, or 30 foot lengths (shown below).

**10' (3 m) Compass Wire - Order #669-10**

**25' (7.6 m) Compass Wire - Order #669-25**

**30' (9 m) Compass Wire - Order #669-30**



## Rubber Wire Connectors

Two-prong, rubber plugs for easy disconnecting of compass lights during pedestal or compass servicing. Handy for many other shipboard uses.

**Order #672-1**

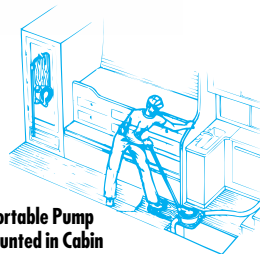
## Portable Pump Kits



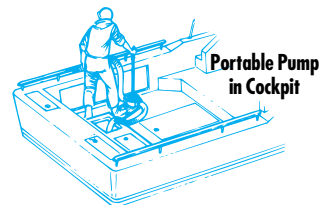
**Bone Dry Portable Pump Kit #165AL-30**



**Optional Portable Pump Kit Bag #275-31**



**Portable Pump Mounted in Cabin**



**Portable Pump in Cockpit**

Edson's Portable Pump Kits are complete pumping systems that include either the 18 GPM #217 Pump or the 30 GPM #117AL Pump mounted on a carrying board with a 32" handle. Quick clamp hose fittings and a single 20' length of hose supplied for optimum configuration by individual.

They can be customized with additional hose, a strainer and special couplings to meet specific needs. An optional Pump Kit Storage Bag is available for storing the pump.

### Portable Pump Kit – Order #165

See ordering Guide for sizes

PORTABLE PUMP KIT ORDERING GUIDE				
Pump Description	Material	Fitting Size	lbs/Kg	Order #
18 GPM Portable Pump Kit	Aluminum	1-1/2" NPT	8/3.6	165AL-18-150
	Bronze	1-1/2" NPT	19/8.6	165BR-18-150
30 GPM Portable Pump Kit	Aluminum	1-1/2" NPT	17/7.7	165AL-30-1.5-KIT
30 GPM Portable Pump Kit	Aluminum	2" NPT	17/7.7	165AL-30-2KIT

**30GPM Pump Kits now includes Forespar TruPlug and Bright Orange Storage Bag for added safety!**

## Forespar TruPlug®

TruPlug is a soft, cone shaped plug designed to conform to the irregular and unpredictable shapes of a hull breach - controlling the flow of water while you pump.

Whether it's a round hole caused by mechanical failure, or an elongated tear due to impact, TruPlug adapts to slow or stop the leak. Unlike old fashioned wooden plugs, TruPlug's unique shape allow it to be compressed by hand or cut to fit. It also gets in the hard-to-reach locations and can also be pushed into a gap using a screw driver or similar tool.

Dimensions: 5 inches x 9 inches. The TruPlug is suitable for holes up to four inches in diameter.

One TruPlug for every 10 feet of boat length is recommended. For boats under 30' we recommend two TruPlugs and a minimum of three for any boat in excess of 30'. This allows one TruPlug for a thru-hull/hose failure and provides spares for other holes or to cut in the event of a hull impact breach.

The TruPlug is constructed of proprietary special purpose foam and coated with a flexible sealer adding strength and color.

**Forespar TruPlug– Order #287**



## EDSON - YOUR #1 SOURCE FOR PUMP FITTINGS AND REPLACEMENT PARTS!

### Edson Pump Hose

Flex Hose  
#671FH



#### FLEX HOSE

1 1/2"  
2"

Order #671FH-150  
Order #671FH-200

#### WASTE HOSE

1 1/2"  
2"

Order #268FW-150  
Order #268FW-200

Waste Hose  
#268FW

### Bronze Strainers & Foot Valves



#### BRONZE STRAINERS

1 1/2"  
2"

Order #111BS-150  
Order #111BS-200



#### FOOT VALVES

1 1/2"  
2"

Order #130N-150  
Order #130N-200

### Stainless Hose Clamps

#### STAINLESS HOSE CLAMPS

1 1/2"  
2"

Order #670ST-150  
Order #670ST-200



### Stainless 32" Pump Handle



Stainless 32" / 81 cm Pump Handle - Order #160-A-41ST  
Available Option when ordering an 18 GPM Pump - Order #230-A-41ST

### Pump Spares Kits

18 GPM Pump Spares Kit	40 GPM Side Inlet Pump Spares Kit	40 GPM Bottom Inlet Pump Spares Kit
For Models 217, 254, 256 & 258 - Order #114N-18-220	For Models 117, 120 & 557 - Order #114N-117-120	For Models 554, 638 & 654 - Order #114N-638-554
Includes: Two #160-A-1207 Valve Assemblies (includes hardware and weights) One #113N-18 Diaphragm	Includes: Two #160-G-107 Valve Assemblies (includes hardware and weights) One #113N-0 Diaphragm	Includes: One #160-G-107 Valve Assembly (includes hardware and weights) One #160-G-108 Valve Rubber One #113N-0 Diaphragm
<p>#160-A-1207      #113N-18</p> <p>8 1/16" (20.5 cm)</p>	<p>#160-G-107      #113N-0</p> <p>10 1/4" (26.0 cm)</p>	<p>#160-G-108      #160-G-107      #113N-0</p> <p>10 1/4" (26.0 cm)</p>

### Hose Couplings



#### FEMALE QUICK CLAMP COUPLING

1 1/2"  
2"

Order #156FE-150  
Order #156FE-200



#### THREADED MALE COUPLING

1 1/2"  
2"

Order #159MA-150  
Order #159MA-200



#### MALE QUICK CLAMP COUPLING

1 1/2"  
2"

Order #156MA-150  
Order #156MA-200

### Quick Clamp Threaded Adapters



#### MALE NPT x MALE QC ADAPTER

1 1/2"  
2"

Order #157MM-150  
Order #157MM-200



#### FEMALE NPT x MALE QC ADAPTER

1 1/2"  
2"

Order #158MF-150  
Order #158MF-200



#### FEMALE QC x FEMALE NPT ADAPTER

1 1/2"  
2"

Order #151FF-150  
Order #151FF-200



#### FEMALE QC x MALE NPT ADAPTER

1 1/2"  
2"

Order #152FM-150  
Order #152FM-200

### Ball Valves



#### UNION BALL VALVE

1 1/2"  
2"

Order #264-150  
Order #264-200

**NEW!**



**A CLEANER,  
FRESHER BOAT  
THE NATURAL WAY!**

## BioFresh™ Cleaning Products

BioFresh™ OilEradicator™

**Natural & Environmentally Safe Products**

**Controls Holding Tank Odors  
and Cleans Oily Bilges!**

Naturally occurring, beneficial microbes break down and consume oils, gas, grease, diesel fuel and human & animal waste found in bilges, marinas, lakes and rivers. Let Nature handle the dirtiest jobs on your boat!

### BioFresh™ Holding Tank Packets



Simple, drop in packs for holding tank treatment.  
**ORDER #2400**

### Oil Eradicator™ Bilge Pad



Absorbs and eliminates oil in your boat's bilge.  
**ORDER #2410**

### BioFresh™ Microbial Powder



Surface cleaner and odor eliminator for bilges and holding tanks.  
**ORDER #2404**

### Oil Eradicator™ Clean Up Kit



Cleans small oil spills in your bilge or other contaminated areas.  
**ORDER #2420**

### BioFresh™ PreWash



Non-toxic soap to emulsify oils and grease. Use with Microbial Powder.  
**ORDER #2408**

### Oil Eradicator™ Booms



Contain and eliminate oil spills in and around docks and in bilges.  
**2' - ORDER #2412**  
**4' - ORDER #2414**



## Index by Product Name

Antenna Standoffs.....	26	Drink Holders.....	10-11	Outboard Motor Bracket.....	27	Single Lever Engine Control.....	18
Anti-Surge Valves.....	22	Engine Controls.....	16-19	Pedestal Guards.....	15	Spline Weights.....	5
Ball Mounts.....	28-29	Engine Control Handles.....	19	Pedestal Guard Feet.....	15	Sportsman Knob.....	11
Bearings.....	20	Engine Control Cables.....	19	Pedestal Maintenance Kit.....	23	Stainless Guard Feet.....	15
BioFresh Environmental Products.....	34	Flax Packing for Stuffing Box.....	21	Pedestal Rebuild Kit.....	23	Stainless Polish.....	22
Boarding Step.....	25	Flush Mount Brackets.....	26	Pedestal Top Plates.....	15	Stars.....	5
Brake Knob.....	22	GPS Mounts.....	28	Platforms.....	28	Stern Rail Outboard Motor Mount.....	27
Bronze House Markers.....	4	Hardware Kits.....	9,23,28,29	Poly Cockpit Tables.....	6-7	Teak Cockpit Tables.....	6-7
Bronze Spline Weights.....	5	House Markers.....	4	Polish.....	22	Tiller Head Fittings.....	21
Clamp On Hardware.....	28	Knobs.....	10-11	PowerKnobs.....	10-11	Touch Up Paint.....	23
Cockpit Tables.....	6	Leather Accessories.....	13-14	Pumps.....	32	Wheel Brake.....	22
Compass Bowl.....	30	Leather Wheel Rim Covers.....	13	Pump Hose, Fittings and Spares.....	33	Wheel Knobs.....	10-11
Compasses.....	30	Lubricant.....	23	Quick Release Wheel Nut.....	12	Wheel Nuts.....	12
Compass Accessories.....	31	Maintenance and Spares Kits.....	23	Rail Clamps.....	29	Wheel Rim Covers.....	13
Diaphragms.....	33	Nautical Stars.....	5	Rudderpost Fittings.....	20-21	Wheel Storage Device.....	12
Dinghy Anchor.....	25	Oar Lock.....	25	Shaft Couplings.....	20		
Dinghy Davits.....	24	One-Step Boarding Step.....	25	Side Mount Arm.....	28		

## Index by Product Number

Product #	Page	Product #	Page	Product #	Page	Product #	Page
111.....	33	535.....	26	810.....	19	1600.....	15
114.....	33	629.....	20	816.....	16	1610.....	15
130.....	33	658.....	30,31	817.....	31	1620.....	15
152.....	33	669.....	31	825.....	22	1625.....	15
156.....	33	670.....	33	831.....	28	2150.....	30
157.....	33	671.....	33	832.....	28	2400.....	34
158.....	33	672.....	31	826.....	12	2404.....	34
159.....	33	673.....	12	827.....	23	2408.....	34
165.....	32	675.....	20	831.....	28-29	2410.....	34
264.....	33	679.....	20	832.....	28	2412.....	34
268.....	33	680.....	12	856.....	31	2414.....	34
275.....	32	683.....	12	858.....	14	2420.....	34
287.....	32	689.....	22	859.....	9,29	2470.....	23
310.....	15	693.....	31	860.....	9,29	2475.....	22
312.....	23	694.....	31	861.....	28-29	3200.....	4
314.....	23	697.....	21	870.....	16	3201.....	4
315.....	17	716.....	13	878.....	8-9	3202.....	4
316.....	23	733.....	13	905.....	22	3203.....	4
333.....	23	734.....	19	951.....	27	3205.....	4
500.....	24	735.....	19	963.....	19	3206.....	4
508.....	24	737.....	6-7	965.....	21	3207.....	4
513.....	24	751.....	17	967.....	10-11	3150.....	4
520.....	25	761.....	6-7	969.....	10-11	3300.....	5
521.....	27	782.....	20	1401.....	14	3500.....	5
522.....	25	785.....	9	1404.....	14		
523.....	25	805.....	19	1405.....	14		



# Sailboat Steering Systems and Wheels



# Edson is much more than steering!



## Electronics Mounting Systems

Our complete line of Navcom Mounts, Instrument Housings and Accessories allow you to mount your Radar, Chartplotter, GPS, Satellite Domes, Cameras, Search Lights, Antennas and more on your sail or power boat.



## Boating Accessories

Edson's selection of boating accessories for power or sail make your time on the water safer and more enjoyable for the whole family.



## Marine Pumps and Pump Out Systems

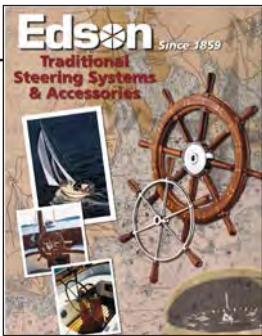
Since 1859, Edson has built pumps for marine use. From the very first Diaphragm pump to our modern pump out systems, we offer a full selection of pump and pumping products for your boat or marina.





## Powerboat Wheels & Accessories

Our full line of Powerboat Wheels, Power Knobs, Drink Holders and Accessories are regarded as the finest in the industry and will add style and elegance to any powerboat.



## Traditional Yacht Wheels and Systems

Edson's Traditional Steering Systems and Accessories catalog offers a host of gear for the traditional sailboat. Worm Gears, Rack and Pinion Steerers, Teak and Bronze Steering Wheels. Also included are Edson's Traditional Bronze Housemarkers and a host of Accessories for the traditional boatowner.



## BioFresh Environmental Products

Edson BioFresh products contain naturally occurring, beneficial microbes that break down and consume oils, gas, grease, diesel fuel and human & animal waste found in bilges, marinas, lakes and rivers. Holding Tank Packets, Oil Eradicator Bilge Pads, Booms and Clean Up Kits all help keep your boat naturally clean and odor free - while protecting our environment from harsh chemicals.



# Sailboat Steering Systems & Wheels

# EDSON®

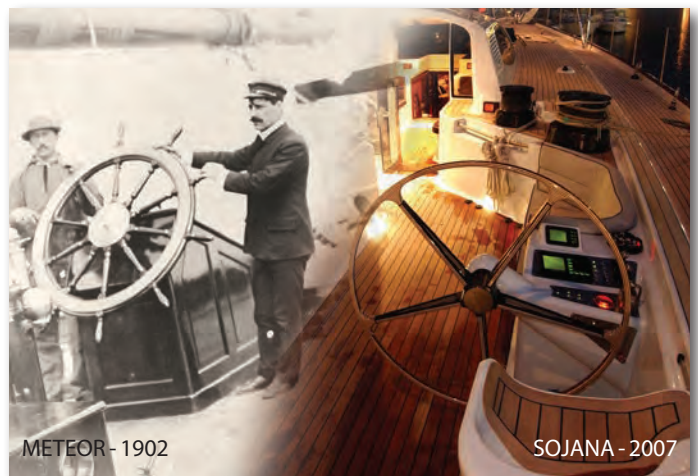
- Over 150 Years of Yacht Steering Expertise
- Systems for boats 18' - 200'
- Geared, Chain & Wire and Traditional Systems for any type of boat.
- Racing and Cruising systems
- Highest quality engineering and craftsmanship
- Built to withstand the rigors of serious offshore voyaging
- Full Engineering and Design services
- Custom Systems for all types of boats



Alerton Express 33

## Rely on Edson's 150 Years of Steering Experience...

Edson has extensive experience in designing and manufacturing Steering Systems for all types of sailboats from 18' daysailors to 200' megayachts. By being involved in the early stages of your boat's design, we can provide you with the best system to meet your needs. You tell us about your boat, we'll show you how to steer it!



METEOR - 1902

SOJANA - 2007

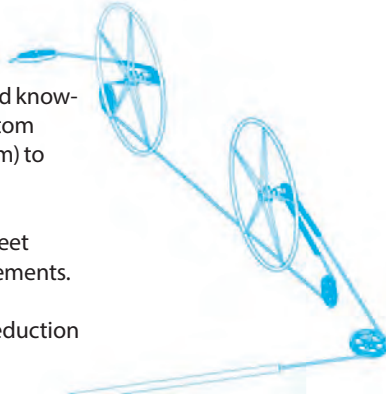
Edson Wheels graced the world's finest yachts then... just as they do now.

## Megayacht & Custom Systems

See Page 6-7

Edson has the experience and know-how to design and build custom systems for boats from 18'(5m) to 200'(60m) and up.

- Custom Wheels
- Fabricated quadrants to meet specific rudderload requirements.
- Megayacht systems.
- Multi-Speed and Geared reduction systems.
- Dual-Wheel Systems.

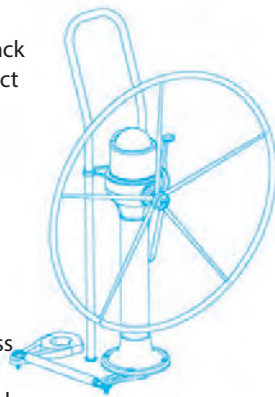


## Geared CD-i Systems

See Pages 10-11

Edson's updated version of the classic rack and pinion system utilizes a simple, direct linkage from tiller to wheel.

- Exceptional feel
- Easy installation.
- For boats up to 50' (15.25m).
- Classic, Vision Series™ and Internal Pedestal designs available.
- Large variety of Wheels and Accessories.
- Highest quality marine-grade stainless and aluminum components.
- Tiller-to-wheel conversion kits available.

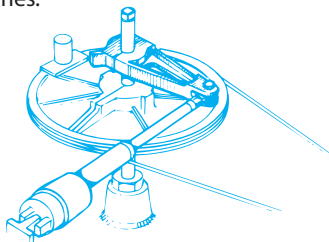


## Steering Components & Accessories

See Pages 28-39

Enhance your steering with our full selection of components and accessories.

- Autopilot Tiller Arms
- Engine Controls
- Pedestal Guards
- Wheel Brakes
- Compasses

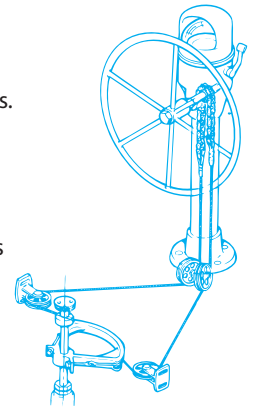


## Chain & Wire Systems

See Pages 12-27

Time-Proven, reliable system that has been used on thousands of boats for over 80 years.

- Classic, Vision Series™ and Internal Pedestal designs available.
- Quadrant, Radial Drive™ and Center Cockpit Installations.
- Adjustable, easily maintained, spare parts readily available worldwide.
- Most versatile system.
- Large variety of Wheels and Accessories.
- Highest quality marine-grade stainless, bronze and aluminum components.
- Tiller-to-wheel conversion kits available.
- Designs for over 3000 sailboats.

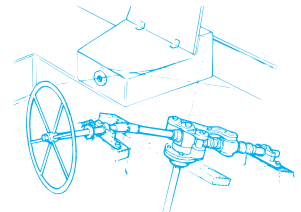


## Traditional Systems

See Pages 40-41

If you are building or refinishing a classic yacht, Edson's Traditional Wheels and Geared Steerers are still available, but constructed of modern materials and methods which were not available when first built.

- Worm Gear Steerers
- Rack & Pinion Steerers
- Traditional Ships Wheels

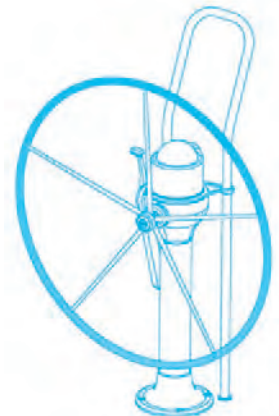


## Steering Wheels and Accessories

See Pages 42-51

Edson's selection of yacht wheels add distinction and value to any boat. A large variety of sizes and styles will fit the look of your boat no matter what the style.

- Stainless Destroyer Wheels
- Teak Rim Wheels
- Bi-Spoke Wheels
- Custom Carbon/Wood Laminate Wheels
- Traditional Yacht Wheels
- Wheel Accessories



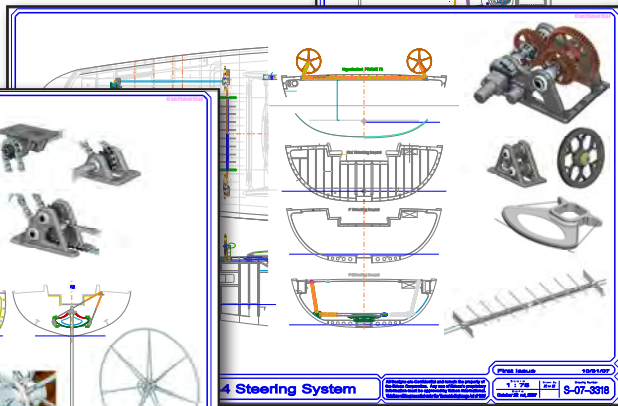
# Megayacht / Custom Steering Systems

"Steer a 140 footer with your fingertips? You bet. Edson's Multi-Mode steerer brings the feel and sensitivity of a 40' boat to a maxi."

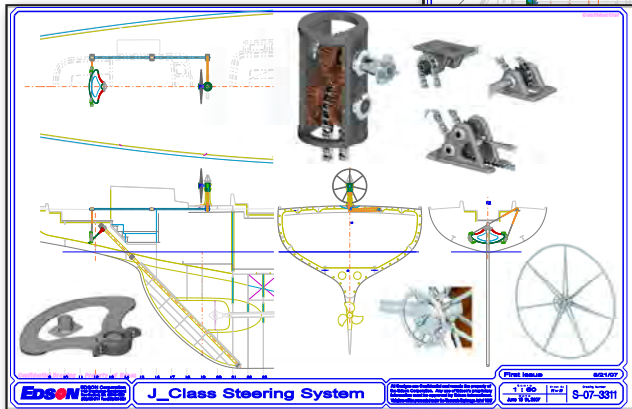
*Bill Tripp - Designer - Mystere*



Tripp/Vitters 141 Mystere

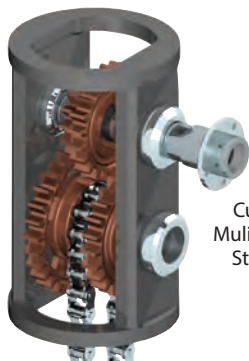


4 Steering System

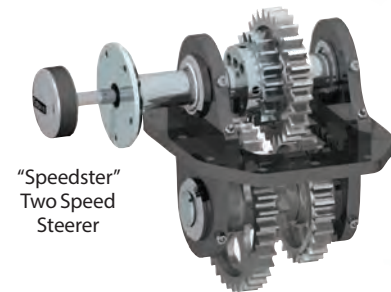


J\_Class Steering System

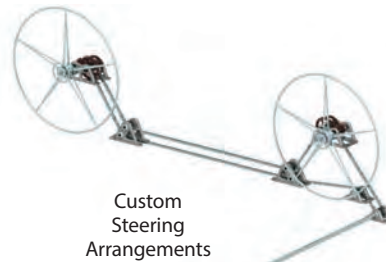
System



Custom Multi-Mode Steerers



"Speedster" Two Speed Steerer



Custom Steering Arrangements



Custom Steering Hardware & Fittings



- Custom Steering Wheels
- Steering Systems for Yachts up to 200'
- Mechanical "Multi-Mode" steering systems give feel and feedback to the helm.
- Zero-Backlash Engineered Systems give direct, positive steering control.
- Custom Steering Components engineered specifically for the high loads found in Mega Yachts.



Baltic 152 Pink Gin

Custom  
Steering  
Wheels

Vitters 180 -Adele



# Steering Pedestal Options

## The Classic Series™

- Classic Yacht Design Increases Usable Cockpit Space.
- Convenient Thru-Shaft Wheel Brake.
- Available in CD-i Geared or Chain & Wire.
- For Sailboats from 22' (6.7 m) and up.
- Durable Glossy White Baked-on Urethane Finish.
- Stainless Wheel Shafts and Sprockets.\*\*
- Three Guard Styles Available.
- Stainless Needle Bearings.
- Large Selection of Edson Accessories such as Pedestal Guards, Instrument Housings, Drink Holders and Tables.
- Stainless Wheel Nut Included.
- All Non-Magnetic Construction.
- Hex Head Recesses in Base hold Edson's Aluminum Bolts for Easy One-Person Installation.
- Pedestal Top Pre-Drilled for Compass and Pedestal Guard Top Plates.
- Accepts all Styles of Edson Wheels.

\*\* Standard sprocket sizes are stainless, other sizes are brass



### 336 Series Pedestal

- 6 7/8" Diameter Top
- Ideal for Boats from 22' to 42' (6.7 m - 12.8 m).
- Thru-Shaft Brake Standard.
- Fits all compasses up to 5" Card Size.
- Replaces Edson's #334 & #335 Pedestals
- Available in Chain & Wire Only



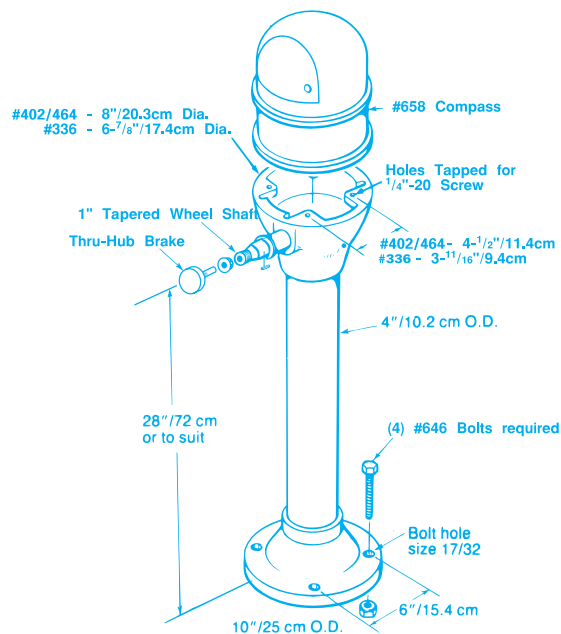
336 Series Classic Pedestal



402/464 Series Classic Pedestal

### 402/464 Series Pedestal

- 8" Diameter Top
- Large Diameter Pedestal Top with Triple Needle Bearings and Stainless Bearing Liners.
- Available in Chain & Wire or CDI Geared.
- Typically used on boats 40' and up.
- Thru-Shaft Brake Standard
- Wheel Brake with Stainless Knob Included
- Fits all compasses up to 6" Card size
- For use with Windvane Self Steerers



GO TO

For **Geared CD-i Steerer** ordering info see pages 10-11.

For **Chain & Wire Steerer** ordering info see pages 12-27.

NOTE: Pedestals shown with optional accessories.

## The Vision Series™

- Four styles to choose from
- Allows mounting of engine controls, instrumentation and many electronics right in the console
- Fiberglass Console Head with Extruded Aluminum Column
- Available in CD-i Geared or Chain & Wire
- Convenient Thru-Shaft Wheel Brake
- Single-Lever Engine Control included
- Removable Head with Waterproof Gasket for Easy Service
- Durable White Powder Coating on Aluminum Column
- Integral 20" Guard Tube.
- Smooth Surface Design — No Mounting Bolts Showing
- Removable faceplates for easy instrument mounting and replacement

### Vision II Pedestal

- Fits instruments with up to 9" diag screen
- Accommodates popular flush mount compasses with 4" card
- Compact footprint maximizes cockpit space
- Low Lean design puts instruments at fingertips
- 12.75" x 9" (32.4cm x 22.8cm) base
- Available in Chain & Wire only

### Vision "NV" Pedestal

- Larger Improved Fiberglass Pedestal Head
- Fits Latest 12" Screen Instruments
- 15" x 10.25" faceplate
- Fits 5" Flush Mount Compasses
- Single Lever Side Mount Engine Control
- Thru-Shaft Brake System
- 10.5" x 14" (26.7cm x 35.6cm) base

### Vision "MH" Pedestal

- Lower, horizontal faceplate angle
- 13.75" x 9.5" faceplate
- 10.5" x 14" (26.7cm x 35.6cm) base
- Optional Compass Bowl available

### Vision "MA" Pedestal

- Largest console pedestal
- 16" x 13" faceplate
- 10.5" x 14" (26.7cm x 35.6cm) base
- Optional Compass Bowl available



The Vision II Pedestal



The Vision Series "NV" Pedestal



The Vision Series "MH" Pedestal  
Optional Compass & Bowl shown



The Vision Series "MA" Pedestal  
Optional Compass & Bowl shown

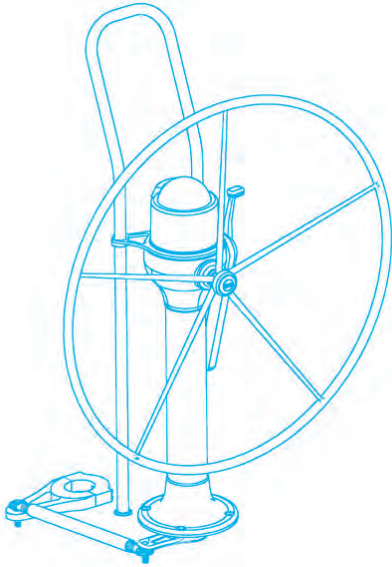
Edson's Wheel Pilot Installation Kit allows you to mount a Raymarine wheel mounted autopilot on an Edson Vision II (#476) Console Pedestal. It comes complete with all the necessary parts required for the installation, including fasteners and touch-up paint.



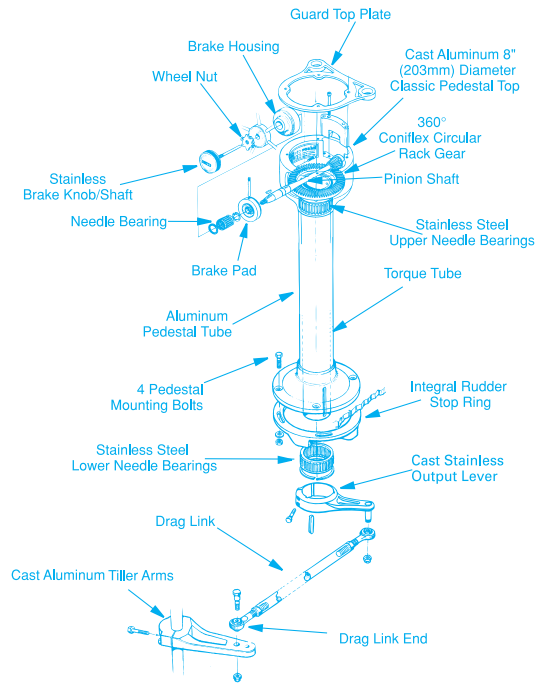
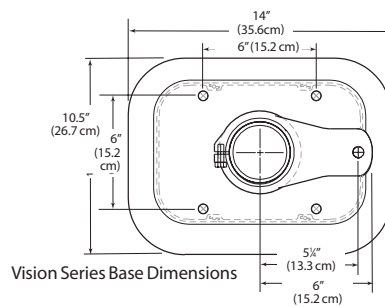
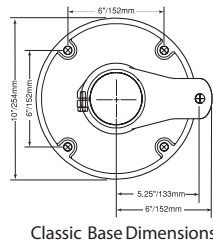
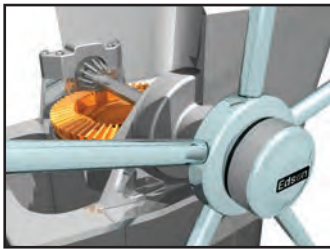
Edson Wheel Pilot Installation Kit -  
Order #925-426V

# CD-i™ Geared Steering Systems

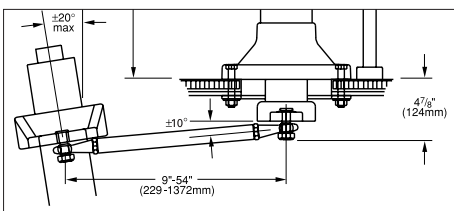
Edson's classic Rack and Pinion system utilizes a simple, direct linkage from tiller to wheel. All CD-i Geared Steerers feature exceptional feel, easy installation and a wide range of mounting options.



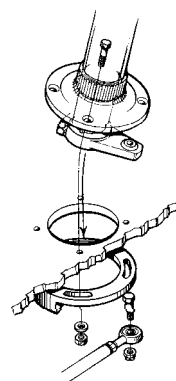
- For boats up to 50' (15.25m).
- Classic, Vision Series™ and Internal Pedestal designs available.
- Large variety of Wheels and Accessories.
- Highest quality marine-grade Stainless, Bronze and Aluminum components.
- Tiller-to-wheel conversion kits available.
- 360° Circular Rack Gear – 3 Times the Life Span of Conventional Rack Gears.
- 1.8 Wheel Turns Hard-Over to Hard-Over through 72° of rudder travel.
- Gleason Coniflex™ Gears for Ultra-High Strength.
- Gear teeth easily accessible for lubrication and inspection.
- Large 3¼"/83 mm Torque Tube for Superior Strength, Stiffness.
- Turnbuckle-Style Drag Link for Easy Adjustment.
- Large 3½"/89 mm Diameter Stainless Bearings for Long Life.
- CE Compliant.
- Low Maintenance.
- Tapered wheel shaft only.



## Installation Requirements



Maximum Rudder Rake = 20° from Vertical  
 Working Angle of Drag Link = ±10° Max. from Horizontal with Rudder Amidships.  
 Max. Rudder Torque Load = up to 3,400 ft. lbs. (467 mkg)  
 Typical Installations Suitable for Aft Cockpit Sailboats up to 50 Feet LOA (15.25 m)



### Rudder Stops and Edson's Stop Ring

Rudder Stops are a mandatory fitting for any steering arrangement. They insure that loads transmitted through the rudder never exceed the design limit of the steering pedestal and gear. Edson's Integral Stop Ring/Backing Plate provides an alternative to conventional rudder stops that is much simpler to install and adds additional reinforcement to the cockpit sole. All Edson Stop Rings are marked with angle-indicators for easy installation and adjustment and allow for 72° of total rudder travel. Note: Conventional rudder stops and cockpit reinforcement should still be installed in conjunction with the stop ring whenever possible.

ALL CD-i STEERING SYSTEMS COME COMPLETE WITH:

- Pedestal (including wheel shaft, gears and torque tube)
- Thru-Shaft Wheel Brake
- Output Lever machined to specs.
- Stop Ring
- Drag Link of appropriate length.
- Tiller Arm machined to specs.
- Contemporary Styling.
- Compact Design and Footprint.
- Vision Series Pedestals include Pedestal Guard and Single Lever Engine Control.

Add your choice of Edson Wheel and Accessories to complete your system.

CD-i Systems are available in Classic or Vision Series



## Edson CDi Geared Steering Pedestal Selection Guide



Classic  
Order #464-6T



Vision "NV"  
Order #450-NV-T



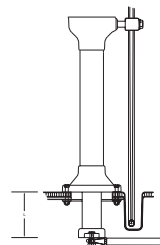
Vision "MA"  
Order #450-MA-T



Vision "MH"  
Order #450-MH-T

## Custom Design Options

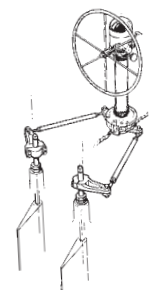
Today's modern racing and cruising designs don't have to be limited to production steering systems. With CD-i Steering System Components and the capabilities of Edson's design and manufacturing teams, boat builders and naval architects are limited only by their imaginations. Shown are just a few of the solutions Edson's Engineers have designed to accommodate custom installation requirements. If you have custom requirements, please contact Edson Customer Service at 508-995-9711.



Wheel Wells

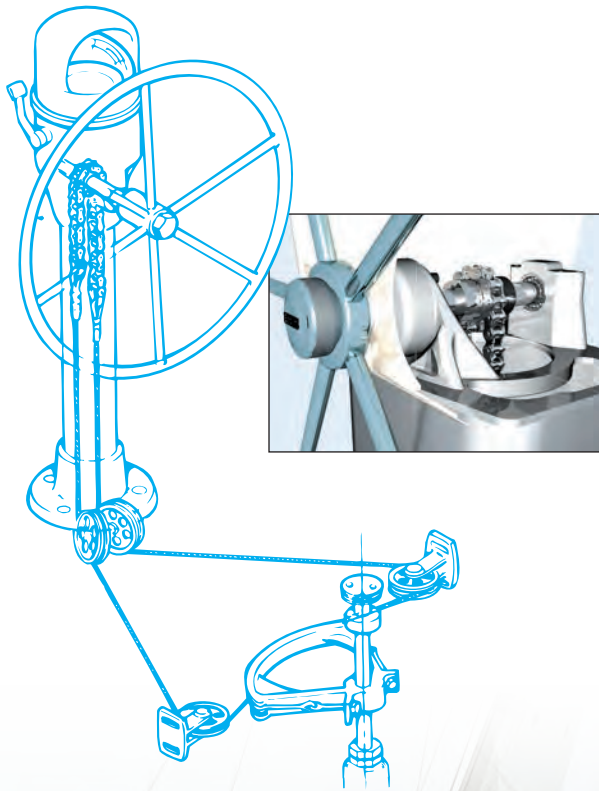


Internal Console Steerer



Twin Rudders

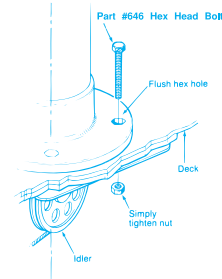
# Chain & Wire Steering Systems



Edson's time-proven, reliable system that has been used on thousands of boats for over 80 years.

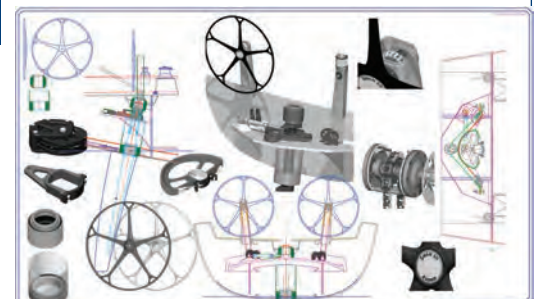
- Strong, dependable and time-proven design.
- Classic, Vision Series™ and Internal Pedestal designs available.
- Quadrant, Radial Drive™ and Center Cockpit Installations.
- Adjustable, easily maintained, spare parts readily available.
- For boats with rudderposts that have considerable rake.
- Most versatile system.
- Large variety of Wheels and Accessories.
- Highest quality marine-grade Stainless, Bronze and Aluminum components.
- Tiller-to-wheel conversion kits available.
- Designs for over 3000 boats.

Note: All Edson pedestals are designed to use Edson's exclusive Hex Head Aluminum Bolts. Pedestals built prior to February 1979 use flat head bolts. See page 33 for Mounting Bolts.



## Custom Design Options

Edson's Design Team has extensive experience in developing and manufacturing Steering Systems for all types of sailboats from daysailors to megayachts. Depend on us from the earliest design stages of the design process and we can help you develop a steering system custom tailored to your boat.





Chain & Wire Systems  
are available in Classic or  
Vision Series



## Edson Chain & Wire Steering Pedestal Selection Guide



Classic  
Order #336 or #402



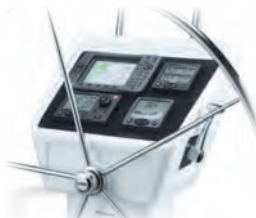
Vision II  
Order #476B-T



Vision "NV"  
Order #490-MV-T



Vision "MH"  
Order #490-MH-T



Vision "MA"  
Order #490-MA-T

Pedestal Type	Order #	Compass Size	Chain Size	Sprocket Pitch	# of Teeth	Weight lbs	Weight kg
<b>CLASSIC SERIES</b>							
6-7/8" Top Diameter	336-5-211T*	5"	5/8	2.2"	11	15	6.8
	336-5-215T	5"	5/8	3.0"	15	15	6.8
	336-5-310T	5"	3/4	2.4"	10	16	7.3
8" Top Diameter	402-6-211T*	6"	5/8	2.2"	11	16	7.3
	402-6-215T	6"	5/8	3.0"	15	16	7.3
	402-6-310T	6"	3/4	2.4"	10	17	7.7
<b>VISION SERIES</b>							
Vision II - Compact Base <small>(see IMPORTANT note below)</small>	476B-211T*	4" or 5"	5/8	2.2"	11	58	26
	476B-215T	4" or 5"	5/8	3.0"	15	58	26
Vision Series -MV	490-NV-211T*	4" or 5"	5/8	2.2"	11	58	26
	490-NV-215T	4" or 5"	5/8	3.0"	15	58	26
	490-NV-310T	4" or 5"	3/4	2.4"	10	59	26.
Vision Series -MA	490-MA-211T*	4" or 5"	5/8	2.2"	11	60	27
	490-MA-215T	4" or 5"	5/8	3.0"	15	60	27
	490-MA-310T	4" or 5"	3/4	2.4"	10	62	28
Vision Series -MH	490-MH-211T*	4" or 5"	5/8	2.2"	11	60	27
	490-MH-215T	4" or 5"	5/8	3.0"	15	60	27
	490-MH-310T	4" or 5"	3/4	2.4"	10	62	28

\*Standard sprocket size unless otherwise requested  
Straight Wheel Shafts are still available on special order. Contact Edson Customer Service.

**IMPORTANT:** Vision II (#476) Pedestal requires a special compact idler. Please see page 21 for ordering information. Contact customer service for details.

Note: Some pedestals shown with optional accessories. Wheels and instruments not included.

## Edson 420 Bulkhead Steerers

Designed for boats with built-in pedestal consoles, Edson's new Bulkhead Steerer features easy installation, Edson's super-sensitive Stainless Needle Bearings, a Thru-Shaft Wheel Brake, all-stainless construction and the ability to mount a Wheel Flange Adapter.

- Integral Thru-Shaft Wheel Brake with Stainless Knob.
- Easily Installed.
- Non-Magnetic Materials.
- Stainless Wheel Shaft.
- Type 316L Stainless Housing, Faceplate and Sprocket.
- Large Selection of Chain and Sprocket Sizes available.
- Optional Wheel Flange available.
- Pre-installed Threaded Studs for easy installation.
- Metric Mounting Studs upon request.
- Stainless Backing Plate Included.
- Accepts all Edson Wheels.
- Ideal for multi-hulls and twin wheel configurations.
- Bulkhead Gasket Included
- CE Compliant.

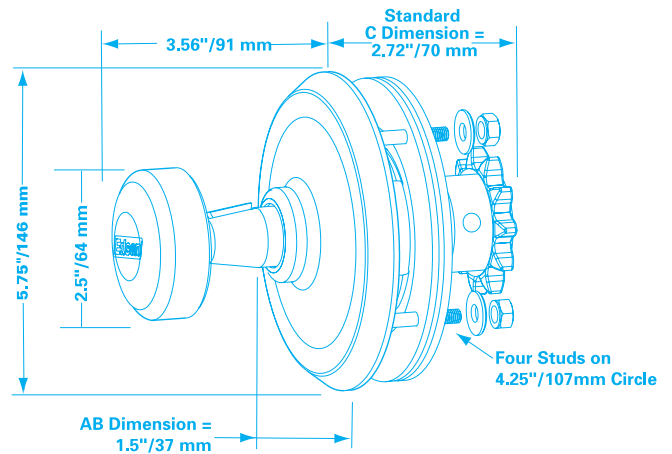


#420 Stainless Bulkhead Steerer



Photo ©2006 Spirit Yachts Ltd. All Rights Reserved

Edson's #420 Steerer is ideal for use in custom or integral pedestals. The Spirit 54 relies on Edson's Bulkhead Steerer to compliment her classic styling.



### BULKHEAD STEERER ORDERING INFORMATION

Steerer Type	Product #	Chain Size	Sprocket Pitch	No of Teeth	Weight lbs	Weight kg
Stainless Bulkhead	420-2-11T*	5/8"	2.2"	11	7	3.2
Tapered Shaft with Thru-Shaft Brake	420-2-15T	3/4"	3.0"	15	7	3.2
	420-3-10T	3/4"	2.4"	10	8	3.6
Stainless Bulkhead	421-2-11T*	5/8"	2.2"	11	7	3.2
Tapered Shaft - Less Brake	421-2-15T	3/4"	3.0"	15	7	3.2
	421-3-10T	3/4"	2.4"	10	8	3.6

\* Standard sprocket size unless otherwise requested. Call for additional sprocket sizes. Straight Wheel Shafts are still available on special order. Contact Edson Customer Service.



#### Tech Tip

'C' dimensions are standard lengths. Custom lengths are available. Contact Edson for additional information.

# Edson 418 Bulkhead Steerers

Edson engineers have designed Edson's 418 Bulkhead Steerer to be lightweight, versatile and rugged. For use on performance and cruising boats alike. Edson's Bulkhead Steerers feature Stainless Steel Needle Bearings to reduce friction, a Thru-Shaft Wheel Brake, all stainless construction and the ability to mount a Wheel Flange Adapter.



#418 Stainless Bulkhead Steerer

Forward Bearing also available alone as #7955T

Custom Forward Bearing Plate engraving available.



Experience fingertip control as found on the Morris 36 with Edson's super sensitive steering.

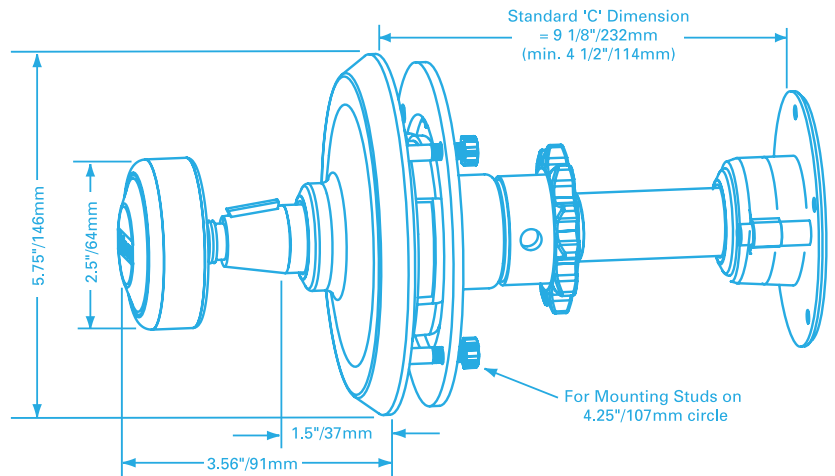
Photo by Onnie van der Wal



### Tech Tip

'C' dimension is the standard length. Shaft is easily shortened by installer to a minimum of 4-1/2" (114mm)

- Perfect for Custom Installations such as Bridge-Decks and Dual Steering Stations.
- Additional Shaft Space Available for Chain Driven Autopilots.
- Easily Installed.
- Non-Magnetic Materials.
- Stainless Steel Wheel Shaft.
- Type 316L Stainless Housing, Faceplate and Sprocket.
- Optional Wheel Flange available.
- Convenient Thru-Shaft Wheel Brake.
- Large Selection of Chain and Sprocket Sizes Available.
- Self-Aligning Forward Shaft Bearing provides ease of installation and alignment in pedestals.
- Configurations Available for all Edson Wheels.
- Pre-Installed Threaded Mounting Studs
- Bulkhead Gasket Included
- Engraveable Forward Bearing Faceplate Available.
- Wheel shaft easily shortened by installer for varying console depth applications.
- CE Compliant.



### GO TO

Wheel Flange Adapter available for mounting Edson's Diamond Series™ Ultra-Light and Carbon Wheels to tapered wheel shafts. Works with Thru-Shaft Brakes. See page 46



### CHAIN SPROCKET DATA

Size	Chain Pitch		Sprocket Pitch Diameter		Chain Travel per Turns of Wheel		No. of Teeth
	inches	mm	inches	cm	inches	cm	
2-11	5/8	15.9	2.2	5.6	6.9	17.5	11
2-15	5/8	15.9	3.0	7.6	9.4	23.9	15
3-10	3/4	19.1	2.4	6.1	7.6	19.3	10

Additional Sprocket sizes available. Contact Edson Customer Service for custom requirements.

### BULKHEAD STEERER ORDERING GUIDE

Steerer Type	Product #	Chain Size	Sprocket Pitch	No of Teeth	Weight lbs	kg
Stainless Bulkhead	418-2-11T*	5/8	2.2"	11	6.1	2.8
	418-2-15T	5/8	3.0"	15	6.1	2.8
	418-3-10T	3/4	2.4"	10	7.5	3.4
Stainless Bulkhead	419-2-11T*	5/8	2.2"	11	6.1	2.8
	419-2-15T	5/8	3.0"	15	6.1	2.8
	419-3-10T	3/4	2.4"	10	7.5	3.4

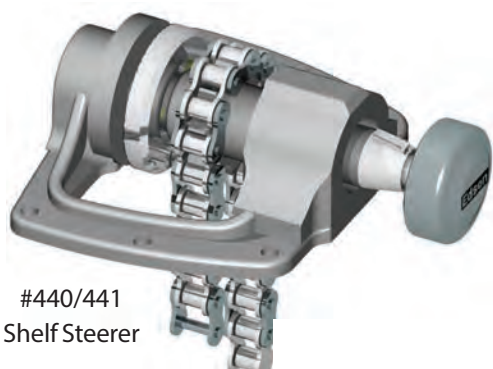
\*Standard sprocket size unless otherwise requested. Call for additional sprocket sizes. Straight Wheel Shafts are still available on special order. Contact Edson Customer Service.



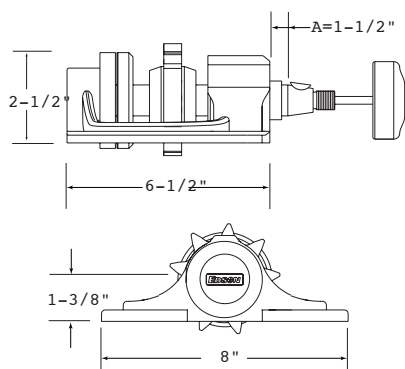
# Chain & Wire Internal Steerers

Edson's Needle Bearing Shelf Steerers are designed to provide precise steering control for larger boats. They are highly desirable due to their dependability, super sensitive "feel" and friction-free performance. Designed to be mounted on a shelf or horizontal flat surface, they are exceptionally strong and easy to install. Edson's Needle Bearing Steerers are available in a variety of choices to suit individual needs. Needle bearings and bearing liners are of high grade stainless. Used on a variety of boats including Whitbread Race winners, J-Boats and many other popular designs!

## Heavy Duty Needle Bearing Shelf Steerer



#440/441  
Shelf Steerer



Optional Wheel Flange  
Order #698FL - see pg.46

- Designed for use on offshore race/cruisers and heavy displacement yachts.
- Large 1" and 1 1/4" Stainless Roller Bearings & Liners are very efficient and provide exceptional feel and sensitivity.
- Convenient Thru-Hub Wheel Brake.
- Available for use with 5/8" (#50), 3/4" (#60) or 1" (#80) Roller Chain.
- Equipped with either a standard 1" tapered wheel shaft with 3/16" key or 5/4" wheel flange.
- Specify wheel type to be used when ordering.

### HEAVY DUTY SHELF STEERER ORDERING GUIDE

Steerer Type	Order #	Chain Size	Sprocket Pitch	No of Teeth	Weight	
					lbs	kg
Heavy Duty Needle Bearing	440-3-10T**	3/4"	2.4"	10	9	4.1
Tapered Shaft with Thru-Shaft Brake	440-3-15T	3/4"	3.6"	15	9.5	4.3
	440-3-17T	3/4"	4.1"	17	9.5	4.3
	440-4-10T	1"	3.2"	10	9.5	4.3
Heavy Duty Needle Bearing	441-3-10T**	3/4"	2.4"	10	9	4.1
Tapered Shaft - Less Brake	441-3-15T	3/4"	3.6"	15	9.5	4.3
	441-3-17T	3/4"	4.1"	17	9.5	4.3
	441-4-10T	1"	3.2"	10	9.5	4.3

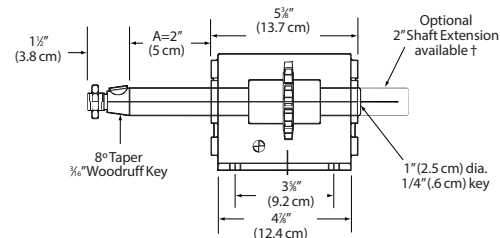
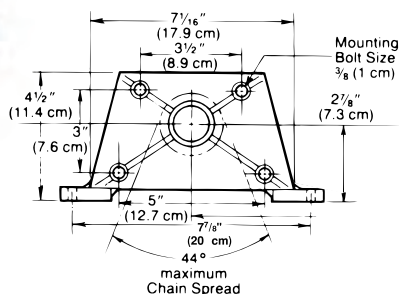
\*\* Standard sprocket size unless otherwise requested. Call for additional sprocket sizes. Straight Wheel Shafts still available on special order. Contact Edson Customer Service.

## Needle Bearing Shelf Steerer



#408  
Shelf Steerer

- Designed for sailboats from 33' to 75'
- Thru-Shaft Brake
- Inverted aluminum "V" frame allows the chain to exit at a wide angle.
- Stainless Roller Bearings & Liners provide exceptional feel and sensitivity.
- Reduces the total number of sheaves required, thus increasing steering sensitivity.
- Can be used in a custom pedestal, bridge deck, powerboat console or bulkhead.
- Accepts any Edson #855 Sprocket.



Proudly  
Steering



Optional Wheel Flange  
Order #698FL - see pg.46

### NEEDLE BEARING SHELF STEERER ORDERING GUIDE

Steerer Type	Order #	Chain Size	Sprocket Pitch	No of Teeth	Weight	
					lbs	kg
Needle Bearing Shelf Steerer With Thru-Shaft Brake	408-2-11T**	5/8"	2.2"	11	6	2.7
	408-2-15T	3/4"	3.0"	15	6	2.7
	408-2-21T	3/4"	4.2"	21	6.5	2.9
	408-3-10T	3/4"	2.4"	10	6.5	2.9
	408-3-15T	3/4"	3.6"	15	6.5	2.9

\*\* Standard sprocket size unless otherwise requested. Call for additional sprocket sizes.

† Shaft extension available - specify when ordering. Additional charge applies. See Order #946. Straight Wheel Shafts are still available on special order. Contact Edson Customer Service.

## Grand Prix Pedestal Insert Steerer



#435ST-2-15T  
Grand Prix Steerer



Optional #420  
Carbon Racing Pedestal

- Extremely compact - 4" (102mm) x 7" (178mm)
- Lightweight - 2.5lbs (1.2kg)
- 5/8" and 3/4" sprockets available
- Fits Edson #430 Carbon Racing pedestal



Photos courtesy of Latini Marine

TP-52 Orlanda relies on Edson's Race-Proven Ultra-Light Steerers and Carbon Tri-Spoke Wheels

### GRAND PRIX STEERER ORDERING INFORMATION

Steerer Type	Order #	Chain Size	Sprocket Pitch	No of Teeth	Weight lbs	kg
1" Shaft - Sprocket for 5/8" Chain	435ST-100-2-11T*	5/8"	2.2"	11	2.5	1.13
1" Shaft - Sprocket for 3/4" Chain	435ST-100-3-10T	3/4"	2.4"	10	2.75	1.25

\* Standard sprocket size unless otherwise requested. Call for additional sprocket sizes. Straight Wheel Shafts are still available on special order. Contact Edson Customer Service.

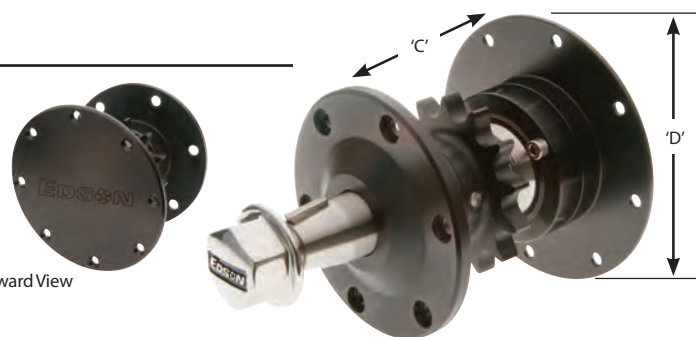
## Ultra-Light Flange Steerer

- Ultra-Light design for use on performance boats.
- Two sizes available: 1" wheel shaft for boats up to 40' or 1-1/4" wheel shaft for larger boats with higher steering loads.
- Black Hardcote aluminum mounting flanges and sprocket.
- Stainless Wheel Shaft, Needle Bearings & Bearing Liners provide exceptional feel and sensitivity.
- Equipped with either a standard 1" straight wheel shaft, tapered wheel shaft, or 5/4" wheel flange.
- Specify wheel type to be used when ordering.
- Custom shaft lengths available.



Optional Wheel Flange  
Order #698FL - see pg.46

Forward View



### ULTRA-LIGHT FLANGE STEERER ORDERING INFORMATION

Steerer Type	Order #	Chain Size	Sprocket Pitch	No of Teeth	Weight lbs	kg
1" Shaft - Size 1	425-100-2-11T*	5/8"	2.2"	11	3.16	1.44
'D'=4" (102mm), 'C'=4.13" (102mm)	425-100-2-13T	5/8"	2.6"	13	3.2	1.46
	425-100-2-15T	5/8"	3.0"	15	3.25	1.48
	425-100-3-10T*	3/4"	2.4"	10	4.27	1.94
1-1/4" Shaft - Size 2	425-125-3-13T	3/4"	3.1"	13	4.60	2.09
'D'=4.5" (114mm), 'C'=5.138" (130.5mm)	425-125-3-15T	3/4"	3.6"	15	4.82	2.19

\* Standard sprocket size unless otherwise requested. Call for additional sprocket sizes. Straight Wheel Shafts are still available on special order. Contact Edson Customer Service.

## Edson Ultra-Light Racing System™

Designed and built in cooperation with the most respected performance yacht builders in the world, the Ultra-Light Racing System is an extremely lightweight and strong steering system for the modern racing yacht. Edson's engineers have optimized the design of the Radial Drive, Steering Wheel, Steering Drum and Line System to achieve a remarkable strength-to-weight ratio. Race-proven in numerous ILC, IMS, IRM and One-Design Winners, the Edson ULRS's combination of Large-Diameter Steerer, Ultra-Light or Carbon Wheels and Lightweight Radial Drive makes it the lightest, strongest, FASTEST steering system available today.

### ULRS Features

- Total system weighs as little as 28 Pounds including wheel!
- Utilizes 5/8" Vectran® Line for Strength, Weight Savings and Low Stretch.
- Large Diameter Hollow Drum Hub & Shaft for Load Distribution and Weight Savings.
- Engineered Wheel Spoke Pattern to Optimize Strength and Add To Lightness.
- Super-Lightweight "Butterfly" Radial Wheel.



Farr 40

Photo Courtesy: KOS STRATEGIC

Featured On:



# Chain, Wire Rope & Fittings

All Edson Steering Chain, Wire and Fittings are constructed of the highest quality marine-grade, non-magnetic materials. For replacements, measure your existing Chain and Wire Rope sizes and lengths. Or contact Edson or your local dealer for the original equipment specification on your boat.

## Edson's Chain and Wire Rope Kit

One length of roller chain and two lengths of wire are assembled in the sizes and lengths you request. The connections between wire and chain are covered in clear shrink plastic to prevent fouling. All roller chain and wire rope are stainless, and the chain end fittings are cotter-pinned for ease of maintenance.

Now includes connecting hardware!

Chain & Wire Rope Assembly - Order #774 - Specify Size  
(See Selection Guide below and Price Page for Sizes).

Chain & Wire Rope Kits now include Take-Up Eyes, Wire Thimbles and Wire Rope Clamps!



CHAIN AND WIRE KIT ORDERING GUIDE					
Roller Chain Size	Connector Type	Length of Chain	Diameter of Wire	Length of Each S.S. Wire Rope	Order #
3/8" - #50	Stainless Clevis #736	1.5'/.46 m	3/16"/5 mm	7'/2 m	#774-2S15B7
3/8" - #50	Stainless Clevis #736	1.5'/.46 m	3/16"/5 mm	9'/2.75 m	#774-2S15B9
3/8" - #50	Stainless Clevis #736	1.5'/.46 m	3/16"/5 mm	13'/4 m	#774-2S15B13
3/8" - #50	Stainless Clevis #736	2'/.6 m	3/16"/5 mm	7'/2 m	#774-2S2B7
3/8" - #50	Stainless Clevis #736	2'/.6 m	3/16"/5 mm	9'/2.75 m	#774-2S2B9
3/8" - #50	Stainless Clevis #736	2'/.6 m	3/16"/5 mm	13'/4 m	#774-2S2B13
3/8" - #50	Stainless Adapter #635	2'/.6 m	1/4"/6.4 mm	9'/2.75 m	#774-2B2D9
3/8" - #50	Stainless Adapter #635	2'/.6 m	1/4"/6.4 mm	26'/8 m	#774-2B2D26
3/8" - #50	Stainless Adapter #635	2.5'/.75 m	1/4"/6.4 mm	9'/2.75 m	#774-2B25D9
3/8" - #50	Stainless Adapter #635	2.5'/.75 m	1/4"/6.4 mm	26'/8 m	#774-2B25D26

## Edson's Chain Kit

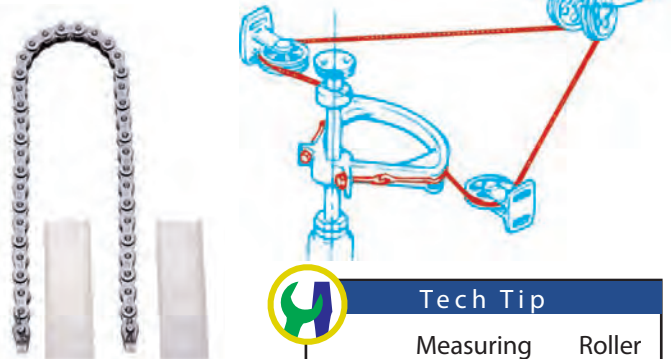
Consists of the specified length of chain, two chain-to-wire adapters and two lengths of shrink wrap to cover the chain-to-wire adapters. When ordering, please note the size of wire to which the chain is being attached so that we can provide the proper sized end fittings.

Chain Kit - Order #886 - Specify Size

(See Selection Guide below and Price Page for Sizes)

CHAIN KIT ORDERING GUIDE			
Roller Chain Size	Connector Type	Length of Chain	Order #
3/8" - #50	Stainless Clevis #736	1.5'/.46 m	#886-2S15
3/8" - #50	Stainless Clevis #736	2'/.61 m	#886-2S2
3/8" - #50	Stainless Adapter #635	2'/.61 m	#886-2B2
3/8" - #50	Stainless Adapter #635	2.5'/.76 m	#886-2B25

Edson Chain Kit #886



## Edson's Wire Rope Kit

Consists of one length of the specified length of wire, preassembled and nico-pressed together with the thimble and chain adapter as shown, as well as one length of shrink wrap to cover the chain-to-wire connection. Two lengths required per steering installation.

Wire Rope Kit - Order #885 - Specify Size

(See Selection Guide below and Price Page for Sizes)

WIRE KIT ORDERING GUIDE			
Connector Type	Diameter of S.S. Wire Rope	Length of Wire	Order #
Stainless Clevis #736	3/16"/5 mm	7'/2 m	#885-SB7
Stainless Clevis #736	3/16"/5 mm	9'/2.75 m	#885-SB9
Stainless Clevis #736	3/16"/5 mm	13'/4 m	#885-SB13
Stainless Adapter #635	1/4"/6.4 mm	9'/2.75 m	#885-BD9
Stainless Adapter #635	1/4"/6.4 mm	26'/8 m	#885-BD26



Edson Wire Rope Kit #885

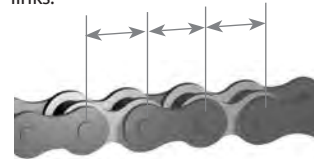


### Tech Tip

#### Measuring Roller

#### Chain

Roller Chain is measured from pin-center to pin-center along its length. Common Sizes used on boat steering systems are 1/2" (#40), 5/8" (#50), 3/4" (#60) and 1" (#80). These sizes are usually stamped on the side of the chain links.



## Custom Chain and Wire Kits

Edson can custom build Chain & Wire Kits, Chain Kits or Wire Kits to your specifications. The chart below can be used to specify the correct combination of Chain, Wire and Fittings.

Custom Chain & Wire Kit - Order #774 - Specify Size

Custom Chain Kit - Order Product #886 - Specify Size

Custom Wire Kit - Order Product #885 - Specify Size

CUSTOM CHAIN AND WIRE KIT SIZE SELECTION GUIDE				
Roller Chain Size	Connector Type	Length of Chain	Diameter of S.S. Wire Rope	Length of Each Wire
2 = 5/8" #50	S = #736 SS Clevis B = #635 Heavy Duty Adapter	15 = 1.5 ft	B = 3/16" Dia	in Feet
3 = 3/4" #60		2 = 2 ft	D = 1/4" Dia	
		25 = 2.5 ft	E = 5/16" Dia	

Example: If you need a 1 1/2' section of #50 chain and two 7' pieces of 3/16" wire rope, you would order #774-2S15B7. 2=5/8" Chain, S=Stainless Clevis, B=3/16" Wire Rope, 7=Two lengths of 7' wire



### Warning

For safety, Edson recommends replacing your Chain and Wire Kit every 5 years. Clean it up, inspect it and if it is in good working condition, keep it on board for an emergency backup.

On all boats, especially those in Charter Service or sailing in the tropics, the chain and wire MUST be lubricated and inspected monthly. The effects of sun, saltwater and inexperienced users can be severe and must be compensated for by increased inspection and maintenance schedules.

Edson's Wire Rope Tensioning Kits include (2) Stainless Take-Up Eyes, (2) Stainless Thimbles and (4) Stainless Wire Rope Clamps, sized for either 3/16" or 1/4" wire rope.



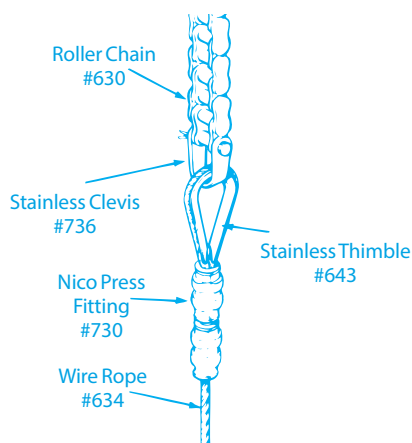
### WIRE TENSIONING KIT ORDERING GUIDE

Order #	Wire Size
773-187	3/16"
773-250	1/4"

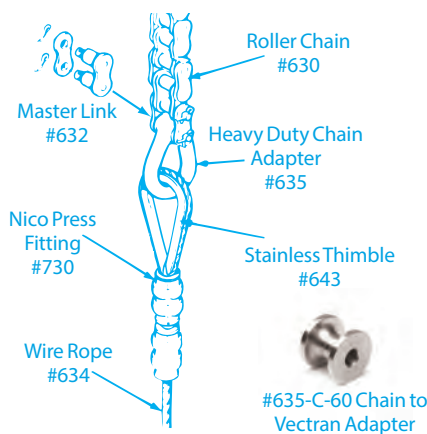
## Chain, Wire Rope and Fittings

Chain and Wire are specified and connected in several different configurations, depending on the rudder loads that the boat will experience. Typically, boats in the 25'-42' (7.6m-12.8m) range see rudder loads that require 3/16" or 1/4" wire rope and 5/8" Roller Chain and are connected with a stainless clevis as shown in Fig. 1.

Larger boats with higher rudder loads often require 1/4" or 5/16" wire rope and 3/4" roller chain, connected with a Heavy Duty Stainless or Bronze Adapter as shown in Fig. 2.

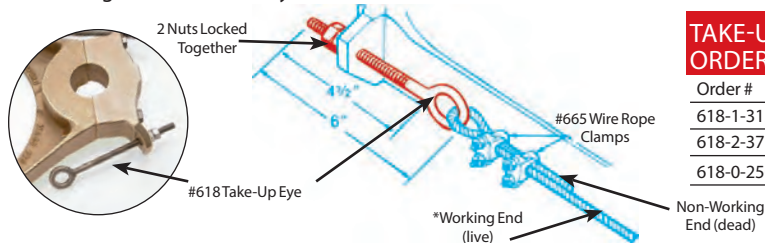


**Figure 1**  
Consists of the standard Edson assembly of a Roller Chain and Wire Rope Kit when using 5/8" #50 Roller Chain with 3/16" (4.8mm) Wire Rope.



**Figure 2**  
Consists of the standard Edson assembly of a Roller Chain and Wire Rope Kit when using 5/8" #50, 3/4" #60 or 1" #80 Roller Chain with 1/4" (6.35mm) or 5/16" (8.0mm) Wire Rope.

Edson's Take-Up Eyes accept Wire Rope up to 3/8" (9.5mm) in diameter, making adjustment of steering cable tension easy. For use with both Quadrants and Drive Wheels.



### TAKE-UP EYE ORDERING GUIDE

Order #	Wire Size	Bolt Dia.
618-1-312	3/16"/1/4"	5/16"
618-2-375	1/4"/5/16"	3/8"
618-0-250	3/16"	1/4"

Edson's Stainless Wire Rope Clamps are used to secure the end of the wire rope after it goes through the Take-Up Eye on Quadrants and Drive Wheels. Two each are required for each take-up eye, or four total for a steering installation.



### Tech Tip

\*When fastening a Wire Rope clamp, "Never saddle a dead horse". Always put the open/saddle side of the clamp on the side of the wire that is working or "live".



### WIRE ROPE CLAMP ORDERING GUIDE

Wire Size	Order #
3/16"	665ST-187
1/4"	665ST-250
5/16"	665ST-312

### ORDERING INFORMATION/ FITTINGS SPECIFICATIONS

#### #630 STAINLESS ROLLER CHAIN

Order #	Size	Breaking Strength	Weight Per Ft.
	Inches mm	Lbs	kg
630-50	5/8 15.87	5000 lbs	.6 .27
630-60	3/4 19.05	7000 lbs	.9 .40
630-80	1 25.40	10000 lbs	1.6 .72

#### #632 STAINLESS MASTER LINK

Order #	Chain Size	Breaking Strength
	Inches mm	Lbs
632-50	5/8 15.87	4700 lbs
632-60	3/4 19.05	6800 lbs
632-80	1 25.40	10000 lbs

#### #633 STAINLESS ROLLER CHAIN HALF LINKS

Order #	Chain Size	Breaking Strength
	Inches mm	Lbs
633-50	5/8 15.87	4450 lbs
633-60	3/4 19.05	6000 lbs

#### #634 STAINLESS WIRE ROPE

Order #	Diameter	Breaking Strength	Type
	Inches mm	Lbs	Construction
634-187	3/16 4.76	2900 lbs	7x19
634-250	1/4 6.35	4900 lbs	7x19
634-312	5/16 8.00	7600 lbs	7x19

#### #635 HEAVY DUTY CHAIN ADAPTER

Order #	Chain Size	Tested Strength	Max. Wire Rope Size
	Inches mm	Lbs	Rating
635ST-50	5/8 15.87	5000 lbs	1/4 6.35 mm
635BR-60	3/4 19.05	7000 lbs	3/8 9.52 mm
635BR-80	1 25.40	9000 lbs	3/8 9.52 mm
635-C-60	XX XX	XX XX	XX XX

#### #643 STAINLESS THIMBLES

Order #	Thimble Size	Max Wire Rope Size	Max Load Rating
	Inches mm	Lbs	Rating
643-187	3/16 4.76	3/16	2220 lbs
643-250	1/4 6.35	1/4	3660 lbs
643-312	5/16 8.00	5/16	4560 lbs

#### #665ST STAINLESS WIRE ROPE CLAMPS

Order #	Clamp Size	Max Load Rating	Min Clamps per side
	Inches mm	Lbs	Rating
665ST-187	3/16 4.76	3120 lbs	2
665ST-250	1/4 6.35	5280 lbs	2
665ST-312	5/16 8.00	7600 lbs	3

#### #730 NICO PRESS FITTINGS - INSTALLED (For fittings only - see price list #747)

Order #	Size	Wire Rope	Tested Strength
	Inches mm	Lbs	Using only 1 Fitting
730-187	3/16 4.76	3/16	2900 lbs
730-250	1/4 6.35	1/4	5000 lbs
730-312	5/16 8.00	5/16	7600 lbs

#### #736 STAINLESS ROLLER CHAIN CLEVIS

Order #	Size	Breaking Strength	Max. Wire Rope Size
	Inches mm	Lbs	Rating
736-50	5/8 15.87	3500 lbs	3/8 4.76 mm

## Edson Articu-Lock™ Sheave Assemblies

Edson's Articu-Lock Sheaves – Ideal for performance sailboats, cruising/racing catamarans and high-tech cruising yachts above 27 feet. Edson engineers have designed this new sheave to be lightweight, strong and extremely easy to align and lock in place.

NOTE: Order AL for Aluminum or BR for Bronze sheaves.

- Single or Double Styles available.
- Sheaves can articulate through 180° for ease of installation and alignment.
- Available in 4", 6", 8" and 10" models.
- Stainless Needle Bearings, Pins and Races virtually eliminate friction and wear.
- High-Strength, Investment Cast 316 Stainless Base and Uprights.
- Large-footprint mounting base for extra support and strength.
- Cast Aluminum Sheaves (Bronze available in 8" & 10").
- Positive lock when desired sheave angle is determined.
- Ideal for performance sailboats, cruising/racing catamarans and high-tech cruising yachts.
- Extra-deep grooved sheaves for extremely safe wire seat.
- 8" and 10" models feature integral grease fittings.



6" Double - #626ST-6AL



6" Single - #622ST-6AL

4" Single - #622ST-4AL



8" Single - #622ST-8BR

10" Single - #622ST-10AL



Articu-Lock Sheaves can be mounted with up to 180 degrees of adjustment.

NOTE: Sheaves must be locked in place when adjustment is complete.

### ARTICU-LOCK™ SHEAVE ASSEMBLY ORDERING GUIDE

	Order #	Sheave Dia.	Base (Approx.)	Height Overall	Max. Wire Size	Pin Dia.	Aluminum Sheave Weight	Bronze Sheave Weight	Safe Working Load-Lbs.	Break Strength Lbs.
Single	622ST-4 AL	4"	5 3/4" x 3 1/4"	5 7/8"	1/4"	3/8"	3.7 lbs	n/a	4,000 lbs	8,000 lbs
		10.2 cm	146 x 83 mm	149 mm	6 mm	10 mm	1.68 Kg	n/a	1,814 Kg	3,628 Kg
	622ST-6 AL	6"	5 3/4" x 3 1/4"	7 7/8"	5/16"	5/8"	4 lbs	n/a	5,000 lbs	8,000 lbs
		15.2 cm	146 x 83 mm	200 mm	8 mm	16 mm	1.82 Kg	n/a	2,268 Kg	3,628 Kg
	622ST-8 (*)	8"	8 1/2" x 4 3/8"	10 1/4"	3/8"	1"	9.5 lbs	13.1 lbs	10,000 lbs	15,000 lbs
	20.3 cm	214 x 111 mm	261 mm	10 mm	25 mm	4.3 Kg	6.9 Kg	4,536 Kg	6,800 Kg	
	622ST-10 (*)	10"	8 1/2" x 4 3/8"	12 1/2"	7/16"	1"	11.0 lbs	18.1 lbs	10,000 lbs	15,000 lbs
		25.4 cm	214 x 111 mm	318 mm	11 mm	25 mm	5.0 Kg	8.2 Kg	4,536 Kg	6,800 Kg
Double	626ST-4 AL	4"	5 3/4" x 5"	5 7/8"	1/4"	3/8"	6.55 lbs	n/a	4,000 lbs	8,000 lbs
		10.2 cm	146 x 127 mm	149 mm	6 mm	10 mm	2.98 Kg	n/a	1,814 Kg	3,628 Kg
	626ST-6 AL	6"	5 3/4" x 5"	7 7/8"	5/16"	5/8"	7.65 lbs	n/a	5,000 lbs	8,000 lbs
		15.2 cm	146 x 127 mm	200 mm	8 mm	16 mm	3.48 Kg	n/a	2,268 Kg	3,628 Kg

\* - specify AL (aluminum) or BR (bronze). 6" Sheave available with bronze oilite or stainless needle bearing - see price page.

## Adjustable Idlers

Edson's Adjustable Idler - designed for boats having the quadrant on the forward side of the rudderpost, and the pedestal either forward or aft of the rudderpost. They can be used for Radial Drive Steering Systems when the pedestal is located aft of the rudderpost. Feature anodized aluminum bases, stainless uprights, anodized aluminum sheaves and stainless sheave guards. Heavy Duty Racing/Cruising version with Solid Bronze base also available for boats with higher rudder loads.

4" Adjustable Idler - Order #711AL-4AL

6" Adjustable Idler - Order #711AL-6AL\*

4" Adjustable Racing/Cruising Idler - Order #711BR-4AL

6" Adjustable Racing/Cruising Idler - Order #711BR-6AL\*



6" Adjustable Idler  
#711AL-6AL



4" Adjustable Idler  
#711AL-4AL

Edson's Compact Idler - designed especially for Edson's #476 Vision II Compact Pedestal. Recessed versions also available.

4" Adjustable Compact Idler - Order 713AL-FL-4AL

6" Adjustable Compact Idler - Order 713AL-FL-6AL\*

(Compact Idlers compatible ONLY with 476 pedestals)



Racing/Cruising Idler  
#711BR-6AL  
(6" shown)



4" Compact Idler  
#713AL-FL-4AL

## Adjustable Crossed-Wire Idlers

Edson's Adjustable Crossed-Wire Idler - for use on boats where the quadrant is aft of the rudderpost or on Radial Drive Steering Systems when the pedestal is located forward of the rudderpost. This exclusive Edson design crosses the wire within the pedestal column and the slanted sheaves, correctly aiming the wires at the sprocket for proper alignment of the wire to the sheaves, reducing the risk of chaffing. The sheaves are fully adjustable between 10° and 155° aft and lock in place to maintain the desired setting. They also feature anodized aluminum bases, stainless uprights, anodized aluminum sheaves and stainless sheave guards. Heavy Duty Racing/Cruising version with Solid Bronze base also available for boats with higher rudder loads.

4" Adjustable Crossed-Wire Idler - Order #776AL-4AL

6" Adjustable Crossed-Wire Idler - Order #776AL-6AL\*

4" Adjustable Racing/Cruising Crossed-Wire Idler - Order #776BR-4AL

6" Adjustable Racing/Cruising Crossed-Wire Idler - Order #776BR-6AL\*



6" Crossed-Wire Idler  
#776AL-6AL



4" Crossed-Wire Idler  
#776AL-4AL



Racing/Cruising  
Crossed-Wire Idler  
#776BR-6AL  
(6" shown)



4" Compact  
Crossed-Wire Idler  
#712AL-FL-4AL

Edson's Compact Crossed-Wire Idler - designed especially for Edson's #476 Vision II Compact Pedestal. Recessed versions also available.

4" Cross Wire Compact Idler - Order 712AL-FL-4AL

6" Cross Wire Compact Idler - Order 712AL-FL-6AL\*

(Compact Idlers compatible ONLY with 476 pedestals)

**WARNING!** Larger steering wheel diameters impart higher loads on the complete steering system. All components including chain, wire and idlers should be up-sized. Adjustable sheave uprights must be locked in place with supplied bolts and nuts after installation.



6" Idlers



4" Idlers

### IDLER SPECIFICATIONS AND ORDERING GUIDE

Part No.	Boat Length	Idler Size in(cm)	Dia Wire in(cm)	Max Width in(cm)	Max Depth in(cm)	Weight lbs(kg)
711AL-4AL	to 36'	4 (10.2)	to ¼(.64)	9.5 (24.1)	6.0 (15.2)	6.5 (2.9)
711AL-6AL	37'-44'	6 (15.2)	to ⅜(.95)	13 (33.0)	7.25 (18.4)	9.0 (4.1)
711BR-4AL	to 36'	4 (10.2)	to ¼(.64)	9.5 (24.1)	6.0 (15.2)	8.0 (3.6)
711BR-6AL	35'-48'	6 (15.2)	⅜ (.95)	9.5 (24.1)	7.5 (19.0)	13.0 (5.9)
776AL-4AL	to 36'	4 (10.2)	to ¼(.64)	8.25 (21.0)	6.0 (15.2)	7.0 (3.2)
776AL-6AL	37'-44'	6 (15.2)	to ⅜(.95)	12.5 (31.8)	7.25 (18.4)	9.5 (4.3)
776BR-4AL	to 36'	4 (10.2)	to ¼(.64)	9.5 (24.1)	6.0 (15.2)	8.0 (3.6)
776BR-6AL	35'-48'	6 (15.2)	to ⅜(.95)	9.5 (24.1)	7.5 (19.0)	13.0 (5.9)

All Edson Idlers now come standard with Sheave Guards!

\* NOTE: 6" Sheaves available with bronze oilite or stainless needle bearing - see price page.

# Wire Rope Sheaves

Edson's Sheaves and Sheave Assemblies are available in Bronze or lightweight Black Anodized Aluminum (see charts for sizes), and are specially designed for use in wire rope steering systems for sailboats.

The Aluminum Sheaves are ideal for the performance boat that requires sensitive, lightweight steering. The 4" sheaves run on oil impregnated bronze bearings, while 6" sheaves use bronze or stainless needle bearings. The larger (8", 10", and 12") sizes in Bronze or Aluminum run on stainless needle bearings and liners for

super sensitive action.

Sheave hubs are wider than the rims to prevent side friction and noise. Sheave pins are stainless and easily removable for ease of installation or maintenance and sheave housings are designed with arrestor systems to minimize sheave pin wear.



## Tech Tip

ABYC & CE standards require sheave diameters to be a minimum of 16X the diameter of the wire. However, for optimum steering performance, use the largest sheave possible to prevent wire jump-out and to reduce friction.

## SINGLE UPRIGHT SHEAVE ASSEMBLY



#620BR-4AL

Order #	Sheave Dia.	Base (Approx.)	Height Overall	Max. Wire Size	Pin Dia.	Weight		Safe Working Load Lbs.	Break Strength Lbs.
						Alum. lbs.	Bronze lbs.		
620BR-4AL	4"	3" x 2 1/4"	4 5/8"	1/4"	3/8"	1 3/4	n/a	4,000	8,000
	10.2 cm	7.6 x 5.7 cm	11.8 cm	6.4 mm	9.5 mm	.8 Kg	n/a	1,900 Kg	3,600 Kg
620BR-6AL	6"	3 3/4" x 5 1/2"	6 1/2"	3/8"	5/8"	4 1/2	n/a	5,000	10,000
	15.2 cm	8.3 x 13.9 cm	16.5 cm	9.5 mm	15.9 mm	2.0 Kg	n/a	2,300 Kg	4,500 Kg
620(*)-8	8"	8" x 3 3/4"	9"	1/2"	1"	3.95	7.7	10,000	20,000
	20.3 cm	20.3 x 9.5 cm	22.8 cm	12.7 mm	25.4 mm	1.8 Kg	3.5 Kg	4,500 Kg	9,000 Kg
620(*)-10	10"	9" x 5"	11"	1/2"	1"	11	21	15,000	30,000
	25.4 cm	22.9 x 12.7 cm	27.9 cm	12.7 mm	25.4 mm	5.0 Kg	9.5 Kg	6,800 Kg	13,600 Kg
620(*)-12	12"	10 1/2" x 7"	14"	3/4"	1 1/4"	17	36	20,000	40,000
	30.5 cm	26.7 x 17.8 cm	5.6 cm	19.5 mm	31.8 mm	7.7 Kg	16.3 Kg	9,000 Kg	18,000 Kg

\* Specify AL for Aluminum or BR for Bronze. 6" Sheaves available with bronze oilite or stainless needle bearing - see price page.

## FLAT SHEAVE ASSEMBLIES



#847-6AL

#621BR-4AL

#621AL-8ALNB

Order #	Sheave Dia.	Base (Approx.)	Height Overall	Max. Wire Size	Pin Dia.	Weight		Safe Working Load Lbs.	Break Strength Lbs.
						Alum. lbs.	Bronze lbs.		
847-4AL	4"	2 7/8" x 7"	1 1/2"	1/4"	3/8"	2	n/a	4,000	8,000
	10.2 cm	7.3 x 18 cm	3.8 cm	6.4 mm	9.5 mm	.91 Kg	n/a	1,900 Kg	3,600 Kg
847-6AL	6"	4 3/8" x 9"	1 3/4"	3/8"	5/8"	2.24	n/a	5,000	10,000
	15.2 cm	11.1 x 22.9 cm	4.4 cm	9.5 mm	15.9 mm	1.02 Kg	n/a	2,300 Kg	4,500 Kg
621BR-4AL	4"	2 7/8" x 7"	1 1/2"	1/4"	3/8"	N/A	2 3/4	4970	9940
	10.2 cm	7.3 x 18 cm	3.8 cm	6.4 mm	9.5 mm	N/A	1.25 Kg	2255 Kg	4511 Kg
621BR-6AL	6"	4 3/8" x 9"	1 3/4"	3/8"	5/8"	N/A	5 1/4	13,770	27,540
	15.2 cm	11.1 x 22.9 cm	4.4 cm	9.5 mm	15.9 mm	N/A	2.4 Kg	6249 Kg	12,498 Kg
621(*)-8	8"	11 7/8" x 5"	2 3/4"	1/2"	1"	4	8	10,000	20,000
	20.3 cm	30.1 x 12.7 cm	6.9 cm	12.7 mm	25.4 mm	1.8 Kg	3.6 Kg	4,500 Kg	9,000 Kg
621(*)-10	10"	14" x 7"	3 1/4"	1/2"	1"	9	19	15,000	30,000
	25.4 cm	35.6 x 17.8 cm	8.3 cm	12.7 mm	25.4 mm	4.1 Kg	8.6 Kg	6,800 Kg	13,600 Kg
621(*)-12	12"	16" x 14"	4 1/2"	3/4"	1 1/4"	19	38	20,000	40,000
	30.5 cm	40.6 x 35.6 cm	11.4 cm	19.5 mm	31.8 mm	8.6 Kg	17.2 Kg	9,000 Kg	18,000 Kg

\* Specify AL for Aluminum or BR for Bronze. 6" Sheaves available with bronze oilite or stainless needle bearing - see price page.

## SINGLE SHEAVE SELECTION GUIDE

### Sheaves Only



Forged Brass & Cast Bronze

Anodized Aluminum

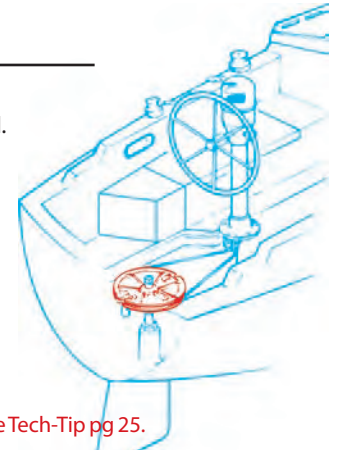
Edson's Sheaves may be the answer in many areas of custom boat building, not only for steering but also for centerboards, custom deck hardware, or remote actuators, such as emergency shut off valves and CO2 systems. Great care should be taken to insure that the wire and sheave size are matched.

Order #624 (specify size and material).

Order #	Sheave Dia.	Hub Width	Rim Width	Max. Wire Size	Pin Dia.	Weight		Safe Working Load-Lbs.	Break Strength Lbs.
						Alum. lbs.	Bronze lbs.		
624-3BR Bronze only	3"	1/2"	1/2"	3/16"	3/8"	N/A	9 oz	3,000	5,000
	7.7 cm	12.7 mm	12.7 mm	4.8 mm	9.5 mm	N/A	252 g	1,300 Kg	2,300 Kg
624-4AL Aluminum only	4"	5/8"	1/2"	1/4"	3/8"	5 oz	140 g	4,000	8,000
	10.5 cm	15.9 mm	12.7 mm	6.4 mm	9.5 mm	N/A	N/A	1,900 Kg	3,600 Kg
624-6AL Aluminum only	6"	3/4"	5/8"	3/8"	5/8"	11 oz	N/A	5,000	10,000
	15.2 cm	19.5 mm	15.8 mm	9.5 mm	15.8 mm	.31 Kg	N/A	2,300 Kg	4,500 Kg
624-8(*)	8"	1"	3/4"	1/2"	1"	1.6	5	10,000	20,000
	20.3 cm	25.4 mm	19.1 mm	12.7 mm	25.4 mm	.73 Kg	2.3 Kg	4,500 Kg	9,000 Kg
624-10(*)	10"	1 1/8"	1"	1/2"	1"	2.5	8	15,000	30,000
	25.4 cm	41.3 mm	25.4 mm	12.7 mm	25.4 mm	1.1 Kg	3.6 Kg	6,800 Kg	13,600 Kg
624-12(*)	12"	2"	1 3/8"	3/4"	1 1/4"	7.0	21.9	20,000	40,000
	30.5 cm	51 mm	30.2 mm	19.1 mm	32 mm	3.2 Kg	9.9 Kg	9,000 Kg	18,000 Kg

\* Specify AL for Aluminum or BR for Bronze. 6" Sheaves available with bronze oilite or stainless needle bearing - see price page.

# Radial Drive Wheels



#777-6.5 shown



#800-8 shown



#802-10 shown



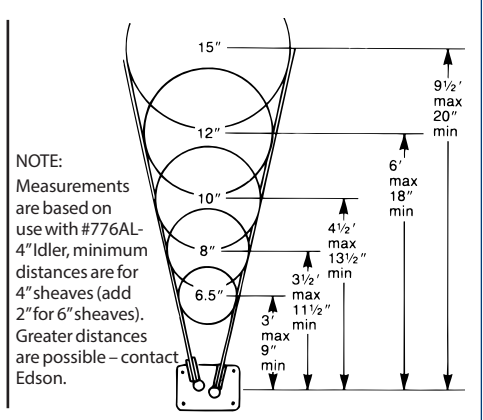
#804-8 shown

- Ideal for boats up to 55' (17m) with vertical rudderposts where cables can be led directly from the pedestal idler to the drive wheel.
- Three hub sizes to fit rudderposts from 1" (25mm) to 7" (178mm).
- Works well for boats with limited space beneath cockpit floor.
- Easy installation — split design clamps around rudderpost.
- Reduces sheave and steering friction.
- Heat Treated Anodized Aluminum Construction.
- Each Drive Wheel is Custom Bored to your exact specification.
- Must be secured with Key, Through Bolt or Set Screws.
- Rudderstop included on single groove radials
- Larger Custom sizes or rectangular bores available

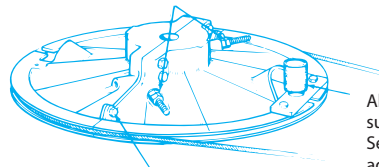
**NOTE: All Radial Wheels must be mechanically affixed to rudderpost. See Tech-Tip pg 25.**

## RADIAL DRIVE SPECIFICATIONS

Part No.	Size	A = Hub Thickness in (cm)	B = Offset or Dish in (cm)
777	6.5	1 1/4 (4.8)	1 1/4 (3.2)
	8	1 1/2 (4.1)	1 1/2 (4.1)
	10-15	2 1/4 (5.7)	1 1/2 (3.5)
800	8	1 1/2 (4.1)	1 1/2 (4.1)
	10-15	2 1/4 (5.7)	1 1/2 (3.5)
	802/804	8-10	2 (5.1)
	12-16	2 3/8 (6.1)	Flat



#777, 800 & 802 require two #618 Take-Up Eyes.  
#804 may require four #618 Take-Up Eyes.  
Place nuts on same side and tighten together.



All single groove Radial Drive Wheels are supplied with #862-2 Rudder Stop. See #862 on price page for replacement and additional sizes of rudderstops.

1/4"-20 S.S. bolts and nuts are supplied and must be installed.

**NEW!**  
Dual Groove Radial for Twin Wheel Boats



### Tech Tip

- 1) If pedestal is forward of the rudderpost, use the #776AL Idler and cross the cables inside the pedestal for proper steering direction.
- 2) Boats with high rudder loads require independent rudderpost stops.
- 3) Max. keyway size is the maximum keyway that can be used with the maximum bore.
- 4) Use #684 stainless keys only.
- 5) 1/4"-20 stainless bolts and nuts are supplied and must be installed in the holes supplied on the outside of the radius.
- 6) For additional Radial Drive installation instructions, see Edson Steering Installation Guide.

Replacement Stainless Rudder Stop - Order #862-2



Tether-Style Rudder Stop\* - Order #862-wire

\* Customer supplied wire.

## RADIAL DRIVE ORDERING GUIDE

Order #	Boat Size L.O.A. feet	Drive Wheel Radius in (cm)	Outside Diameter in (cm)	Pilot Bore in (cm)	Max Bore in (cm)	Max Size Keyway in (cm)	Weight lb (kg)
777-6.5	to 30	6.5 (16.5)	13 (33.0)	1 1/8 (2-3)	3 (7.6)	3/8 (.95)	6.5 (2.9)
777-8	to 35	8 (20.3)	16 (40.6)	1 1/8 (2.3)	2.5 (6.4)	3/8 (.95)	7.5 (3.4)
777-10	36-41	10 (25.4)	21 (53.3)	1.5 (3.8)	3 3/8 (8.6)	1/2 (1.3)	10.5 (4.7)
777-12	42-48	12 (30.5)	25 (63.5)	1.5 (3.6)	3 3/8 (8.6)	1/2 (1.3)	22 (10)
777-15	48-55	15 (38.1)	30 (76.2)	1.5 (3.8)	3 3/8 (8.6)	1/2 (1.3)	26 (11.8)
800-8	to 35	8 (20.3)	16 (40.6)	2.5 (6.4)	3.5 (8.9)	3/8 (.95)	8 (3.6)
800-10	36-41	10 (25.4)	21 (53.3)	3 3/8 (8.6)	4.5 (11.4)	1/2 (1.3)	13 (5.9)
800-12	42-48	12 (30.5)	25 (63.5)	3 3/8 (8.6)	4.5 (11.4)	1/2 (1.3)	23 (10.4)
800-15	48-55	15 (38.1)	30 (76.2)	3 3/8 (8.6)	4.5 (11.4)	1/2 (1.3)	27 (12.2)
802-8	to 35	8 (20.3)	17 (43.2)	3 3/8 (8.6)	6 (15.2)	3/8 (.95)	14 (6.4)
802-10	36-41	10 (25.4)	21 (53.3)	4 3/8 (11.1)	6 (15.2)	3/8 (.95)	16 (7.3)
802-12	42-48	12 (30.5)	25 (63.5)	4 3/8 (11.1)	7 (17.8)	3/8 (.95)	23.5 (10.7)
804-8	to 35	8 (20.3)	16.5 (42)	solid	4 (10.1)	3/8 (.95)	8 (3.6)
804-10	36-41	10 (25.4)	20.5 (52.1)	solid	4 (10.1)	3/8 (.95)	12 (5.4)
804-12	36-41	10 (25.4)	25 (63.5)	solid	7 (17.8)	1/2 (1.3)	20 (9)
804-14	42-48	12 (30.5)	29 (73.6)	solid	7 (17.8)	1/2 (1.3)	34 (15.4)
804-16	36-41	10 (25.4)	33 (83.8)	solid	7 (17.8)	1/2 (1.3)	40 (18)

NOTE: Selection Guide is to be used with specific recommendations approved by your naval architect.



## Standard Quadrants

Edson's Standard Quadrants are cast Manganese Bronze or 356-T6 heat-treated Aluminum. Available in 8" through 36" radius sizes, the Edson Quadrant is effective whether mounted fore or aft of the rudderpost. The quadrants are machined to accept #618 Take-Up Eyes, making installation and adjustment of steering cables easy. All bearing surfaces are machined, a positive fit is assured by the Edson Capped Hub, and the clamping action allows installation without having to remove the rudder.

NOTE: All Quadrants must be mechanically affixed to rudderpost. See Tech-Tip pg 25.

### Edson's Standard Quadrants

Cast in Manganese Bronze or weight-saving Aluminum, in 18" and 24" radiuses, these quadrants are substantially proportioned to withstand the most severe steering strains and shocks. The #676 Quadrants are available to fit rudder posts up to 3½"(8.9 cm) in diameter.

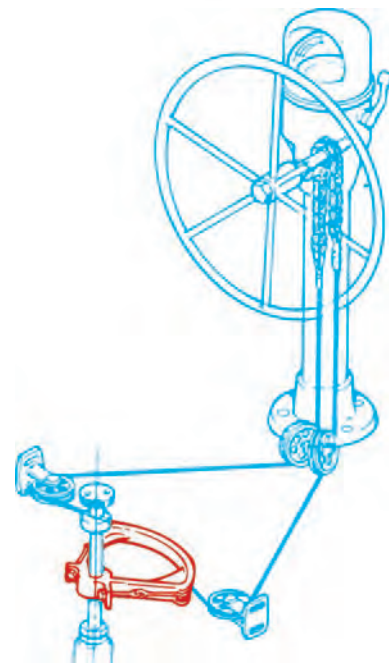
Order #676, Specify Bore and Key (see Ordering Guide).

#### STANDARD QUADRANT ORDERING GUIDE

Order #	Material	Boat Size L.O.A.	Quadrant Radius in (cm)	Hub Height in (cm)	Pilot Bore Dia in (cm)	Max Bore Dia in (cm)	Max Keyway in (cm)	Weight lbs (kg)
676BR-8	Bronze	up to 35'	8 (20.3)	1½ (4.0)	1 (2.54)	3½ (8.9)	½ (1.3)	12 (5.4)
676BR-10	Bronze	35-45	10 (25.4)	1½ (4.0)	1 (2.54)	3½ (8.9)	½ (1.3)	13 (5.9)
676BR-12	Bronze	40-50	12 (30.5)	1½ (4.0)	1 (2.54)	3½ (8.9)	½ (1.3)	15 (6.8)
676BR-14	Bronze	45-55	14 (35.6)	1½ (4.0)	1 (2.54)	3½ (8.9)	½ (1.3)	17 (7.7)
676BR-16	Bronze	50-60	16 (40.6)	2½ (6.4)	1 (2.54)	3½ (8.9)	½ (1.3)	36 (16.3)
676BR-18	Bronze	55-65	18 (45.7)	2½ (6.4)	1 (2.54)	3½ (8.9)	½ (1.3)	36 (16.3)
676AL-18	Aluminum	55-65	18 (45.7)	2½ (6.4)	1 (2.54)	3½ (8.9)	½ (1.3)	15 (6.8)
676BR-20	Bronze	60-70	20 (50.8)	2½ (6.4)	1 (2.54)	3½ (8.9)	½ (1.3)	40 (18.1)
676BR-24	Bronze	70-90	24 (61.0)	2½ (6.4)	1 (2.54)	3½ (8.9)	½ (1.3)	46 (20.9)
676AL-24	Aluminum	70-90	24 (61.0)	2½ (6.4)	1 (2.54)	3½ (8.9)	½ (1.3)	19 (8.6)



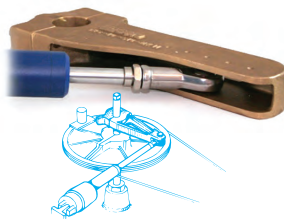
Standard Quadrant #676BR



### Important!

Edson highly recommends installing an autopilot independent of the primary steering system. This provides for a redundant/backup system in the event of steering gear or cable failure - in effect an "Electronic Emergency Tiller". Edson's Autopilot Tiller Arm allows the autopilot to be mounted independently of the primary steering system and should be used to attach an autopilot to the rudderpost.

IN NO CASE SHOULD THE AUTOPILOT BE ATTACHED DIRECTLY TO THE QUADRANT OR RADIAL DRIVE WHEEL!



See Pg 28-29 for Autopilot Tiller Arms

### Edson's Extra Large Bore Quadrants

Designed for boats with larger-diameter rudderposts. Cast in both weight-saving Aluminum and Manganese Bronze with strengthening webs through the center section of the quadrant, these quadrants handle rudderposts from 3½"(8.9 cm) to 6"(15.2 cm) in diameter.

Order #835, Specify Material, Bore and Key (see Selection Guide).

#### EXTRA EXTRA LARGE BORE QUADRANT ORDERING GUIDE

Order #	Material	Boat Size L.O.A.	Quadrant Radius in (cm)	Hub Height in (cm)	Pilot Bore Dia in (cm)	Max Bore Dia in (cm)	Max Keyway in (cm)	Weight lbs (kg)
835BR-14	Bronze	45-55	14 (35.6)	2½ (6.4)	3½ (8.9)	5 (12.7)	½ (1.3)	25 (11.3)
835AL-14	Aluminum	45-55	14 (35.6)	2½ (6.4)	3½ (8.9)	5 (12.7)	½ (1.3)	12 (5.4)
835BR-16	Bronze	50-60	16 (40.6)	2½ (6.4)	3½ (8.9)	5 (12.7)	½ (1.3)	28 (12.7)
835BR-18	Bronze	55-65	18 (45.7)	2½ (6.4)	3½ (8.9)	5 (12.7)	½ (1.3)	35 (15.8)
835AL-18	Aluminum	55-65	18 (45.7)	2½ (6.4)	3½ (8.9)	5 (12.7)	½ (1.3)	17 (7.7)
835BR-20	Bronze	60-75	20 (50.8)	2½ (6.4)	3½ (8.9)	5 (12.7)	½ (1.3)	40 (18.1)
835BR-24	Bronze	70-90	24 (61)	2½ (6.4)	3½ (8.9)	5 (12.7)	½ (1.3)	49 (22.2)
835AL-24	Aluminum	70-90	24 (61)	2½ (6.4)	3½ (8.9)	5 (12.7)	½ (1.3)	21 (9.5)
835AL-30	Aluminum	80-100	30 (76.2)	3¾ (9.5)	3½ (8.9)	6 (15.2)	½ (1.3)	56 (25.4)
835AL-36	Aluminum	90-120	36 (91.4)	3¾ (9.5)	3½ (8.9)	6 (15.2)	½ (1.3)	73 (33.1)



Extra Large Bore Quadrant #835BR

Custom quadrants in Aluminum and Bronze available.

## Offset Quadrants

Ideal for boats needing extra room on the rudderpost for the addition of an autopilot, a second steering station, or where an obstruction exists. In boats with excessively raked rudderposts, Offset Quadrants can be mounted up or down. The capped hub insures a positive fit and the clamping action permits installation without having to lower the rudder. NOTE: All Quadrants must be mechanically affixed to rudderpost. See Tech-Tip below.

### Aluminum Offset Quadrant

Designed and cast for strength and versatility. In 10" and 14" radius sizes, it is cast of 356-T6 Black Anodized Aluminum and with strengthening webs. It is manufactured to be used with Stainless or Aluminum rudderposts and must be equipped with #684 Stainless Key Stock or pins when attaching to the rudderpost. Not to be used on Bronze rudderposts. Order #842 (see Ordering Guide)



### OFFSET QUADRANT ORDERING GUIDE

Order #	Material	Boat Size L.O.A.	Quadrant Radius in (cm)	Hub Height in (cm)	Pilot Bore Dia in (cm)	Max Bore Dia in (cm)	Max Size Keyway in (cm)	Weight lbs (kg)
842-10	Aluminum	32 to 36	10 (25.4)	2 (5.1)	1 5/8 (2.4)	3 (7.6)	1/2 (1.3)	6.4 (2.9)
842-14	Aluminum	36 to 51	14 (35.6)	2 (5.1)	1 5/8 (2.4)	3 (7.6)	1/2 (1.3)	8.1 (3.7)

Note: When specifying a square bore in a quadrant, please note that the maximum bore dimension is 1/2" (1.3 cm) smaller.

## Stainless Key Stock

Edson's Stainless Key Stock is recommended for use when attaching the quadrant to the rudderpost.

Order # 684 (See Ordering Guide)



### STAINLESS KEY STOCK ORDERING GUIDE

Order #	Size in (mm)	Length in (mm)	Rudderpost Diameter in (mm)	Weight oz (g)
684-250	1/4 x 1/4 (6.35 x 6.35)	6 (152.4)	1-1 1/4 (2.54-3.18)	1.7 (47.6)
684-250W	1/4 x 1/4 (6.35 x 6.35)	1.5 (38)	For Use on Straight Wheelshaft	1.0 (28)
684-187W	3/16 (4.8) #9	woodruff key	For Use on Tapered Wheelshaft	1.0 (28)
684-375	3/8 x 3/8 (9.52 x 9.52)	6 (152.4)	1 3/8 - 2 1/4 (3.49-5.71)	3.8 (106.4)
684-500	1/2 x 1/2 (12.7 x 12.7)	6 (152.4)	2 1/2 and up (5.71 and up)	6.7 (187.6)



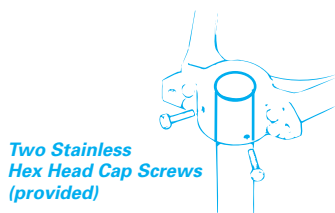
### Tech Tip

#### Installing Quadrants, Radial Drive Wheels & Tiller Arms

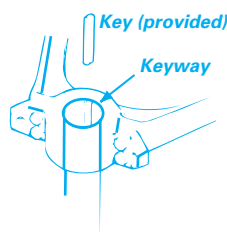
Quadrant, Drive Wheels and Tiller Arms must be positively secured on the rudderpost in addition to Edson's tight clamping tolerance. This can be done by:

- 1) Securing the quadrant to a solid rudderpost stock by cutting a keyway in the rudderpost and in the quadrant.
- 2) Through-pinning the quadrant to a hollow rudderpost. Edson will provide a predrilled quadrant cap and a 3/8" (1 cm) stainless pin for 8" through 15" quadrants or a 1/2" (1.3 cm) stainless pin for 16" through 20" quadrants.
- 3) Securing with set screws by drilling and tapping into the quadrant cap and the rudderpost (be it solid or hollow). Please Specify the method of securing when ordering.

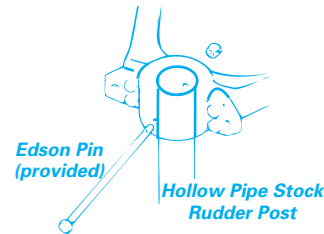
#### Set Screws



#### Key / Keyway (Preferred Method)



#### Through-Pin



### Important!

Please supply an accurate dimension of your rudderpost or the bore along with the key size and Edson will machine the quadrant to suit. Edson allows a .005" (.13 mm) to .006" (.15 mm) clamping action of the cap to the rudderpost. The quadrant must be carefully fitted for optimum strength; if fitted too tightly the cap could bend when tightened, and if fitted too loosely the quadrant could work loose or drop.

Either could cause premature failure. Quadrants for square rudderposts require special machining and exact measurement of the flats of the square and the location of the points of the square must be provided. For special machining requirements see #946 on the Price Page.

# Pull-Pull Steering Components

Edson Pull-Pull Conduit Systems are designed to provide the ability to run steering cables around spaces or structures that otherwise might be difficult or impossible with straight wire runs from sheave to sheave. Pull-Pull System components have been engineered to allow you to use stock parts that will result in a strong, reliable and sensitive steering system. However, you must carefully follow the guidelines at the right to insure a system that is free of friction. Boats over 60' (18 m) should use the larger size 312 Conduit and Fittings.

## Pull-Pull Steering System Design Guidelines:

- Conduit should have no 90° bends—however gentle—on boats over 30', as it will make the steering stiff.
- Use Edson Conduit Idlers whenever possible when conduit needs to make a turn.
- Conduit should be utilized only to make slight elevation changes and gentle bends.
- Conduit Greasers should be used on all runs over 6' (2 m).
- Lubricate monthly with Teflon™ based lubricant only.

## Pull-Pull Conduit and Fittings

Edson's Pull-Pull Conduit is available in one foot increments. The conduit can easily be cut with a hacksaw. Specify length in feet when ordering.

3/4" (19mm) OD Conduit for 3/16" & 1/4" wire rope – Order #853-250

Wt. 5.5 oz/ft

7/8" (22mm) OD Conduit for 5/16" wire rope – Order #853-312

Wt. 9 oz/ft

Edson's Pull-Pull Conduit Assemblies include specified length of Conduit and two End Fittings. They are cut to length and assembled at the Edson Factory. Two lengths are needed in most steering system installations. The length should be measured from end-to-end including 2 1/2" (64mm) for each end fitting.

Conduit Assembly with 3/4" Conduit – Order #797

Specify length – See Price Sheet.

Edson's Conduit End Fittings. Two fittings are required for each length of conduit. #854-250 fittings are molded in white Celcon™ #854-312 fittings are black anodized, machined Aluminum. Both have end fitting thread size of 7/8"-9. Comes with one Hose Clamp and one Jam Nut.

Conduit End Fittings for 3/4" Conduit – Order #854-250

Wt. 2 oz

Conduit End Fittings for 7/8" Conduit – Order #854-312

Wt. 4 oz



Conduit  
#853

End Fitting  
#854

Sold together as  
#797 Conduit Assembly

## Pull-Pull Conduit Idlers

Edson's Flat Conduit Idler is similar to the #881 Upright Idler, but is designed to mount on a flat surface. Constructed of anodized Aluminum sheaves and a Brass housing.

4" Flat Conduit Idler – Order #847BR-4AL

Wt. 2 lb (.9kg)

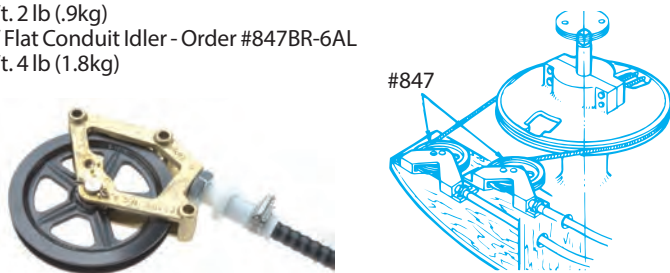
6" Flat Conduit Idler - Order #847BR-6AL

Wt. 4 lb (1.8kg)

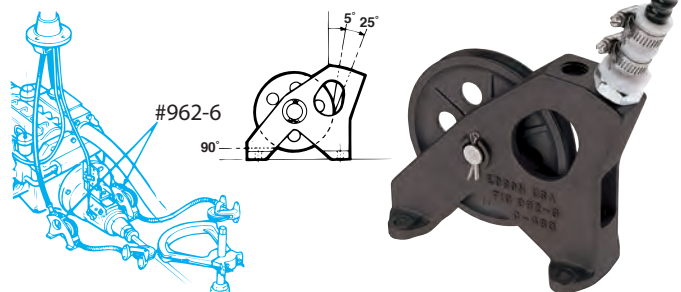
Edson's In-Out Conduit Idler is designed to increase the efficiency and sensitivity of a Pull-Pull Conduit System. Engineered with 6" sheaves and three holes to accept Edson's Conduit End Fittings, the idler makes wire alignment with the sheave automatic. It is recommended that these idlers be used at major load points in engine compartments to allow the steering cable to run over a sheave when being routed aft. Required on center cockpit pull-pull systems over 39' (12 m).

6" In-Out Conduit Idler - Order #962-6AL

Wt. 3.5 lb/1.6 kg



#847

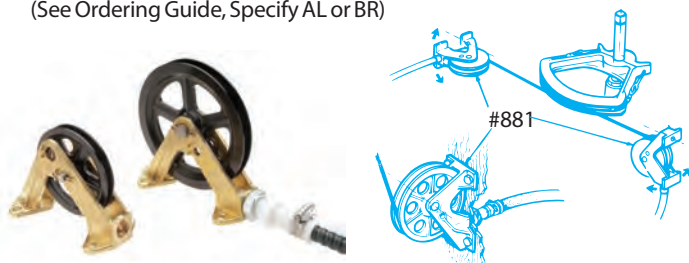


#962-6

Edson's Upright Conduit Idlers allow you to turn steering cable around a sheave rather than through the conduit, reducing wear and friction. Upright Conduit Idlers are an absolute must on boats over 39' (12m). Available in cast and machined Aluminum or Bronze in five sizes.

Upright Conduit Idlers – Order #881

(See Ordering Guide, Specify AL or BR)



#881

## UPRIGHT CONDUIT IDLER ORDERING GUIDE

Order #	Sheave Dia. in (cm)	Max Wire Size in (mm)	Total Weight lbs. (kg)	
			Aluminum	Bronze
881BR-4AL	4" (10.2)	1/8" (7 mm)	n/a	2 lbs (.9 kg)
881BR-6AL	6" (15.2)	3/8" (10 mm)	n/a	4 lbs (1.8 kg)
881(*)-8(*)NB	8" (20.3)	1/2" (13 mm)	7 lbs (3.2 kg)	13 lbs (5.9 kg)
881(*)-10(*)NB	10" (25.4)	5/8" (13 mm)	11 lbs (5.0 kg)	21 lbs (9.5 kg)
881(*)-12(*)NB	12" (30.5)	3/4" (19 mm)	17 lbs (7.7 kg)	36 lbs (16.3 kg)

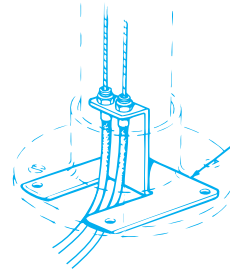
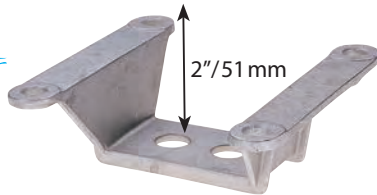
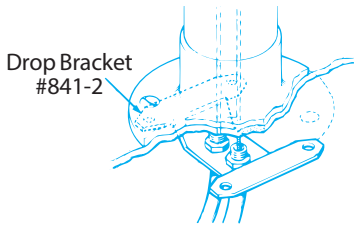
\* Specify AL for Aluminum or BR for Bronze.

6" Sheave available with bronze oilite or stainless needle bearing - see price page.

## Pull-Pull Conduit Brackets

Edson's Drop Conduit Bracket drops the conduit ends 2" (51mm) below the cockpit floor (more if blocked down). This makes it easier to feed wires into the conduit and allows for easier lubrication and maintenance of the conduit system. It is held in place by the pedestal mounting bolts. Aluminum construction.  
Drop Conduit Bracket - Order #841-2

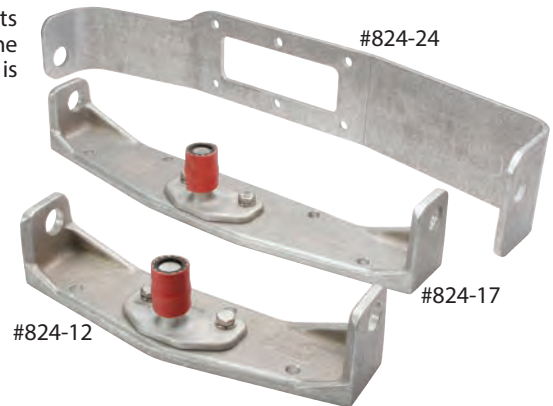
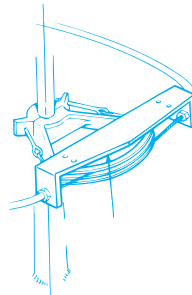
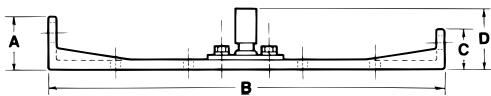
Edson's Internal Conduit Bracket mounts inside the pedestal column, allowing the conduit to hug the bottom of the cockpit floor. For ease of installation and maintenance, it is held in position by the pedestal mounting bolts. Aluminum construction.  
Internal Conduit Bracket - Order #868-2



Edson's Pull-Pull Conduit Bracket with Rudderstop is ideal for terminating the conduits at the quadrant when there are no bulkheads to utilize. It is easily bolted through the cockpit sole and comes with its own rudderstop post. 24" Transom mount version is used with Edson's Small Boat Steerer or other transom-hung rudder designs.  
12"/30 cm Conduit Bracket with Rudderstop – Order #824-12 Wt. 2.75 lb (1.2 kg)  
17"/43 cm Conduit Bracket with Rudderstop – Order #824-17 Wt. 3.3lb (1.5 kg)  
24"/61 cm Transom Mount Conduit Bracket – Order #824-24 Wt. 2.5lb (1.1 kg)

### CONDUIT BRACKET DIMENSION GUIDE

Order #	A	B	C	D
824-12	3" (76mm)	12" (305mm)	2½" (64mm)	2¾" (67mm)
824-17	3" (76mm)	17" (432mm)	1¾" (64mm)	2¾" (67mm)
824-24	5" (127mm)	24" (610mm)	4" (102mm)	N/A



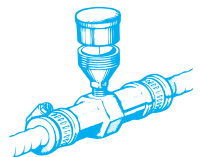
Edson's Right Angle Bracket, mounted below a bulkhead steerer, provides an easy anchoring point for both conduit end fittings.  
Right Angle Conduit Bracket - Order #799-2



## Pull-Pull Accessories

Edson's Conduit Lubricant is a Teflon® grease for use in all Edson Systems. Ideal for both conduit and needle bearing use.  
14 oz. Cartridge – Order #827-14  
3 oz. Tube – Order #827-3  
1/2oz. tube (not shown) - Order #827-.50

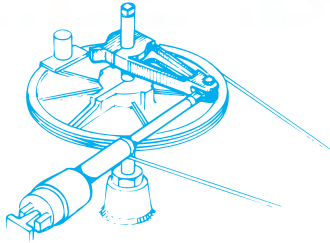
Edson's In-Line Conduit Greasers are a simple, efficient way to lubricate your conduit. One should be installed in an accessible area of straight conduit as close to the middle of each run as possible - preferably every 3'-5' where serviceable. Comes complete with two clamps and grease cup. Two sizes match Edson Conduit; #918-250 is molded white Celcon™, #918-312 is Black Anodized Aluminum.  
In-Line Greaser for #853-250 Conduit – Order #918-250C Wt. 4oz (112g).  
In-Line Greaser for # 853-312 Conduit – Order #918-312 Wt. 7.5oz (121g).



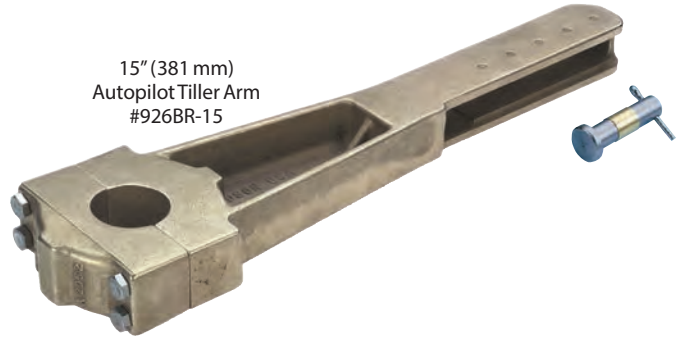
Edson's Bronze Conduit Fairleads placed at regular intervals, secure the conduit and make a neat, clean installation.  
Fairlead for #853-250 Conduit – Order #904-250  
Fairlead for #853-312 Conduit – Order #904-312

# Autopilot Tiller Arm Adapters

## Bronze Tiller Arms



10" (254 mm)  
Autopilot Tiller Arm  
#926BR-10



15" (381 mm)  
Autopilot Tiller Arm  
#926BR-15

- Specifically designed for use with linear drive autopilot systems.
- Keeps Autopilot independent of Steering System.
- Makes Autopilot an "Electronic Emergency Tiller"
- Available in 10" (254 mm) and 15" (381 mm) lengths for use with most of the autopilots on the market today.
- 1" (25 mm) wide slot to accept ball end fitted with 1/2" or 12 mm diameter pins.
- Accommodates rudderposts to 5" (127cm).
- Custom pin sizes are available upon request.
- Constructed of Manganese Bronze or Anodized Aluminum.
- Variable attachment points to allow for proper positioning of the attachment point of the autopilot.

### NOTE!

Edson Tiller Arms are now available in Bronze or Anodized Aluminum. Bronze - used for cruising boats and boats with stainless or bronze rudderposts. Aluminum - used for racing boats or boats with Aluminum or composite rudderposts. See ordering guide for available sizes and materials.



### Important!

Edson highly recommends installing an autopilot independent of the primary steering system. This provides for a redundant/back-up system in the event of steering gear or cable failure—in effect an "Electronic Emergency Tiller". Edson's Autopilot Tiller Arm allows the autopilot to be mounted independently of the primary steering system and should be used to attach an autopilot to the rudderpost.

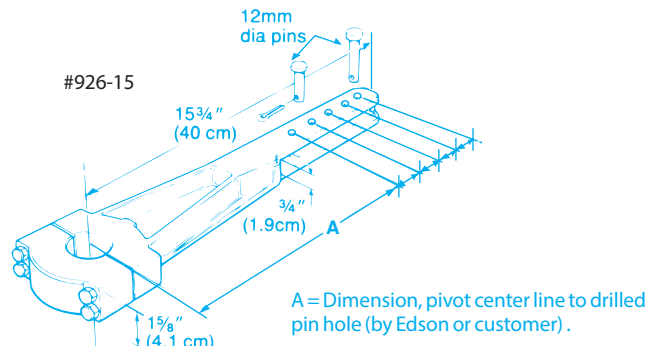
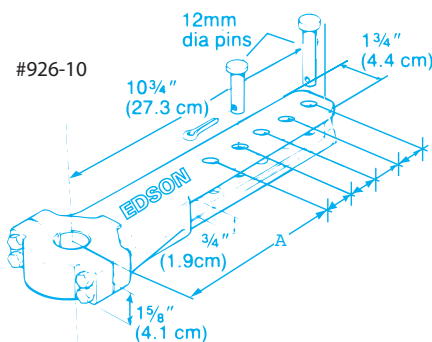
**IN NO CASE SHOULD THE AUTOPILOT BE ATTACHED DIRECTLY TO THE QUADRANT OR RADIAL DRIVE WHEEL!**

### BRONZE TILLER ARM ORDERING GUIDE

ORDER#	Tiller Arm Length		Pilot Bore		Max Bore		Max Keyway		Weight	
	inches	mm	inches	cm	inches	cm	inches	cm	lbs	kg
926BR-10-610-MKII	10	254	7/8	2.2	3 1/4	8.3	1/2	1.3	10.5	4.8
926BR-10-14-MKII	10	254	3/4	8.3	5	12.7	5/8	1.6	14	6.4
926BR-15-610	15	381	7/8	2.2	3 1/4	8.3	1/2	1.3	15	6.8
926BR-15-14	15	381	3/4	8.3	5	12.7	5/8	1.6	19	8.6
926BR-15-57	15	381	5	12.7	7	17.8	5/8	1.6	29	13

NOTE: Pilot Bore of "0" = solid casting - no pre-cast hole.

## Autopilot Tiller Arm Dimensions



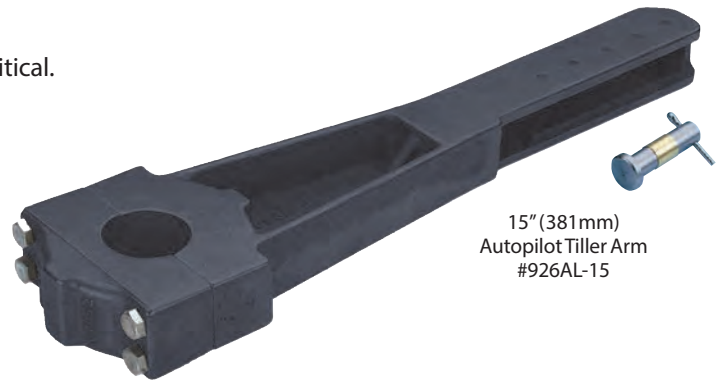
A = Dimension, pivot center line to drilled pin hole (by Edson or customer).

## Aluminum Tiller Arms

- Designed for racing boats where weight savings is critical.
- Solid Cast Aluminum Construction
- Black Anodized for durability
- For rudderposts up to 7" (175mm) in diameter.



10" (254 mm)  
Autopilot Tiller Arm  
#926AL-10



15" (381 mm)  
Autopilot Tiller Arm  
#926AL-15

### ALUMINUM TILLER ARM ORDERING GUIDE

ORDER #	Tiller Arm Length		Pilot Bore		Max Bore		Max Keyway		Weight Each	
	inches	mm	inches	cm	inches	cm	inches	cm	lbs	kg
926AL-10-610-MKII	10	254	0	0	3/4	8.3	1/2	1.3	4.2	1.9
926AL-10-14-MKII	10	254	3/4	8.3	5	12.7	5/8	1.6	5.6	2.5
926AL-15-610	15	381	0	0	3/4	8.3	1/2	1.3	6	2.7
926AL-15-14	15	381	3/4	8.3	5	12.7	5/8	1.6	7.6	3.4
926AL-15-57	15	381	5	12.5	7	17.5	3/4	1	13	5.9

NOTE: Pilot Bore of "0" = solid casting - no pre-bored hole.



### GO TO

See Tech Tip on page 25 for information on securing Tiller Arm to Rudder shaft and request Engineering Bulletin #373-97-2 "Tiller Arm Worksheet".

## Autopilot Tiller Arms for J-Boats



Because of their unique rudderpost shape, J-Boats require a specially shaped tiller arm. It is designed to clamp onto the fiberglass rudderpost directly above the Radial Drive Wheel. For J-Boats from 35' to 53'. Wt. 5.8 lbs (2.6 kg).

Autopilot Tiller Arm for J-37, J-40, J-42, J-44, J-46, J-105, J-120, & J-130 - Order #836AL-J-12  
Autopilot Tiller Arm for J-160 - Order #836AL-J-160

Tiller Arms are available for all J-Boats. Use #926AL if your boat is not listed. Contact Edson for more information if yours is not shown.



J-Boat Autopilot Tiller Arm  
#836AL-J-12

## Tiller Arm Installation Information

### NOTE!

When Ordering Specify:

- Rudderpost Diameter
- Keyway size and location
- If a thru-bolt will be used instead of a key
- For additional installation information, please request Engineering Bulletin EB-97-373.

### CHART TO DETERMINE AUTOPILOT ATTACHMENT POINT ON TILLER ARM

Ram travel	Distance from CL Rudderpost to CL Autopilot Attachment			Ram travel	Distance from CL Rudderpost to CL Autopilot Attachment		
	70° of rudder travel	80° of rudder travel	90° of rudder travel		70° of rudder travel	80° of rudder travel	90° of rudder travel
7" (17.8 cm)	6 1/8" (15.4 cm)	5 7/8" (13.8 cm)	5" (12.7 cm)	12" (30.5 cm)	10 1/2" (26.7 cm)	9 3/8" (23.8 cm)	8 1/2" (21.6 cm)
8" (20.3 cm)	7" (17.8 cm)	6 1/4" (15.9 cm)	5 5/8" (14.3 cm)	13" (33.0 cm)	11 1/2" (29.2 cm)	10 5/8" (25.7 cm)	9 5/8" (24.9 cm)
9" (22.9 cm)	7 7/8" (20.0 cm)	7" (17.8 cm)	6 3/8" (16.2 cm)	14" (35.6 cm)	12 1/2" (30.8 cm)	10 7/8" (27.6 cm)	10" (25.4 cm)
10" (25.4 cm)	8 3/8" (22.2 cm)	7 13/16" (19.8 cm)	7 1/8" (18.1 cm)	15" (38.1 cm)	13 3/8" (33.2 cm)	11 11/16" (29.7 cm)	10" (25.4 cm)
11" (27.9 cm)	9 5/8" (24.4 cm)	8 5/8" (21.9 cm)	7 7/8" (20.0 cm)	16" (40.6 cm)	14" (35.6 cm)	12 1/2" (31.8 cm)	11 1/4" (28.6 cm)

NOTE: Attachment point will ultimately be determined by the torque output of your autopilot versus your boat's rudder loads. Refer to your autopilot manufacturer's installation instructions for mounting distance of the autopilot drive arm along the tiller arm. Your autopilot must not be used as the rudderpost stop.

## Aluminum Drag Links

Edson Drag Links are the perfect solution for twin helm and twin rudder configurations. Turnbuckle-style adjustment and locking nuts provide a secure, custom fit.

- Precision cut and machined from lightweight hexagonal Aluminum 6061 extrusion.
- Aircraft grade anodized alloy end fittings
- Self aligning to 20 degrees at each end
- Custom cut to fit - order eye to eye length
- Max length 72"

Aluminum Drag Link - Order #617CDI (Specify length eye-to-eye - see price page).



## Transom Hung Rudder System for Small Boats

Edson's Transom Hung Rudder Steering System is a versatile design for many boats up to 27' with transom hung rudders. The system features Edson's unique Transom Conduit Bracket which anchors the conduit, incorporates the rudder stops and mounts directly to the boat transom as one unit. The system utilizes Edson's #336 pedestal so it can accept Edson's full line of accessories such as Engine Controls, Wheel Brakes, Tables and Drink Holders. Steering cables lead to port and starboard. Approximately 1 turn hardover to hardover through 72° of rudder travel. Max. wheel size 24".  
Transom Hung Rudder Steering System - Order #332-C250

### Transom Hung Rudder Steering System Includes:

Qty	Order #	Description
1	336-5-211T	Pedestal
1	775-2S15B13	Chain and Wire Rope Assy.
1	868-2	Internal Conduit Bracket
1	329-48	Tiller Arm Assembly
2	797-6	Pull-Pull Conduit Assy.
4	646-4HEX	Pedestal Mounting Bolts
2	618-0-250	Take Up Eyes
4	665ST-187	Wire Rope Clamps
1	960-B-645	Rudder Stop Plate
1	960-A-2087	Take Up Eye Pivot Pin
1	824-24	Transom Conduit Bracket Assembly
1	960-B-444	Transom Face Plate
1	960-B-446	Transom Boot

To complete your Steering System, add your choice of Edson Steering Wheel (24" maximum) and Accessories.

Straight Wheel Shafts are still available on special order. Contact Edson Customer Service.



The Catalina 250 is available with an optional Edson Transom Hung Rudder Steering System.

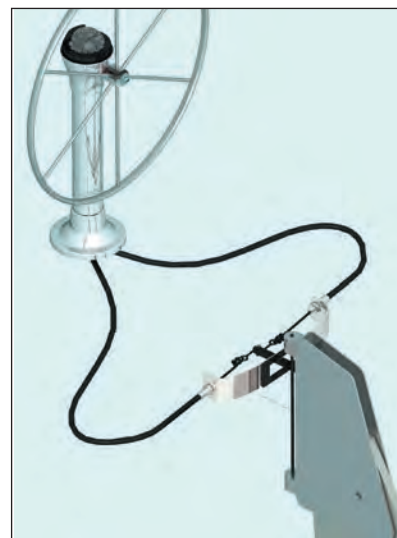


Photo courtesy of Catalina Yachts

Ideal for Boats  
with Transom Hung  
Rudders up to  
27'/8.5m!

## Steering System Chain Sprockets

### Single Hub Sprockets

When space is limited, use these non-magnetic Brass and Bronze sprockets with hubs on one side. These sprockets accept American Standard Roller Chains (Edson #630). Specify set screws or drive pin when ordering.



Single Hub Sprocket  
#636

#### SINGLE HUB SPROCKET ORDERING INFO

Order #	Description
636-2-11*	11 Tooth Sprocket for 5/8" #50 chain
636-2-15	15 Tooth Sprocket for 5/8" #50 chain
636-3-13	13 Tooth Sprocket for 3/4" #60 chain

\*IMPORTANT: Specify BR for bronze or ST for Stainless (size 2-11 only)

### Double Hub Sprockets

Use these double hub sprockets when space will allow; their extra length will spread the load. They are the same as the single hub sprockets but have a hub on both sides of the sprocket teeth with one side knurled for a brake. The Double Hub Sprocket is the standard sprocket used in Edson Pedestals. Use Bronze for side-mount brakes, Stainless for thru-shaft brakes.



Stainless Double-Hub Sprocket  
#855ST-2-11  
(For Thru-Shaft Brake Steerers -  
#336, #402, #408)



Bronze Double-Hub Sprocket  
#855BR  
(For Side-Mount Brake Steerers -  
#335, #400, #410)

#### DOUBLE HUB SPROCKET ORDERING INFO

Order #	Description
855-2-11*	11 Tooth Sprocket for 5/8" #50 chain
855-2-13	13 Tooth Sprocket for 5/8" #50 chain
855-2-15	15 Tooth Sprocket for 5/8" #50 chain
855-2-17	17 Tooth Sprocket for 5/8" #50 chain
855-2-21	21 Tooth Sprocket for 5/8" #50 chain
855-3-10	10 Tooth Sprocket for 3/4" #60 chain
855-3-13	13 Tooth Sprocket for 3/4" #60 chain
855-3-15	15 Tooth Sprocket for 3/4" #60 chain
855-3-17	17 Tooth Sprocket for 3/4" #60 chain
855-4-10	10 Tooth Sprocket for 1" #80 chain

\*IMPORTANT: Specify BR for bronze or ST for Stainless (size 2-11 only).

## Edson Pedestal Maintenance & Spares Kits



**Pedestal Maintenance Kit**  
Includes the parts needed for basic routine maintenance to keep your Pedestal running smoothly.  
Includes:  
Snap Rings (2)  
Shaft Keys (2)  
Shaft Washer  
Teflon Grease  
Threadlock  
Pedestal Maintenance Guide  
Order #312-335-400



**Pedestal Rebuild Kit**  
Bring new life to your older #335 Edson Pedestal with this complete Rebuild Kit.  
Includes:  
Needle Bearings (2)  
Snap Rings (2)  
Shaft Keys (3)  
Shaft Washer  
Drive Pin  
Nylon Washers (2)  
O-Ring  
Teflon Grease  
Threadlock  
Pedestal Maintenance Guide  
Order #314-335



**CD-i Geared Steering Pedestal Maintenance Kit**  
The ideal onboard maintenance & spares kit for any Edson CDi Geared Steering System.  
Includes:  
1- Right Hand Rod End with Nut  
1- Left Hand Rod End with Nut  
1- Wheel Shaft Key  
1- SS Shaft Washer  
1- SS Snap Ring  
1- .5oz. Superlube Teflon Grease  
Maintenance Instructions  
Order #312-CDi



**Brake Maintenance Kit**  
Just like your car, your boat's wheel brake needs periodic relining. This kit includes all you need to make your brake work like new again.  
Includes:  
Bronze Brake Legs with Brake Pads (2)  
Cotter Pin  
Stainless Washer  
Nylon Bushing  
Removal & Installation Instructions  
Order #316-689  
PLEASE NOTE: This kit is for Edson's side-mount wheel brakes only — not for thru-shaft wheel brakes.



**Edson's White Touch-up Paint**  
Custom formulated to match Edson's white baked-on urethane powder coating finish. Ideal for small nicks and scratches in your Pedestal, Engine Control or other white powder-coated aluminum parts.  
Includes 2 bottles per package.  
Pre-2011 Pedestals - Order #333-1  
2011 and Newer - Order #333-2

14 oz Lubricant  
# 827-14



3 oz Lubricant  
# 827-3

Superlube® is a Teflon® grease for use in all Edson Systems. Ideal for both conduit and needle bearing use.  
14 oz. Cartridge – Order #827-14  
3 oz. Tube – Order #827-3  
1/2oz. tube (not shown) - Order #827-.50



**Thru-Shaft Brake Rebuild Kit**  
Replacement Brake Pad, Shaft and Snap Ring for Edson #336 and #402 Pedestals with Thru-Shaft Brakes. Knob not included—please contact Edson customer service for proper replacement knob/shaft combo for your boat.  
Order #316-336-402-TSB



**Tef-Gel™ Corrosion Inhibitor**  
We recommend Tef-Gel on Compass Bolts or anywhere stainless bolts are installed in aluminum to reduce corrosion caused by dissimilar metals.  
3cc tube.  
Order #2470



# Pedestal Guards & Accessories

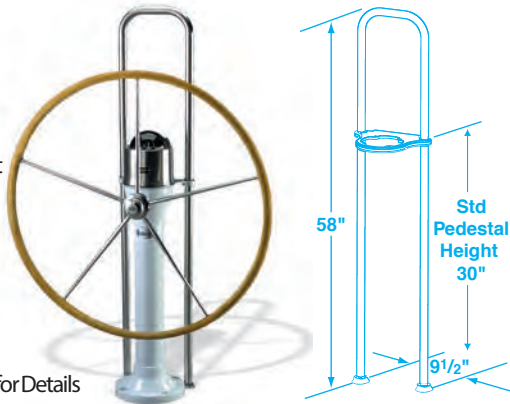
Edson's Pedestal Guards are designed to protect your compass and to provide a firm handhold for your crew. The Guard is narrow enough for crew members to slide by and it affords extra protection on those boats with a mainsheet traveler just forward of the pedestal.

- Marine-Grade Stainless Construction
- Provides the ability to mount convenience items such as Cockpit Tables, Drink Holders, Chart Board, Instrument Housings, etc.
- All Edson Guard Kits come complete with Stainless Guard Tube, Stainless Top Plate and Stainless Guard Feet.
- Three versions to accommodate various instrument and housing combinations.
- Extra Large 1 1/2" Diameter Tubing on 9 1/2" (24.1 cm) wide centers gives more space for instrument wiring.

## 58" Straight Guard

Provides protection for your compass, a convenient handhold and the ability to mount Instrument Housings, Radar Pods or multiple displays while increasing their visibility.

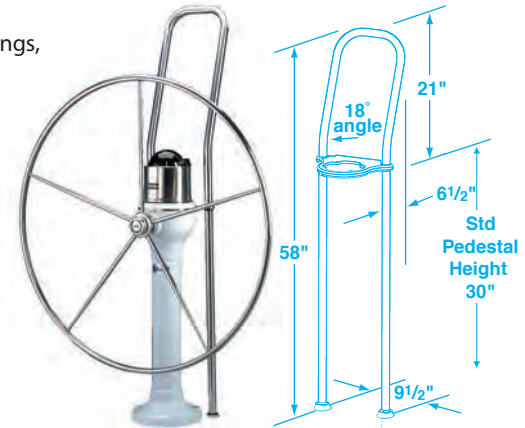
Order #1600  
See Ordering Guide for Details



## 58" Angled Guard

Gives you extra room to install Instrument Housings, Radar Pods or multiple displays while the new angle increases their visibility.

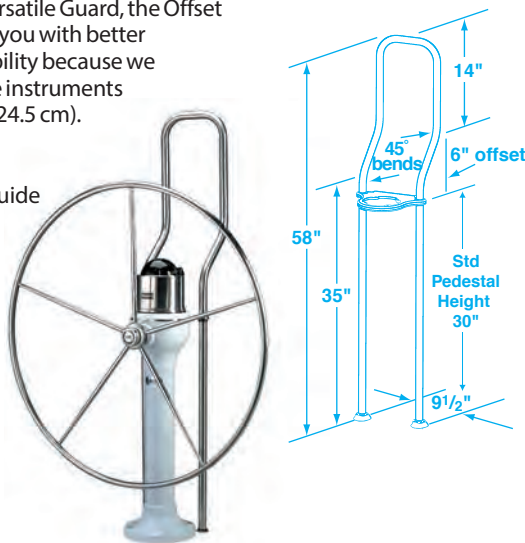
Order #1620  
See Ordering Guide for Details



## 58" Offset Guard

Edson's most versatile Guard, the Offset Guard provides you with better instrument visibility because we have moved the instruments forward by 7" (124.5 cm).

Order #1610  
See Ordering Guide for Details



## Replacement Stainless Top Plates and Guard Feet



Stainless Top Plate

Included with all Pedestal Guard Kits, Edson's Stainless Top Plate is made of Investment-cast 316 Stainless and polished to a mirror finish. It will accommodate 1", 1-1/8" and 1-1/4" pedestal guard tubing on 9-1/2" centers with the provided plastic bushings. These also provide rattle-free isolation between the stainless tubes and top plate, making removal in the future easier. It can be ordered separately, so you can upgrade your older pedestal with the white aluminum version.

Stainless Top Plate Only  
For 335 & 336 Pedestals - Order #1625ST-5  
For #400, 402 & 464 Pedestals - Order #1625ST-6



Stainless Guard Feet Kit - Order #310ST-100-125

Stainless Guard Feet  
Can also be ordered in pairs as a direct replacement for Edson's black plastic feet. Gasket and bushing allow for mounting 1", 1-1/8" or 1-1/4" guard pipes. Nuts and washers included.

## PEDESTAL GUARD KIT ORDERING GUIDE

Edson Pedestal Guard kits come complete with Stainless Guard Pipe, Top Plate and Feet. All are 9 1/2" wide on center. The Guard Top Plate fits directly on top of the Pedestal or Engine Control. The diameter of the Pedestal Bowl defines the proper kit size to order.

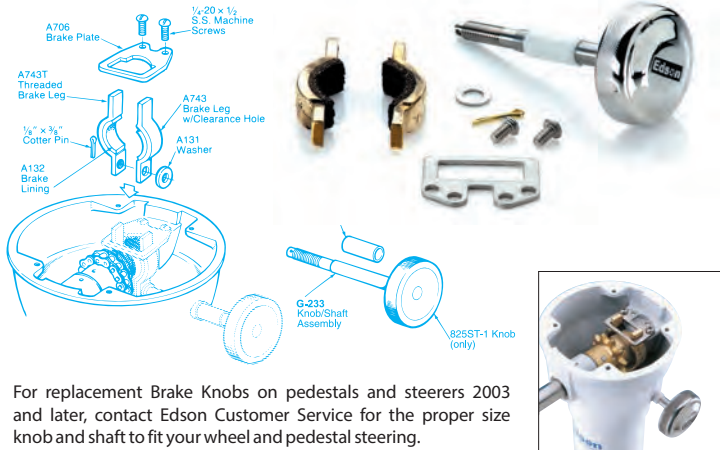
To Fit Pedestal	Pedestal Bowl Top Dia.	Order #			Stainless Top Plate Only
		58" Straight Guard Kit (Each includes Stainless Top Plate and Feet)	58" Offset Guard	58" Angled Guard	
335, 336, 337	6 1/2" (17.2 cm)	1600-45-58S	1610-45-58OS	1620-45-58A	1625ST-45
400, 402, 464 CDI Classic	8" (20.3 cm)	1600-6-58S	1610-6-58OS	1620-6-58A	1625ST-6
1 1/2" Guard Pipe Only	N/A	960-B-781	960-B-782	960-B-784	N/A
SS Guard Feet Only	N/A	#310ST-100-125 (for all sizes)			N/A

## Pedestal Wheel Brake for Pre-2003 Steerers

The Edson Friction Brake for Pedestal Steerers is designed to dampen the action of the wheel and is the most popular accessory for all steerers. Especially handy on long runs or when operating under power, these brakes can be used to secure the wheel under most conditions and will hold the boat on course while the helmsman trims a sheet or goes below. The brake can always be overridden by the helmsman. Brakes are constructed of bronze with long-lasting brake linings and are supplied with a stainless shaft and brake knob. For safety, the handle is designed to "pop off" if a line gets tangled around it. Edson pre-drills all holes required for the installation of the wheel brake which allows an Edson wheel brake to be retrofitted in approximately 20 minutes.

NOTE: Since 2003, all steerers feature thru-shaft wheel brakes and this brake kit is not applicable for these newer pedestals.

DESCRIPTION	ORDER #
Wheel Brake for older Edson Pedestals #334, 335 and 400.	#689ST-456
Wheel Brake w/ 8" Shaft for #410 Steerers	#689ST-8
Wheel Brake w/ 12" Shaft for #410 Steerers	#689ST-12
Stainless Replacement Knob	#825ST-1
Edson Brake Maintenance Kit	#316-689



For replacement Brake Knobs on pedestals and steerers 2003 and later, contact Edson Customer Service for the proper size knob and shaft to fit your wheel and pedestal steering.

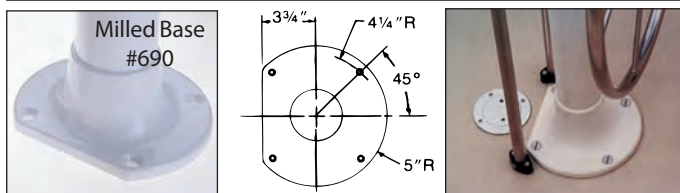


Edson's Stainless Replacement Brake Knob can be easily retrofitted onto your older Edson Pedestal. Easy press-on installation requires no tools.  
Order #825ST-1



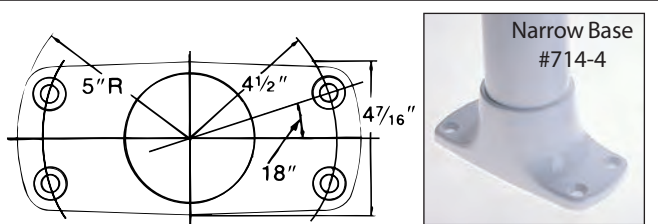
Edson's Brake Maintenance Kit includes everything you need, including complete brake legs with pads, to bring new life to your side-mount Edson brake.  
Order #316-689

## Optional Pedestal Bases



Edson's Milled Base is ideal for steerers up against a bridge deck or emergency tiller fittings. The Milled Base is adaptable to Edson Classic Pedestals. Removes 1/4" from either the aft or forward side of the pedestal. NOTE: As all pedestals are pressed and welded together, base must be ordered with pedestal. Edson's #646 Hex Head Bolts must also be used. Allow 2-3 weeks extra delivery time.

Milled Base Forward – Order #690-4MBF  
Milled Base Aft – Order #690-4MBA



Edson's Narrow Base - For a narrow bridge deck or for pedestals up to about 15"(380mm) high. Adaptable to Edson Classic pedestals. NOTE: As all pedestals are pressed and welded together, base must be ordered with pedestal. Edson's #646 Flat Head Bolts must also be used. Allow 2-3 weeks extra delivery time.  
Narrow Base - Order #714-4

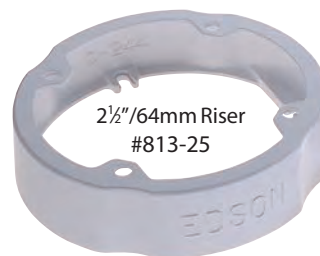
## Aluminum Pedestal Bolts



Edson's Aluminum Pedestal Bolts - Four Required. Since 1987, all Edson Pedestals use the exclusive Edson Hex Head Aluminum Bolts. With this improvement they lock in place and require only one person to tighten them. They fit flush with the base and made of aluminum, eliminating reaction from dissimilar metals. Flat head bolts are still available for boats with pedestals installed prior to February 1987.

4" Hex Head Aluminum Bolts – Order #646-4HEX  
6" Hex Head Aluminum Bolts – Order #646-6HEX  
8" Hex Head Aluminum Bolts – Order #646-8HEX  
4" Flat Head Aluminum Bolts – Order #646-4FLAT

## Pedestal Riser



Edson Pedestal Riser - Cast in Aluminum and finished in a highly durable glossy white baked-on urethane, the Pedestal Riser will raise your pedestal 2 1/2" (64mm) for more steering wheel clearance. You may need to order longer #646 Pedestal Bolts.  
2 1/2" (64mm) Pedestal Riser – Order #813-25

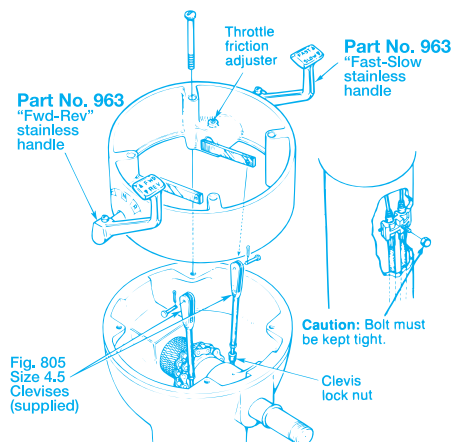
# Engine Controls - Dual Lever

Edson's Standard Clutch and Throttle Control features matching stainless control handles which are conveniently located on each side of the pedestal and are clearly marked for "Forward" and "Reverse", "Fast" and "Slow". For precision speed control there is a Throttle Friction Adjustment Screw inside the housing. This control is easy to install and can be used with any transmission that uses 33 Series (Edson #734) cables such as: Hurth and Borg Warner Velvet Drive Transmissions typically found on Universal, Ford Lehman, Yanmar and Westerbeke engines. This control should only be used where pulling on the clutch cable end engages the transmission in forward gear. If the opposite occurs, the #816 shown below should be used.

Clutch & Throttle Control for 334, 335, 336 & 337 Pedestals - Order #870ST-45  
 Clutch & Throttle Control for 400, 402 & 403 Pedestals - Order #870ST-6



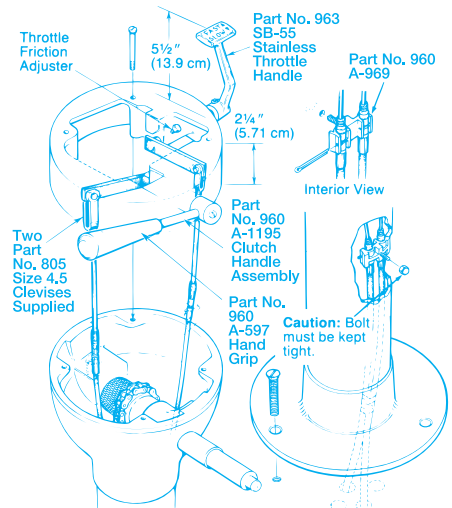
#870ST Engine Control includes Clutch and Throttle Control Housing, Stainless Handles, Clevises, Cable Holder, and all necessary hardware.



**GO TO**  
 See Page 37 for Engine Control Cables

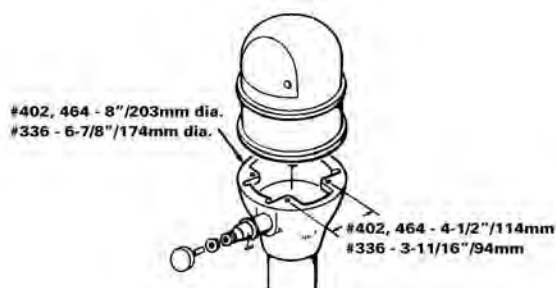
Edson Clutch and Throttle Control is designed for transmissions that go into reverse when the cable is extended at the pedestal end. Also for harder to shift transmissions. Only for transmissions that specify 33 Series (Edson #734) Control Cables. The clutch handle is 6" (152mm) long and is easily operated up and down by reaching over the wheel. The Throttle Handle is polished Stainless and clearly marked for "Fast" and "Slow" speeds. A Throttle Friction Adjustment Screw and a Clutch Travel Limiter are standard features.

Clutch & Throttle Control for No. 334, 335, 336 & 337 Pedestals - Order #816ST-45



## Tech Tip

How do I determine which Edson Pedestal I have?  
 Edson makes two sizes of Classic Pedestals: a 300 Series with 6-7/8" diameter top (often referred to as size 45, since they will hold a compass with a 4" or 5" card), and a 400 Series with 8" diameter top (often referred to as size 6, since they will hold a compass with a 6" card).  
 When ordering pedestal accessories, look for size 45 for 6-7/8" 300 Series Pedestals and size 6 for 400 Series 8" Pedestals.

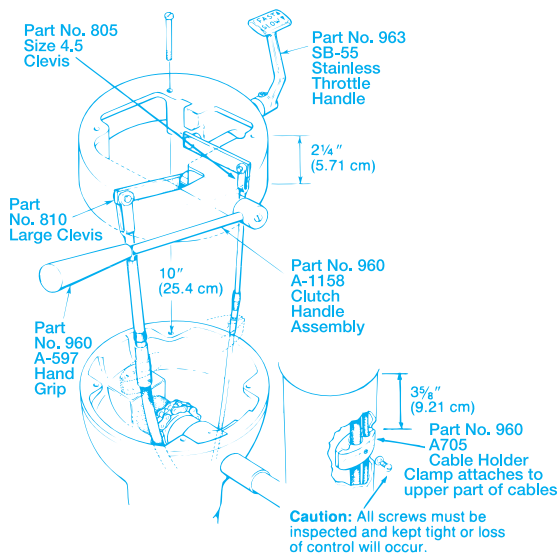


Edson "Mechanical Shift" Clutch and Throttle Control is designed for use with 64 Series (Edson #735) Transmission Cables and 33 Series (Edson #734) Throttle Cables. The clutch handle is 10"(254mm) long to provide increased shifting leverage for Atomic 4 and other hard to shift transmissions. The Part No. 963SB-55 Throttle Handle is polished Stainless and clearly marked for "Fast" and "Slow" speeds. A Throttle Friction Adjustment Screw is a standard feature.

Clutch & Throttle Control for No. 334, 335, 336 & 337 Pedestals – Order #751ST-45



#751ST Engine Control includes all of the parts shown in the above photo.



### Engine Control Installation Guidelines

1. All Edson Dual Lever engine controls are designed to be used with only those engine transmissions having detents to locate and hold the transmission in gear.
2. Lead cables under the deck using a minimum number of bends with a generous radius. The degree of bend in the cable, when all bends are added together, should not exceed 270 degrees. Tape or clamp to several structural members to reduce cable lost motion and prevent interference with sheaves and wire rope.
3. Cables may be adjusted by screwing the clevises at the engine control or engine end in or out, or by attaching the clevis at a different position on the shift or throttle levers at the engine end.
4. If engine vibration causes unwanted throttle movement, adjust throttle friction adjuster.
5. Those on board must be familiar with the maintenance and operation of the controls. All screws must be kept tight and cotter pins properly secured.

Type Control	Edson Shift Cable Used	Edson Throttle Cable Used	Max. Clutch Cable Throw	Max. Throttle Cable Throw	Approx. Max. Operator Input for a Properly Adjusted Transmission
# 751	#735	# 734	3 3/8" (86 mm)	3" (76 mm)	15 to 20 lbs. (6.8 to 9 kg)
# 870	# 734	# 734	3" (76 mm)	3" (76 mm)	5 to 10 lbs. (2.2 to 4.5 kg)
# 816	# 734	# 734	3" (76 mm)	3" (76 mm)	10 to 15 lbs. (4.5 to 6.8 kg)

Note: Max. cable throw figures on using Edson's standard 4"(10.2 cm) Column Pedestal.

### Stainless Pedestal Upgrade Kits

Edson's Stainless Pedestal Upgrade Kit includes all of the pedestal items that have been upgraded from plastic to stainless steel over the years including Guard Feet & Top Plate, Wheel Nut, Engine Control Handles and Brake Knob. Four different models to choose from depending on your pedestal size and engine control handle configuration. See Tech Tip on pg 35 for pedestal sizing information.

Kit Contents:

- Stainless Throttle Handle - #963SB-55
- Stainless Clutch Handle - #963PT-55 or Black Plastic Clutch Handle - #960-A-597
- Stainless Wheel Nut (fits 1" or 3/4" threads with insert) - #673ST
- Stainless Top Plate - #1625ST-45 or #1625ST-6
- Stainless Guard Feet - #310ST-100-125
- Stainless Brake Knob - #825ST-1

For 300 Series 6-7/8" Dia. Pedestals - Order #315-870-45

For 300 Series 6-7/8" Dia. Pedestals with Black Clutch Handle - Order #315-751-816-45

For 400 Series 8" Dia. Pedestals - Order #315-870-6

For 400 Series 8" Dia. Pedestals with Black Clutch Handle - Order #315-751-816-6



#315-870



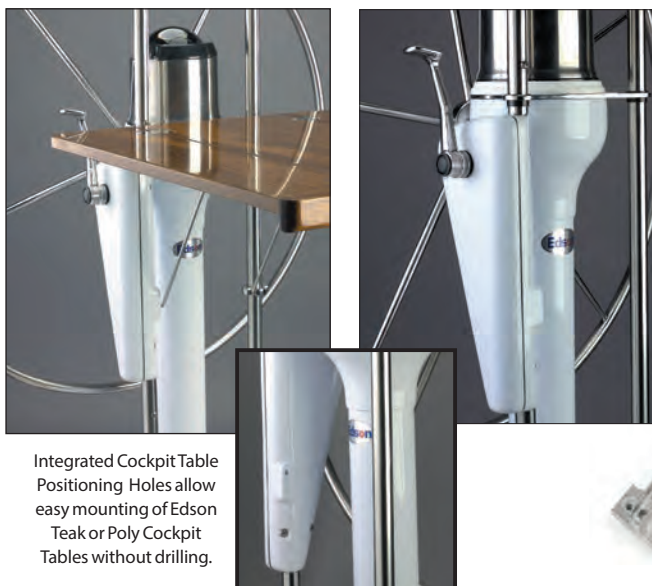
#315-751-816

# Engine Controls - Single Lever

Edson's Side-Mount Single-Lever Engine Control provides simple, safe, one-handed operation while maneuvering your boat under power. Mounted on the Pedestal with the choice of three different 1 1/8" diameter Stainless Pedestal Guard Pipes and a stainless Top Plate, it takes up virtually no additional cockpit space and incorporates positioning holes for quick mounting of any of Edson's Teak or Poly Cockpit Tables.

## Features of the Control:

- Single-Lever operation of both the clutch and throttle.
- Comes complete with Morse SL3 Engine Control Mechanism.
- Neutral Lockout—throttle can be operated without engaging transmission.
- Positive detents for transmission.
- Constructed of the highest quality non-magnetic marine-grade materials.
- Cast Aluminum Housing with Glossy White Baked-on urethane finish—matches Edson Pedestals.
- Highly polished investment-cast 316 Stainless Handle.
- Stainless Top Plate, Guard Pipes and Guard Feet Included.
- Mounts to the Edson Pedestal with choice of Three Different Pedestal Guard Pipes.
- Sized to fit 6-7/8" or 8" Edson Pedestal Bowls.
- Fits all Edson Pedestals Classic Style Pedestals with Thru-Shaft Brakes.
- Gasketed Housing—keeps moisture away from mechanism and cables.



Integrated Cockpit Table Positioning Holes allow easy mounting of Edson Teak or Poly Cockpit Tables without drilling.



Edson Single Lever Engine Controls are also available alone for bulkhead mounting.

- Stainless Handle, Stainless Faceplate and Gasket included
- Single Lever for intuitive control
- Uses Series 33 Control Cables
- Neutral Lock-Out Mechanism Revs Engine for Battery Charging
- Can mount on any Vertical Bulkhead  
Order #910-SL3-TAPER

Replacement Cover & Lockout Button  
Order #313-910

## SIDE MOUNT SINGLE LEVER ENGINE CONTROL ORDERING GUIDE

To Fit Edson Pedestal	With 58" Straight Guard Order #	With 58" Angled Guard Order #	With 58" Offset Guard Order #
#336 (6-7/8" Dia. Pedestal Top)	1660-45C-58S	1660-45C-58A	1660-45C-58OS
#402, #464 (8" Dia. Pedestal Top)	1660-6C-58S	1660-6C-58A	1660-6C-58OS

NOTE: All sizes come complete with engine control mechanism, handle, housing, stainless top plate, guard pipe and feet. The installer furnishes the appropriate control cables. Not to be used with Atomic 4 or other hard to shift mechanical transmissions. Control must be used with Edson 1 1/8" Guards and Thru-Shaft Wheel Brake.



GO TO

See Page 37 for Engine Control Cables

## Stainless Engine Control Handles

Order these to upgrade your older Edson controls. Highly polished, marked "Fast-Slow" and "Fwd-Rev". They can be easily retrofitted onto existing Edson engine controls.

Throttle Handle – Order #963SB-55

Clutch Handle – Order #963PT-55



Clutch Handle  
#963PT-55

Throttle Handle  
#963SB-55



### IMPORTANT

- These handles are only for Edson's Dual Lever Engine Controls.
- Older pedestals with 10-32 engine control shaft threads must be retapped to 1/4"-28 in order to accept the mounting screws supplied with these handles.

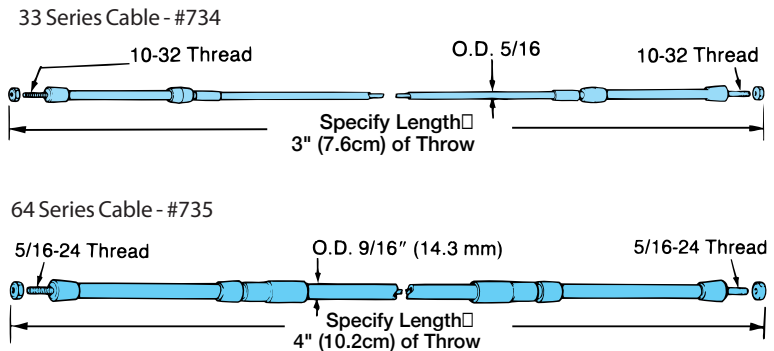
## Engine Control Cables

The proper engine control cables will have a dramatic effect on the performance of your engine control. Edson carries only premium, high-efficiency cables that feature a flexible inner core that allow for complex routing without stiffness.

Cables are not included with the engine controls because the length varies with each installation. For lengths available see Price Page.

33 Series Throttle and Clutch Cable - Order #734 (Specify Length)

64 Series Clutch Cable - Order #735 (Specify Length).

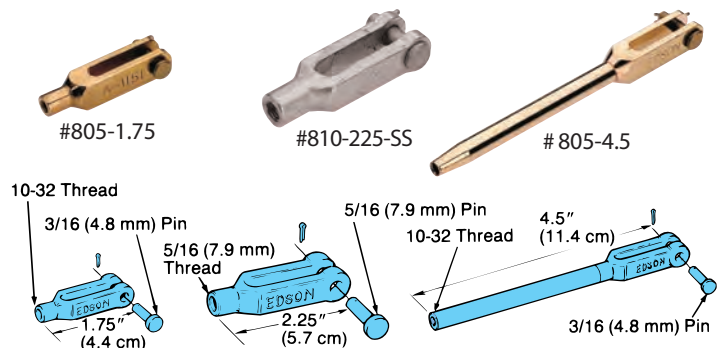


## Bronze Engine Control Clevises

Each engine control is supplied with solid bronze or stainless clevises with clevis pins for the engine control end. Extra clevises for the engine must be ordered separately.

#805-4.5 comes standard with #816 and #870 Controls.

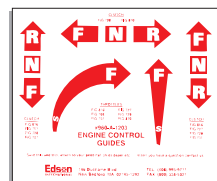
#810-225 accommodates 64 Series Cables and is included with #751 controls for the gear shift.



## Engine Control Decal

A red decal on your engine controls provides you and your guests with instructions at a glance. It is supplied with all new controls. Order a replacement if yours has become unreadable. Works for all engine controls.

Order #960-A-1203



## Engine Control Cable Clamps

Nylon for 5/16" 33 Series Cable - Order #960-A-969

Aluminum for 9/16" 64 Series Cable - Order #960-A-705



#960-A-969  
(Use with #816 & #870 Controls)



#960-A-705  
(Use with #751 Controls)

# Marine Compasses and Accessories

The Magnetic Marine Compass is probably still the most important navigation instrument that you can have on any boat. Because Edson understands the importance of the proper installation of a compass you can be assured that all of our steering pedestals have been designed and manufactured to accept the wide variety of compasses without interfering with their sensitive magnets.

## Edson Vision Series™ Compass Bowl

Edson's Compass Bowl allows the mounting of a flush-mount compass between the guard pipes. Ideal for installations where there is limited space on the pedestal for the compass or the compass needs to be mounted away from instruments that may cause magnetic deviation. It also puts the compass higher, closer to the line of sight, making steering a course much easier, especially at night. Robust Stainless and thermoformed ABS construction. Mounts between Edson Standard guard pipes with 9-1/2" centers. Stainless mounting hardware included.

Edson Compass Bowl for 3.5" & 4" Compasses – Order #2150-95-4

Edson Compass Bowl for 5" Compasses – Order #2150-95-5

NOTE: Pedestal Guard sold separately - see page 32.



## Flush Compasses

For Use With Edson Vision Series™ Pedestals and #856 Compass Cylinders

Flush Mount Compasses can be mounted directly on an Edson Vision Series "MV" Pedestal or to a Classic Pedestal by using the #856 Compass Cylinders shown on page 39. These compasses have either 3 3/4", 4" or 5" dials with 5° increments, full internal gimbals, 45° lubber lines, night lighting in a movable sun shield and adjustable compensators. These Ritchie Compasses are available in either white or black finish.

Flush Mount Compasses with 3 3/4" dials:

Ritchie Helmsman Black (shown)  
Ritchie Helmsman White

Order #658-HF-742  
Order #658-HF-742W

Flush Mount Compasses with 4" dials:

Ritchie Navigator Black  
Ritchie Navigator White (shown)

Order #658-FN-201  
Order #658-FNW-201

Flush Mount Compasses with 5" dials:

Ritchie SB500 (shown above)

Order #658-SB-500



#658-HF-742

#658-FNW-201



## Binnacle Compasses

For Edson 336, 402 and 464 Pedestals

Binnacle Compass can be mounted directly to the Edson Spacemaker Pedestals using the standard 4-bolt pattern on the top of the pedestal or optional Edson Engine Control Housing. Ritchie manufactures binnacle models with choices of 4 1/2", 5" or 6" dial sizes and optional finishes and materials. They all have 5° increments, built-in compensators, night lighting, full gimbals and 45° lubber lines.

Binnacle Mounts with 4 1/2" dials for 336 & 337 Pedestals:

Ritchie Navigator Stainless  
Ritchie Navigator Black (shown)  
Ritchie Navigator White (shown)

Order #658-DNP-200  
Order #658-DNB-200  
Order #658-DNW-200

Binnacle Mounts with 5" dials for 336 & 337 Pedestals:

Ritchie Globemaster SP-5 (shown)  
Ritchie Globemaster SP-5B

Order #658-SP-5C  
Order #658-SP-5B

Traditional Binnacle Mount with hood, 5" dials for 336 & 337 Pedestals:

Ritchie Globemaster Stainless (shown)  
Ritchie Globemaster Brass

Order #658-D-515-EP  
Order #658-D-515-EX

Traditional Binnacle Mount with hood, 6" dials for 402 & 464 Pedestals:

Ritchie Globemaster Stainless  
Ritchie Globemaster Brass (shown)

Order #658-D-615-EP  
Order #658-D-615-EX



#658-SP-5C

#658-DNB-200



#658-DNW-200

#658-D-515-EP



## Compass Cover

Edson's Compass and Instrument Cover protects your compass or pod mounted instruments. The cover is made of sun-resistant white vinyl laminate with a Velcro tie.

Compass Cover for Edson #336 & #337 Pedestals - Order #693-5



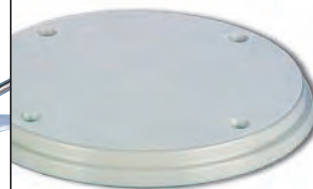
## Pedestal Top Adapter

Edson's Pedestal Top Adapter allows you to adapt nearly any compass to an Edson pedestal. They can also be used as a pedestal cover when not installing a compass. Available in white marine-grade polymer and furnished with pre-drilled holes and flat head machine screws.

The #694WH-6-45 allows a 5" dial compass with 7" (178 mm) base to be adapted to the Edson #402 or #464 Classic CD-i Pedestal. Wt. 1 lb (.45 kg).



#694WH-6-45



## Ritchie Weather Shield

Edson recommends the use of the Ritchie Weather Shield with the installation of any Binnacle Mount Compass on Edson 336 & 337 Pedestals. The weather shield helps prevent water infiltration into the pedestal or below decks through the pedestal.

Ritchie Weather Shield - Order #658-WS-P

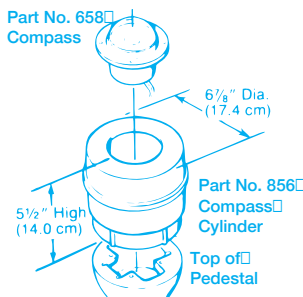


Weather Shield #658-WS-P

## Compass Cylinder

Edson's Compass Cylinders are distinctive, non-reflecting, and virtually indestructible. Great for new boats or upgrading your existing pedestal to a larger, easier to read compass. Fits Edson's 336 & 337 pedestals, stands 5 1/2" high and accommodates flush mounted compasses up to a 6 7/8" flange diameter.

White Compass Cylinder - Order #856WH-345



#856WH-345



## Compass Bolts

Edson offers two sizes of 1/2-20 bolts: 1" long or 3/2" long Phillips Head Machine Screws coated with a state-of-the-art process that is designed to eliminate the galvanic reaction between Stainless and Aluminum. Edson now uses these bolts as standard equipment for fastening the compass and engine control to the top of the pedestal. We highly recommend these bolts as they facilitate inspection and maintenance of your pedestal steering.

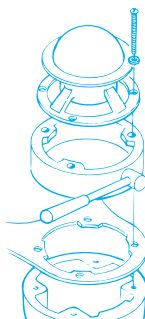
Wt. 8 oz (204 kg).

Set of Four 1" Edson Compass Bolts - Order #817-1

Set of Four 3/2" Edson Compass Bolts - Order #817-3.5

#817-3.5

#817-1



## Compass Light Wire

Non-magnetic braided wire. For new installations or re-wiring an existing compass. Have some extra on board. Available in 10, 25, or 30 foot lengths (shown below).

10' (3 m) Compass Wire - Order #669-10

25' (7.6 m) Compass Wire - Order #669-25

30' (9 m) Compass Wire - Order #669-30

#669



#672-1

## Rubber Wire Connectors

Two-prong, rubber plugs for easy disconnecting of compass lights during pedestal or compass servicing. Handy for many other shipboard uses.

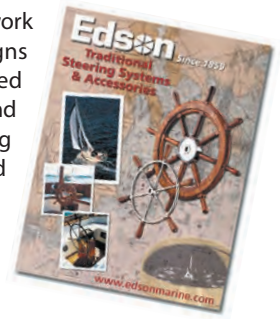
Order #672-1



# Traditional Steering Systems



Edson has been building steering systems for yachts and work boats for over 150 years. Many traditional boat designs are still excellent candidates for Edson's Traditional Geared Steerers, which were engineered for the designs and configurations of the day. If you are building or refinishing a classic yacht, Edson's Traditional Wheels and Geared Steerers are still available, but constructed of modern materials and methods which were not available when first built.



## Worm Gear Steerers

This steerer was originally designed for Kaiser Wilhelm's Yacht Meteor which was designed to race against Britannia. The Worm Gear Steerer is a very rugged steerer, with cast Bronze and Stainless construction for optimum strength. Since the Worm Gear offers no "feedback" it is best suited for long keeled cruising designs that will track properly with little or no attention to the wheel. Several styles and sizes to fit boats from 25' (7.6 m) to 85' (26 m).

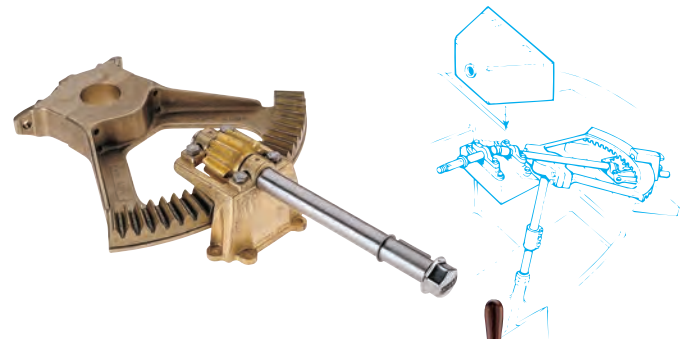


## Rack & Pinion Steerers

For sailors who desire a powerful, compact and sensitive steering system, Edson's complete line of Rack and Pinion Steerers with complete rudder feedback are ruggedly constructed of bronze alloys with 1" stainless wheel shafts and hardware.

- Edson's Rack and Pinion Steerers are available in three configurations:
- Transom hung rudder steerers
  - Two types of inboard rudder steerers

These steerers mount 90° to the rudder axis. Ideal for cockpit layouts that can allow for a steerer cover to double as a helm seat.



## Traditional Wheel Components

Edson's Teak Handles. These varnished teak handles can be used on home built wheels to replace original handles for a finished look. Complete with 3/8"-16 stainless carriage bolts. These are the same Handles as those used on Edson's #602, #688 and #971 Traditional Wheels.

- 3 1/2" Teak Handle w/Stainless Carriage Bolt - Order #882-350
- 4" Teak Handle w/Stainless Carriage Bolt - Order #882-400
- 4 1/2" Teak Handle w/Stainless Carriage Bolt - Order #882-450
- 5" Teak Handle w/Stainless Carriage Bolt - Order #882-500

Edson's Wheel Hubs. Make your own traditional mahogany or teak wheels. Available in polished or chrome plated bronze castings. Two-piece design allows for easy assembly. See Ordering Guide.



Teak Handle  
#882



Chrome Hub  
#667CH

Bronze Hub  
#667BR

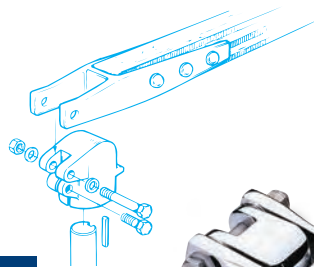


WHEEL HUB ORDERING GUIDE					
For Wheels Sizes:	Bronze Hub	Chrome Hub	Hub O.D.	No. of Spokes	Spoke Size
20"/50.1 cm - 26"/66 cm	Order # 667BR-2	Order # 667CH-2	4" (10.2 cm)	6	1.25" (3.2 cm)
28"/71 cm - 34"/86 cm	Order # 667BR-4	Order # 667CH-4	5 1/2" (13.9 cm)	8	1.375" (3.5 cm)
36"/91.4 cm - 42"/106.7 cm	Order # 667BR-6	Order # 667CH-6	6" (16.5 cm)	8	1.375" (3.5 cm)

## Bronze Tiller Head Fittings

Edson's Bronze Tiller Head Fittings are hand cast in Edson's own foundry and have a classic look and feel that compliments both traditional and modern boats alike. Two sizes for rudderposts 1" dia or 1¼" to 1½" dia. They are available in burnished bronze or chrome plated bronze.

See Ordering Guide for specs and Part #s.



Chrome Bronze Tiller Head Fitting

Bronze Tiller Head Fitting

### BRONZE TILLER HEAD FITTING ORDERING GUIDE

Finish	Order #	Rudderpost Dia.	Keyway	Tiller Width	Weight
BRONZE	965BR-100	1"	¼"	1½"	2.75lb(1.3kg)
	965BR-125-150	1¼" - 1½"*	¼"	2"	7lb(3.2kg)
CHROME	965CH-100	1"	¼"	1½"	2.75lb(1.3kg)
	965CH-125-150	1¼" - 1½"*	¼"	2"	7lb(3.2kg)

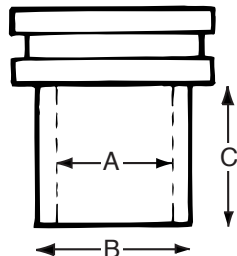
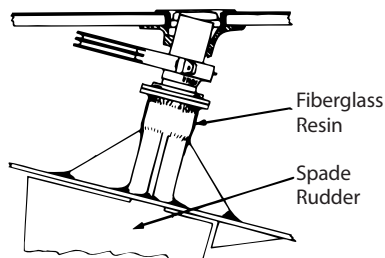
\* For size 125-150, specify exact bore size required between 1¼" and 1½"  
Keyways in rudderposts should be facing forward.

## Stuffing Box / Bearings

Combines a rudderpost bearing with an above-the-waterline stuffing box for rudderpost sizes ranging from 1" (2.5 cm) diameter to 4½" (11.4 cm). We recommend fiberglassing the stuffing box/bearing to the top of the tubing when the rudderpost is in place. This can be done easily using alternating layers of fiberglass mat and cloth. This makes the post a structural bearing and will help carry rudder loads with minimal friction. Custom sizes are available on request, but allow additional time.



Stuffing Box #697



### STUFFING BOX ORDERING GUIDE

For Rudderpost Diameter*	Order #	A**		B		C		Weight	
		in	mm	in	mm	in	mm	lb	Kg
1"	697-1.0	1	25	2	51	1.25	32	2.5	1.1
1½"	697-1.125	1.125	29	2	51	1.25	32	2.5	1.1
1¼"	697-1.25	1.25	32	2	51	1.25	32	2.5	1.1
1⅜"	697-1.375	1.375	35	2	51	1.25	32	2.5	1.1
1½"	697-1.5	1.5	38	2	51	1.25	32	2.5	1.1
1⅝"	697-1.625	1.625	41	2	51	1.25	32	3	1.4
1.660"	697-1.660	1.660	42	2	51	1.25	32	3	1.4
1¾"	697-1.75	1.75	44	2.44	62	1.25	32	3	1.4
1⅞"	697-1.875	1.875	48	2.44	62	1.25	32	3	1.4
1.9"	697-1.9	1.9	48	2.44	62	1.25	32	3	1.4
2"	697-2.0	2.0	51	2.44	62	1.25	32	3.5	1.6
2¼"	697-2.25	2.25	57	3	76	1.25	32	3.5	1.6
2⅜"	697-2.375	2.375	60	3	76	1.25	32	3.5	1.6
2½"	697-2.5	2.5	64	3	76	1.25	32	4	1.8
2.860"	697-2.860	2.860	73	3.5	89	1.25	32	4	1.8
2⅞"	697-2.875	2.875	73	3.5	89	1.25	32	4	1.8
3"	697-3.0	3.0	76	3.5	89	1.75	44	4.5	2
3½"	697-3.5	3.5	89	4	101	1.75	44	4.5	2
4"	697-4.0	4.0	101	4	101	1.75	44	6	2.7
4½"	697-4.5	4.5	114	5.125	130	1.75	44	6	2.7

\* Metric and Custom sizes available on request.

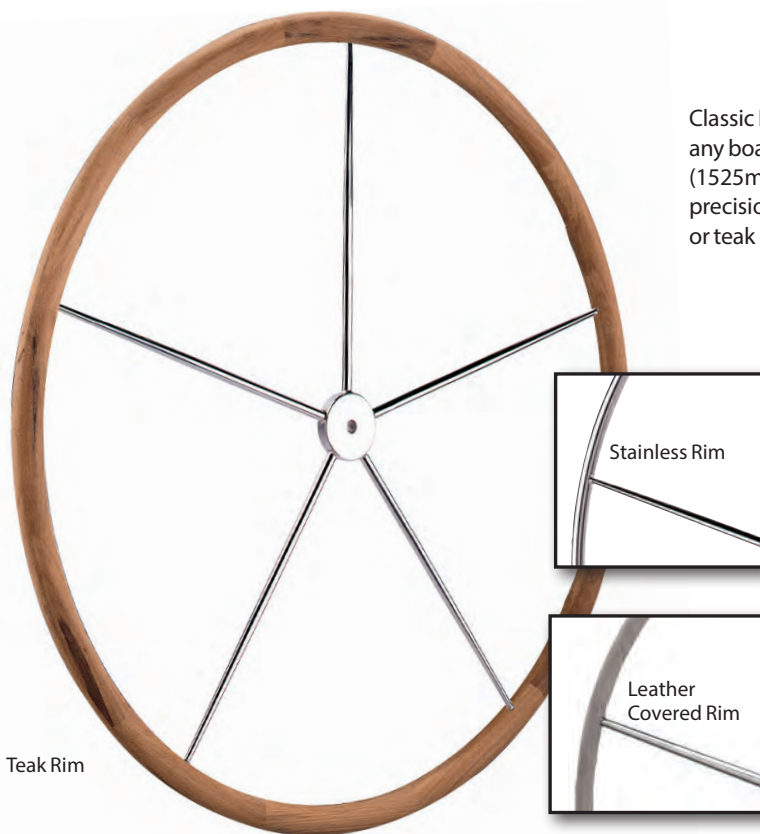
\*\* 'A' Dimension is actually bored +.030" over rudderpost size for proper clearance.

## Flax Packing for Stuffing Boxes

Waxed flax packing for re-lining your Stuffing Box.  
3/8" square x 16.5" long. Easily cut to fit.  
3/8" x 16.5" Waxed Flax Packing - Order #960-A-288



# Edson Destroyer™ Wheels



Classic Edson Destroyer Wheels will add distinction and value to any boat. Available in sizes ranging from 16" (406mm) to 60" (1525mm), they have a timeless look, comfortable rim shape and precision-machined hub for an exact fit. Available with stainless or teak rims or with optional Dove Gray Leather Rim Cover.

## Features:

- Teak, Stainless or Leather covered wheel rims.
- Built of highly polished marine-grade stainless
- Attractive dished shape and newly styled hub.
- Lightweight yet extremely strong
- Tapered, hollow spokes for an elegant look.
- Available with Teak Rim for the ultimate in beauty and comfort!
- Hubs available to accommodate standard 1" sailboat tapered wheel shaft or 1" straight wheel shafts (see below).
- Wheel adapters available to fit most other shaft sizes.
- 3/4" Tapered Hub for hydraulic or powerboat steerers also available - order #1750



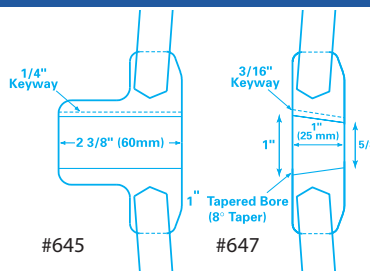
**See page 50 for Edson Wheel Nuts**



## Tech Tip

How do I determine if an Edson Wheel will fit my Pedestal?

Edson wheels have either a 1" straight bore with a 1/4" keyway and a 2 3/8" hub length or a 1" bore with an 8 degree taper, 3/16" keyway and a 1" hub length. Measure your existing wheel to determine if these dimensions match your wheel and shaft.



## Stainless Dished Destroyer Wheel

The classic Edson Destroyer™ Wheel will add distinction and value to any boat. Available in sizes ranging from 18" (457mm) to 60" (1520mm), they feature an attractive dished shape and tapered hollow spokes. Elegant yet strong, these wheels have a timeless appearance that will look great on any style of sailboat. The "D" shaped rim is comfortable in your hands and the optional Leather Wheel Rim Cover will make those long hours at the helm less tiresome. Edson Destroyer Wheels are available with either a 1" straight hub or a 1" sailboat tapered hub, both precision machined to ensure an exact fit to your steering shaft.

- Attractive dished-shape and newly styled hub. • Lightweight.
- 1" (25mm) D-shaped rim for easy grip. • Available with Tapered or Straight Hub.
- Tapered, hollow spokes.
- Wheel sizes from 18" (46cm) to 40" (102cm) feature 5 spokes.
- Wheel sizes from 44" (111.8cm) to 60" (152cm) feature 7 spokes.

Stainless Destroyer Wheel with Straight Hub - Order #645ST  
 Stainless Destroyer Wheel with Tapered Hub - Order #647ST  
 See ordering guide on page 44 for sizes and specs



## Teak Rim Dished Destroyer Wheel

Edson's New Teak Rim Destroyer Wheels are warm to the touch, elegant in appearance and feather light. Available from from 16" (41 cm) to 48" (121 cm) , Edson's Teak Rim Destroyer Wheels feature 5 and 7 spokes, just like the Stainless Version.

- Attractive dished-shape and newly styled hub. • Tapered, hollow spokes.
- 1-1/8" laminated solid teak rim.
- Wheel sizes from 16" (41 cm) to 48" (121 cm).
- Delivered with natural teak, ready for each individual's preferred finish.
- Wheel sizes from 16" (41 cm) to 34" (864cm) feature 5 spokes.
- Wheel sizes from 38" (965cm) to 48" (1219cm) feature 7 spokes.

Teak Rim Destroyer Wheel with Straight Hub - Order #645TK  
 Teak Rim Destroyer Wheel with Tapered Hub - Order #647TK  
 See ordering guide on page 44 for sizes and specs



## Leather Covered Dished Destroyer Wheel

Edson's 5 & 7 Spoke Stainless Destroyer Wheels are also available pre-covered with our highest quality Dove Gray Leather Rim Covers. The Orthopedic Grade cowhide is thick, supple and will feel warm in cool weather and cool when the hot sun heats up your wheel.

- Same high-quality construction as Stainless Wheel
- Wheel sizes from 18" (46cm) to 40" (102cm) feature 5 spokes.
- Wheel sizes from 44" (111.8cm) to 60" (152cm) feature 7 spokes.
- Available in Standard or Comfort Grip™ Leather

Leather Covered Destroyer Wheel with Straight Hub - Order #645LE or CG  
 Leather Covered Destroyer Wheel with Tapered Hub - Order #647LE or CG  
 See ordering guide on page 44 for sizes and specs



## Stainless Bi-Spoke Destroyer™ Wheels



- Dual Tapered Spokes for superior rigidity
- Ideal for Offshore use.
- Optional Teak & Holly laminated wheel rim available - call for info.
- 1" (25mm) D-shaped rim for easy grip.
- "Winch-Handle Socket" Wheel Nut included.
- Designed to fit 1" Tapered Wheel Shafts only (see Tech Tip on pg. 10).

- 36" Bi-Spoke Destroyer Wheel - Order #649-36
- 40" Bi-Spoke Destroyer Wheel - Order #649-40
- 44" Bi-Spoke Destroyer Wheel - Order #649-44
- 48" Bi-Spoke Destroyer Wheel - Order #649-48
- 54" Bi-Spoke Destroyer Wheel - Order #649-54
- 60" Bi-Spoke Destroyer Wheel - Order #649-60

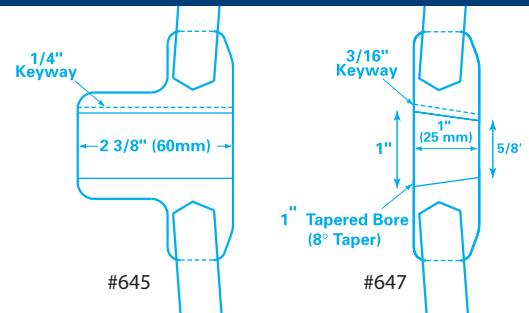


### TECH TIP

How do I determine if an Edson Wheel will fit my Pedestal?

Edson wheels have either a 1" straight bore with a 1/4" keyway and a 2-3/8" hub length or a 1" bore with an 8 degree taper, 3/16" keyway and a 1" hub length. Prior to 2000, Edson Steerers and Pedestals had 1" straight shaft. Since then they have had tapered shafts. Measure your existing wheel to determine if these dimensions match your wheel and shaft.

NOTE: 3/4" Tapered Hub for hydraulic or powerboat steerers also available - order #1750.



## Edson Destroyer Wheel Ordering Guide

Wheel Size Inches (cm)	Stainless Rim		Leather Covered Rim		Comfort Grip Leather Covered Rim		Teak Rim									
	#645ST Stainless Destroyer Wheel w/ Straight Hub	#647ST Stainless Destroyer Wheel w/ Tapered Hub	#645LE Stainless Leather Rim Wheel w/ Straight Hub	#647LE Stainless Leather Rim Wheel w/ Tapered Hub	#645CG Stainless Comfort Grip Wheel w/ Straight Hub	#647CG Stainless Comfort Grip Wheel w/ Tapered Hub	#645TK Teak Rim Wheel w/ Straight Hub	#647TK Teak Rim Wheel w/ Tapered Hub								
	Order#	Weight Lbs/kg	Order#	Weight Lbs/kg	Order#	Weight Lbs/kg	Order#	Weight Lbs/kg	Order#	Weight Lbs/kg	Order#	Weight Lbs/kg				
18" (45.7cm)	645ST-18-5	5.3/2.4	647ST-18-5	5.3/2.4	645LE-18-5-GR	5.5/2.4	647LE-18-5-GR	5.5/2.5	645CG-18-5-GR	5.5/2.5	647CG-18-5-GR	5.5/2.5	645TK-18-5	4.4/2.0	647TK-18-5	4.4/2.0
20" (50.8cm)	645ST-20-5	5.5/2.5	647ST-20-5	5.5/2.5	645LE-20-5-GR	5.7/2.5	647LE-20-5-GR	5.7/2.5	645CG-20-5-GR	5.7/2.6	647CG-20-5-GR	5.7/2.6	645TK-20-5	4.6/2.1	647TK-20-5	4.6/2.1
22" (55.8cm)	645ST-22-5	5.6/2.6	647ST-22-5	5.6/2.5	645LE-22-5-GR	5.8/2.6	647LE-22-5-GR	5.8/2.6	645CG-22-5-GR	5.9/2.6	647CG-22-5-GR	5.9/2.6	645TK-22-5	4.7/2.1	647TK-22-5	4.7/2.1
24" (60.9cm)	645ST-24-5	5.8/2.7	647ST-24-5	5.8/2.6	645LE-24-5-GR	6.0/2.7	647LE-24-5-GR	6.0/2.7	645CG-24-5-GR	6.1/2.7	647CG-24-5-GR	6.1/2.7	645TK-24-5	4.8/2.9	647TK-24-5	4.8/2.9
26" (66 cm)	645ST-26-5	6.2/2.8	647ST-26-5	6.2/2.8	645LE-26-5-GR	6.4/2.9	647LE-26-5-GR	6.4/2.9	645CG-26-5-GR	6.5/2.9	647CG-26-5-GR	6.5/2.9	645TK-26-5	5.2/2.3	647TK-26-5	5.2/2.3
28" (71.1cm)	645ST-28-5	6.8/3.1	647ST-28-5	6.8/3.1	645LE-28-5-GR	7.0/3.2	647LE-28-5-GR	7.0/3.2	645CG-28-5-GR	7.1/3.2	647CG-28-5-GR	7.1/3.2	645TK-28-5	5.7/2.6	647TK-28-5	5.7/2.6
30" (76.2cm)	645ST-30-5	7.0/3.2	647ST-30-5	7.0/3.2	645LE-30-5-GR	7.2/3.2	647LE-30-5-GR	7.2/3.2	645CG-30-5-GR	7.3/3.3	647CG-30-5-GR	7.3/3.3	645TK-30-5	5.9/2.6	647TK-30-5	5.9/2.6
32" (81.2cm)	645ST-32-5	7.5/3.4	647ST-32-5	7.5/3.4	645LE-32-5-GR	7.7/3.5	647LE-32-5-GR	7.7/3.5	645CG-32-5-GR	7.8/3.5	647CG-32-5-GR	7.8/3.5	645TK-32-5	6.3/2.8	647TK-32-5	6.3/2.8
34" (85 cm)	N/A	—	N/A	—	N/A	—	N/A	—	N/A	—	N/A	—	645TK-34-5	6.8/3.1	647TK-34-5	6.8/3.1
36" (91.4cm)	645ST-36-5	8.5/3.8	647ST-36-5	8.5/3.8	645LE-36-5-GR	8.8/3.9	647LE-36-5-GR	8.8/3.9	645CG-36-5-GR	8.9/4.0	647CG-36-5-GR	8.9/4.0	N/A	—	N/A	—
38" (96cm)	N/A	—	N/A	—	N/A	—	N/A	—	N/A	—	N/A	—	645TK-38-7	7.3/3.3	647TK-38-7	7.3/3.3
40" (102cm)	645ST-40-5	9.0/4.1	647ST-40-5	9.0/4.1	645LE-40-5-GR	9.3/4.2	647LE-40-5-GR	9.3/4.2	645CG-40-5-GR	9.4/4.2	647CG-40-5-GR	9.4/4.2	N/A	—	N/A	—
44" (112cm)	645ST-44-7	9.5/4.3	647ST-44-7	9.5/4.3	645LE-44-7-GR	9.8/4.4	647LE-44-7-GR	9.8/4.4	645CG-44-7-GR	9.9/4.5	647CG-44-7-GR	9.9/4.5	645TK-44-7	7.9/3.6	647TK-44-7	7.9/3.6
48" (121cm)	645ST-48-7	9.9/4.5	647ST-48-7	9.9/4.5	645LE-48-7-GR	10.2/4.6	647LE-48-7-GR	10.2/4.6	645CG-48-7-GR	10.3/4.7	647CG-48-7-GR	10.3/4.7	645TK-48-7	8.3/3.7	647TK-48-7	8.3/3.7
54" (137cm)	645ST-54-7	11/5.0	647ST-54-7	11/5.0	645LE-54-7-GR	11.3/5.1	647LE-54-7-GR	11.3/5.1	645CG-54-7-GR	11.5/5.2	647CG-54-7-GR	11.5/5.2	N/A	—	N/A	—
60" (152cm)	645ST-60-7	12.6/5.7	647ST-60-7	12.6/5.7	645LE-60-7-GR	13/5.8	647LE-60-7-GR	13/5.8	645CG-60-7-GR	13.2/5.9	647CG-60-7-GR	13.2/5.7	N/A	—	N/A	—

\* Weight shown are actual weights. Shipping weights may vary greatly due to the size of the wheel.

NOTE: 3/4" Tapered Hub for Hydraulic or Powerboat steerers are also available -- Order #1750 - contact customer service for more info.

## Custom Carbon/Wood Laminated Wheels



This exquisite custom wheel features teak and holly wood laminates, together with areas of beautifully clear-coated carbon-weave laminate. The spokes are carefully sculpted into the teak and holly rim for a very comfortable grip for the helmsman, as well as a robust connection of the spokes to the wheel rim. The wheel rim is constructed of alternating layers of teak and holly creating a beautiful contrast of two classic maritime woods. The level of construction and finish in these wheels is unmatched, and as a result, they quickly become the focal point on the finest vessels. These wheels are coated with multiple layers of clear urethane for a mirror finish. They are available with or without Edson's wheel clutch. Custom faceplate engraving available.

- Hubs available in Black Aluminum or Polished Stainless
- 32" (810mm) to 60" (1500mm) diameters standard, other sizes to suit
- Clear coat for a mirror finish

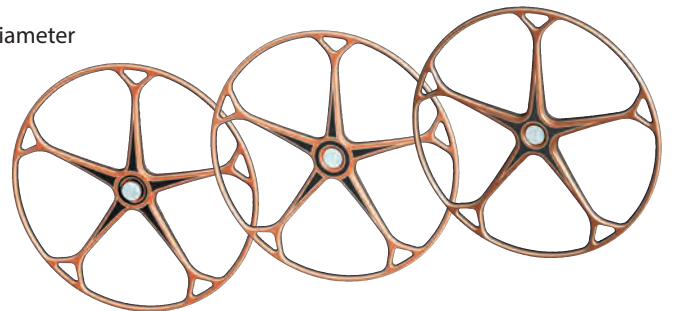
Order #652



Edson's Carbon / Wood Laminated Wheel features alternating layers of Teak, Holly and Carbon Fibre to form a unique blend of traditional and modern building materials. Hand built by master craftsmen, each wheel is custom built to your specifications. You can choose wood to match your boat's brightwork, deck or interior styling. Custom faceplate engraving available.

- 40" (1015mm) - 80" (2030mm) diameter
- Custom inlay designs available

Order #653



## Pro-Series™ Carbon Fiber Wheel



- Ultra-light weight - under 10 pounds!
- Available from 36" (900mm) to 60" (1525mm)
- Large Diameter 1-5/8" wheel rim.
- Virtually no flywheel effect.
- High Gloss Clear Coat Carbon Fibre Finish
- Ergonomic Forked Tri-Spoke Design
- Monocoque Construction for Strength



- 35" Pro-Series Carbon Fibre Wheel - Order #659-0900-35 (6.74lbs / 3.06kg)
- 40" Pro-Series Carbon Fibre Wheel - Order #659-1000-40 (7.36lbs / 3.34kg)
- 44" Pro-Series Carbon Fibre Wheel - Order #659-1100-44 (7.66lbs / 3.47kg)
- 48" Pro-Series Carbon Fibre Wheel - Order #659-1200-48 (7.95lbs / 3.61kg)
- 52" Pro-Series Carbon Fibre Wheel - Order #659-1300-52 (8.25lbs / 3.74kg)
- 55" Pro-Series Carbon Fibre Wheel - Order #659-1400-55 (8.85lbs / 4.02kg)
- 59" Pro-Series Carbon Fibre Wheel - Order #659-1500-59 (9.21lbs / 4.18kg)

## Tri-Spoke Carbon Fiber Wheel

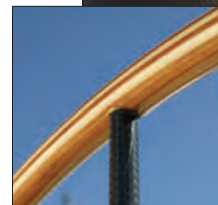


- Reach-Through Design
- Leather Covered Aluminum or Teak and Holly Rims.
- Extremely lightweight
- Virtually no flywheel effect.
- Available from 32" (813mm) to 48" (1219mm) diameter
- Ultra-Modern 3 spoke design.
- Supplied with clear, white or black finish.
- Fits standard Edson 1" tapered wheel shaft.



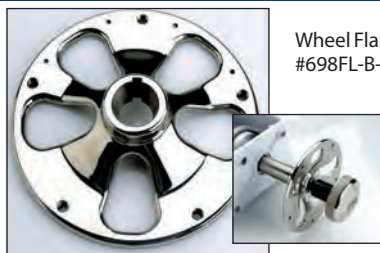
TP-52 Orlanda

- 32" Tri-Spoke Carbon Fiber Wheel - Order #637-32
  - 36" Tri-Spoke Carbon Fiber Wheel - Order #637-36
  - 40" Tri-Spoke Carbon Fiber Wheel - Order #637-40
  - 44" Tri-Spoke Carbon Fiber Wheel - Order #637-44
  - 48" Tri-Spoke Carbon Fiber Wheel - Order #637-48
- Specify LE or CG for Leather or Comfort Grip Rim Cover



Teak & Holly Rim Available!

## Wheel Flange Adapter



Wheel Flange Adapter  
#698FL-B-519



Edson's Wheel Flange Adapter allows Edson's lightweight Diamond Series and Carbon Fiber flanged mount steering wheels to mount directly onto Edson's tapered Wheel Shafts. It is recessed to allow room for tightening the wheel nut and can be used with Edson's convenient Thru-Shaft Wheel Brakes. Investment cast and polished 316 Stainless. Wt. 2 lb (.9 kg).  
Wheel Flange Adapter - Order #698FL (See price page for sizes).

## Ultra-Light Aluminum Wheel

- A favorite on the Grand-Prix Circuit
- Symmetrical and Non-symmetrical designs. (Symmetrical to 66", Non-Symmetrical 68" - 80")
- Sizes from 44" - 80" (111 cm - 203cm).
- Welded construction gives the best in strength and rigidity.
- Black Powder-coated Aluminum construction (custom colors available).
- Extremely lightweight.
- Airfoil-shaped spokes - for rigidity.
- Sleek Dual-Spoke, dished design.
- Fits Edson's Custom Flange Steerers.

44" Ultra-Light Aluminum Wheel - Order #641-44  
 48" Ultra-Light Aluminum Wheel - Order #641-48  
 54" Ultra-Light Aluminum Wheel - Order #641-54  
 60" Ultra-Light Aluminum Wheel - Order #641-60  
 66" Ultra-Light Aluminum Wheel - Order #641-66  
 74" Ultra-Light Aluminum Wheel - Order #641-74  
 80" Ultra-Light Aluminum Wheel - Order #641-80



Swan 45



#698FL-B-929  
 Flange Adapter  
 required  
 (see pg. 46)



Specify Straight  
 or  
 Tapered Shaft

## Diamond Series™ Wheel

- Style, comfort and light weight. Ideal for the racer/cruiser.
- Welded and doweled construction give the best in strength and rigidity.
- Standard finish is a highly durable white baked on urethane.
- Edson recommends that all Diamond Series Wheel rims get covered with #733 CG "Comfort Grip" Leather Wheel Cover.

40" Diamond Series™ Wheel - Order #642-40  
 44" Diamond Series™ Wheel - Order #642-44  
 48" Diamond Series™ Wheel - Order #642-48  
 54" Diamond Series™ Wheel - Order #642-54  
 60" Diamond Series™ Wheel - Order #642-60  
 66" Diamond Series™ Wheel - Order #642-66  
 Specify LE or CG for Leather or Comfort Grip Rim Cover



J-109

Shown with Optional Leather  
 Wheel Rim Cover



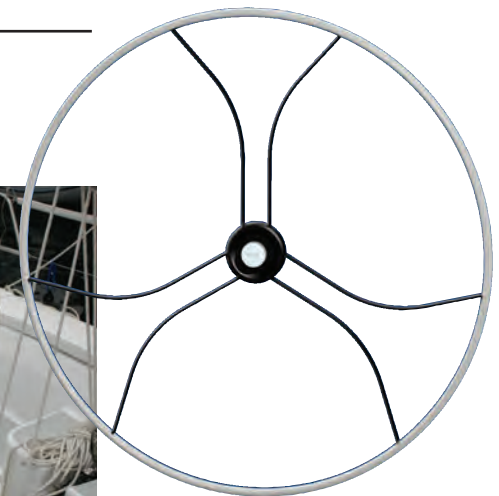
## Double Black Diamond Wheel

- Featuring all new 3x2 six spoke (40" - 48") or 4x2 eight spoke (54") configuration
- Ultra-light weight - under 10 pounds!
- Available in 40" (1016mm) and 54" (1372mm) with additional sizes to fit many popular boats
- Black Powder Coated and comes with Edson's Gray ComfortGrip Leather Wheel Rim Cover
- Direct replacement for 4 and 5 bolt hub patterns (Flange Adapter required - see pg. 46)

40" Double Black Diamond Series - Order #642BD-40  
 44" Double Black Diamond Series - Order #642BD-44  
 48" Double Black Diamond Series - Order #642BD-48  
 54" Double Black Diamond Series - Order #642BD-54



Photo Courtesy J-Boats







## Classic Teak Yacht Wheel with Teak Rim

In production for over 125 years, Edson's Classic Yacht Wheels belong on any classic yacht or stately passagemaker. Created by third-generation master craftsmen, the skills and artistry that go in to making these wheels have been passed down from generation to generation, ensuring a consistency and quality that can only be attained by the hand-crafted talents of their builders.

Although extremely elegant, the Edson Teak Wheels are not just a showpiece for a wall. They are handcrafted to the highest offshore-quality standards, and will provide years of service for the classic yacht. They feature solid teak spokes and felloes rigidly secured with stainless fasteners and holly bungs. The wheel is delivered with varnished inner rim and spokes. The laminated 1" diameter destroyer-type rim is installed with stainless fasteners and teak bungs to the solid teak spokes and is unvarnished, ready for each individual's preferred finish. This creates an elegant wheel that keeps the traditional look yet has a modern appearance and styling.

These wheels will be the centerpiece of your cabin or cockpit and the first thing visitors to your yacht will notice.

Order #603CH (shown)  
Specify Bronze (BR) or Chrome (CH) Hub  
(See ordering guide for sizes)

### Features:

- Offshore Quality
- Hand built by 3rd Generation Craftsmen
- Hub available in Polished Bronze or Chrome
- Fits 1" / 2.5cm straight shafts.
- Made from only the finest teak and cast bronze.
- Matching Stainless Wheel Nut available.
- Precision milled and keyed for exact fit on wheel shaft
- Premium boatbuilders worldwide demand Edson wheels for their boats — you should too!



## Classic Teak Yacht Wheel

Edson's Classic Teak Yacht Wheel is the original. In production for over 125 years, this is a wheel that belongs on any classic yacht or stately passagemaker.

- Offshore-quality wheel.
- Solid teak spokes and fellos rigidly secured with stainless fasteners and holly bungs.
- Hub available in Polished Bronze or Chrome
- Delivered fully varnished.
- Fits 1"/2.5 cm straight shafts only.

Order #601CH

Specify Bronze (BR) or Chrome (CH) Hub  
(See ordering guide for sizes)



## Character Wheel

Edson's Character Wheels are patterned after the traditional heavy cast iron wheels.

- Manufactured in Edson's own foundry.
- Made of lightweight 356-T6 aluminum.
- Heat-treated to T-6 hardness.
- Feature tan baked-on urethane powder coating and varnished teak handles.
- 1"/2.5 cm straight bore only.

Order #688

(See ordering guide for sizes)



## Bronze Wheel w/ Teak Handles

Edson's Bronze Wheel with Teak Handles adds distinction to any traditional boat.

- Manufactured in Edson's own foundry.
- Made of solid Bronze.
- Hand-machined and polished.
- Features varnished teak handles.
- 1"/2.5 cm straight bore only.

Order #602BR

(See ordering guide for sizes)



## Commercial Bronze Wheel

Edson's Commercial Bronze Wheel. Simplicity is the keynote for this rugged wheel.

- Teak handles and a tumbled bronze finish.
- Measures 19"/48 cm tip to tip.
- Provided with 5"/12.7 cm varnished teak handles.
- Available with either a standard 3/4"/1.9 cm taper or a 1"/2.54 cm straight bore.
- Hub thickness is 1 1/8"/2.9 cm.

Tapered Bore – Order #971T-19-750  
Straight Bore – Order #971S-19-100



### EDSON TRADITIONAL WHEEL ORDERING GUIDE

Wheel Size Inches (cm)	601 Teak Wheel Order#	602 Bronze Wheel Order#	603 Teak Rim Wheel Order#	688 Character Wheel Order#
20"(50.8 cm)	n/a	602BR-20	n/a	688-20
22"(55.8 cm)	n/a	602BR-22	n/a	n/a
24"(60.9 cm)	601CH or BR-24	602BR-24	n/a	n/a
25"(63.5 cm)	n/a	n/a	n/a	688-25
26"(66.0 cm)	n/a	602BR-26	603CH or BR-26	n/a
28"(71.1 cm)	601CH or BR-28	602BR-28	n/a	n/a
30"(76.2 cm)	n/a	602BR-30	603CH or BR-30	688-30
32"(81.2 cm)	601CH or BR-32	n/a	n/a	n/a
34"(86.1 cm)	n/a	n/a	603CH or BR-34	n/a
35"(88.9 cm)	n/a	n/a	n/a	688-35
36"(91.4 cm)	601CH or BR-36	n/a	n/a	n/a
38"(99.0 cm)	n/a	n/a	603CH or BR-38	n/a

## Wheel Storage Device

- Make more room in your cockpit when you're not sailing!
  - Store your wheel out of the way with Edson's Wheel Storage Device.
  - Investment cast 316 stainless, polished to a mirror finish
  - Can be mounted vertically or horizontally to any 1" or 1 1/4 diameter pushpit, railing or stanchion.
  - Check your wheel for a straight or tapered hub.
- Straight Hub Wheel Storage Device Only - Order #683-1S  
 Straight Hub/Quick Nut Combo (3/4"-10 nut) - Order #680-3/4-10S  
 Straight Hub/Quick Nut Combo (1"-14 nut) - Order #680-1-14S  
 Tapered Hub Wheel Storage Device Only - Order #683-1T  
 Tapered Hub/Quick Nut Combo (5/8"-18 nut) - Order #680-5/8-18T



Straight Hub Wheel Storage Device #683-1S

w/ Quick Release Wheel Nut #680

Tapered Hub Wheel Storage Device #683-1T

## Wheel Nuts

Attention to detail is the keynote of these Edson Wheel Nuts. Available in highly polished Investment Cast 316 Stainless or traditional Polished Brass. Measure your steering shaft thread for the correct size.

- Stainless Wheel Nut with 1"-14 Shaft Threads - Order #673ST-1-14
- Stainless Wheel Nut with 5/8"-18 Shaft Threads - Order #673ST-5/8-18
- Stainless Wheel Nut with 3/4"-10 Shaft Threads - Order #673ST-3/4-10
- Stainless Wheel Nut Kit (for 1", 5/8", 1/2" & 12mm) - Order #673ST-KIT
- Brass Wheel Nut with 1"-14 Shaft Threads - Order #673BR-1-14
- Brass Wheel Nut with 5/8"-18 Shaft Threads - Order #673BR-5/8-18
- Brass Wheel Nut with 3/4"-10 Shaft Threads - Order #673BR-3/4-10
- "Star" Nut for thru-shaft brake steerers - Order #960-A-2105



Stainless Wheel Nut #673ST



Brass Wheel Nut #673BR



"Star" Nut #960-A-2105

## Quick Release Wheel Nuts

Want to get your wheel out of the way to give you more room in your cockpit at anchor or at the dock? It's easy with Edson's New Quick Release Wheel Nut. Simply give the knurled knob a few turns and pull the wheel off the shaft. No need for other tools or wrenches. Large 2 1/2" diameter provides easy grip. Highly polished Investment Cast 316 Stainless has superior strength as well as good looks. Not for use with thru-shaft brakes. Wt. 1 lb (.45 kg).

- Quick Release Nut with 1"-14 Shaft Threads - Order #826ST-1-14
- Quick Release Nut with 5/8"-18 Shaft Threads - Order #826ST-5/8-18
- Quick Release Nut with 3/4"-10 Shaft Threads - Order #826ST-3/4-10



### IMPORTANT!

Important Ordering Information  
 Many Edson pedestals produced after January 2000 use wheel nuts with 5/8"-18 shaft threads; Edson pedestals built from 1979-1999 use wheel nuts with 1"-14 shaft threads; Edson and Yacht Specialties Pedestals dating prior to 1979 use wheel nuts with 3/4"-10 shaft threads. If your boat was built on or around the year 2000, please check the measurement of your shaft carefully.

# Leather Wheel Rim Covers

## Deluxe Leather Wheel Covering Kits



Edson's do-it-yourself Leather Wheel Covering kits look great and make any wheel softer and warmer to the touch. Each kit includes a pre-punched leather cover, double sided sticky tape, thread, needle and complete instructions. Measure the diameter of your steering wheel and choose from the ordering guide below. Available Dove Gray. Wt. 1.5 lbs (.68 kg)

## "Comfort Grip" Leather Wheel Covering Kits



Create your own luxury steering wheel with Edson's exclusive "Comfort Grip" Leather Wheel Covering Kit. "Comfort Grip" cushions the wheel and has contoured finger grips on the inside of the wheel rim. Measure the diameter of your steering wheel and choose from the ordering guide below. Available in Dove Gray. Wt. 2.2 lbs (1 kg).



Great Gift Idea!

Only Edson uses Orthopedic Grade Cowhide - considered to be the highest quality leather available. It stays supple even when subjected to harsh marine environments!

### LEATHER WHEEL RIM COVER ORDERING GUIDE

Leather Wheel Rim Covers for Edson Flat Destroyer Wheels with older 7/8" diameter oval shaped rims and Diamond Series Wheels (see diagram below)

WHEEL DIAMETER	GRAY LEATHER KIT	GRAY LEATHER COMFORT GRIP KIT	GRAY LEATHER INSTALLED	GRAY LEATHER COMFORT GRIP INSTALLED
up to 20"	#733-15-20-GR	#733CG-15-20-GR	#716-15-20-GR	#716CG-15-20-GR
22" - 30"	#733-22-30-GR	#733CG-22-30-GR	#716-22-30-GR	#716CG-22-30-GR
32" - 40"	#733-32-40-GR	#733CG-32-40-GR	#716-32-40-GR	#716CG-32-40-GR
42" - 60"	#733-42-60-GR	#733CG-42-60-GR	#716-42-60-GR	#716CG-42-60-GR
62" - 72"	#733-62-72-GR	#733CG-62-72-GR	#716-62-72-GR	#716CG-62-72-GR

Leather Wheel Rim Covers for Edson Dished Destroyer Wheels (#645 and #647) or wheels with 1" diameter "D" shaped rims (see diagram below)

WHEEL DIAMETER	GRAY LEATHER KIT	GRAY LEATHER COMFORT GRIP KIT	GRAY LEATHER INSTALLED	GRAY LEATHER COMFORT GRIP INSTALLED
up to 20"	#733-15-20-GR1	#733CG-15-20-GR1	#716-15-20-GR1	#716CG-15-20-GR1
22" - 30"	#733-22-30-GR1	#733CG-22-30-GR1	#716-22-30-GR1	#716CG-22-30-GR1
32" - 40"	#733-32-40-GR1	#733CG-32-40-GR1	#716-32-40-GR1	#716CG-32-40-GR1
42" - 60"	#733-42-60-GR1	#733CG-42-60-GR1	#716-42-60-GR1	#716CG-42-60-GR1
62" - 72"	#733-62-72-GR1	#733CG-62-72-GR1	#716-62-72-GR1	#716CG-62-72-GR1

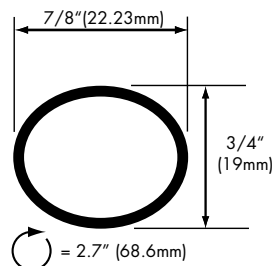


### IDEA

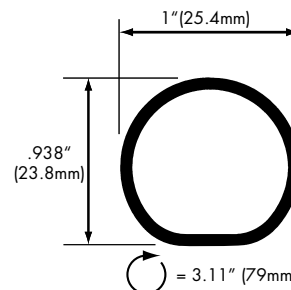
LET EDSON DO THE JOB FOR YOU!

When ordering a new wheel, request an Installed Leather Cover or send us your existing wheel, and Edson will install the Leather Wheel Cover for you—we will even provide a loaner wheel up to 40". See Ordering Guide above for information.

### Older "Oval Shaped" 7/8" Rim (pre-2000)



### Newer "D Shaped" 1" Rim



\*Not shown actual size

# Cockpit Tables

Edson's Cockpit Tables increase the versatility of your Edson Pedestal and turn the cockpit into the social center of your boat. The many different styles available are all constructed of Solid Teak or White Poly and come complete with stainless mounting hardware. Edson's Cockpit Tables have earned the reputation as the highest quality, best built tables on the market!

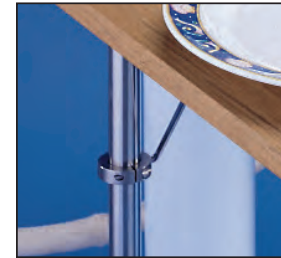
## Fold-Down Drop-Leaf Tables

Edson's Fold-Down Drop-Leaf Tables turn your cockpit into a comfortable dining area. They fold down and clip against the guard when not in use. By simply swinging the table up and clipping the formed wire brackets into place, the table is ready for use.

DIMENSIONS -	Teak: Closed	27" x 13" (686mm x 220mm)
	Open	27" x 26" (686mm x 661mm)
	Poly: Closed	26" x 15" (660mm x 381mm)
	Open	26" x 30" (660mm x 762mm)



Shown varnished - tables are supplied unvarnished.



**NEW!**  
Now Featuring  
Clamp-On Table  
Hardware - No  
Drilling Required!



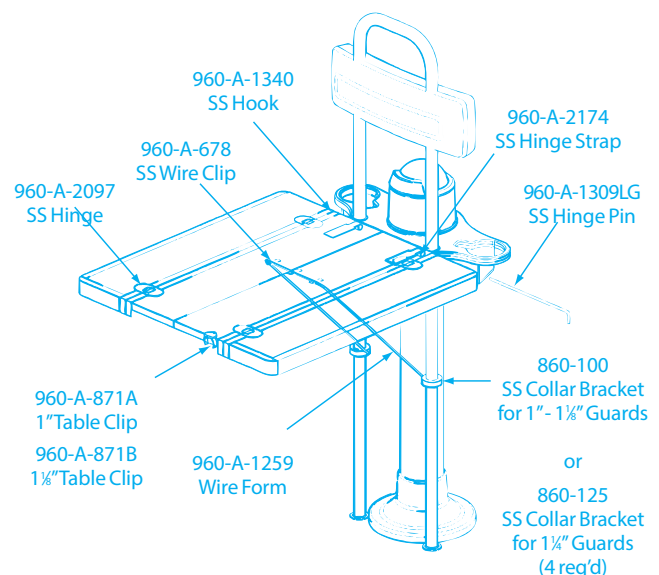
#737WH

### Edson Teak Tables :

- Solid Teak Construction
- Easily removable for storage
- Installs in minutes
- Non-Magnetic Stainless Hardware
- No Legs to get in the way!
- Quick-Release pin for easy removal.
- All Fasteners are Stainless and Bunged.
- Clip holds Table firmly to Pedestal Guard when folded down.
- Natural Teak, ready for the finish of your choice.

### Edson Poly Tables:

- Constructed of solid, UV Stable white marine-grade polythylene.
- Non-Magnetic Stainless Hardware
- Easily removable for storage.
- No Legs to get in the way!
- All Stainless Fasteners
- Will not rot, swell or delaminate when exposed to humidity or moisture.
- Scuff and scratch resistant.



## Fold-Down Luncheon Tables



Teak Luncheon Table - #761TK - see ordering guide for options

Edson's Fold-Down Luncheon Tables are designed to offer a very handy table to fit smaller cockpits and are an ideal cockpit cocktail table. Measuring 13½" x 24" (34.3 x 61 cm) and equipped with fiddle rails on both sides and ends, the Luncheon Table is available in both Teak and White Poly. When not in use, the table folds flat against the guards or can be easily removed from its guard mounted strap by pulling out the hinge pin. Comes complete with all mounting hardware.



Also available with hardware for Console or Vision Series Pedestal Mounting (see ordering guide)



White Poly Luncheon Table - #761WH

## Spare Table Clips

Edson's Fold-Down Tables can be stowed right at the pedestal. By simply swinging the table up and clipping the wire form into place, the table is ready for use. The Fold-Down Tables feature a quick release pin for complete removal. All Edson Fold-Down Tables also come complete with Edson's Table Clip to hold the table securely against the guard when table is down.

Two Spare Table Clips -  
1" - Order #960-A-871-A  
1½" - Order #960-A-871-B



### EDSON COCKPIT TABLE ORDERING GUIDE

Description	Weight Each	Order #
<b>Teak Fold Down Drop Leaf Tables</b>		
For Edson 9½" Guard (1" and 1-1/8" dia. pipes)	25 lbs (11.3 kg)	737TK-95-28
For Edson 9½" Guard (1-1/4" dia. pipes)	25 lbs (11.3 kg)	737TK-95-28-125
For 12½" Guard (1" and 1-1/8" dia. pipes)	25 lbs (11.3 kg)	737TK-125-28
For Vision Series / Console Pedestals	25 lbs (11.3 kg)	737TK-C-28
<b>White Poly Fold Down Drop Leaf Tables</b>		
For Edson 9½" Guard (1" and 1-1/8" dia. pipes)	34 lbs (15.4 kg)	737WH-95-28
For Edson 9½" Guard (1-1/4" dia. pipes)	34 lbs (15.4 kg)	737WH-95-28-125
For Vision Series / Console Pedestals	34 lbs (15.4 kg)	737WH-C-28
<b>Teak Fold Down Luncheon Tables</b>		
For Edson 9½" Guard (1" and 1-1/8" dia. pipes)	13 lbs (5.9 kg)	761TK-95
For Edson 9½" Guard (1-1/4" dia. pipes)	13 lbs (5.9 kg)	761TK-95-125
For Vision Series / Console Pedestals	13 lbs (5.9 kg)	761TK-C-28
<b>White Poly Fold Down Luncheon Tables</b>		
For Edson 9½" Guard (1" and 1-1/8" dia. pipes)	16 lbs (7.3 kg)	761WH-95
For Edson 9½" Guard (1-1/4" dia. pipes)	16 lbs (7.3 kg)	761WH-95-125
For Vision Series / Console Pedestals	16 lbs (7.3 kg)	761WH-C-28



## Cast Stainless Drink Holders



Triple - Guard Mount - Teak Base  
#878TK-3-95



Double - White Poly Base  
#878WH-2

- Cast from solid marine-grade 316 Stainless.
- Available in single, double or triple versions.
- Available with cast stainless brackets for mounting to Edson Steering Pedestal Guard Pipes, within easy reach of captain and crew.
- Also available either alone, for mounting to a flat surface or mounted to a base (white poly or unvarnished teak) for easy portability to a convenient location anywhere on the boat.
- Designed to fit Koozies, cans, mugs and large cups up to 3-3/8" in diameter.
- Elegant design features an open frame to accommodate coffee cup handles.
- Sit 3" high when installed and are highly polished in Edson's classic "boat jewelry" style.
- Well-rounded edges and a sleek design will look great on any boat.
- For installation, an installed threaded stud allows a secure through bolt installation and a locator stud (on single and double versions) keeps them from turning once in place. And since they are cast in marine-grade stainless they won't rust, bend or break.

Single - Vertical Mount  
#878ST-1V



Single  
#878ST-1



Double  
#878ST-2



Triple  
#878ST-3



#878WH-1-125



#878TK-1-125



#878WH-2-125



#878TK-2-125



### STAINLESS DRINK HOLDER ORDERING GUIDE

Order #	Description	Wt lbs (kg)
878ST-1	Stainless Single Drink Holder	.5 (.22)
878ST-1V	Stainless Single Drink Holder - Vertical Mount	.5 (.22)
878WH-1	Stainless Single Drink Holder - White Poly Base	1 (.45)
878TK-1	Stainless Single Drink Holder - Teak Base	1 (.45)
878WH-1-125	Stainless Single Clamp-On Drink Holder - White Poly Base	1 (.45)
878TK-1-125	Stainless Single Clamp-On Drink Holder - Teak Base	1 (.45)
878ST-2	Stainless Double Drink Holder	1 (.45)
878WH-2	Stainless Double Drink Holder - White Poly Base	1.5 (.68)
878TK-2	Stainless Double Drink Holder - Teak Base	1.5 (.68)
878WH-2-125	Stainless Double Clamp-On Drink Holder - White Poly Base	1.5 (.68)
878TK-2-125	Stainless Double Clamp-On Drink Holder - Teak Base	1.5 (.68)
878ST-3	Stainless Triple Drink Holder	2 (.9)
878WH-3	Stainless Triple Drink Holder - White Poly Base	3 (1.4)
878TK-3	Stainless Triple Drink Holder - Teak Base	3 (1.4)
878WH-3-95	Stainless Triple Drink Holder - White Poly Base - Guard Mount	3.5 (1.6)
878TK-3-95	Stainless Triple Drink Holder - Teak Base - Guard Mount	3.5 (1.6)

NOTE: Guard Mount hardware is designed to fit 1", 1-1/8" and 1-1/4" guard pipes.

## Index by Product Name

Articu-Lock™ Sheaves.....	20	Engine Controls.....	34-37	Quadrants.....	24-25	Tiller Heads.....	41
Autopilot Adapters.....	28-29	Engine Control Cables.....	37	Quick Release Nuts.....	50	Top Plates.....	35
Brake, Pedestal Steerers.....	23	Eye Bolts.....	19	Rack and Pinion Steerers.....	40	Traditional Steerers.....	40
Bulkhead Steerers.....	14-15	Glass Holders.....	54	Radial Drive Wheels.....	23	Transom Steerer.....	30
CD-i Steering Systems.....	10-11	Guard Foot.....	32	Sheaves.....	22	Ultra-Light Racing System.....	17
Cables, Engine Control.....	37	Guards, Pedestal.....	32	Shelf Steerers.....	16	Vision Series Pedestals.....	9-13
Cables, Steering.....	18	Idlers.....	21	Single-Lever Engine Controls.....	36	Wheel Accessories.....	50-51
Chain.....	18	Internal Steerers.....	14-17	Steering Wheels.....	42-49	Wheel Adapters.....	46
Clevises, Engine Control.....	37	Key Stock.....	25	Stuffing Box/Bearing.....	41	Wheel Hubs.....	40
Compasses.....	38	Leather Wheel Rim Covers.....	51	Sprockets.....	30	Wheel Nuts.....	50
Compass Accessories.....	39	Maintenance Kits.....	31	Tables.....	52-53	Wheels, Steering.....	42-49
Conduit, Pull-Pull.....	26	Pedestal Rebuild Kits.....	31	Take-Up Eyes.....	19	Wheel Storage Device.....	50
Conduit Brackets.....	26-27	Pedestal Steerers.....	8-13	Teak Wheels.....	43, 45, 49	Wire Rope.....	18
Custom Steering Systems.....	6-7	Pedestal Guards.....	32	Thimbles.....	19	Wire Rope Clamps.....	19
Destroyer Wheels.....	10-12	Pedestal Risers.....	33	Throttle Handles.....	37	Worm Gear Steerers.....	50
Drink Holders.....	54	Pull-Pull Steering.....	26-27	Tiller Arms.....	28-29		

## Index by Product Number

Product #	Page	Product #	Page	Product #	Page	Product #	Page
310.....	32	630.....	19	698.....	46	836.....	29
312.....	31	632.....	19	711.....	21	841.....	27
313.....	36	633.....	19	712.....	21	842.....	25
314.....	31	634.....	19	713.....	21	847.....	22,26
315.....	35	635.....	19	714.....	33	853.....	24
316.....	31,33	636.....	30	716.....	51	854.....	26
332.....	30	637.....	46	730.....	19	855.....	30
333.....	31	641.....	47	733.....	51	856.....	39
336.....	8,13	642.....	47	734.....	37	868.....	27
402.....	8,12	643.....	19	735.....	37	870.....	34
408.....	16	645.....	43	736.....	19	878.....	54
418.....	15	646.....	33	737.....	52-53	881.....	26
419.....	15	647.....	43	751.....	35	882.....	40
420.....	14	649.....	44	761.....	53	885.....	18
421.....	14	652.....	45	773.....	19	886.....	18
425.....	17	653.....	45	774.....	18	904.....	27
435.....	17	658.....	38	776.....	21	910.....	36
440.....	16	659.....	46	777.....	23	918.....	27
441.....	516	665.....	19	797.....	26	925.....	9
450.....	11	667.....	40	799.....	27	926.....	28-29
464.....	8,11	669.....	39	800.....	23	960.....	32,37,41,50,53
476.....	13	672.....	39	802.....	23	962.....	26
490.....	13	673.....	50	804.....	23	963.....	37
601.....	49	676.....	24	805.....	37	965.....	41
602.....	49	680.....	50	810.....	37	971.....	49
603.....	49	683.....	50	813.....	33	1405.....	38
617.....	29	684.....	25	816.....	34	1600.....	32
618.....	19	688.....	49	817.....	39	1610.....	32
620.....	22	689.....	33	824.....	27	1620.....	32
621.....	22	690.....	33	825.....	33	1625.....	32
622.....	20	693.....	39	826.....	50	1660.....	36
624.....	22	694.....	39	827.....	27,31	2150.....	38
626.....	20	697.....	41	835.....	24	2470.....	31



# EDSON®

## Traditional Steering Systems & Accessories



# Traditional Steering Wheels

These beautifully crafted wheels are designed to provide years of service and pleasure to the boat owner who appreciates fine workmanship. For yachts, work boats or fishing boats, all wheels are individually handmade from thoroughly seasoned stock and the highest quality marine-grade bronze and aluminum. Teak is carefully selected for matching grain and color. Rims and felloes are rigidly secured by stainless fastenings with holly bungs.



## Classic Teak Yacht Wheel

Edson's Classic Teak Yacht Wheel is the original. In production for over 125 years, this is a wheel that belongs on any classic yacht or stately passagemaker.

- Offshore-quality wheel.
- Solid teak spokes and felloes rigidly secured with stainless fasteners and holly bungs.
- Hub is available in highly polished and chrome plated bronze.
- Delivered fully varnished.
- 1"/2.5 cm straight bore only.

**Order #601**

**Specify Bronze(BR) or Chrome(CH) Hub**  
(See ordering guide for sizes)



## Teak Yacht Wheel w/ Teak Rim

Edson's Teak Yacht Wheel combines the beauty of the traditional teak wheel with the functionality of a destroyer wheel.

- Laminated 1" dia. Teak Destroyer-type rim installed with stainless fasteners and holly bungs on the solid teak spokes.
- Hub is available in highly polished and chrome plated bronze.
- Delivered with varnished inner rim and spokes. Outer rim is unfinished, ready for each individual's preferred finish.
- 1"/2.5 cm straight bore only.

**Order #603**

**Specify Bronze(BR) or Chrome(CH) Hub**  
(See ordering guide for sizes)



## Bronze Wheel w/ Teak Handles

Edson's Bronze Wheel with Teak Handles adds distinction to any traditional boat.

- Manufactured in Edson's own foundry.
- Made of solid bronze.
- Hand-machined and polished.
- Features varnished teak handles.
- 1"/2.5 cm straight bore only.

**Order #602BR**

(See ordering guide for sizes)



## Tan Character Wheel

Edson's Character Wheels are patterned after the traditional heavy cast iron wheels.

- Manufactured in Edson's own foundry.
- Made of lightweight 356 aluminum.
- Heat-treated to T-6 hardness.
- Feature tan baked-on urethane powder coating and varnished teak handles.
- 1"/2.5 cm straight bore only.

**Order #688**

(See ordering guide for sizes)



See Edson's Full Marine Catalog for Additional Steering Wheels

## Commercial Bronze Wheel

Edson's Commercial Bronze Wheel. Simplicity is the keynote for this rugged wheel.

- Teak handles and a tumbled bronze finish.
- Measures 19"/48 cm tip to tip.
- Provided with 5"/12.7 cm varnished teak handles.
- Available with either a standard 3/4"/1.9 cm taper or a 1"/2.54 cm straight bore.
- Hub thickness is 1 1/8"/2.9 cm.

**Tapered Bore – Order #971-19-750T**  
**Straight Bore – Order #971-19-100S**



### EDSON TRADITIONAL WHEEL ORDERING GUIDE

Wheel Size Inches (cm)	Teak Wheel Order #	Bronze Wheel Order #	Teak Rim Wheel Order #	Character Wheel Order #
20" (50.8 cm)	n/a	602BR-20	n/a	688-20
22" (55.8 cm)	n/a	602BR-22	n/a	n/a
24" (60.9 cm)	601CH or BR-24	602BR-24	n/a	n/a
25" (63.5 cm)	n/a	n/a	n/a	688-25
26" (66.0 cm)	n/a	602BR-26	603CH or BR-26	n/a
28" (71.1 cm)	601CH or BR-28	602BR-28	n/a	n/a
30" (76.2 cm)	n/a	602BR-30	603CH or BR-30	688-30
32" (81.2 cm)	601CH or BR-32	n/a	n/a	n/a
34" (86.1 cm)	n/a	n/a	603CH or BR-34	n/a
35" (89 cm)	n/a	n/a	n/a	688-35
36" (91.4 cm)	601CH or BR-36	n/a	n/a	n/a
38" (99.0 cm)	n/a	n/a	603CH or BR-38	n/a

n/a - wheel not available in this size. All Wheel Hubs have 1" Straight Bore 2 3/8" Long, 1/4" Kevlar

# Wheel Accessories

## Brass & Stainless Wheel Nuts

Attention to detail is the keynote of these Edson Wheel Nuts. Available in highly polished Investment Cast 316 Stainless or traditional Polished Brass. Measure your steering shaft thread for the correct size (1"-14 is standard size since 1979).

**Stainless Wheel Nut with 1"-14 Shaft Threads - Order #673ST-1-14**

**Stainless Wheel Nut with 5/8"-18 Shaft Threads - Order #673ST-5/8-18**

**Stainless Wheel Nut with 3/4"-10 Shaft Threads - Order #673ST-3/4-10**

**Brass Wheel Nut with 1"-14 Shaft Threads - Order #673BR-1-14**

**Brass Wheel Nut with 5/8"-18 Shaft Threads - Order #673BR-5/8-18**

**Brass Wheel Nut with 3/4"-10 Shaft Threads - Order #673BR-3/4-10**



Stainless Wheel Nut  
#673ST



Brass Wheel Nut  
#673BR

## Wheel Hubs

Make your own traditional mahogany or teak wheels. Available in polished or chrome plated bronze castings. Two-piece design allows for easy assembly.

**See Ordering Guide.**

### WHEEL HUB ORDERING GUIDE

For Wheels Sizes:	Bronze Hub	Chrome Hub	Hub O.D.	No. of Spokes	Spoke Size
20" /50.1 cm - 26" /66 cm	Order # 667BR-2	Order # 667CH-2	4" (10.2 cm)	6	1.25" (3.2 cm)
28" /71 cm - 34" /86 cm	Order # 667BR-4	Order # 667CH-4	5 1/2" (13.9 cm)	8	1.375" (3.5 cm)
36" /91.4 cm - 42" /106.7 cm	Order # 667BR-6	Order # 667CH-6	6" (16.5 cm)	8	1.375" (3.5 cm)



Chrome Hub  
#667CH



Bronze Hub  
#667BR

## Teak Handles

These varnished teak handles can be used on home built wheels to replace original handles for a finished look. Complete with 3/8"-16 stainless carriage bolts. These are the same Handles as those used on Edson's #602, #688 and #971 Traditional Wheels.

**3 1/2" Teak Handle w/Stainless Carriage Bolt - Order #882-350**

**4" Teak Handle w/Stainless Carriage Bolt - Order #882-400**

**4 1/2" Teak Handle w/Stainless Carriage Bolt - Order #882-450**

**5" Teak Handle w/Stainless Carriage Bolt - Order #882-500**



Teak Handles  
#882

## Wheel Adapters

Edson's Wheel Adapter is a real problem solver. Made of brass and finished with a stainless locking pin and a 1/4" stainless wheel key, the adapter is ideal for installing Edson wheels on other steerers. It's simple and it's strong. Be sure to tell us the make and model of your steerer. Call Edson Customer Service and request Engineering Bulletin EB-95-214-2 for information on the correct adapter for your steerer. Suitable for wheels up to 30" diameter.

**Order Part No. 698 (See Price Page).**



**Part No. 698 Wheel Adapters**  
For Wheel Adapters Data Sheet EB-95-214, write or call Edson Customer Service.

### Most Popular Sizes:

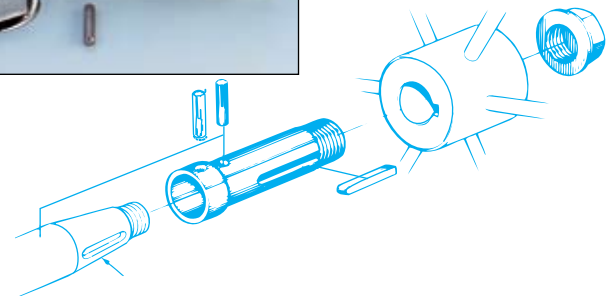
**#698-A-306-1** 3 1/2" taper per foot; 5/8"-18 thread (Standard Morse Taper)

**#698-A-306-2** 3/4" taper per foot; 1/2"-20 thread (Standard Teleflex Taper)

**#698-A-338** 3/4"-16 thread; slight taper

**#698-A-340** 3/4" straight shaft

**#698-A-639** 3/4" taper; 5/8"-18 thread



# Rack and Pinion Steerers

- Powerful, compact and sensitive steerers.
- Provides positive rudder feedback.
- Rugged construction of bronze alloys and stainless steel.
- 1" Stainless Wheel Shaft fits all Edson Steering Wheels.
- Available for Transom-Hung or Inboard Rudders.

Contact Edson for help in designing the right rack and pinion for your boat. Just send us the top and side view construction drawings of your boat. If they are not available, a simple sketch with dimensions and a photograph will do.

**INSTALLATION GUIDELINES:** For comfortable, reliable steering the top of the wheel should be located about 32" (81.3 cm) up from the cockpit sole. The seat should be low enough so the helmsman's feet are firmly planted on the cockpit floor or other brace.

Boats with rudderposts located low in the cockpit can use the #782 Rudderpost Extender and #675 Coupling to raise the steering assembly to the required height.

**MAINTENANCE:** Minimal, once a month maintenance will provide years of trouble-free performance. Oil shaft bearings with #30 motor oil. Use a light application of #827 Teflon Lubricant on the gear teeth and contact point of the adjusting arm. Universal joints should be packed in grease and booted. Daily inspection is recommended.

**WHEN ORDERING:** Please state the Part # and Size of the Rack and Pinion Steerer you are ordering. It is also important to include your type of boat and a description. In the case of inboard steerers, the rudderpost diameter and key size should be included. Also, state the "A" dimension or wheel shaft length that best fits your installation. **NOTE:** The "A" dimension is the distance between the centerline of the rudderpost to the aft side of the wheel. When determining your wheel shaft length, include the thickness of the face of your wheel box, allowing space for an autopilot and/or a brake (#783 Brake requires 2 1/2"). Edson will machine your steerer to fit the rudderpost in your boat if you supply us with the dimensions of your rudderpost and key sizes. **NOTE:** The rudderpost keyway will be located on the quadrant side unless otherwise specified.

## Rack & Pinion Steerers for Transom Hung Rudders

**Edson's Transom Hung Rudder Steerer** is designed for boats up to 38' with outboard rudders. It has 1.6 turns of the wheel through 70° of rudder travel. When used with a 22" diameter wheel it has the same mechanical advantage as a 7 1/2'-long tiller. Wt. 26 lbs (11.8 kg).

**Order #341-9** (See Selection Guide).

**Edson's Heavy Duty Transom Hung Rudder Steerer** is for boats up to 48' and will fit rudderstocks up to 3 1/2" thick. It has 2.8 turns of the wheel through 80° of rudder travel and will approximate a 15' long tiller. Wt. 38 lbs (17.2 kg).

**Order #341-14** (See Selection Guide).

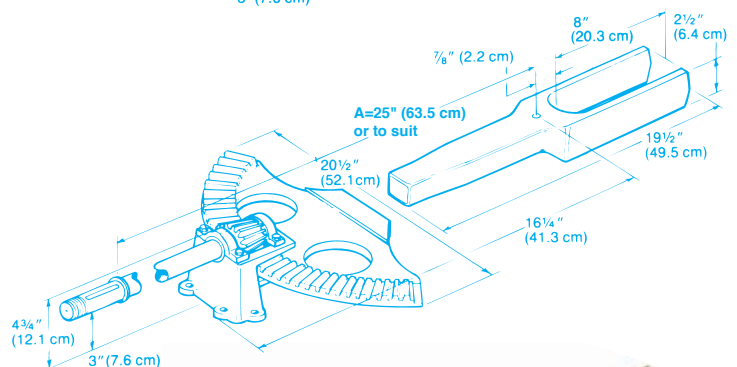
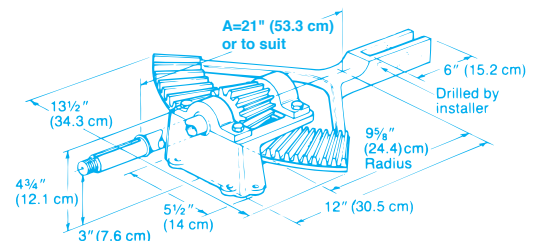
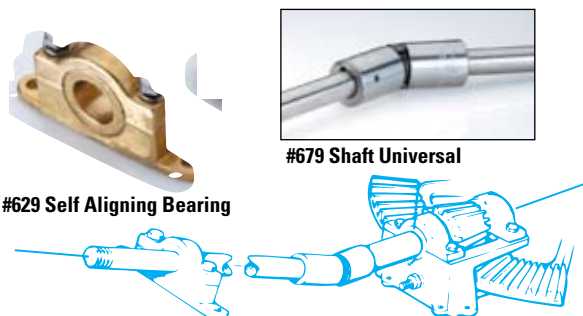
### TRANSOM HUNG RACK & PINION STEERERS ORDERING GUIDE

RUDDERSTOCK THICKNESS		STANDARD ORDER #	WEIGHT		HEAVY DUTY ORDER #	WEIGHT	
inches	cm		lbs	kg		lbs	kg
1 1/4"	4.4	341-9-175	24	10.9			
2 1/4"	5.7	341-9-225	25	11.3	341-14-225	36	16.3
2 3/4"	7.0	341-9-275	26	11.8	341-14-275	38	17.2
3 1/2"	8.9	341-9-350	28	12.7	341-14-350	40	18.2

**NOTE:** "Size" is determined by the thickness of the rudderstock. For example, Size 14-225 means a 14" radius steerer for a 2 1/4" (2.25") thick rudderstock. If in doubt about the fit, order the next size up and shim sides of the jaws if necessary. The jaws are drilled when installing.

### Angling Your Rudder Shaft

**Edson's Shaft Universal and Self-Aligning Bearings** are useful for rack and pinion steering installations on boats with heavily raked rudderposts. The #679 Shaft Universal and the #629 Self Aligning Bearings will allow you to change the angle of the wheel shaft by up to 30°. Refer to page 9 for dimensions and ordering information.



Part No. 341-14



# Rack and Pinion Steerers

## Forward Mounted Rack and Pinion Steerers for Inboard Rudders

Edson's Forward Mounted Rack and Pinion Steerers are designed for boats up to 48' with inboard rudders that have limited space aft of the rudderpost. These rugged and compact steerers are usually found on the more traditionally designed vessels where rudder feedback is desired.

The #347-9 Steerer will accommodate boats up to 38' with 1.8 turns through 80° of rudder travel. The #347-14 Steerer should be used on boats 38' to 48' in length and has three turns of the wheel through 90° of rudder travel. The rudderpost diameter determines the size of rack and pinion steerers for inboard rudders. Refer to the selection guide below.

Order #347-9 or #347-14 (See Chart).

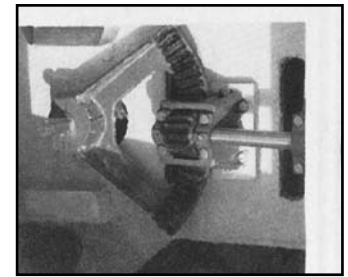
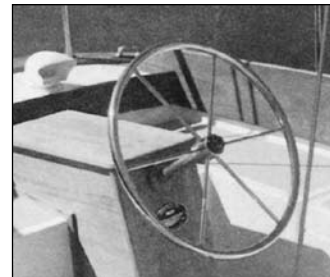


Part No. 347-9 shown

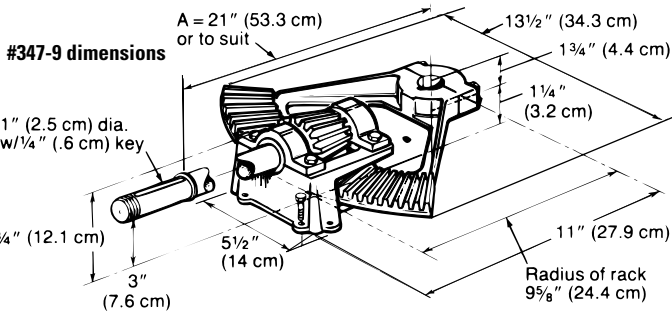
### FORWARD MOUNTED RACK & PINION STEERERS ORDERING GUIDE

Size	Rack Radius		Pilot Bore		Max. Bore		Max. Size Keyway		Weight Each	
	in	cm	in	cm	in	cm	in	cm	lbs	kg
9-24	9	22.86	1	2.54	1 <sup>1</sup> / <sub>16</sub>	4.60	3/ <sub>8</sub>	.95	18	8.2
9-610	9	22.86	1 <sup>1</sup> / <sub>2</sub>	4.76	3 <sup>1</sup> / <sub>2</sub>	8.89	1/ <sub>2</sub>	1.27	22	10.0
9-14	9	22.86	3 <sup>3</sup> / <sub>8</sub>	9.21	5	12.70	5/ <sub>8</sub>	1.59	28	12.7
14-24	14	35.56	1	2.54	1 <sup>1</sup> / <sub>16</sub>	4.60	3/ <sub>8</sub>	.95	24	10.9
14-610	14	35.56	1 <sup>1</sup> / <sub>2</sub>	4.76	3 <sup>1</sup> / <sub>2</sub>	8.89	1/ <sub>2</sub>	1.27	28	12.7
14-14	14	35.56	3 <sup>3</sup> / <sub>8</sub>	9.21	5	12.70	5/ <sub>8</sub>	1.59	32	14.7

NOTE: Specify rudderpost size, keyway size, and location. (For specials see Part No. 946 on price page.) Weights may vary due to wheel shaft lengths.

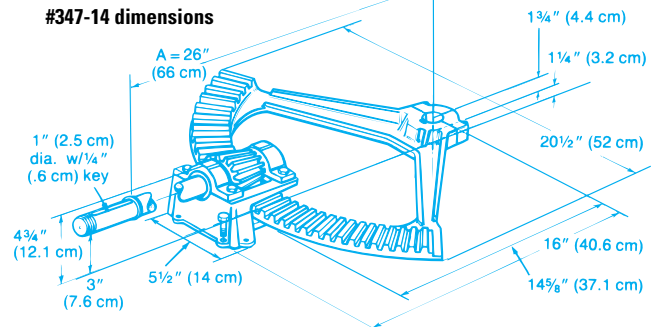


These photos show the simplicity and utility of a Rack and Pinion Installation. Cover box makes an excellent helmsman seat with a hinged top for quick maintenance and inspection.



NOTE: The "A" dimension is the distance between the centerline of the rudderpost to the aft side of the wheel.

### #347-14 dimensions



## Aft Mounted Rack and Pinion Steerers for Inboard Rudders

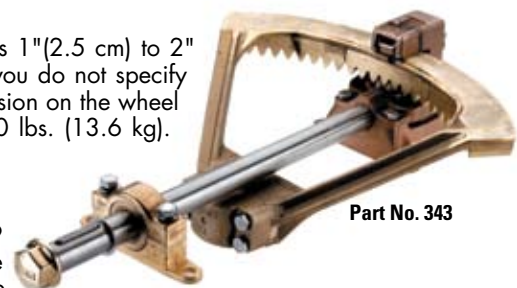
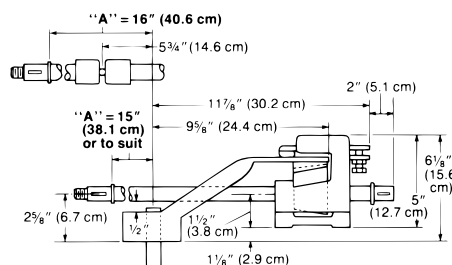
Edson's Rack and Pinion Steerers are designed for boatowners who require more cockpit space and rudder feedback and a safe, strong, dependable unit. These aft mounted Rack and Pinion Steerers are designed specifically for vessels that have a minimum of 12" (30.5 cm) of space aft of the rudderpost and where cockpit design requires the wheel to be mounted close to the rudderpost. These steerers take up less than one third of the cockpit space of a tiller, yet the precision cast gears provide the helmsman with all the "feel" and feedback generally associated with a tiller.

Edson's Aft Mounted Rack and Pinion Steerer for use on aft raked rudderposts 1" (2.5 cm) to 2" (5.1 cm) diameter with a maximum key of 3/8" (1 cm) on the rudderpost. If you do not specify bore, the rack will be furnished with a 7/8" (2.2 cm) pilot bore. The "A" dimension on the wheel shaft is standard at 15" (38.1 cm) or is available to, suit. Steerer weight 30 lbs. (13.6 kg). Included is one 1" (2.5 cm) Part No. 629 Bearing.

Order #343-1.

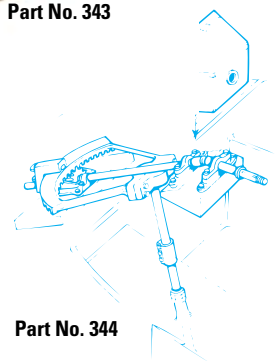
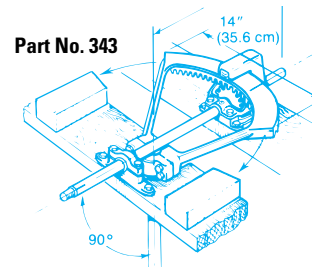
For severely aft raked rudderposts Edson's #344 steerer comes with a #679 Shaft Universal and two #629 1" (2.5 cm) Self-Aligning Bearings. The universal joint included with this steering system allows you to adjust the steering wheel through a 30° arc. Wt. 34 lbs. (15.4 kg).

Order #344-1.



Part No. 343

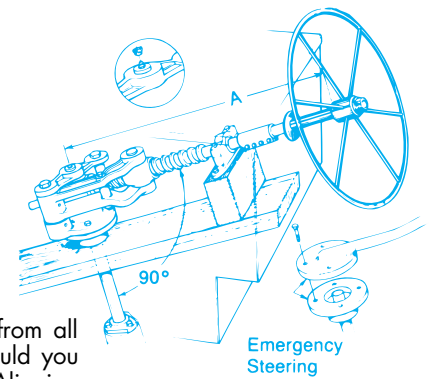
### Part No. 343



Part No. 344

# Worm Gear Steerers

- Classic Design - used for over 100 years on traditional boats.
- Extremely rugged
- No rudder feedback - designed for long-keeled cruisers.
- Rugged construction of bronze alloys and stainless steel.
- 1" Stainless Wheel Shaft fits all Edson Steering Wheels.
- Replaceable Babbitt threads.
- Stub shaft for easy installation of an autopilot.
- Sizes for boats from 35' to 85' (10 to 26 meters).



**WHEN ORDERING:** Worm steerer installations must be well designed and well thought out from all standpoints. The system is mounted at 90° to the rudderpost and is rigid at this point. Should you require a different angle to your wheel, refer to Edson's #679 Shaft Universal. The #629 Self-Aligning Bearing supplied with the gear must be well bolted down to a timber or strong moldment. It is recommended that the top of the wheel rim be 31" (79 cm) to 33" (84 cm) up from the cockpit floor. This will allow you to stand beside the wheel without reaching down to it, and will put the wheel at a convenient height when sitting in back of it or alongside it.

When ordering, advise Edson of the rudderpost bore diameter, keyway size and keyway position - these will be machined by Edson. You will note the standard "A" dimensions on the schematic drawings which relate to shaft length. If a longer or shorter shaft length is required, please advise. *If in doubt as to steerer size or if the boat is heavy, go to the next larger size. Do not compromise on the size.*

**MAINTENANCE:** For maintenance of all Edson Steering Systems we recommend using #30 oil on all pivot points, and water pump grease on the worm itself and on the grease fitting on the center of the steerer. Check the flange alignment by loosening the four bolts on the top of the steerer and check as you would on a propeller shaft coupling. The 90° angle is extremely important and this point will cause binding if not correctly aligned. Inspect and oil frequently.

## WORM STEERER ORDERING GUIDE

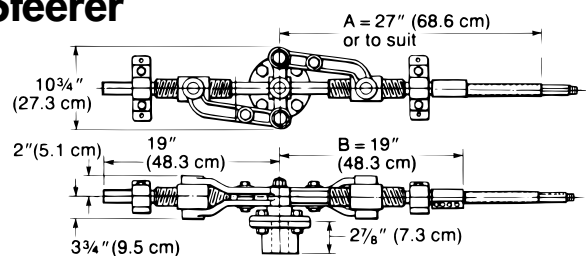
Steerer Size	Turns Hard-Over to Hard-Over in 90°	Overall Length of Boat	Rudderpost Bores	Approx. Steerer Weight
Simplex 00	3.25	35' (10.7 m)	1" (2.5 cm) Pilot, 1 3/4" (4.4 cm) max.	33 lbs (15 kg)
Simplex 0	3.75	35-45' (10.7-13.7 m)	1" (2.5 cm) Pilot, 2" (5.1 cm) max.	48 lbs (21.8 kg)
Simplex 1	4.50	45-55' (13.7-16.8 m)	1 1/2" (2.9 cm) Pilot, 2 1/2" (6.4 cm) max.	72 lbs (32.7 kg)
Meteor 1	4.50	45-65' (13.7-19.8 m)	1 1/2" (2.9 cm) Pilot, 2 1/2" (6.4 cm) max.	120 lbs (54.5 kg)
Robinson 2	6.0	65-85' (19.8-25.9 m)	2 1/2" (6.4 cm) Pilot, 3" (8.3 cm) max.	230 lbs (104.4 kg)

If in doubt as to steerer size, if the boat is very heavy, or if the boat is to be sailed offshore, go to the next larger size. Your naval architect must be consulted as to the final selection. Wheel shaft is sized to fit wheel hubs with 1" (2.5 cm) bores, with 2 1/2" (6 cm) hub lengths and 1/4" (.6 cm) keyway.

## Meteor Worm Steerer

**Edson's Meteor Worm Steerer.** This steerer was originally designed for Kaiser Wilhelm's Yacht *Meteor* which was designed to race against *Britannia*. The Meteor is a rugged steerer with "twin" arms for optimum strength and is designed for boats in the 45-65 foot (13.7-19.8 meter) range with room both forward and aft of the rudderpost. *Wt. 128 lbs (58.1 kg).*

**Order #390-1.**



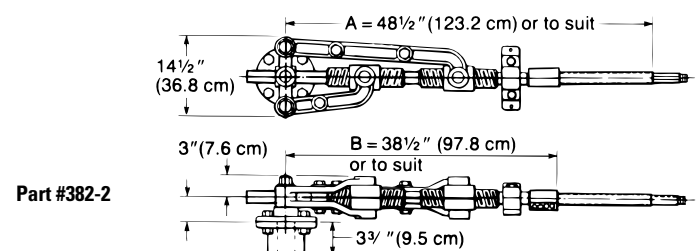
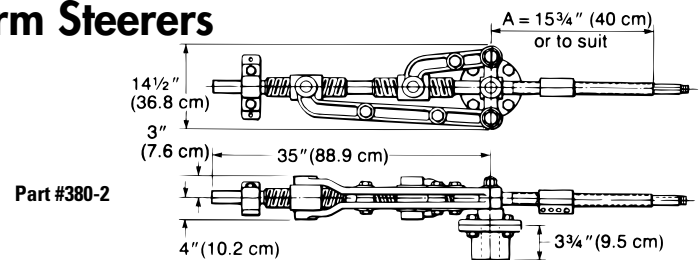
## Robinson Worm Steerers

**Edson's Robinson Worm Steerer.** This steerer features the same rugged construction and "twin" arms as the Meteor Steerer but has larger gears to give you more turns of the wheel hard-over to hard-over. The Part No. 380 Steerer is designed with the "worm" on the aft side of the rudderpost and requires a minimum of 35" (89cm) aft rudderpost. It is recommended for boats in the 65-85 foot (19.8-25.9 meter) range. *Wt. 230 lbs (104.4 kg).*

**Order #380-2.**

**Robinson Worm Steerer.** This is virtually identical in design to the Part No. 380 Steerer with the major difference being that the "worm" is located forward of the rudderpost. This makes the Part No. 382 ideal for boats with limited space aft of the rudderpost and is recommended for boats in the 65-85 foot (19.8-25.9 meter) range. *Wt. 230 lbs (104.4 kg).*

**Order #382-2.**

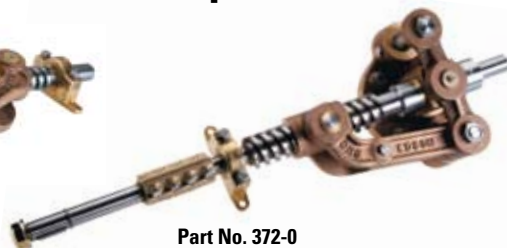


# Worm Gear Steerers

## Simplex Worm Steerers



Part No. 370-00



Part No. 372-0



Part No. 370-1

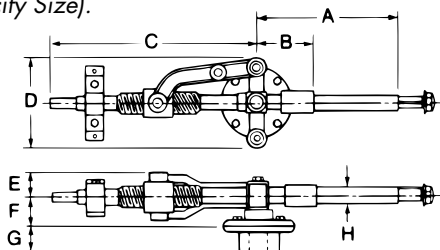
### WORM AFT OF RUDDERPOST

**Edson's Simplex Worm Steerer.** Designed for the traditional cruising sailboat. There are three sizes available to suit boats from 22' (6.7 m) to 55' (16.8 m). Part No. 370 Worm Steerer is configured with the actual gear working on the aft side of the rudderpost. Size 00 requires a *minimum* of 14¼" (36.2 cm) and size 1 requires a *minimum* of 19" (48.3 cm) of space aft of the rudderpost, which is shown as the "C" dimension on the chart below.

**Order #370** (Specify Size).

**Edson's Simplex Worm Steerer.** Same as Part No. 370 except that it is supplied with a universal assembly and an extra bearing, and the "A" dimension is about 2½" (6.4 cm) longer than the Part No. 370 fixed shaft steerer.

**Order #371** (Specify Size).



PART #370 DIMENSIONS

Size	A	B	C	D	E	F	G	H
00	14¼" (36.2 cm)	6¼" (15.9 cm)	14¼" (36.2 cm)	7" (17.8 cm)	1¾" (4.4 cm)	2¼" (5.7 cm)	2" (5.1 cm)	1" (2.5 cm)
0	15" (38.1 cm)	7" (17.8 cm)	16" (40.6 cm)	9" (22.9 cm)	2⅝" (5.4 cm)	¾" (8.3 cm)	2⅝" (5.9 cm)	1" (2.5 cm)
1	16" (40.6 cm)	8" (20.3 cm)	19" (48.3 cm)	13" (33 cm)	2⅞" (5.6 cm)	¾" (9.5 cm)	2¼" (7 cm)	1½" (3.8 cm)

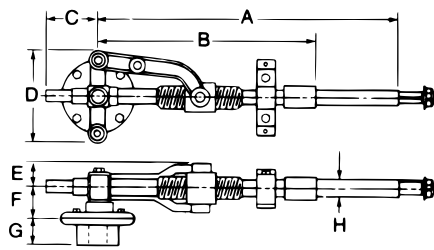
### WORM FORWARD OF RUDDERPOST

**Edson's Simplex Worm Steerer.** Edson engineers designed this steerer with the working gear on the forward side of the rudderpost. This feature allows you to install this steering system on a yacht having as little as 5" – 6" (12.7 cm – 15.2 cm) of space aft of the rudderpost (see "C" dimension in chart below), depending on the size of the worm gear.

**Order #372** (Specify Size).

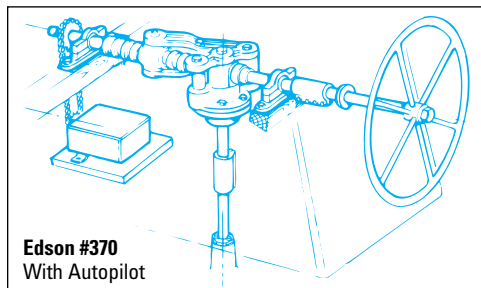
**Edson's Simplex Worm Steerer.** Same as Part No. 372 except that it is supplied with a universal assembly and an extra bearing and the "A" dimension is about 2½" (6.4 cm) longer than the Part No. 372 fixed shaft steerer.

**Order #373** (Specify Size).

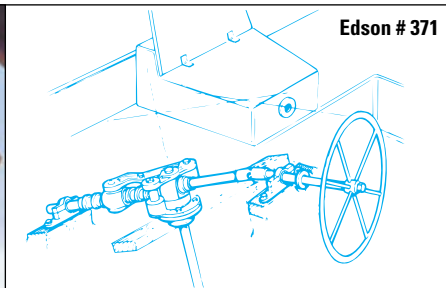


PART #372 DIMENSIONS

Size	A	B	C	D	E	F	G	H
00	24¼" (61.6 cm)	16¼" (41.3 cm)	4½" (11.4 cm)	7½" (19.1 cm)	1¾" (4.4 cm)	2¼" (5.7 cm)	2" (5.1 cm)	1" (2.5 cm)
0	26" (66 cm)	18" (45.7 cm)	5" (12.7 cm)	9" (22.9 cm)	2⅝" (5.4 cm)	¾" (8.3 cm)	2⅝" (5.9 cm)	1" (2.5 cm)
1	29" (73.7 cm)	21" (53.3 cm)	6" (15.2 cm)	13" (33 cm)	2⅞" (5.6 cm)	¾" (9.5 cm)	2¼" (7 cm)	1½" (3.8 cm)



Edson #370  
With Autopilot



Edson #371

### Three typical Simplex Worm Steerer installations

**INSTALLATION:** The following guidelines should be observed when installing an Edson Worm Steerer:

- 1.) Make sure that the height of the top of the wheel rim is approximately 32" (81.3 cm) off the cockpit sole.
- 2.) Design a helmsman's seat to cover and protect the worm gear and that allows easy access to the gear for inspection and maintenance. The height of the helmsman seat should allow you to firmly plant your feet on the cockpit sole so you do not cut off the circulation in your legs.
- 3.) When installing the rudderpost flange to the flange on the

worm gear, the alignment is as critical as the alignment of your propeller shaft coupling. You should check with a .002" (.05 mm) feeler gauge. Improper alignment will cause binding at the extreme ends of travel.

**WHEN ORDERING:** Please supply Edson with the diameter of the rudderpost and the key size. Also, if you would like a shaft length ("A" dimension) shorter or longer than standard, please specify, otherwise we will ship standard length shafts.

# Accessories For Geared Steerers

## Edson's Shaft Mount Brake with Stainless Knob.

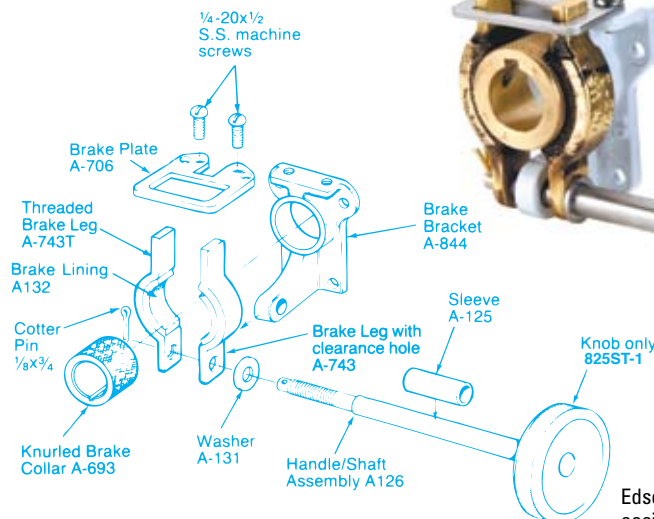
One of our most popular accessories for wheel steerers, we designed this brake especially for Rack and Pinion and Worm Steerer installations. Its dampening action is especially useful on long runs or when operating under power. It can also be used to hold a boat on course under most conditions, but as a safety feature it can be overridden by the helmsman. The brake mounts on the wheel shaft against the inside forward wall of the wheel box, with the brake knob coming out either side of the box. These brakes are constructed of aluminum and bronze. Each is supplied with a long lasting brake lining, brake shaft and a stainless brake handle. Brake shaft lengths available are 8" (20.3 cm) or 12" (30.5 cm). Special lengths are available on request. For 1" shafts only.

Wt. 2 lbs (.9 kg).

8" Shaft Mount Brake - Order #783ST-8

12" Shaft Mount Brake - Order #783ST-12

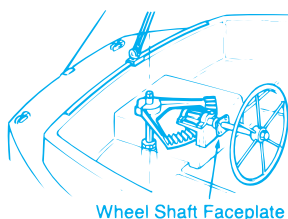
## Shaft Mount Brake



Part #783ST

Edson Brakes are designed to be easily relined to provide you years of service. See Part #316-689 Brake Maintenance Kit on your price page.

## Wheel Shaft Faceplates



**Edson's Wheel Shaft Faceplates.** For dressing up Bulkhead and Shelf Steerer installations. #795BR-1 and #795CH-1 are round and mount with four 3/16" flathead fasteners (owner supplied). #795BR-1NB and #795CH-1NB have 1" needle bearings and are designed to give extra support to Bulkhead Steerer #340 with 1" wheel shafts.

### FACEPLATE SELECTION GUIDE

Order #	Fits Shafts	Material	Dimensions
795BR-1	1" (25.4 mm)	Bronze	3 1/4" (82.6 mm)
795CH-1	1" (25.4 mm)	Chrome	3 1/4" (82.6 mm)
795BR-1NB	1" (25.4 mm)	Bronze	3" x 3 3/4" x 1 1/4" Deep (76.2 x 82.6 x 31.7 mm)
795CH-1NB	1" (25.4 mm)	Chrome	3" x 3 3/4" x 1 1/4" Deep (76.2 x 82.6 x 31.7 mm)

## Compass Pedestal

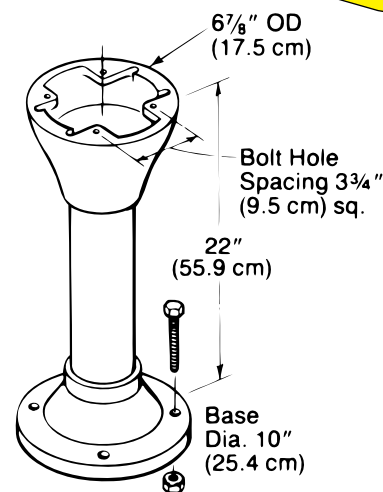
Edson's Compass Pedestal provides an excellent location for mounting compasses on boats having a Rack & Pinion or Worm Steerer, or even a tiller. Makes a great place to mount Edson Pedestal Accessories such as Guards, Tables, Drink Holders, Engine Controls and Instrument Housings. Constructed of aluminum with durable, glossy-white baked on urethane coating. Standard height is 22", special heights available. For mounting bolts see #646 on the price page.

Wt. 7.5 lbs (3.4 kg).

Compass Pedestal - Order #317-5.



The Island Packet above shows a typical installation of the Edson #317 Compass Pedestal.



See Page 12 for Binnacle Compasses



# Accessories For Geared Steerers

**Edson's Self Aligning Bearing.** Rugged all bronze bearing designed to take rudderpost loads as well as for Steerers and Rack and Pinion shaft bearings when used in conjunction with Part No. 679 Shaft Universals. Very good for all low speed rotating shafts where alignment is a problem (not to be used on propellers on high speed shafts). Part No. 629 Self Aligning Bearings are available in sizes 1" (2.5 cm) to 2" (5.1 cm). See price pages for all available sizes.

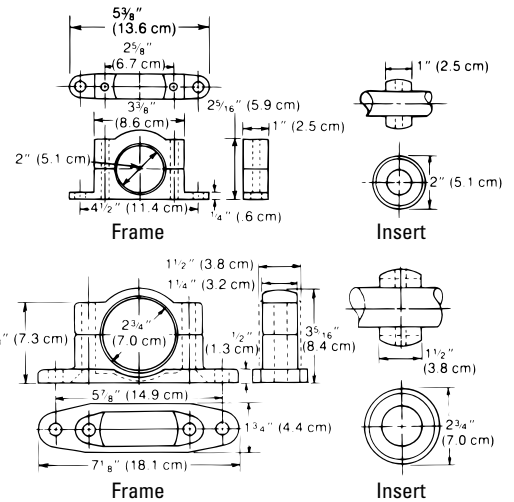
Weights range from 1.5 lbs (.7 kg) to 5.25 lbs (2.9 kg).

**Self Aligning Bearings - Order #629A or 629B.**

## Self Aligning Bearing

**#629A**  
 Sizes available from 1" (2.5 cm) to 1 1/2" (3.8 cm) diameter. Weight 2 lbs (.9 kg).

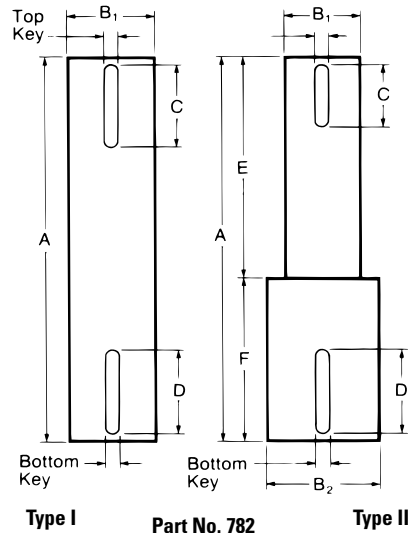
**#629B**  
 Sizes available from 1 1/2" (3.8 cm) to 2" (5.1 cm) diameter. Weight 6 lbs (2.7 kg).



## Rudderpost Extender

**Edson's Rudderpost Extender.** A shaft extension for Rack and Pinion and Worm Steerers where the existing rudderpost is too low in the cockpit. These Extenders are designed for use with Part No. 675 Couplings. Rudderpost Extenders are supplied with keyways at both ends. Type I Extenders have a uniform diameter along their entire length, and Type II Extenders have two diameters as shown. When ordering, specify type and provide sketch showing all dimensions.

**Rudderpost Extender - Order #782, Specify Type I or Type II.**



## Shaft Universal

**Edson's Shaft Universal.** For use with Rack and Pinion Steerers and Worm Steerers. Allows the wheel to be tilted to the most comfortable angle when the rudder is extremely raked. For instructions on its use, see Rack and Pinion and Worm Steering sections. Note that a Part No. 629 Self Aligning Bearing must always be used with the universal. The universal is bored for a 1" shaft, machined with a 1/4" keyway, and has a breaking torque of 15,000 inch-pounds. Each end has a set screw. Universals can change shaft angles up to 30°. For maximum life, they should be packed in grease and booted.

Wt. 3 lbs (1.36 kg).

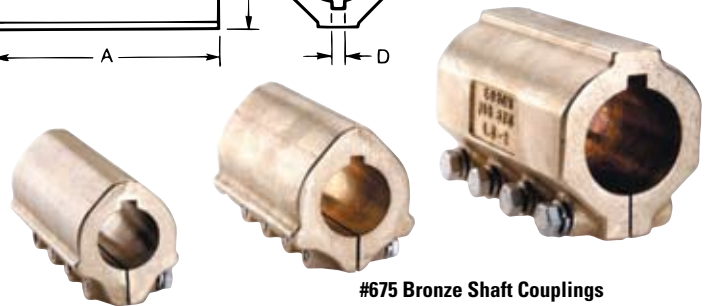
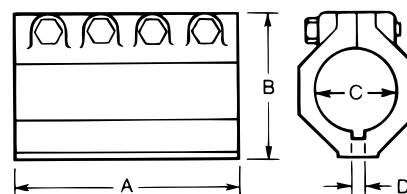
**Shaft Universal - Order #679-100**



## Bronze Shaft Couplings

**Edson's Manganese Bronze Shaft Coupling.** Especially handy for connecting in-line steering wheel shafts of the same diameter. Also used with rudderpost extenders on Rack and Pinion and Worm Steerer installations where the existing rudderpost is too low. Fits shaft diameters from 1" to 2" (see Price Page). Wt. 3 lbs (1.36 kg).

**Bronze Shaft Coupling - Order #675 (Specify Shaft Diameter)**



BRONZE SHAFT COUPLING SELECTION GUIDE			
Dim.	Size 1.0 to 1.125	Size 1.25 thru 1.5	Size 1.625 thru 2.0
A	4" (10.1 cm) (1" to 1 1/2" bores)	4" (10.1 cm) (1" to 1 1/2" bores)	5 1/4" (13.3 cm) (1 1/2" to 2" bores)
B	2 1/8" (5.2 cm)	2 1/2" (6.3 cm)	3 1/4" (8.2 cm)
C	1" (2.5 cm) thru 1 1/8" (2.8 cm)	1 1/4" (3.2 cm) thru 1 1/2" (3.8 cm)	1 1/8" (4.1 cm) thru 2" (5.0 cm)
D	up to 1/4" (.63 cm)	1/4" (.63 cm) to 3/8" (.95 cm)	1/4" (.63 cm) to 1/2" (1.3 cm)

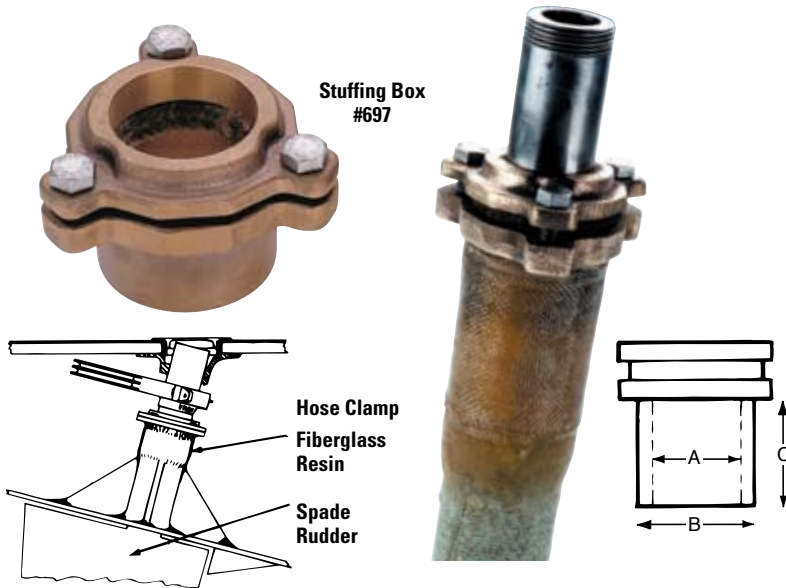
Special bore and key sizes upon request (see Price Page).

#675 Bronze Shaft Couplings

# Rudder Post Accessories

## Bronze Stuffing Box

Combines a rudderpost bearing with an above-the-waterline stuffing box for rudderpost sizes ranging from 1" (2.5 cm) diameter to 4½" (11.4 cm). We recommend fiberglassing the stuffing box/bearing to the top of the tubing when the rudderpost is in place. This can be done easily using alternating layers of fiberglass mat and cloth. This makes the post a structural bearing and will help carry rudder loads with minimal friction. Custom sizes are available on request, but allow additional time.



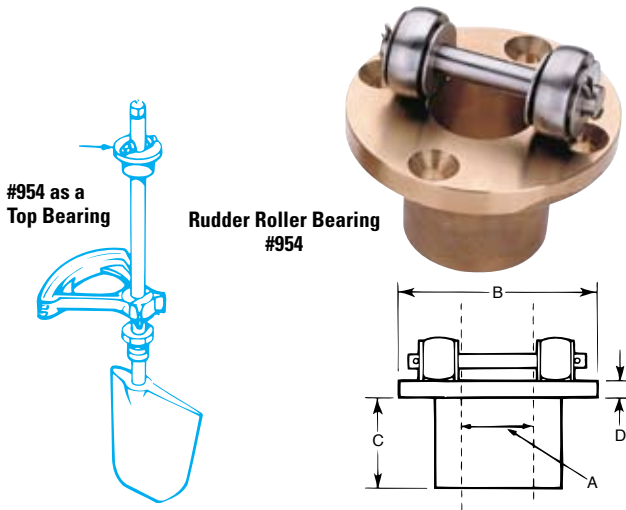
STUFFING BOX ORDERING GUIDE									
For Rudderpost Diameter*	Order #	A**		B		C		Weight	
		in	mm	in	mm	in	mm	lb	Kg
1"	697-1.0	1	25	2	51	1.25	32	2.5	1.1
1½"	697-1.125	1.125	29	2	51	1.25	32	2.5	1.1
1¾"	697-1.250	1.25	32	2	51	1.25	32	2.5	1.1
1⅝"	697-1.375	1.375	35	2	51	1.25	32	2.5	1.1
1½"	697-1.5	1.5	38	2	51	1.25	32	2.5	1.1
1⅞"	697-1.625	1.625	41	2	51	1.25	32	3	1.4
1.660"	697-1.660	1.660	42	2	51	1.25	32	3	1.4
1¾"	697-1.75	1.75	44	2.44	62	1.25	32	3	1.4
1⅞"	697-1.875	1.875	48	2.44	62	1.25	32	3	1.4
1.9"	697-1.9	1.9	48	2.44	62	1.25	32	3	1.4
2"	697-2.0	2.0	51	2.44	62	1.25	32	3.5	1.6
2¼"	697-2.25	2.25	57	3	76	1.25	32	3.5	1.6
2⅝"	697-2.375	2.375	60	3	76	1.25	32	3.5	1.6
2½"	697-2.5	2.5	64	3	76	1.25	32	4	1.8
2.860"	697-2.860	2.860	73	3.5	89	1.25	32	4	1.8
2⅞"	697-2.875	2.875	73	3.5	89	1.25	32	4	1.8
3"	697-3.0	3.0	76	3.5	89	1.75	44	4.5	2
3½"	697-3.5	3.5	89	4	101	1.75	44	4.5	2
4"	697-4.0	4.0	101	4	101	1.75	44	6	2.7
4½"	697-4.5	4.5	114	5.125	130	1.75	44	6	2.7

\* Metric and Custom sizes available on request.

\*\* 'A' Dimension is actually bored +.03" over rudderpost size for proper clearance.

## Bronze Rudder Roller Bearings

Edson's Rudder Roller Bearings carry the rudder weight on rollers. Just bolt or glass in place and rudder drag is virtually eliminated. See Ordering Guide for sizes. Custom sizes available.



RUDDER ROLLER BEARING ORDERING GUIDE											
For Rudderpost Diameter*	Order #	A**		B		C		D		Weight	
		in	mm	in	mm	in	mm	in	mm	lb	Kg
1"	954-100	1	25	4.375	111	2	51	⅞	11	4	1.8
1¼"	954-125	1.25	32	4.375	111	2	51	⅞	11	4	1.8
1½"	954-150	1.5	38	4.375	111	2	51	⅞	11	4	1.8
1¾"	954-175	1.75	44	4.375	111	2	51	⅞	11	4	1.8
1⅞"	954-1875	1.875	48	4.375	111	2	51	⅞	11	4.25	1.9
1.9"	954-190	1.9	48	4.375	111	2	51	⅞	11	4.25	1.9
2"	954-200	2.0	51	5.25	133	2	51	⅞	11	5	2.3
2¼"	954-2375	2.375	60	5.25	133	2	51	⅞	11	5.5	2.5
2.860"	954-2860	2.860	73	5.75	133	2.5	64	⅞	11	7	3.2
2⅞"	954-2875	2.875	73	6	152	2.5	64	½	13	8	3.6
3"	954-3000	3.0	76	6	152	2.5	64	½	13	8	3.6
3½"	954-3500	3.5	89	7	178	2.5	64	½	13	12	5.4

\* Metric and Custom sizes available on request.

\*\* 'A' Dimension is actually bored +.015" over rudderpost size for proper clearance.

## Bronze Tiller Head Fittings

Edson's Bronze Tiller Head Fittings are for tillers 1½" wide and for rudder posts of 1" diameter with a ¼" keyway on the forward side -excellent for the aft steering position. They are available in burnished bronze or chrome plated bronze. Wt. 2.75 lbs (1.3 kg).

Bronze Tiller Head Fitting - Order #965BR-100  
Chrome Tiller Head Fitting - Order #965CH-100

Chrome Bronze  
Tiller Head Fitting  
#965CH-100

Bronze Tiller  
Head Fitting  
#965BR-100



## Leather Spreader Boot Kits



Mariners have been using leather for centuries to prevent premature wear of their sails. Leather will easily outlast and outperform materials of lesser quality, like rubber or tape, when exposed to sun and salt in the harsh marine environment. Edson's custom-cut, hand-stitched Leather Spreader Boots will protect your sails from costly tears and chafe, providing you peace of mind at sea and leaving more money in your pocket. Each kit includes two pre-punched Dove Gray Leather Spreader Boot Covers, heavy waxed polyester thread for lacing, hand-stitching needle and instructions.

### LEATHER SPREADER BOOT KIT ORDERING GUIDE

Size	Circumference	Diameter	Order #
Small	3 1/2"	1"	#1401-1
Medium	6 1/2"	2"	#1401-2
Large	9 1/2"	3"	#1401-3

## Leather Turnbuckle Covers

Edson's Leather Turnbuckle Covers add a distinctive look while protecting your lines and sails from premature wear. These high quality turnbuckle covers will not crack or deteriorate like plastic and offer more complete coverage, are better looking and longer lasting than tape. Add the look and feel that only comes with leather. Available in Dove Grey, they are attached and removed easily with pre-fastened, industrial grade hood-and-loop strips. Sold individually.



### LEATHER TURNBUCKLE COVER ORDERING GUIDE

Size	Fits Turnbuckles	Dimensions	Order #
Small	5/8"	1" x 12"	#1405-12
Medium	1/2"	1 1/2" x 14"	#1405-14
Large	3/4"	1 3/4" x 24"	#1405-24

## Leather Shackle Pulls

When hands sometimes they



are cold, tired and wet, need a little assistance with stubborn snap shackles and sticky zippers. Edson's custom-cut "whale tail" Dove Gray Leather Shackle Pulls are durable and the "whale tail" prevents them from coming undone.

Attach them to anything you need to get your hands on quickly. Snap shackles and blocks, zippers on your foul weather gear, luggage zippers, cushion zippers, quick-release

pins - you name it and you will wonder how you got this far without them.

Sold in packages of 10.

Edson Leather Shackle Pulls (Package of 10) - Order #1404-5

## Leather Chafing Gear

Edson's Leather Chafing Gear is ideally suited for protecting mooring lines, anchor rodes, dock lines and spreader tips.

### BUCK TAN LEATHER

2 1/2 Sq. ft - Order #858TAN-2.5

5 1/2 Sq. ft - Order #858TAN-5.5

11 Sq. ft - Order #858TAN-11

22 Sq. ft - Order #858TAN-22

### DOVE GRAY LEATHER

2 1/2 Sq. ft - Order #858GRAY-2.5

5 1/2 Sq. ft - Order #858GRAY-5.5

11 Sq. ft - Order #858GRAY-11

22 Sq. ft - Order #858GRAY-22



# Traditional Boating Accessories

## Bronze Dinghy Anchor

Remember those great navy anchors of yesteryear? They were as functional as they were good looking. Now Edson has reintroduced the design as the perfect dinghy anchor. Its cast bronze construction will last for generations. This Bronze Dinghy Anchor weighs 6 pounds (2.7 kg) and comes complete with 33 ft (10 m) of  $\frac{3}{16}$ " braided line and a handy stowage bag. Wt. 8 lb (3.6 kg).

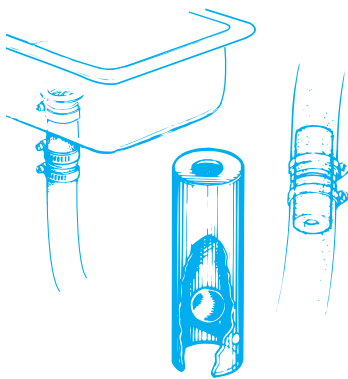
**Bronze Dinghy Anchor with Bag and Line - Order #522-6**

**Bronze Dinghy Anchor without Bag and Line - Order #522-6LL**



See Edson's Full Marine Catalog for Additional Marine Accessories!

## Anti-Surge Valves



**Edson's Anti-Surge Valve** controls the flow of drain and bilge water in your boat with a simple floating ball. Use the anti-surge valve wherever the possibility of water backing up in drain lines exists. Ideal for head sinks, galley sinks, and anchor wells that fill when your boat heels over. These valves can also be used in limber holes and grid pan drains to keep bilge water from traveling. Comes complete with two Stainless hose clamps and is available in four sizes.

**Anti-Surge Valve for  $\frac{3}{4}$ " ID Hose - Order #905-075**

**Anti-Surge Valve for 1" ID Hose - Order #905-100**

**Anti-Surge Valve for  $1\frac{1}{4}$ " ID Hose - Order #905-125**

**Anti-Surge Valve for  $1\frac{1}{2}$ " ID Hose - Order #905-150**



## Classic Binnacle Compasses

**Binnacle Compass** can be mounted directly to the Edson Spacemaker Pedestals using the standard 4-bolt pattern on the top of the pedestal or optional Edson Engine Control Housing. Offered are binnacle models with choices of 5" or 6" dial sizes and optional finishes and materials. They all have 5° increments, built-in compensators, night lighting, full gimbals and 45° lubber lines.

**Traditional Binnacle Mount with hood, 5" dials for 335 & 336 Pedestals:**

Ritchie Globemaster Stainless (shown)      Order #658-D-515-EP  
Ritchie Globemaster Brass                      Order #658-D-515-EX

**Traditional Binnacle Mount with hood, 6" dials for 400, 401 & 460 Pedestals:**

Ritchie Globemaster Stainless              Order #658-D-615-EP  
Ritchie Globemaster Brass (shown)        Order #658-D-615-EX



#658-D-515-EP

#658-D-615-X

# Traditional Boating Accessories

## Edson One-Step™ Boarding Step

Now Edson makes getting on board from a dingy or dock safer and easier. Cast in aluminum and coated with durable, glossy-white baked on Urethane coating, the Edson One-Step is designed to attach to your lifeline gate stanchions and hang against the side of your boat. It has neoprene bumpers that won't mar your topsides, and the built-in handles give you a secure handhold. Comes complete with 6 ft. of braided line with stainless snap shackles. *Wt. 5 lb (2.3 kg).*

**One-Step Boarding Step with Line - Order #520-14**  
**One-Step Boarding Step without Line - Order #520-14LL**

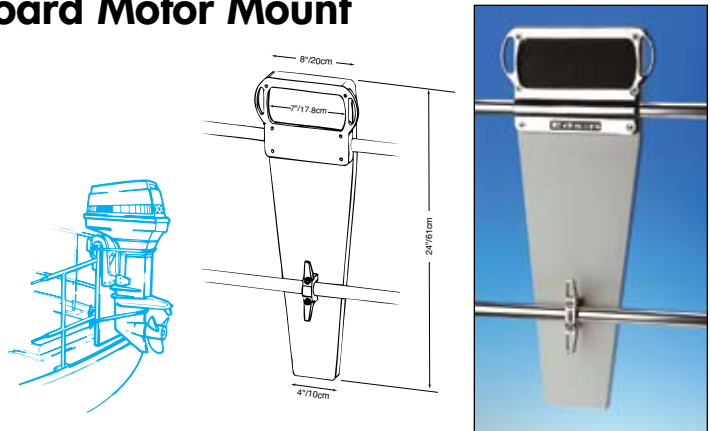


## Stern Rail Outboard Motor Mount

Built to hold motors up to 15 hp or 100 lbs/45 kg. Convenient cleat and side handles allow you to tie the motor and lock it safely on board. The non-corroding polished 316 stainless bracket with non-skid pad, bolted to the UV stable poly backing board always look ship-shape... no more varnishing. Comes complete with hardware to attach to any standard 1" (2.5cm) or 1 1/4" (3.2 cm) stainless rail. Bottom cleat comes unattached so that it will fit any rail spacing.

**Note:** 1 1/4" rail version comes complete with anodized aluminum bracket and stainless U-bolt for 1 1/4" railing. *Wt. 10 lb (4.5 kg).*

**Outboard Mount for 1" Railing - Order #521-100ST(shown)**  
**Outboard Mount for 1 1/4" Railing - Order #521-125AL**



## Edson Oar-Loc™

Cast in bronze, this convenient oar locking device is ideal for those who want to leave their oars safely with the dinghy at yacht clubs or public docks. Edson's unique design is easy to operate because the lock is on the top of the seat. You can also lock up your oarlocks by drilling two more holes and putting your oarlocks under your oars. Lock not included. *Wt. 1.35 lb (.6 kg).*

**Edson Oar-Loc™ - Order #523-2**

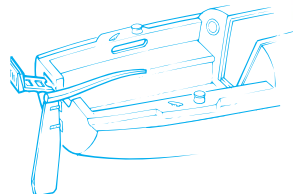
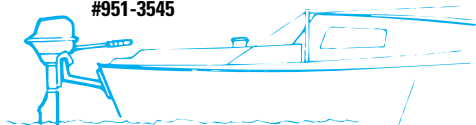


## Bronze Outboard Brackets

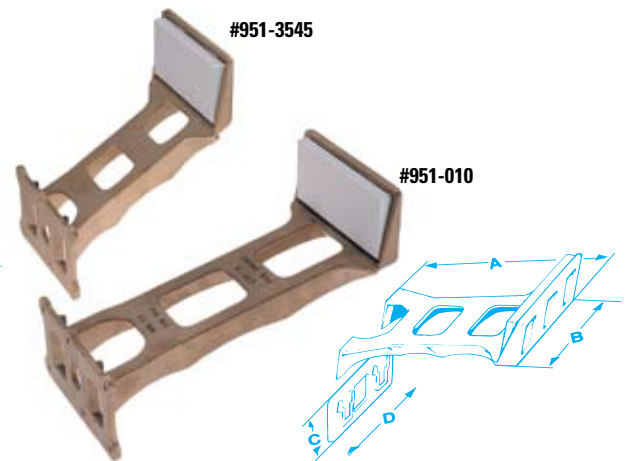
Edson's Bronze Outboard Brackets are designed as an engine mount for use on dinghys and small sailboats. The mounting plate is permanently fastened to the boat's transom. The bracket slides into the plate and is held in place by two stainless steel clips. The outboard motor bracket is available for two different transom angles. Order Size 10 for transoms with 10° angle or Size 3545 for angles of 35° - 45°. Will hold outboards up to 4 HP.

**Angled Transom Bracket - Order #951-3545**  
**Straight Transom Bracket - Order #951-010**

**Angled Transom Bracket**  
**#951-3545**



**Straight Transom Bracket**  
**#951-010**



### OUTBOARD BRACKET ORDERING GUIDE

Order #	Dimensions				Weight lbs (kg)
	A	B	C	D	
951-3545	9" (23 cm)	8" (20 cm)	4" (10 cm)	8" (20 cm)	8½ (3.9)
951-010	14" (36 cm)	8" (20 cm)	4" (10 cm)	8" (20 cm)	10½ (4.8)

# Traditional Bronze Housemarkers

Edson's traditional Bronze House Markers are an excellent way to commemorate any occasion and add a rugged touch of bronze to any surface. When allowed to age naturally, each House Marker will acquire a classic patina.

Cast from hand-carved patterns, these plaques represent six traditional East Coast sailing vessels from the late 19th and early 20th century as well as a Striped Bass, a classic lobsterboat and a nautical compass rose. Each is modeled to-scale, in full relief and shows details of the actual vessel or fish.

The Edson/Anbar Foundry has hand cast and tumbled the bronze plaques to a low-lustre finish ready to be engraved to your specifications. Bronze mounting screws are included and engraving is available in Roman typeface for an additional charge. Please include clear engraving instructions with your order. 15 Characters Maximum, including spaces. Please allow 3-4 weeks for delivery. Engraving charges extra.



**Beetle Cat**  
Order #3205  
10" x 12½"



**NEW!**

**Lobster Boat**  
Order #3207  
14¼" x 8½"



**Herreshoff 12½**  
Order #3206  
9" x 11½"



**Friendship Sloop**  
Order #3202  
10" x 10"

**Great Gift Idea!  
Mount on Your  
Home Deck!**



**NEW!**

**Compass Rose**  
Order #3150  
9" Diameter



**Cape Cod Catboat**  
Order #3201  
9" x 11"



**Chesapeake Bay Skipjack**  
Order #3203  
10" x 9½"



**Striped Bass**  
Order #3204  
14" x 8½"



**Tankcook Whaler**  
Order #3200  
10" x 9½"

# Edson Diaphragm Pumps

The Edson Diaphragm Pump is the captain's choice for on board applications of bilge pumping, sewage collection, spill clean-up, oil collection and pump-outs of marine sumps, holding tanks and gas tanks. The manual models are often used as emergency manual back up pumps because they can pump a lot of water without power. Available in Bronze or Aluminum in 18 GPM and 40 GPM models.

## Edson Pump Features:

- Highest Capacity Manual Pump on the Market- One Gallon Per Stroke (Bone Dry model).
- Up to 30 GPM.
- Self Priming from Dry Starts.
- Handles Solids up to 1 Inch.
- Large Flow Through Inlet and Discharge Passages for Virtual Clog-Proof Operation.
- Reinforced Diaphragms and Valves = Long Life (over 3,000,000 Cycles).
- Available in Marine Grade Red Bronze or Anodized Aluminum.
- Available for 1½" or 2" NPT Ports.
- Built Tough for Years of Service
- Designed Simple for On Board Maintenance.

## Portable Pump Kits

Edson Portable Pump Kits are complete pumping systems that include an Edson Pump mounted on a Carrying Board with Handle, Quick Clamp Hose Fittings and a single 20'(6m) length of 1½" hose supplied for optimum configuration by individual. Available in 18 or 30 GPM models.



## Bronze Strainers & Foot Valves



- 1½" Bronze Strainer - Order #111BS-150  
 2" Bronze Strainer - Order #111BS-200  
 1½" Foot Valve/Strainer - Order #130N-150  
 2" Foot Valve/Strainer - Order #130N-200

## 18 GPM Pumps

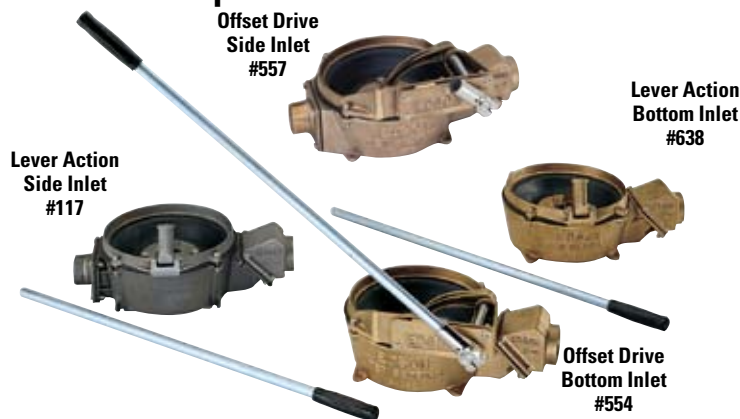


18GPM Manual Diaphragm Pumps are offered in varying configurations to facilitate installation based on where you want to locate the pump on the boat. The #254 Offset Pump facilitates mounting the pump behind a bulkhead, the #256 Vertical Mount Pump allows mounting the pump on a wall and the #258AL is ideal for mounting behind a set riser in the cockpit. An 18" aluminum handle comes with every pump. A 32"/81cm handle, available in plated or stainless steel is optional.

### EDSON 18 GPM PUMP ORDERING GUIDE

Pump Description	Material	Suction, Discharge & Hose Size	Pump Weight	Order #
Lever Action Side Inlet	Aluminum	1½" (3.8 cm) NPT	10lb/4.5kg	217AL-150
	Bronze	1½" (3.8 cm) NPT	32lb/14.5kg	217BR-150
Offset Drive Side Inlet	Aluminum	1½" (3.8 cm) NPT	14lb/6.4kg	254AL-150
	Bronze	1½" (3.8 cm) NPT	35lb/15.9kg	254BR-150
Vertical Mount	Aluminum	1½" (3.8 cm) NPT	10lb/4.5kg	256AL-150
	Bronze	1½" (3.8 cm) NPT	29lb/13.2kg	256BR-150
Seat Riser	Aluminum	1½" (3.8 cm) NPT	10lb/4.5kg	258AL-150
Portable Pump Kit	Aluminum	1½" (3.8 cm) NPT	8lb/3.6kg	165AL-18-150
	Bronze	1½" (3.8 cm) NPT	19lb/8.6kg	165BR-18-150

## 30 GPM Pumps



Manual 30 GPM Diaphragm Pumps are available in four models with either side inlet or bottom inlet chambers and lever action or offset drive sockets. The choice of model is based on where you want to locate the pump on the boat. The Offset models facilitate mounting the pump behind a bulkhead. A 32" plated steel handle comes with every pump. It is used for easy stand up pumping. A stainless steel handle is optional.

### EDSON 30 GPM PUMP ORDERING GUIDE

Pump Description	Material	Suction, Discharge & Hose Size	Pump Weight	Order #
Lever Action Side Inlet	Aluminum or Bronze	1½" (3.8 cm) NPT or 2" (5.1 cm) NPT	(4.5 kg) (14.5 kg)	117AL 117BR
	Aluminum or Bronze	1½" (3.8 cm) NPT or 2" (5.1 cm) NPT	(6.4 kg) (15.9 kg)	554AL 554BR
Lever-Action Bottom Inlet	Aluminum or Bronze	1½" (3.8 cm) NPT or 2" (5.1 cm) NPT	(4.5 kg) (13.2 kg)	638AL 638BR
	Aluminum or Bronze	1½" (3.8 cm) NPT or 2" (5.1 cm) NPT	(4.5 kg) (13.2 kg)	557AL 557BR
Portable Pump Kit	Aluminum	2" (5.1 cm) NPT	(4.5 kg)	165AL-30