


**3630**

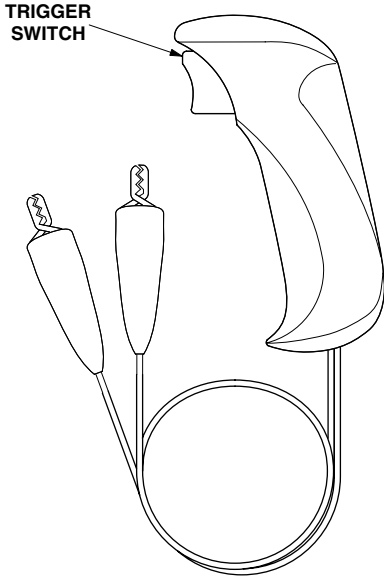
**REMOTE**  
  
**STARTER SWITCH**

**MANUAL**



## ABOUT THIS TOOL

The Remote Starter Switch allows you to crank your vehicle's engine (without starting it) from under the hood, without the assistance of a helper. This capability provides convenience when performing many troubleshooting and repair tasks such as compression, fuel pump, generator, starter and electrical tests or adjusting tappets and setting ignition points. The Remote Starter Switch is hand-actuated by a trigger switch in the hand grip.



## LOCATING THE PROPER SOLENOID OR RELAY CONNECTION POINT

Connection of the Remote Starter Switch will vary depending on your vehicle's make and model. You **MUST** determine the proper connection point before connecting the Remote Starter Switch. Refer to the following guidelines to locate the correct solenoid or relay connection point for your vehicle.

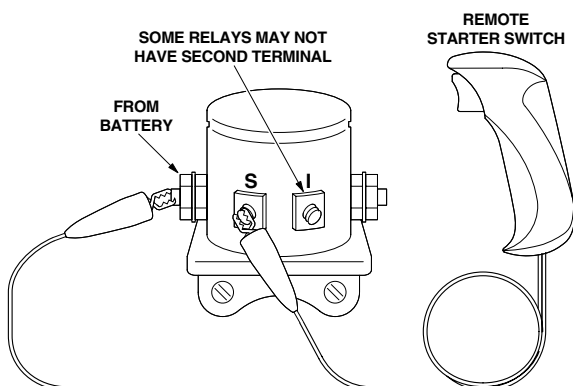


*If you cannot determine the correct connection point using the following guidelines, refer to your vehicle's service manual for location.*

- **For most Ford vehicles:** The starter relay is located near the battery, on the inner fender. Ford vehicles may use either single-terminal relays or double-terminal relays.

**For single-terminal relays:** Connect one lead from the Remote Starter Switch to the large terminal to which the battery cable is connected. Connect the remaining lead to the single small terminal.

**For double-terminal relays:** Double-terminal relays have two small terminals, labeled "I" (for ignition) and "S" (for start). Connect one lead from the Remote Starter Switch to the large terminal to which the battery is connected. Connect the remaining lead to the small terminal labeled "S".



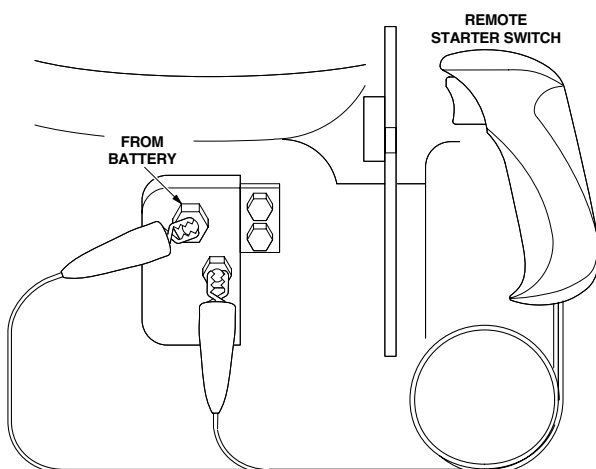
#### FORD STARTER RELAY CONNECTION



If the small terminals on the starter relay **ARE NOT** labeled, refer to your vehicle's service manual.

- **For Chrysler vehicles:** The starter relay can be found in one of two different locations.

On some vehicles, the starter relay is located in the stater motor housing. In these cases, the Remote Starter Switch is connected to a junction block on the upper left corner of the firewall. Connect one lead of the Remote Starter Switch to the large terminal to which the battery cable is connected. Connect the remaining lead to the small terminal.



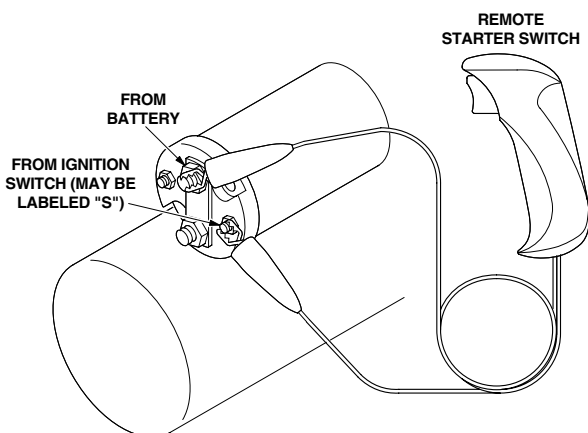
#### CHRYSLER STARTER RELAY CONNECTION

On some vehicles, the starter relay is similar to the Ford starter relay. Refer to the section on Ford vehicles for proper connection.

- **For most GM vehicles:** The starter solenoid is located on top of the starter motor housing. The Remote Starter Switch is connected to terminals on the end of the solenoid. Connect one lead from the Remote Starter Switch to the large terminal to which the battery is connected. Connect the remaining lead to the small terminal labeled "S".



If the small terminals on the solenoid **ARE NOT** labeled, refer to your vehicle's service manual.



**GM STARTER SOLENOID CONNECTION**

Other GM vehicles use a variety of starter systems, so no single procedure can be recommended.

- **For most import vehicles:** One of the preceding procedures **SHOULD** apply. For import vehicles with different systems than those described, refer to the manufacturer's service manual for your specific vehicle for proper connections.

## CONNECTION AND OPERATION



**CAUTION:** To prevent overheating and damage to the starter motor, **DO NOT** crank the engine for more than 15 seconds at a time.

1. Put the vehicle's transmission in PARK (for automatic transmissions) or NEUTRAL (for manual transmissions). Set the parking brake. Put blocks on the drive wheels.
2. Disable the ignition system:
  - **For electronic or conventional breaker point ignition systems:** Disconnect the wire(s) at the negative terminal of the coil (usually the terminal which has the wire connected to the distributor).
  - **For GM HEI ignition systems:** Disconnect the B+ wire connected to the distributor. Wrap the wire end with electrical tape to prevent accidental grounding.

- **For all other ignition systems:** Refer to the manufacturer's service manual for your specific vehicle for proper procedures.
3. Connect the Remote Starter Switch to the vehicle. Refer to LOCATING THE PROPER SOLENOID OR RELAY CONNECTION POINT to determine the proper connection point for the Remote Starter Switch.
  4. Squeeze and hold the Remote Starter Switch trigger to crank the engine. Release the trigger to stop cranking.