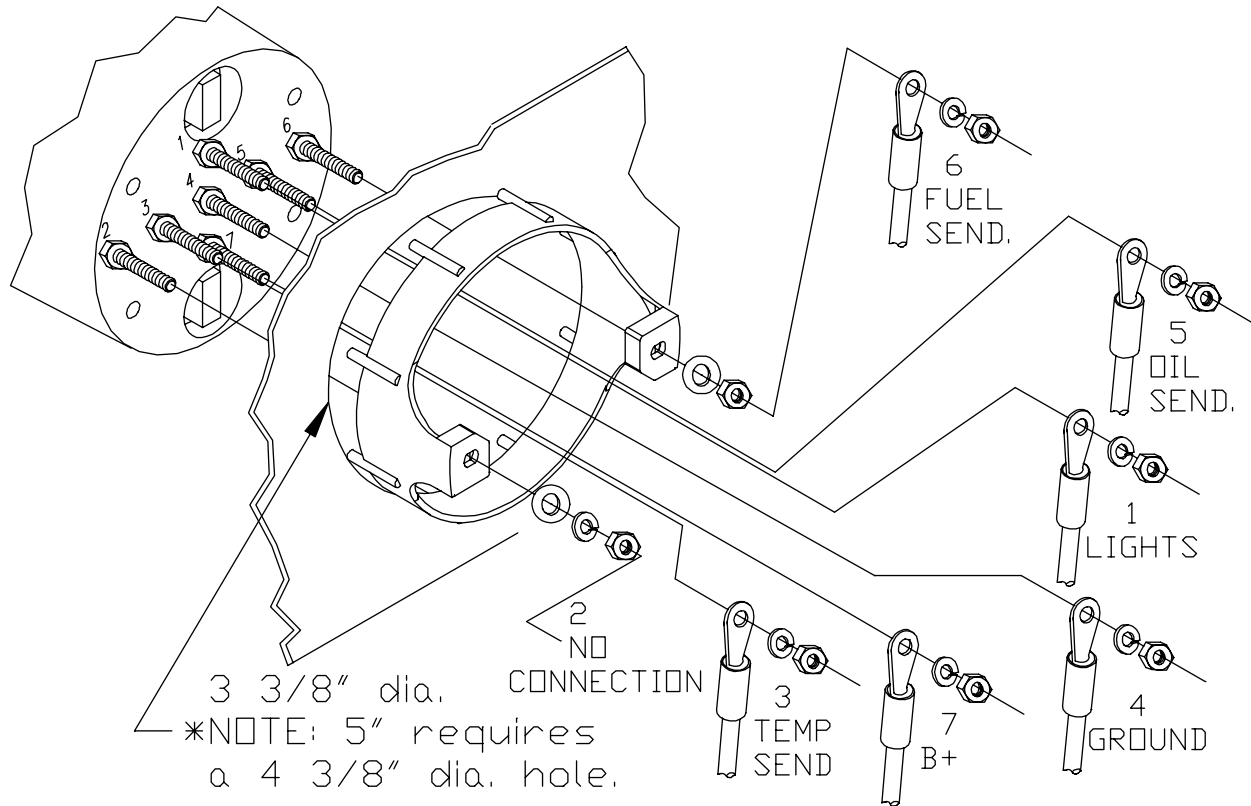


## Installation Instructions

### 4-in-1 Gauge

#### Fuel, Oil Pressure, Temperature, Volts



**CAUTION:** Disconnect the battery during installation. Tighten nuts on the backclamp only slightly more than you can tighten with your fingers. Six **inch-pounds** of torque is sufficient. may result in damage to the instrument and may void your warranty.

1. Be certain to use stranded, insulated wire not lighter than 18AWG that is approved for marine use. It is recommended that insulated wire terminals, preferably ring type, be used on all connections.

2. Cut a 3-3/8" dia. hole in the dash and mount the gauge with the backclamp supplied.

3. Connect a wire to the stud marked "4" (ground) and secure with a nut and lockwasher. Connect opposite end to the boat's electrical ground, generally available in several locations at or near the instrument panel.

4. Connect a wire to the stud marked "7" (B+) and secure with a nut and lockwasher. Connect the opposite end to a 12VDC circuit that is activated by the ignition switch.

5. Connect a wire to the stud marked "1" (lights). Connect the opposite end to the positive "+" side of the boat's instrument lighting circuit. No separate ground is required for lighting.

6. Connect a wire to the stud marked "6" (fuel send.) and secure with a nut and lockwasher. Connect the opposite end to the to the stud on the sensing unit and secure with a nut and lockwasher.

7. Connect a wire to the stud marked "3" (temp. send.) and secure with a nut and lockwasher. Connect the opposite end to the to the stud on the sensing unit and secure with a nut and lockwasher.

8. Connect a wire to the stud marked "5" (oil send.) and secure with a nut and lockwasher. Connect the opposite end to the to the stud on the sensing unit and secure with a nut and lockwasher.

**CAUTION** Be certain wire insulation is not in danger of melting from engine exhaust heat or interfering with moving mechanical parts when connecting to sensors.

**\* NOTE:** Stud functions are different for the 5 inch gauge and are as follows: "1" (ground), "3" (lights), "4" (fuel send.), "5" (temp send.), "6" (oil send.), and "7" (B+).

**NOTE:** To change light bulb, twist black socket assembly one-eighth turn counterclockwise until it pops out. Bulb pulls straight out of assembly. It is a GE No. 194 instrument lamp.