
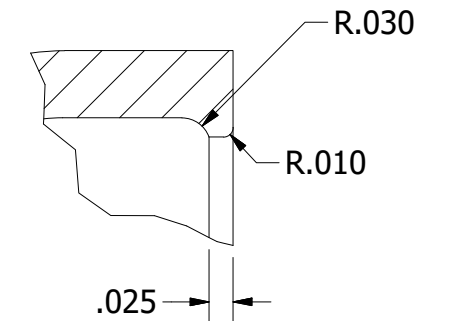
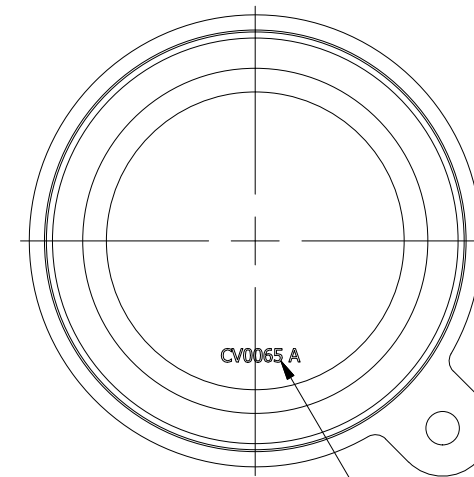
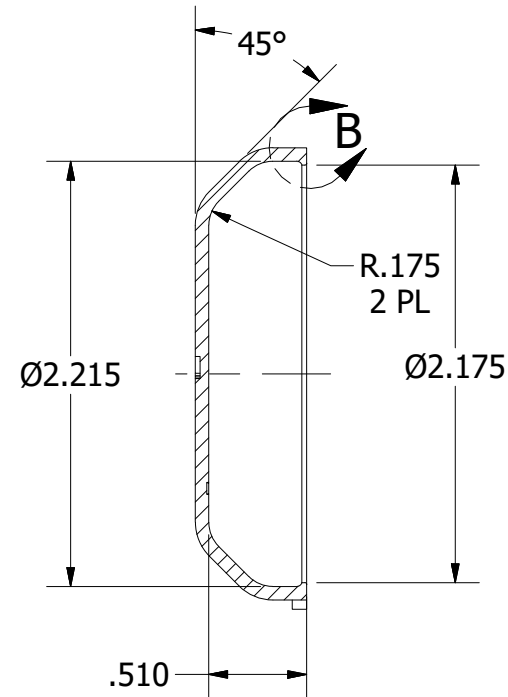
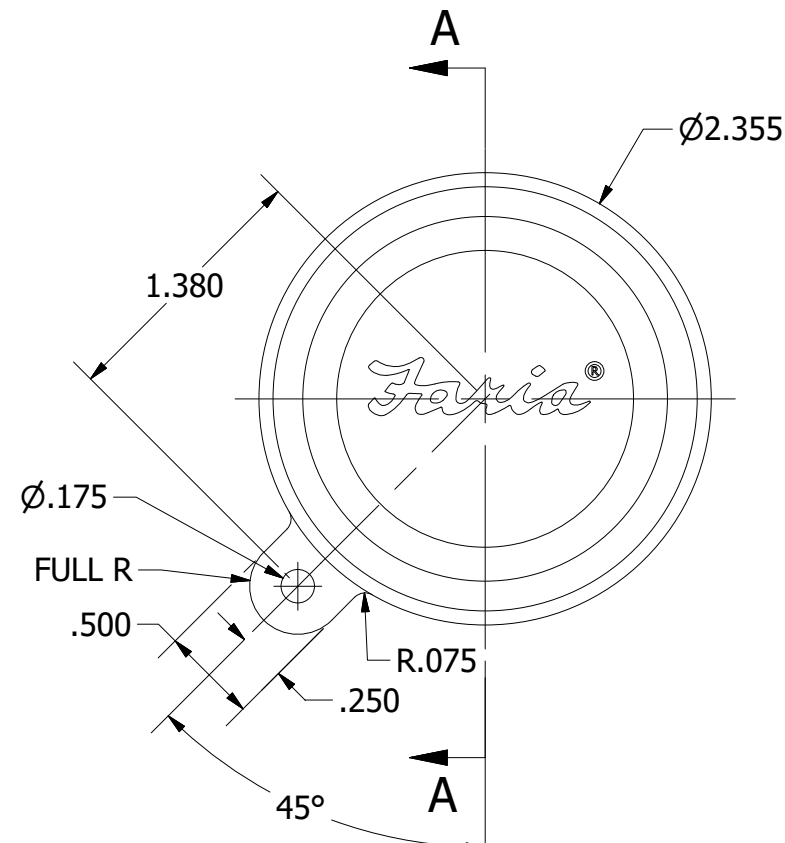


DIMENSIONS AND FEATURES MARKED  ARE SIGNIFICANT CHARACTERISTICS. SIGNIFICANT CHARACTERISTICS MUST BE MONITORED USING STATISTICAL TECHNIQUES.

REVISION HISTORY

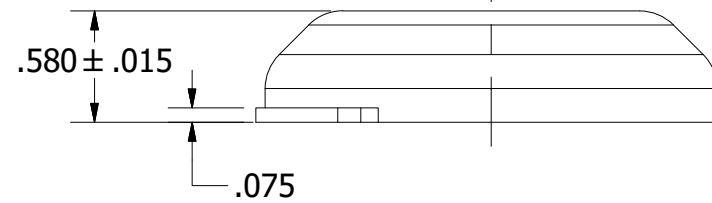
REV	DESCRIPTION	ECR	DATE	CHG'D BY	APPROVED
X	FOR QUOTATION PURPOSES ONLY		10/07/19	GJK	
A	RELEASED	P956	06/05/20	GJK	KMT

 INDICATES DIMENSIONS TO BE CHECKED BY QUALITY CONTROL.



DETAIL B
SCALE 5 : 1

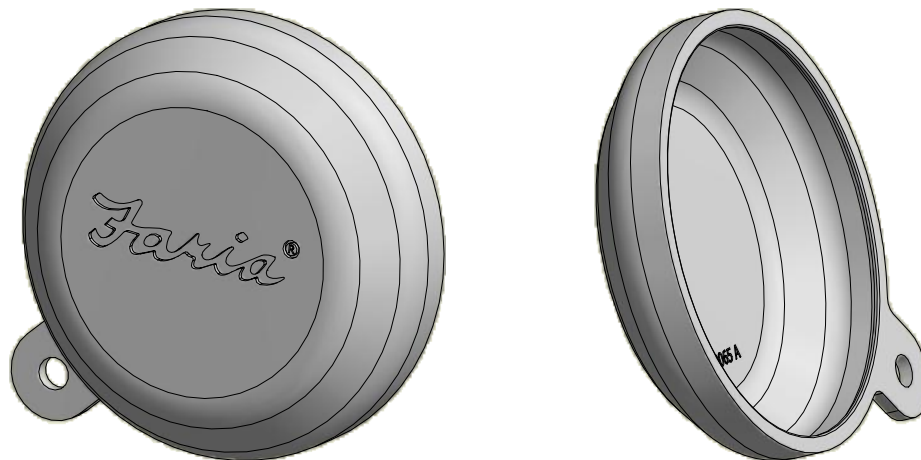
SECTION A-A



NOTES: (UNLESS OTHERWISE SPECIFIED)

- MATERIAL: EPDM 70 DUROMETER.
- PART COLOR: WHITE.
- MOLD SHRINKAGE: .028 IN/IN.
- DRAFT ANGLE: 1° MAX/SIDE.
- PART NUMBER AND REV LETTER TO BE LOCATED ON THE BACK OF COVER AS SHOWN. CHARACTERS MUST BE ON REMOVEABLE INSERT, .070 TALL MIN. RECESSED .010 DEEP.
- INCOMING PARTS WILL BE TESTED AND MUST PASS UV SPECS (NO CRACKING, YELLOWING, ETC.)

THIS 2D DRAWING IS A CRITICAL TO FUNCTION DRAWING ONLY. IT IS TO BE USED TOGETHER WITH THE CORRESPONDING 3D CAD MODEL FILE TO FULLY DEFINE ALL OF THE PART FEATURES. THE 3D CAD MODEL FILE IS CREATED TO NOMINAL SIZE DIMENSIONS. ALL DIMENSIONS AND TOLERANCES ON THIS DRAWING SHALL BE CONSIDERED THE MASTER DEFINITION AND SUPERCEDE THE MODEL DATA.



PRINTED COPIES OF THIS DOCUMENT ARE UNCONTROLLED AND MAY NOT BE CURRENT

PROPRIETARY NOTICE		UNLESS OTHERWISE SPECIFIED: DIMENSIONS ARE INCHES. TOLERANCES		FARIA BEEDE INSTRUMENTS INC.			
THIS PRINT CONTAINS INFORMATION PROPRIETARY TO FARIA BEEDE INSTR. AND MAY NOT BE USED OTHER THAN FOR PURPOSES OF FARIA BEEDE INSTR. WITHOUT PRIOR EXPRESS WRITTEN APPROVAL OF AN OFFICER OF FARIA BEEDE INSTR.		DECIMALS .XX ± .03 .XXX ± .010 DO NOT SCALE DRAWING		ANGULAR ± 0.5°		2" GAUGE WEATHER COVER	
DRAWN GJK	DATE 10/7/2019	SIZE B	FSCM NO.	DWG NO. CV0065	REV A		
CHECKED		SCALE 1:1		SHEET 1 OF 1			
ENG APPRV							