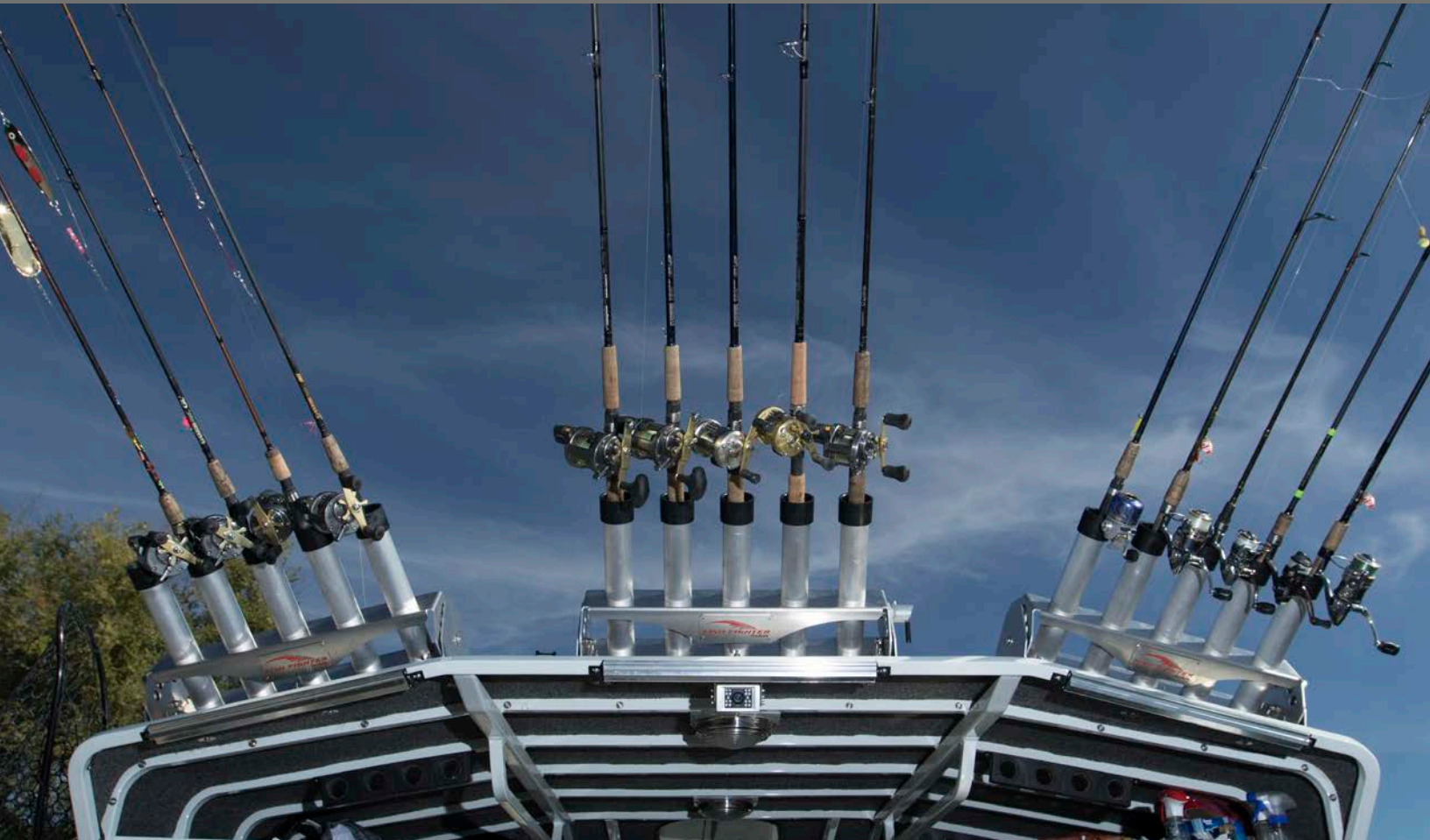




**FISH FIGHTER**<sup>™</sup>  
*Products*

**ROD**  
**RACKS**



# WALL MOUNT ROD RACKS

PART #	DESCRIPTION	DIMENSIONS
ITD5107	Wall Mount Rod Rack (3)	11 3/4" X 5 1/2" X 2 1/2"
ITD1423	Wall Mount Rod Rack (6)	26" X 5 1/2" X 2 1/2"
ITD5108	Wall Mount Offshore Rod Rack (3)	15 1/4" X 8 1/2" X 2 1/2"
ITD1424	Wall Mount Offshore Rod Rack (6)	34 1/4" X 8 1/2" X 2 3/4"

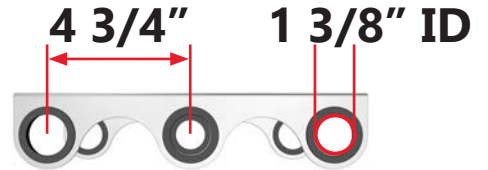


**ITD5107**

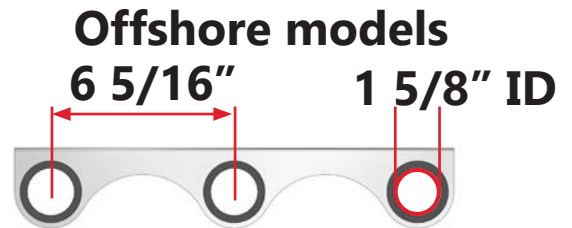
It is up to the installer to determine the appropriate mounting hardware for chosen mounting location. Includes (4) #10 X 1" Drywall Anchors with each Wall Mount Rod Rack to allow mount to most walls or flat surfaces.



**ITD1423**



**ITD5108**



**ITD1424**

## FIXED ANGLE ROCKET-LAUNCHER ROD RACKS

PART #	DESCRIPTION	DIMENSIONS
ITD5287	Fixed Angle Rocket-Launcher Rod Rack - 3 Rod Holder	12" X 10 7/8" X 10 9/16"
ITD5482	Fixed Angle Rocket-Launcher Rod Rack - 4 Rod Holder	16" X 10 7/8" X 10 9/16"
ITD5405	Fixed Angle Rocket-Launcher Rod Rack - 5 Rod Holder	20" X 10 7/8" X 10 9/16"

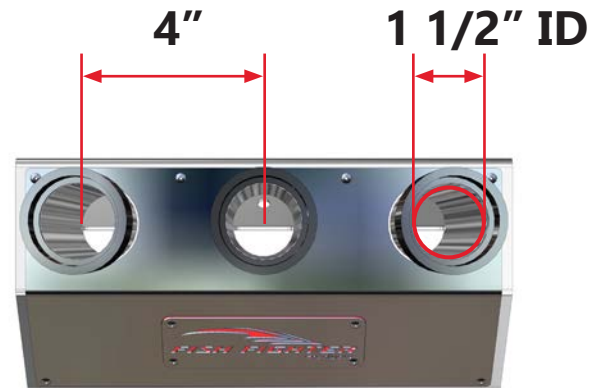


It is up to the installer to determine the appropriate mounting hardware for chosen mounting location.

Includes:

- (5) - 1/4" SS Stainless Washer Large 1" OD
- (10) - 1/4" SS Small Washer Small OD
- (5) - 1/4" - 20 X 1" SS Truss Head Screw
- (5) - 1/4" - 20 X 1 1/4" SS Truss Head Screw
- (5) - 1/4" - 20 SS Nylock Nut

with each Fixed Angle Rocket-Launcher Rod Rack to allow mounting to flat surfaces.



## UNIVERSAL ROCKET-LAUNCHER ROD RACKS

PART #	DESCRIPTION	DIMENSIONS
ITD5283	Universal Rocket-Launcher Rod Rack - 3 Rod Holder	13 3/4" X 13 1/8" X 4"
ITD5279	Universal Rocket-Launcher Rod Rack - 4 Rod Holder	17 3/4" X 13 1/8" X 4"
ITD5485	Universal Rocket-Launcher Rod Rack - 5 Rod Holder	21 3/4" X 13 1/8" X 4"

### ITD5283



It is up to the installer to determine the appropriate mounting hardware for chosen mounting location.

Includes:

- (6) - 1/4" SS Stainless Washer Large 1" OD
- (12) - 1/4" SS Small Washer Small OD
- (6) - 1/4" - 20 X 1" SS Truss Head Screw
- (6) - 1/4" - 20 X 1 1/4" SS Truss Head Screw
- (6) - 1/4" - 20 SS Nylock Nut

with each Universal Rocket-Launcher Rod Rack to allow mounting to flat surfaces.

### ITD5279

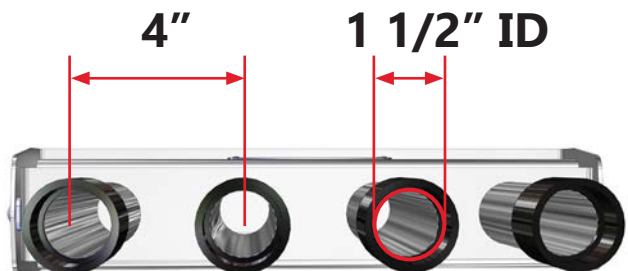


### 115° Range of Motion



Loosen and tighten bolts to adjust the wide range of positions allowing installation about anywhere.

### ITD5485



**PIVOTING ROCKET-LAUNCHER ROD RACKS**

PART #	DESCRIPTION	DIMENSIONS
ITD5275	Pivoting Rocket-Launcher Four Position Rod Rack - 3 Rod Holder	16 1/16" X 13 3/16" X 6"
ITD5271	Pivoting Rocket-Launcher Four Position Rod Rack - 4 Rod Holder	20 1/16" X 13 3/16" X 6"
ITD5396	Pivoting Rocket-Launcher Four Position Rod Rack - 5 Rod Holder	24 1/16" X 13 3/16" X 6"

**ITD5275**



It is up to the installer to determine the appropriate mounting hardware for chosen mounting location.

Includes:

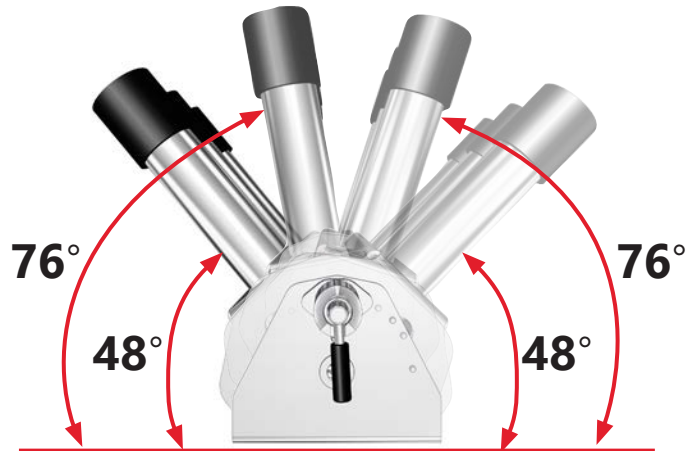
- (6) - 1/4" SS Stainless Washer Large 1" OD
- (12) - 1/4" SS Small Washer Small OD
- (6) - 1/4" - 20 X 1" SS Truss Head Screw
- (6) - 1/4" - 20 X 1 1/4" SS Truss Head Screw
- (6) - 1/4" - 20 SS Nylock Nut

with each Pivoting Rocket-Launcher Four Position Rod Rack to allow mounting to flat surfaces.

**ITD5271**

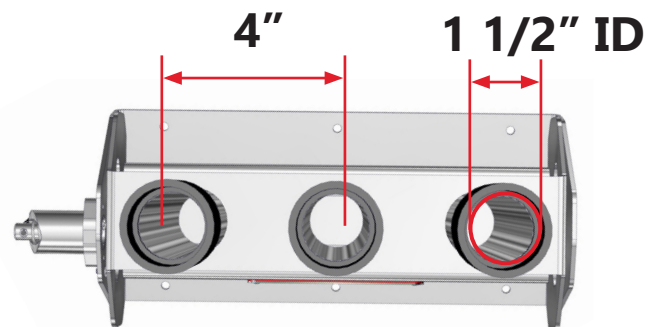


**Four Positions**



Disengage Speed Lock™ to move to any of the four angle positions. See complete Speed Lock™ instructions on PG 5.

**ITD5396**



**SPEED LOCK™**

PART #	DESCRIPTION
ITD7291	Speed Lock™ (Only installed on Pivoting Rocket-Launcher Four Position Rod Racks, Part #'s: ITD5275, ITD5271, ITD5396)

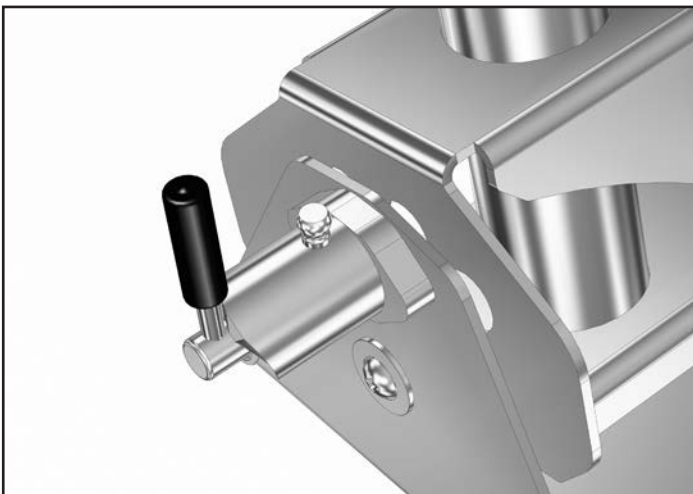
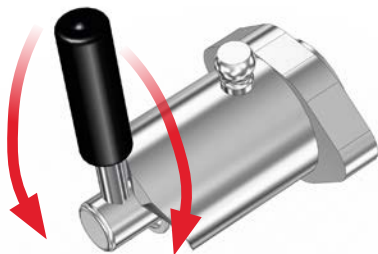


**ITD7291**

Fish Fighter™ Products recommends to grease the Speed Lock™ at least one pump a year or as needed.

**DISENGAGED  
POSITION**

**ENGAGED  
POSITION**



***WALL MOUNT ROD RACKS***



***FIXED ANGLE ROCKET-LAUNCHER ROD RACKS***



***UNIVERSAL ROCKET-LAUNCHER ROD RACKS***



***PIVOTING ROCKET-LAUNCHER ROD RACKS***

