



FISH FIGHTER[™]
Products

COLUMBIA RIVER
EDITION[™] ***RIVER***
ANCHORS





FISH FIGHTER[™]
Products

***RELENTLESS IN THE
PURSUIT OF BIG FISH***



TABLE OF CONTENTS

Columbia River Edition™ Breakaway River Anchors	Pgs. 1-7
Anchor Spade Kits.....	Pgs. 8
Deck Mount Anchor Nest.....	Pgs. 9-10
Dangers of Anchoring	Pgs. 11
Understanding Scope	Pgs. 11
Shock Absorption for the Buoy	Pgs. 12
Buoy Marks your Spot	Pgs. 12
Dropping Anchor	Pgs. 13-14
Precision Boat Control with Drift Boat Socks	Pgs. 15-16
Anchor Retrieval.....	Pgs. 17-18
How to release a hung up anchor	Pgs. 19-20

COLUMBIA RIVER EDITION™ BREAKAWAY RIVER ANCHORS

PART #	DESCRIPTION	WEIGHT
ITD5000	Tuff Coat™ Black Breakaway Anchor 40 lbs. (For boats 30' and under 8,000 lbs.)	45 lbs.
ITD5000-GLV	Galvanized Breakaway Anchor 40 lbs. (For boats 30' and under 8,000 lbs.)	45 lbs.
ITD5015	Tuff Coat™ Black Breakaway Anchor 32 lbs. (For boats 24' and under 6,000 lbs.)	32 lbs.
ITD5015-GLV	Galvanized Breakaway Anchor 32 lbs. (For boats 24' and under 6,000 lbs.)	32 lbs.
ITD5030	Tuff Coat™ Black Breakaway Anchor 26 lbs. (For boats 19' and under 4,000 lbs.)	26 lbs.
ITD5030-GLV	Galvanized Breakaway Anchor 26 lbs. (For boats 19' and under 4,000 lbs.)	26 lbs.
ITD5045	Tuff Coat™ Black Breakaway Anchor 16 lbs. (For boats 15' and under 2,000 lbs.)	16 lbs.

ITD5000 & ITD5000-GLV



Includes:

- 5/16" Chain - 17 Links 22" Long
- 5/16" Threaded Connector
- (4) 8" Zip ties with 40 lbs anchors

ITD5015 & ITD5015-GLV



Includes:

- 5/16" Chain - 16 Links 21-1/2" Long
- 5/16" Threaded Connector
- (3) 8" Zip ties with 32 lbs anchors

ITD5030 & ITD5030-GLV



Includes:

- 1/4" Chain - 15 Links 18-1/2" Long
- 1/4" Threaded Connector
- (2) 8" Zip ties with 26 lbs anchors

ITD5045



Includes:

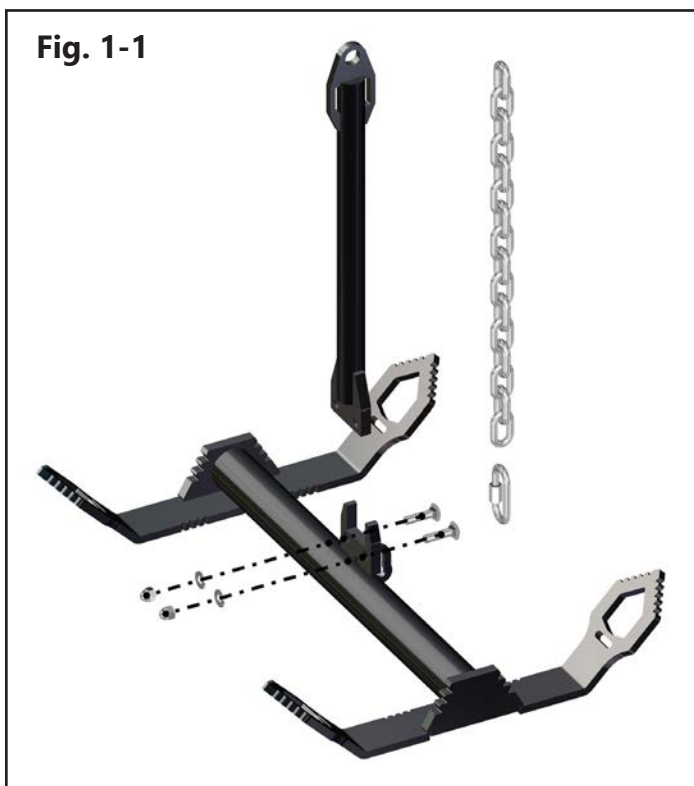
- 1/4" Chain - 12 Links 15-1/4" Long
- 1/4" Threaded Connector
- (1) 8" Zip ties with 16 lbs anchors

Assembly

1. Align handle/ Shank mounting bolt holes with mounting bolt holes on base.
2. Secure handle/ Shank in place with the included hardware
As shown in **Fig. 1-1**
3. Use Zinc Plated Threaded Connector to attach the Chain to the mounting eyelet on base/stock.
4. Use zip ties to tie the end of the chain to the eyelet at the top of the handle/ Shank. Use dikes to trim short.

Recommended

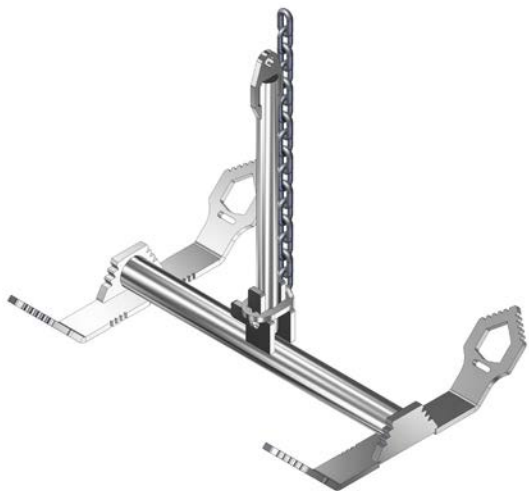
- (4) 8" Zip ties with 40 lbs anchors,
- (3) 8" Zip ties with 32 lbs anchors,
- (2) 8" Zip ties with 26 lbs anchors,
- (1) 8" Zip ties with 16 lbs anchors



COLUMBIA RIVER EDITION™ FOLDING BREAKAWAY RIVER ANCHORS

PART #	DESCRIPTION	WEIGHT
ITD5006	Tuff Coat™ Black Folding Breakaway Anchor 40 lbs. (For boats 30' and under 8,000 lbs.)	45 lbs.
ITD5006-GLV	Galvanized Folding Breakaway Anchor 40 lbs. (For boats 30' and under 8,000 lbs.)	45 lbs.
ITD5021	Tuff Coat™ Black Folding Breakaway Anchor 32 lbs. (For boats 24' and under 6,000 lbs.)	32 lbs.
ITD5021-GLV	Galvanized Folding Breakaway Anchor 32 lbs. (For boats 24' and under 6,000 lbs.)	32 lbs.
ITD5036	Tuff Coat™ Black Folding Breakaway Anchor 26 lbs. (For boats 19' and under 4,000 lbs.)	26 lbs.
ITD5036-GLV	Galvanized Folding Breakaway Anchor 26 lbs. (For boats 19' and under 4,000 lbs.)	26 lbs.
ITD5051	Tuff Coat™ Black Folding Breakaway Anchor 16 lbs. (For boats 15' and under 2,000 lbs.)	16 lbs.

ITD5006 & ITD5006-GLV



Includes:
 5/16" Chain - 17 Links 22" Long
 5/16" Threaded Connector
 (4) 8" Zip ties with 40 lbs anchors

ITD5021 & ITD5021-GLV



Includes:
 5/16" Chain - 16 Links 21-1/2" Long
 5/16" Threaded Connector
 (3) 8" Zip ties with 32 lbs anchors

ITD5036 & ITD5036-GLV



Includes:

- 1/4" Chain - 15 Links 18-1/2" Long
- 1/4" Threaded Connector
- (2) 8" Zip ties with 26 lbs anchors

ITD5051



Includes:

- 1/4" Chain - 12 Links 15-1/4" Long
- 1/4" Threaded Connector
- (1) 8" Zip ties with 16 lbs anchors

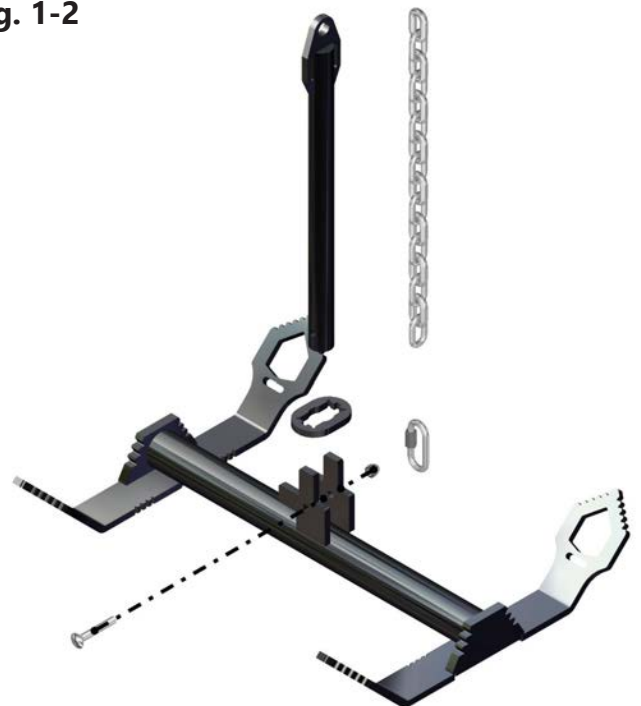
Assembly

1. Place Lock Collar on handle/ shank.
2. Align handle/ shank mounting bolt holes with mounting bolt holes on base.
3. Secure handle/ shank in place with included hardware
As shown in **Fig. 1-2**
4. Use Zinc Plated Threaded Connector to attach the chain to the mounting eyelet on base/stock.
5. Zip Tie the end of the chain to the eyelet at the top of the handle/ Shank. Use dikes to trim short.

Recommended

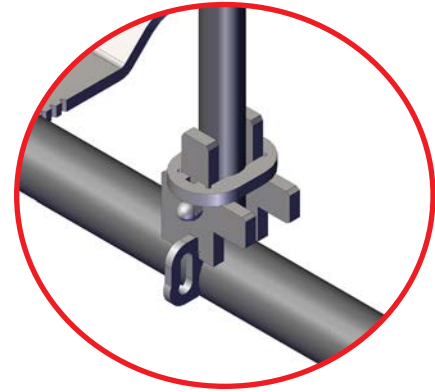
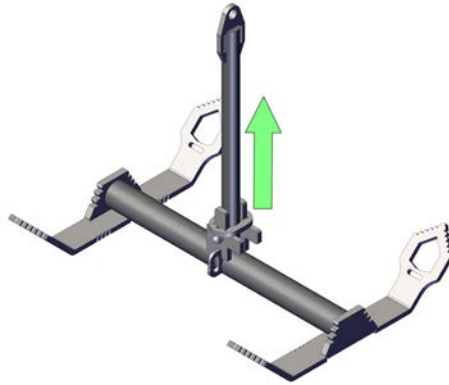
- (4) 8" Zip ties with 40 lbs anchors,
- (3) 8" Zip ties with 32 lbs anchors,
- (2) 8" Zip ties with 26 lbs anchors,
- (1) 8" Zip ties with 16 lbs anchors

Fig. 1-2

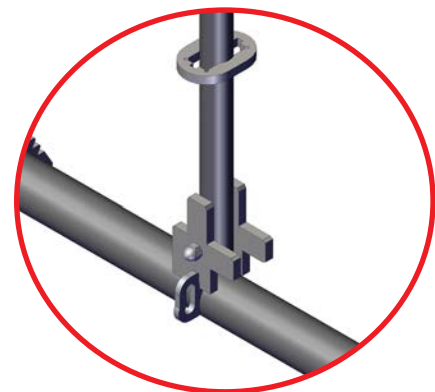
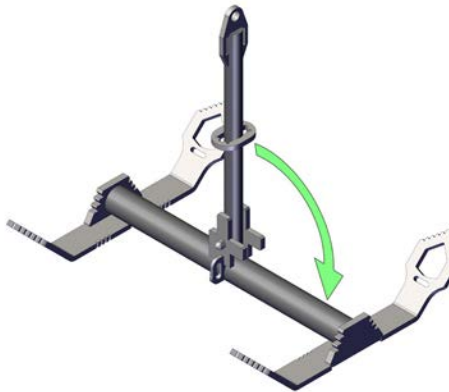


Using The Folding Handle/Shank

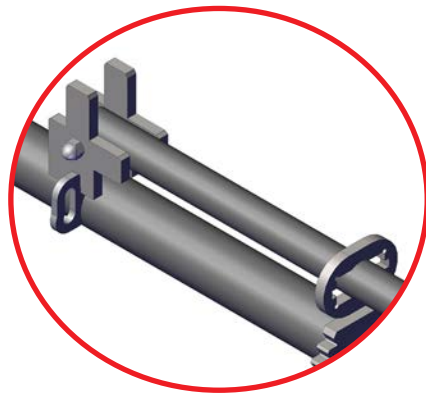
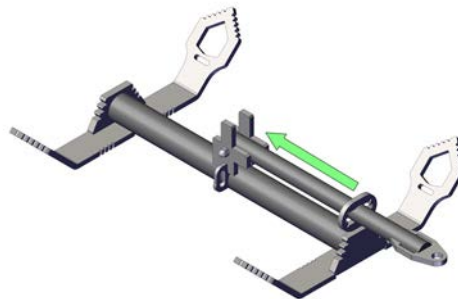
1. Lift the collar up to release the handle/shank



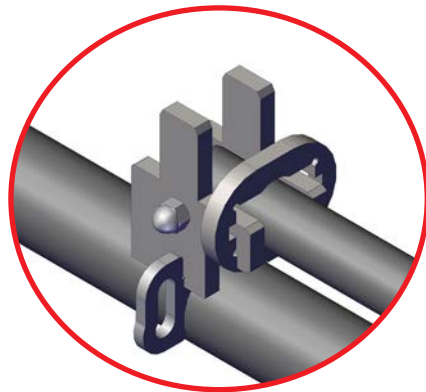
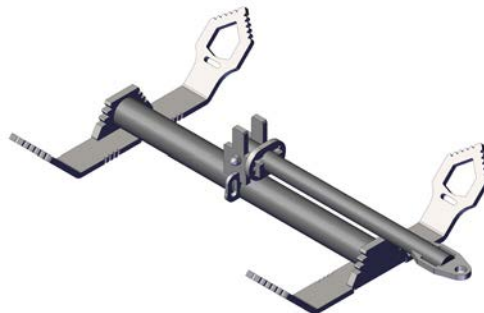
2. Rotate the handle/shank down to its storing/ carrying position



3. Slide the collar into position, locking the handle/shank



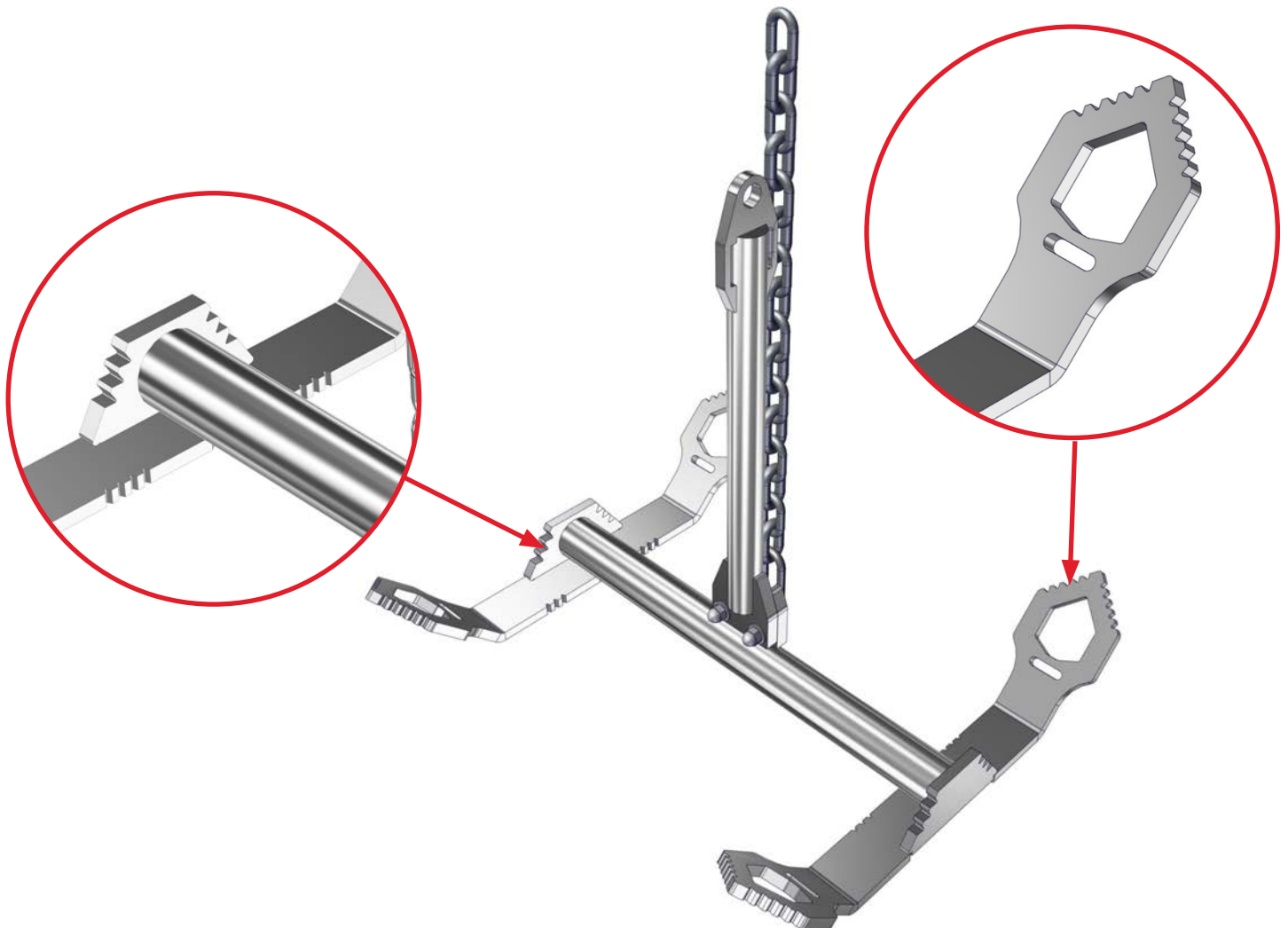
4. The handle/shank can now be used to carry the anchor, and allows you to store with ease



Grouser Fluke System™

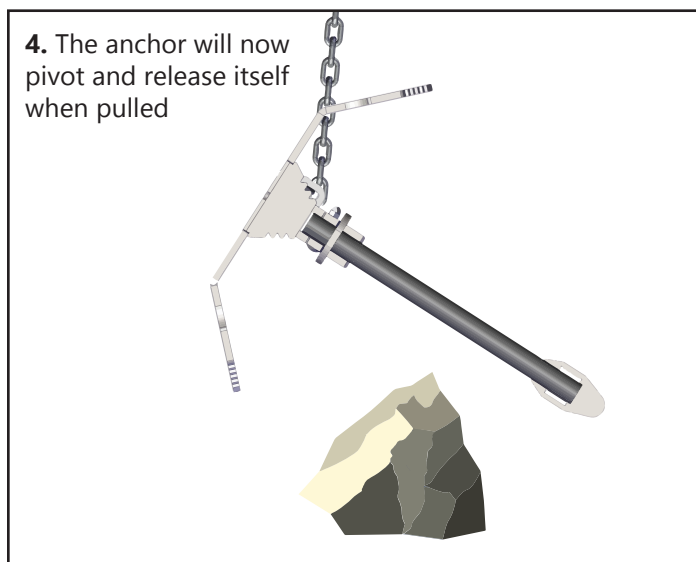
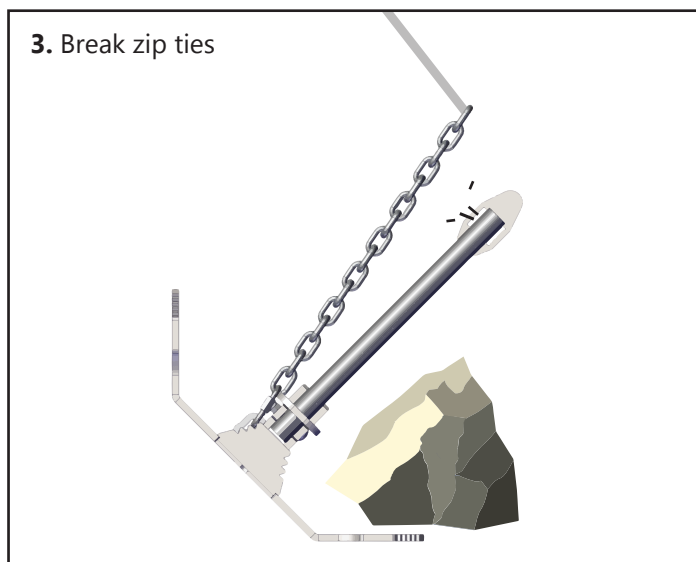
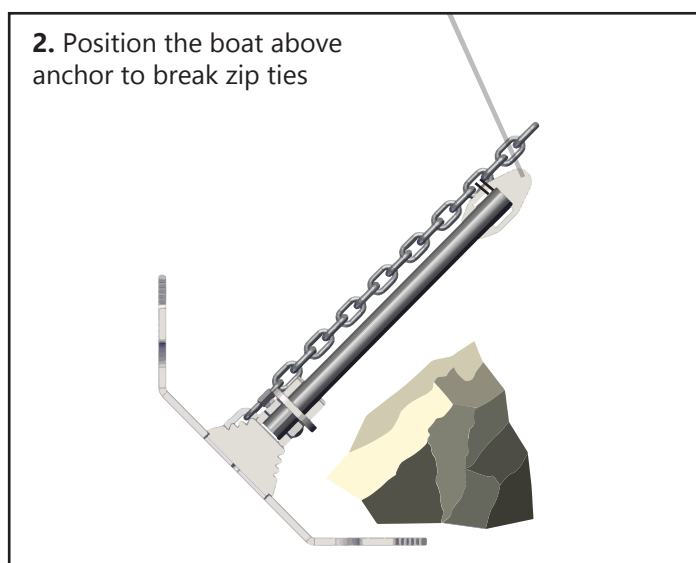
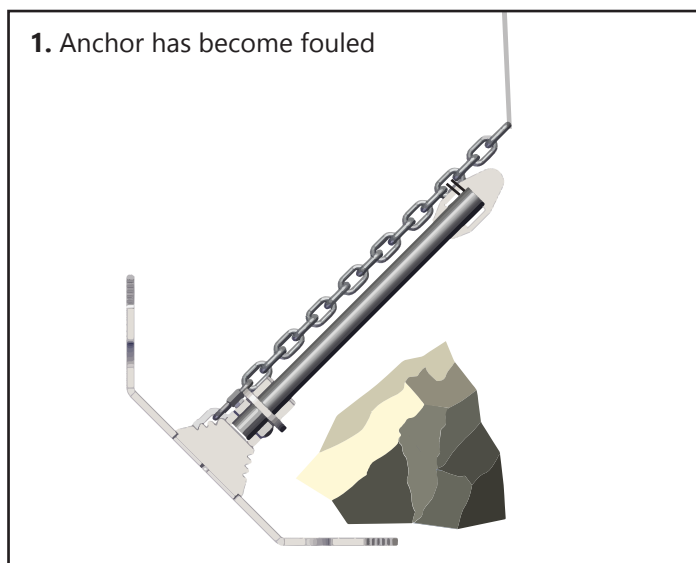
This is the heart and soul of our Columbia River Edition™ Anchors. We looked to several industries when we designed our FFP Grouser Fluke System™. From large dredge anchors, ocean anchors to earth moving equipment. Our goal was to design the absolute best anchor grouser we could. The final result is our FFP Grouser Fluke System™.

- **Serrations on the Fluke:** much like the serrations on a knife help you cut through tough items. The serrations on our Anchor tip really help the anchor to penetrate tough river bottoms and claw at gravel.
- **The overall shape of the Fluke:** We used 3-D CAD software to design the ultimate point shape for maximum penetrating and holding power.
- **Hole in Fluke:** The open hole in our fluke is designed to grab rocks on the river floor to help you anchor fast. When anchoring in sandy areas, the hole allows sand to ooze through it allowing the anchor to penetrate faster and stronger.
- **Bolt holes:** We designed into each anchor a slotted bolt hole so you can easily install our optional FFP Anchor Spades to get the ultimate holding power in rivers that have hard smooth bottoms.
- **Strength:** We used computer simulation to test the strength of our anchor flukes. By using F.E.A. "Finite Element Analysis" we were able to choose the optimum thickness of metal to get the maximum holding.



Breakaway System

Having a break free anchor system is nothing new. But what is new is the way we used our computers to design the perfect shape of the chain slide mechanism to ensure that when the breakaway system is used, the anchor will pull out at the optimum angle. Our Columbia River edition Anchors have a chain attached to our slide mechanism at the base of the anchor. The other end of the chain is zip-tied to the anchor shaft. You can control the amount of force it takes to engage the break free system by the amount of zip ties you use on the anchor. You attach your anchor rope to the loose end of the chain. In the event to anchor becomes fouled you can break the zip tie free causing the anchor to now be lifted by our slide mechanism



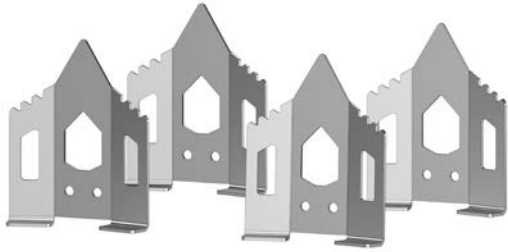
Recommended (4) Zip ties with 40 lbs anchors, (3) Zip ties with 32 lbs anchors,(2) Zip ties with 26 lbs anchors, (1) Zip ties with 16 lbs anchors.

See pgs. 19-20 Releasing a hung up anchor

ANCHOR SPADE KITS

PART #	DESCRIPTION	DIMENSION OF SINGLE SPADE
ITD5296	Anchor Spade Kit (4) Stainless Steel Anchor Spades Fits 26lb & 32lb Columbia River Edition Anchors	5" x 6 1/8" x 1 3/16"
ITD5067	Anchor Spade Kit (4) Stainless Steel Anchor Spades Fits 40lb Columbia River Edition Anchors	5 1/2" x 6 5/8" x 1 1/4"

ITD5296



Includes: (8) S.S. Mounting Bolts, (8) Nylock Nuts

ITD5067

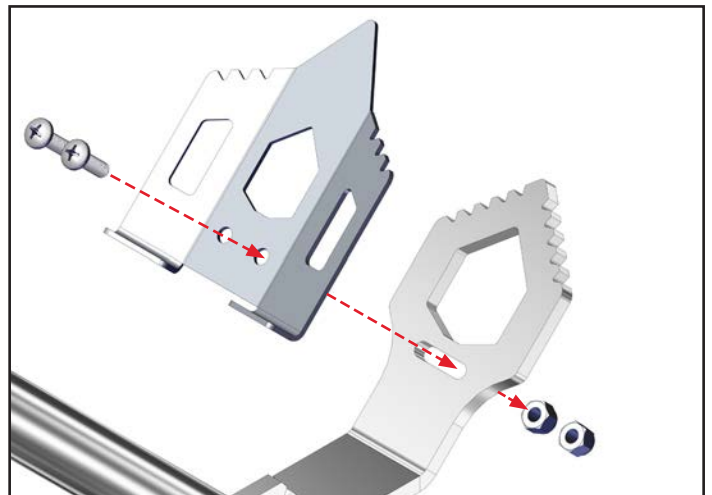


Includes: (8) S.S. Mounting Bolts, (8) Nylock Nuts

Installation



Install each spade with (2) Stainless Steel mounting bolt and (2) Nylock nuts. It is up to the installer to insure proper fit of each spade.



DECK MOUNT ANCHOR NEST

PART #	DESCRIPTION	DIMENSION
ITD5081	Deck Mount Anchor Nest (Holds 26-32lb. FFP Anchors)	20 11/16" x 13 1/2" x 2 1/4"

ITD5081

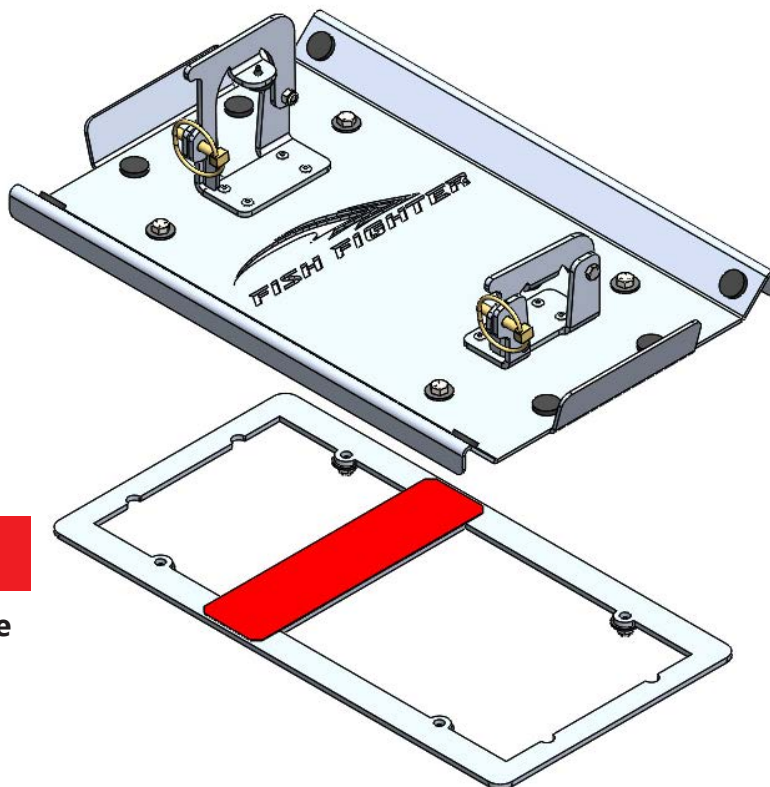


Install Guidelines

Each Deck Mount Anchor Nest comes with a spacer plate, that provides the Deck Mount Anchor Nest clearance from the mounting surface.

The spacer plate can be used as a drill template, making installation quicker and easy. Simply determine the best place for your Deck Mount Anchor Nest, and mark out mounting holes.

Installation hardware has been provided.



WARNING



It is up to the installer to ensure that the Deck Mount Anchor Nest is properly installed.

Latch Identification

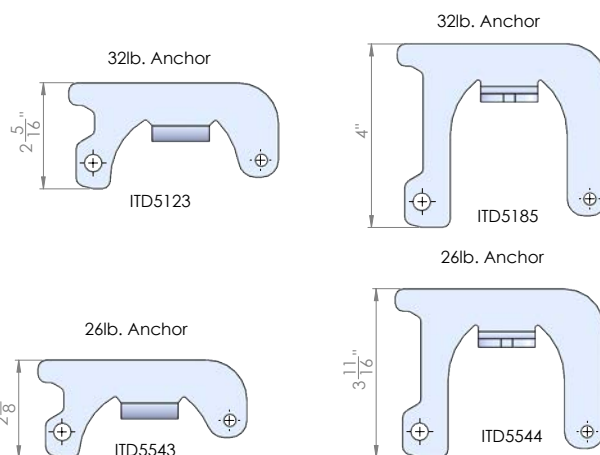
Each Deck Mount Anchor Nest comes with multiple latches to fit any 32 lb. or 26 lb. Columbia River™ Edition River Anchor.

32lb. fixed anchor
use (2) ITD5123

26lb. fixed anchor
use (2) ITD5543

32lb. folding anchor
use (1) ITD5123
and (1) ITD5185

26lb. folding anchor
use (1) ITD5543
and (1) ITD5544



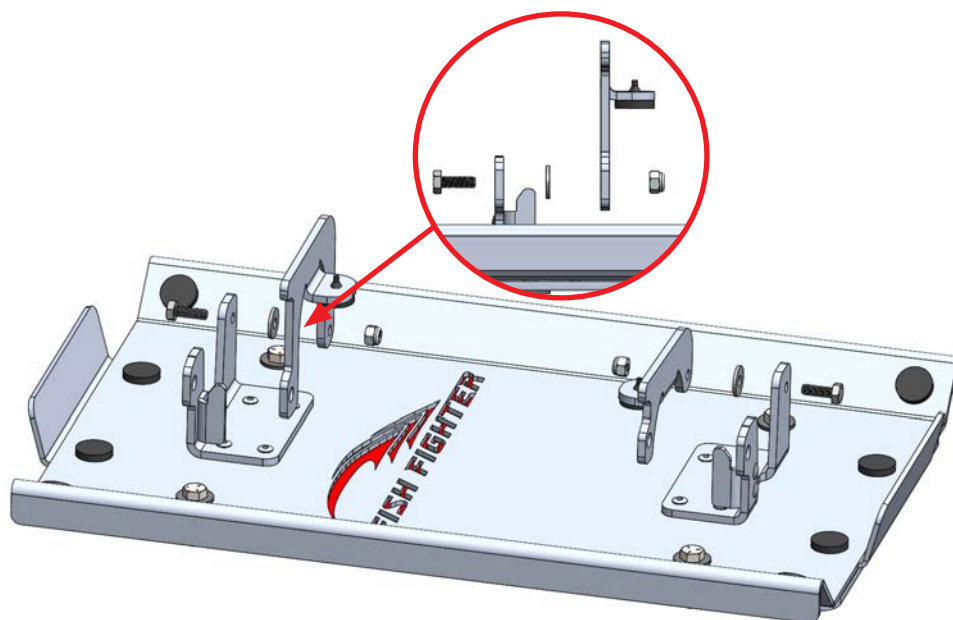
Latch Installation

Installation hardware is provided with every Deck Mount Anchor Nest.

- (2) 1/4"-20 X3/4" Hex Bolt
- (2) 1/4"-20 Nylock Nut
- (2) 5/16" Nylon Flat Washer

The 5/16" Nylon Flat Washer should be installed between the mounting bracket and the latch.

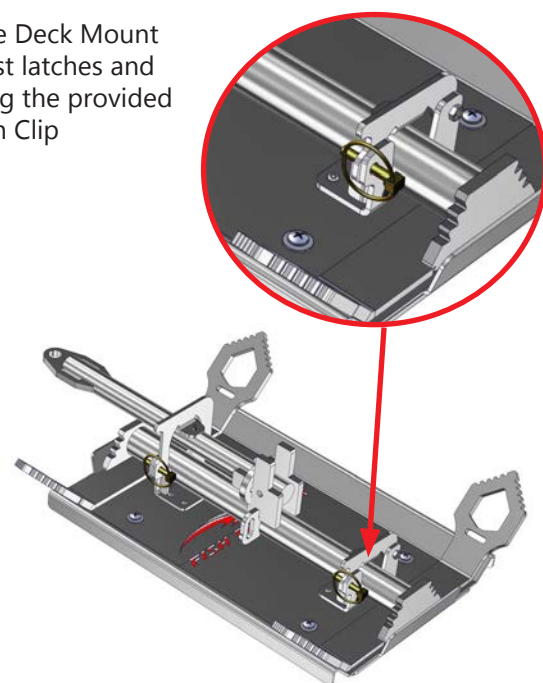
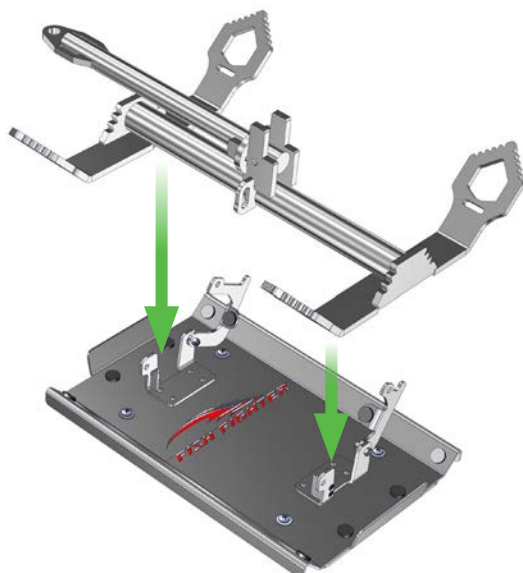
For correct installation, the flanges on the latches will point inward.



Nest your Anchor

1. Place your Columbia River Edition™ River Anchor into the unlocked cradle

2. Close the Deck Mount Anchor Nest latches and secure using the provided 5/16" Lynch Clip



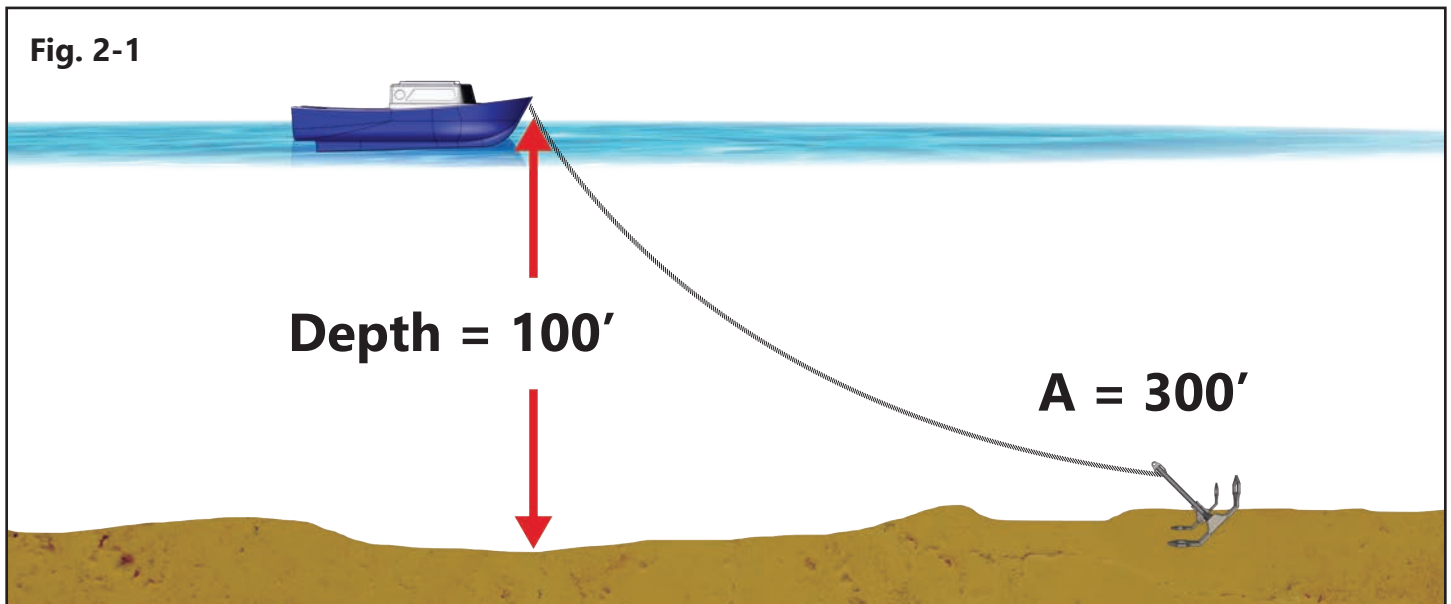
THE DANGERS OF ANCHORING

Each year boats capsize because of failure to follow proper anchoring guidelines.

- Please read and understand this manual completely.
- Understand this manual is just a guideline is not a substitution for hands on training by your local Coast Guard or water ways department.
- Always wear a proper fitting life jacket
- Never anchor in swift water
- Use Extreme caution when anchoring and always be in communication with the boats captain.
- Use Caution when setting or retrieving your anchor "Wear a life Jacket"
- Use Quick Release methods for securing anchor lines to your boat.
- Keep a sharp knife handy in the event you must cut the anchor line in an emergency.
- When pulling up your anchor, be sure to keep anchor rope out of boat motor.
- Use the correct amount of anchor rope minimum of 3 to 1 scope 4-5 to 1 recommended.

UNDERSTANDING SCOPE

Scope is the ratio of the length of deployed anchor rope to the height of the bow chock above the seabed. The greater the scope the more horizontal the pull on the anchor, and the better it will hold. FFP recommends that you take into account fluctuating river levels and give enough slack in your rope to compensate. (min of 3:1 scope – recommended 4-5:1 scope) See Fig. 2-1 showing a 3:1 scope.

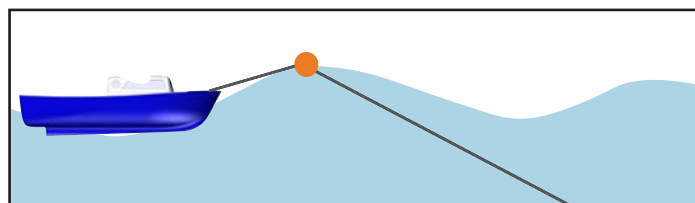
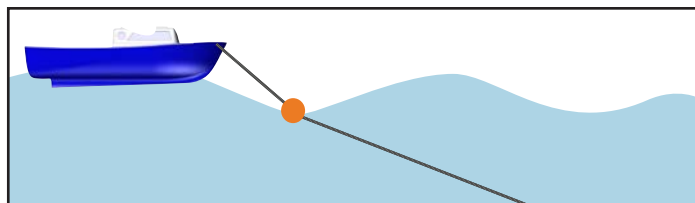
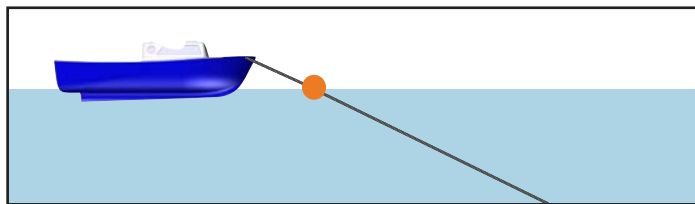


“SHOCK ABSORPTION” FROM BOUY

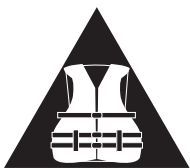
When using the Fish Fighter™ buoy system, the buoy will help act as a “shock absorber” from the waves.

If you have the proper amount of anchor line out and use the Fish Fighter Buoy System the buoy will help to absorb the wave action and help to keep from dislodging the anchor. If you look at the figure to the right you can see how the system works. This is especially important when fishing near heavy ship or barge traffic with large ship waves.

NOTE: When you use your FFP buoy you are also letting other boats know that you are anchored.



WARNING



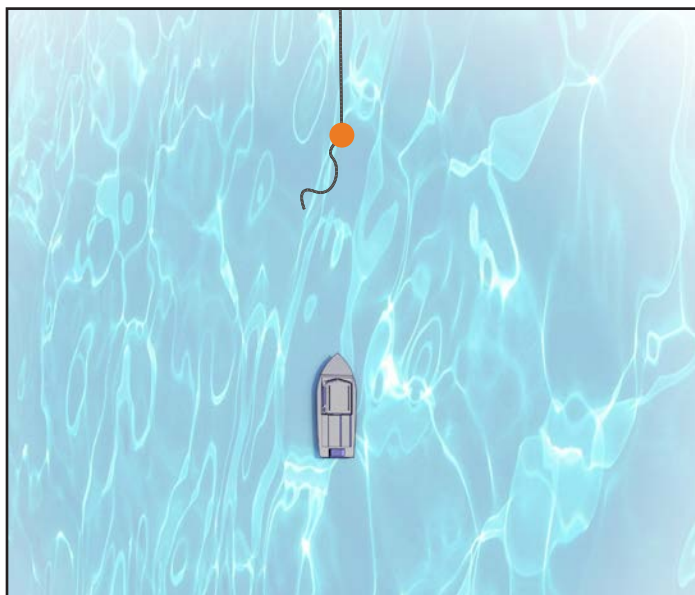
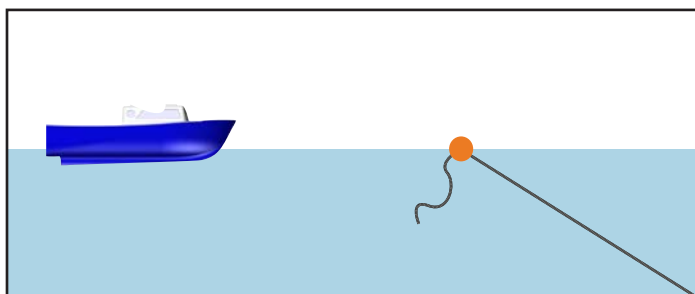
It is highly recommended that all passengers wear a life persevering safety jacket while aboard any operating water vessel. It only takes one mistake to end a life.

BUOY MARKS YOUR SPOT

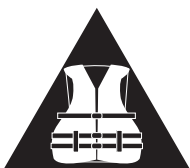
When you need to drop away from your anchor to fight a fish, having a buoy will mark your spot and will keep your anchor line from sinking.

We suggest that you put the tail end of your rope into the FFP anchor rope bag and tie it off to the bag. The FFP Anchor Rope bag floats so it works great when you release to fight a fish. Just tie the bag shut and toss out near your anchor buoy.

NOTE: If you do not use a floating anchor bag, you must tie a knot in the end of your anchor rope to keep Kwik-Pull from accidentally sliding off the anchor line.



WARNING



It is highly recommended that all passengers wear a life persevering safety jacket while aboard any operating water vessel. It only takes one mistake to end a life.

DROPPING ANCHOR

1. Understand anchoring scope and river current (See pg 11 Fig 2-1)

2. Select a position you wish to be anchored

3. Take your boat upstream or upwind from the position that you have selected. Be sure to take into account the amount of scope you will need. Example in slow river currents a 3 to 1 scope may be ok. If water is 50ft deep you would want to have at least 150ft of rope let out so you must pull at least 150ft forward of your desired anchor position. If the current is moderate we recommend a minimum of 4 to 1 scope so you would need to pull at least 200ft ahead of desired anchored boat position. (Fig 3-1)

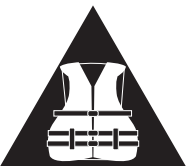
WARNING



Do not anchor in swift currents except in emergency situations.

4. From the bow of your boat, slowly lower your anchor to the bottom. Make sure the boat captain is watching and holding the boat in the correct position. Measure how much rope length it takes for the anchor to reach the bottom. This will determine how much scope you will need on the rope in the event you do not have a depth finder.

WARNING



It is highly recommended that all passengers wear a life persevering safety jacket while aboard any operating water vessel. It only takes one mistake to end a life.

5. With the boat under power, slowly back the boat down current or downwind, slowly letting out your anchor rope. (Fig 3-2)

6. Back the boat to within 20ft of your desired anchored position. Attach your buoy to the anchor rope and let it feed into the water. (Fig 3-3)

7. Back the boat into your final position. Tie off your line using a quick release anchor knot to an anchor cleat at the bow of the boat. Keep a sharp knife close to the anchor line in case of emergency and you must cut your anchor line free. (Fig 3-4)

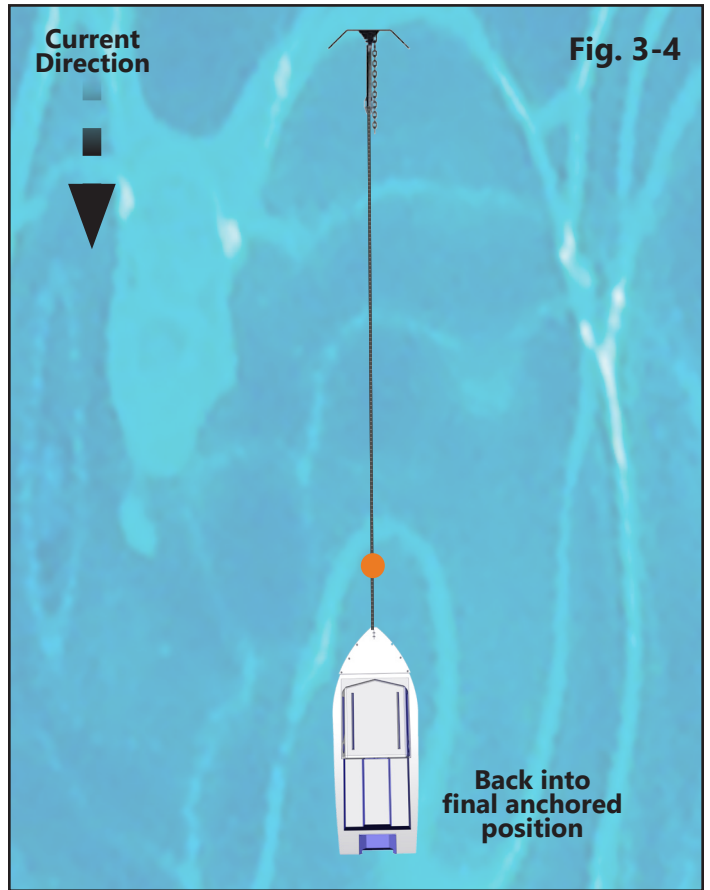
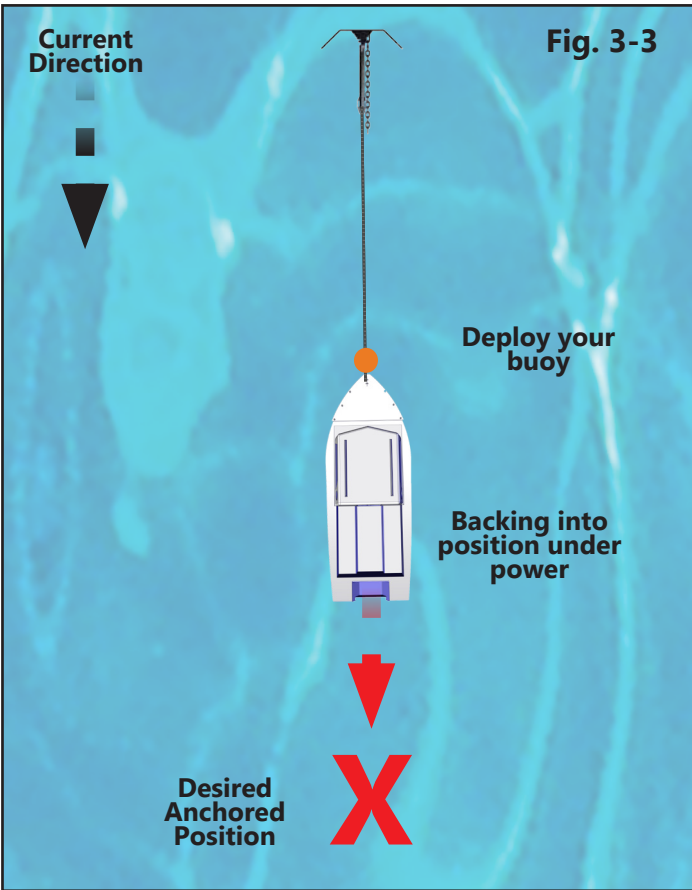
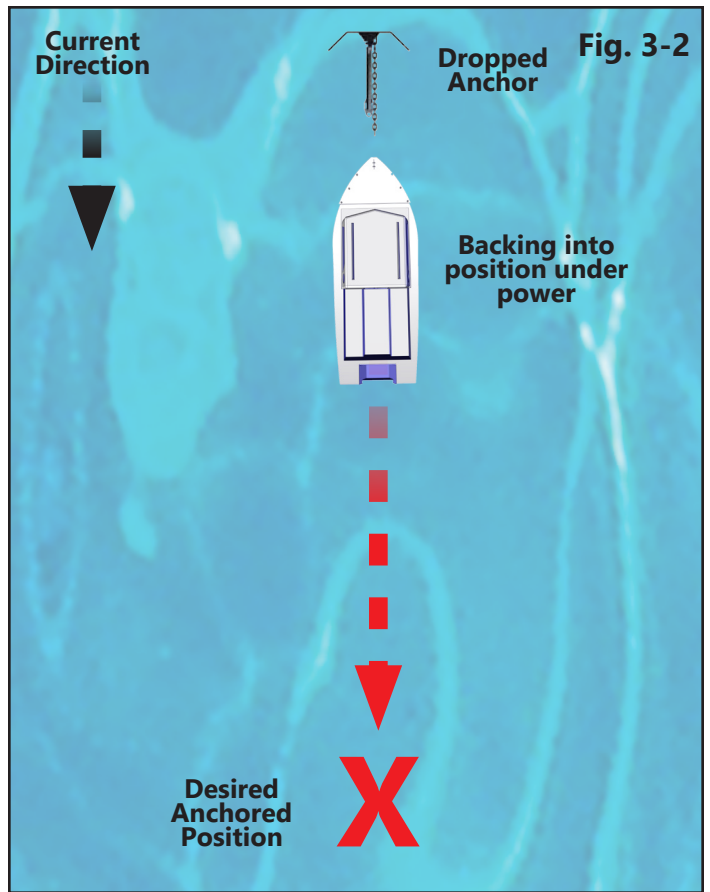
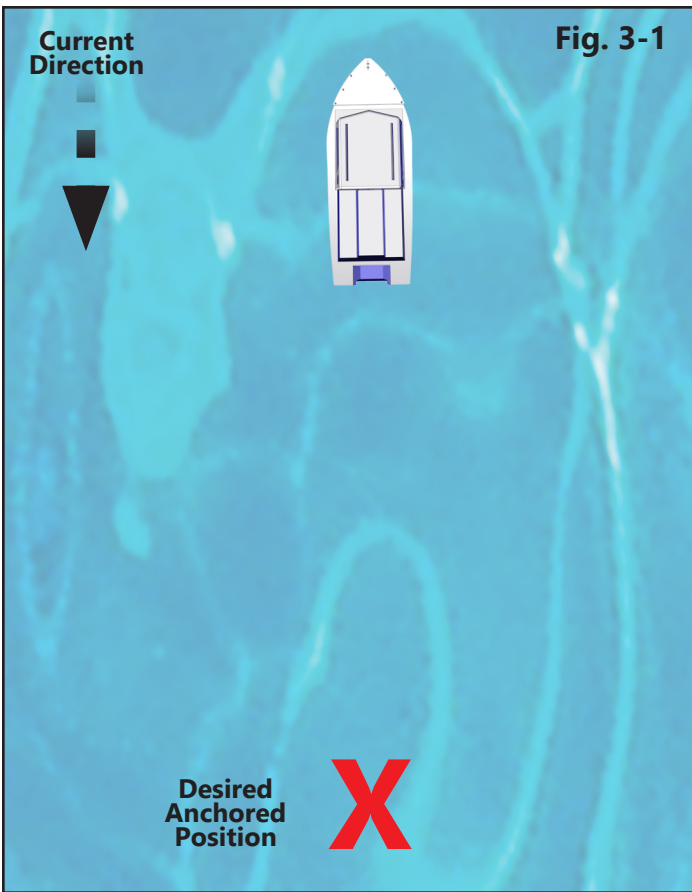
WARNING



Never anchor from the stern of the boat. Anchoring from the stern can cause the boat to flood with water and sink!



Practice tying a quick release knot before heading onto the water.



PRECISION BOAT CONTROL WITH DRIFT BOAT SOCKS

There are times that you may want to make adjustments in your position while anchored. You can move your boat Left/Port or Right/Starboard while on anchor if you have river current. You can achieve this by using different bow chocks and deploying a drift sock.

Bow Chocks are mounted on the bow and are used to change the direction that the boat pulls from the anchor.

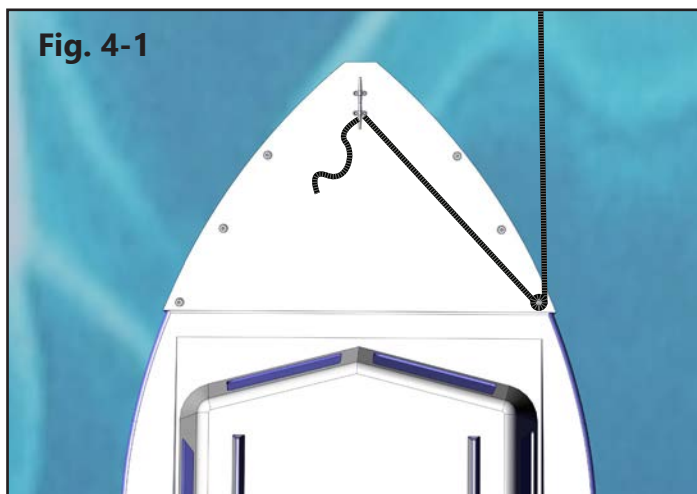
In the figures below we want to chock the boat over to the Right / Starboard about 6ft from where it was originally anchored. We can achieve this by using the following process.

1. Attach your anchor line over a port side bow chock as shown **Fig. 4-1**.

2. Deploy a drift sock on the same side of your boat **Fig. 4-2**. The drift sock will provide drag from the current and shift your anchored position. Depending on how far over you chock your anchor rope will dictate how far over your boat will move.

3. To Move the boat the other direction move the Chock to the Left/Starboard and Move Drift Sock to Right/Port Side **Fig. 4-3**

4. To go back to anchoring in the center put the Anchor Rope straight off the center boat cleat.



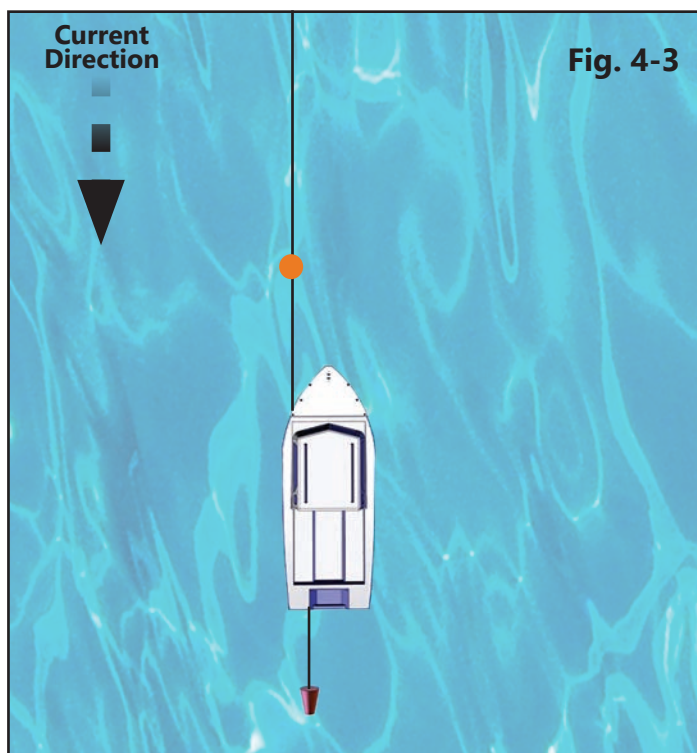
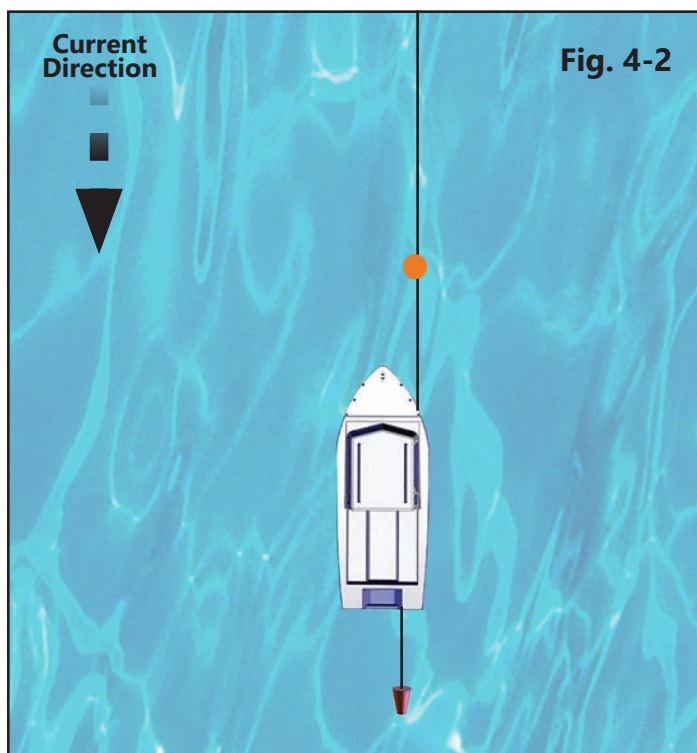
WARNING

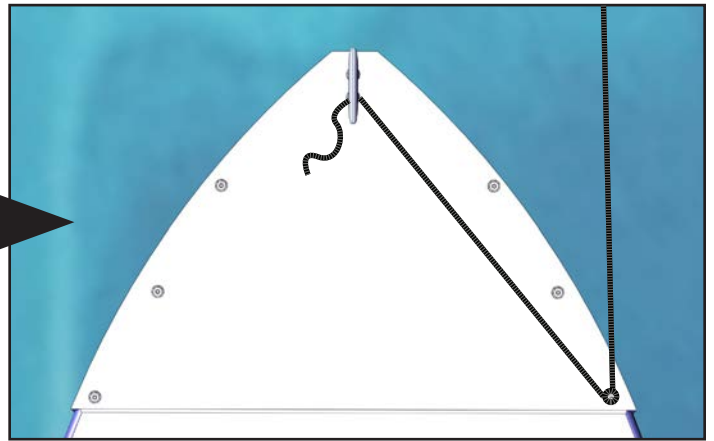
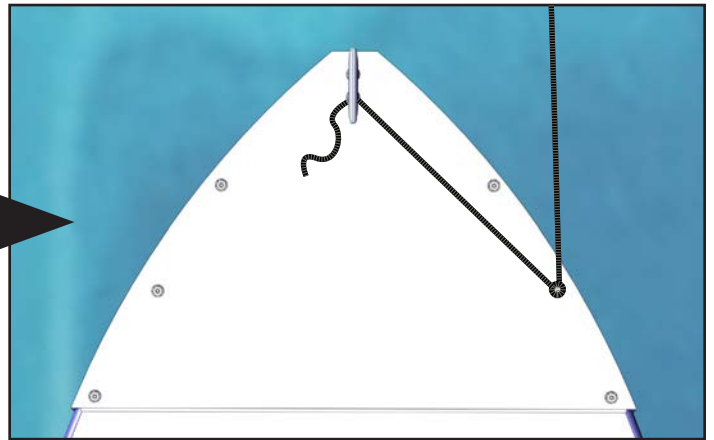
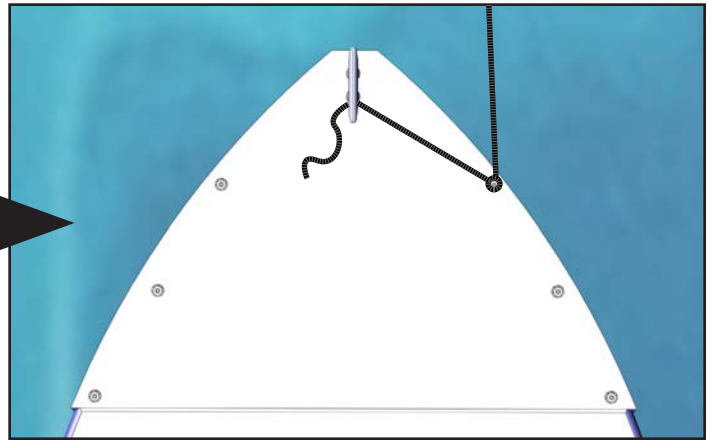
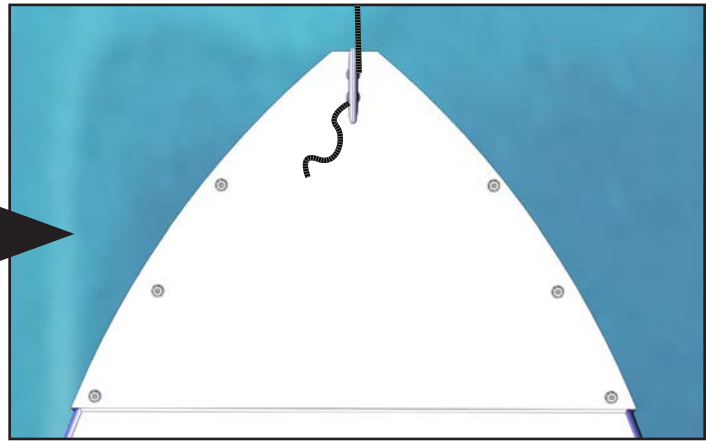
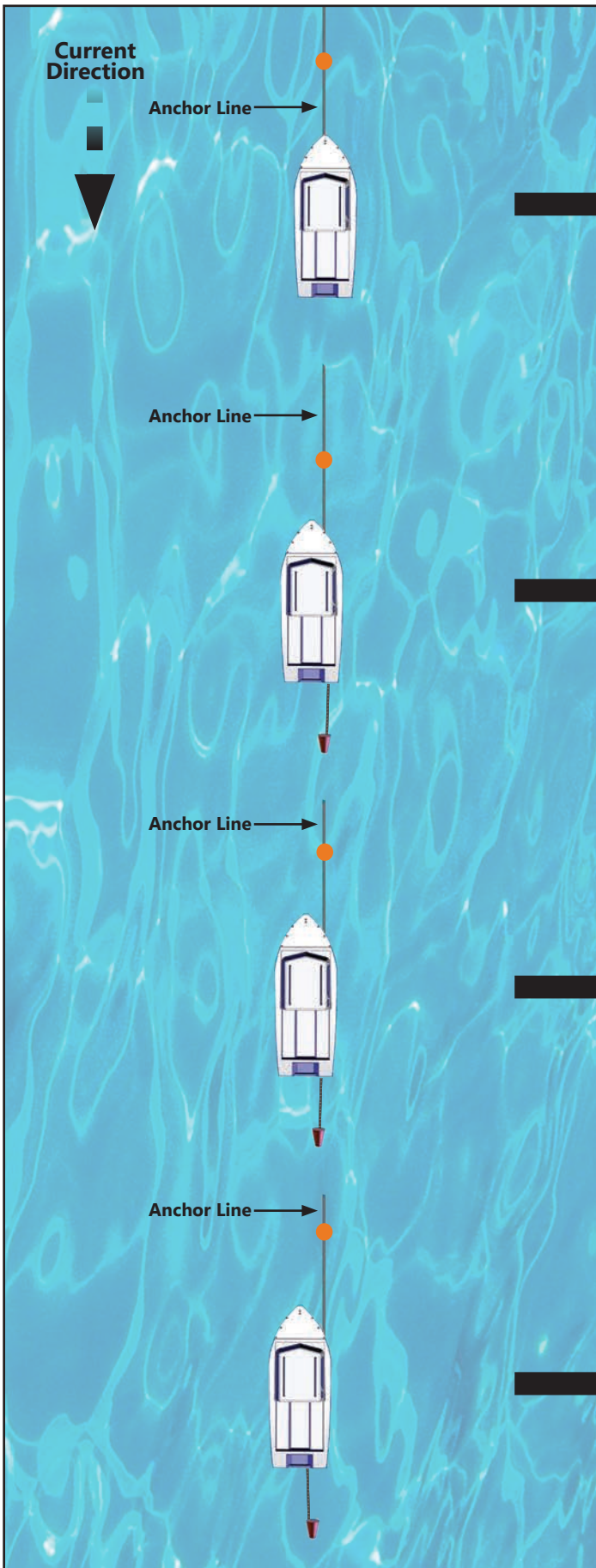


It is highly recommended that all passengers wear a life persevering safety jacket while aboard any operating water vessel.

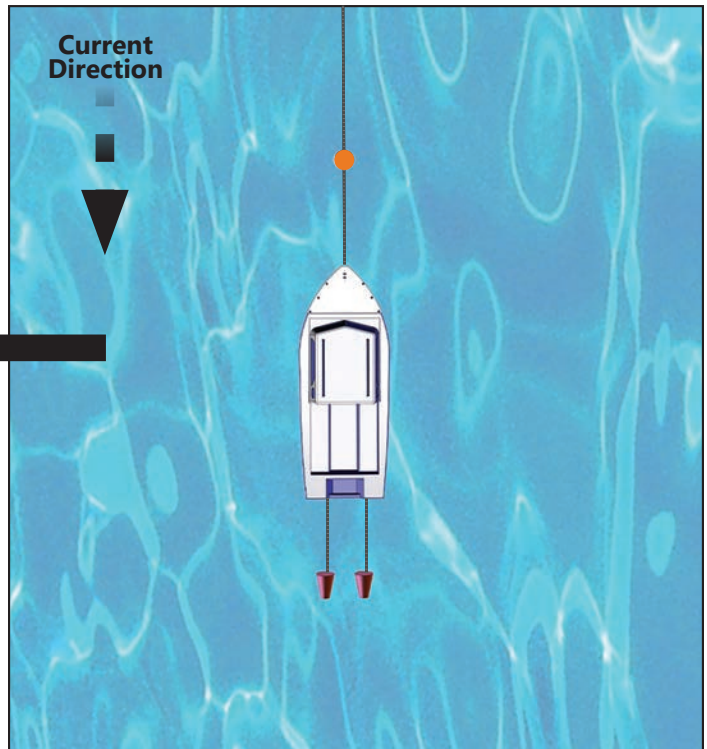
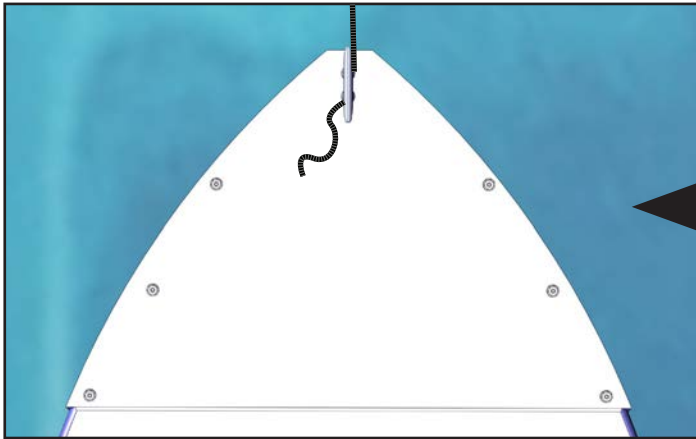


Do not anchor in swift currents except in emergency situations.





For gaining more stability when anchoring of the center position, you may employ a drift sock on both Left/Port or Right/Starboard side of the boat.



ANCHOR RETRIEVAL

1. Tie off the anchor line to bow of the boat, use a quick release knot or quick release mechanism.
2. Make sure everyone on board is aware of what is happening. Start the boat, swing your boat out and around the anchor buoy heading upstream or upwind from your anchored position. **Fig 5-1**
3. Keep a visual on your anchor line and verify that you swing around the anchor line so that it does not go under the boat. If the anchor line goes under the boat there is a danger it will get sucked into your motor. **Fig 5-2**
4. Drive upstream or upwind until the buoy slides down the anchor line and brings the anchor to the surface. Tow your buoy and anchor to open water away from all other boats and hazards. **Fig 5-3**
5. Once you are clear of other boats, have the boat captain hold the boat so you can bring the anchor rope in. From the front of your boat pull your anchor line into your anchor bag, and retrieve your anchor from the water. **Fig 5-4**

WARNING

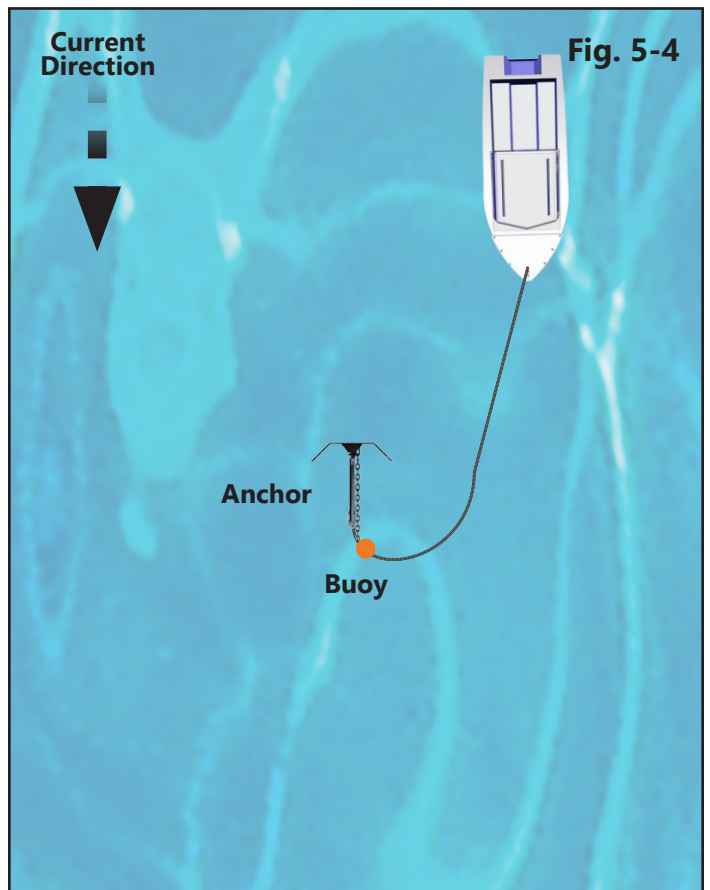
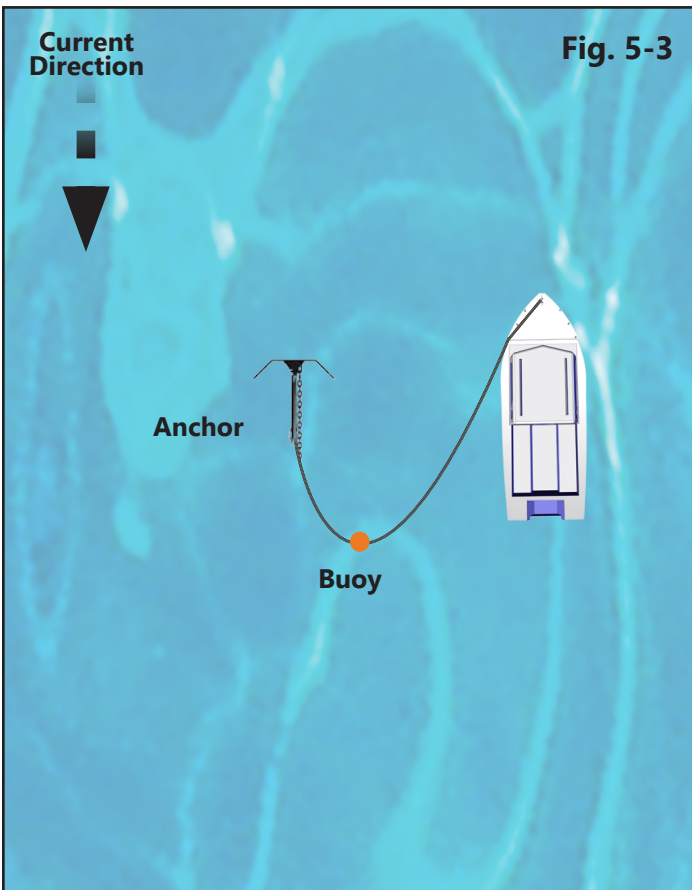
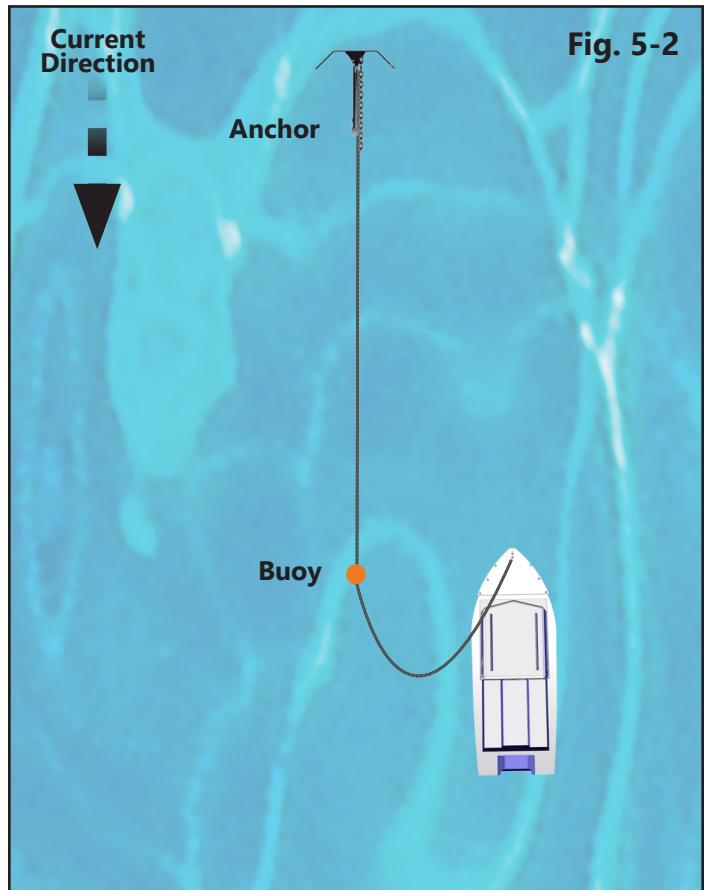
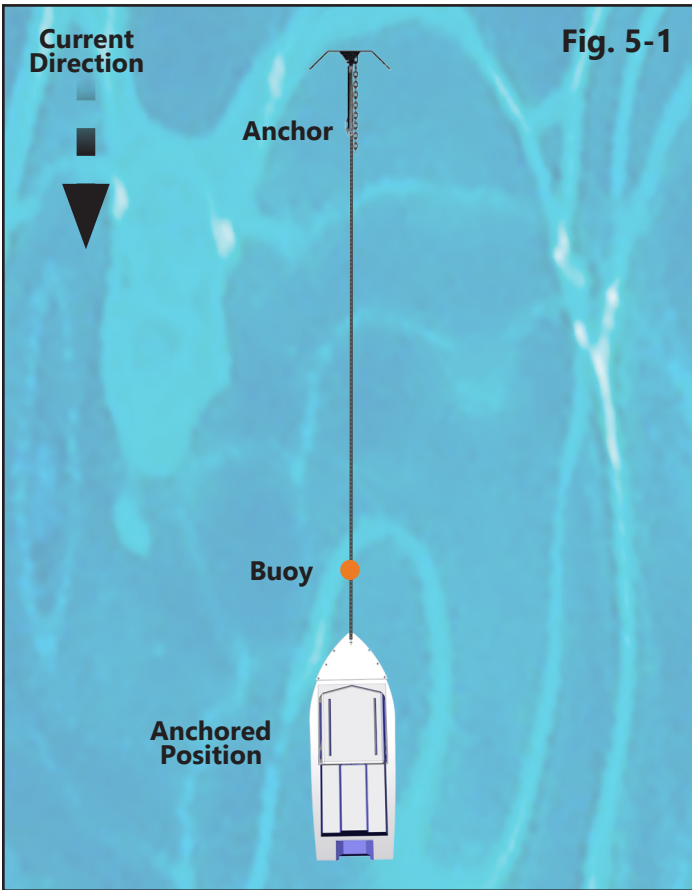


Be aware of water depth as the anchor will be suspended under the Buoy.

WARNING



We recommend that you do not hand coil your anchor line, just feed it into your anchor bag.



HOW TO RELEASE A HUNG UP ANCHOR

1. Position boat over anchor. See **Fig. 6-1**
2. Tie off the anchor line to bow of the boat, use a quick release knot or quick release mechanism.
3. Make sure everyone on board is aware of what is happening. Start the boat, swing your boat out from anchor line heading upstream from your anchored position. See **Fig. 6-2**
4. Idle boat forward allowing the boat to pull on the anchor line until zip tie breaks and shifts the anchor line attachment point to the eyelet on the base of the anchor.
5. Move upstream or upwind slowly pulling it free from its stuck position. See **Fig. 6-3**
6. Drive upstream or upwind until the buoy slides down the anchor line and brings the anchor to the surface. Tow your buoy and anchor to open water away from all other boats and hazards. See **Fig. 6-4**

WARNING



If you pull on stuck anchor by hand be very aware that when the Zip Tie Breaks there will instantly be about 3 feet of slack in the anchor line and you may fall over board. Use extreme caution if you decide to try and dislodge a stuck anchor by hand!

WARNING



Be aware of water depth as the anchor will be suspended under the Buoy.

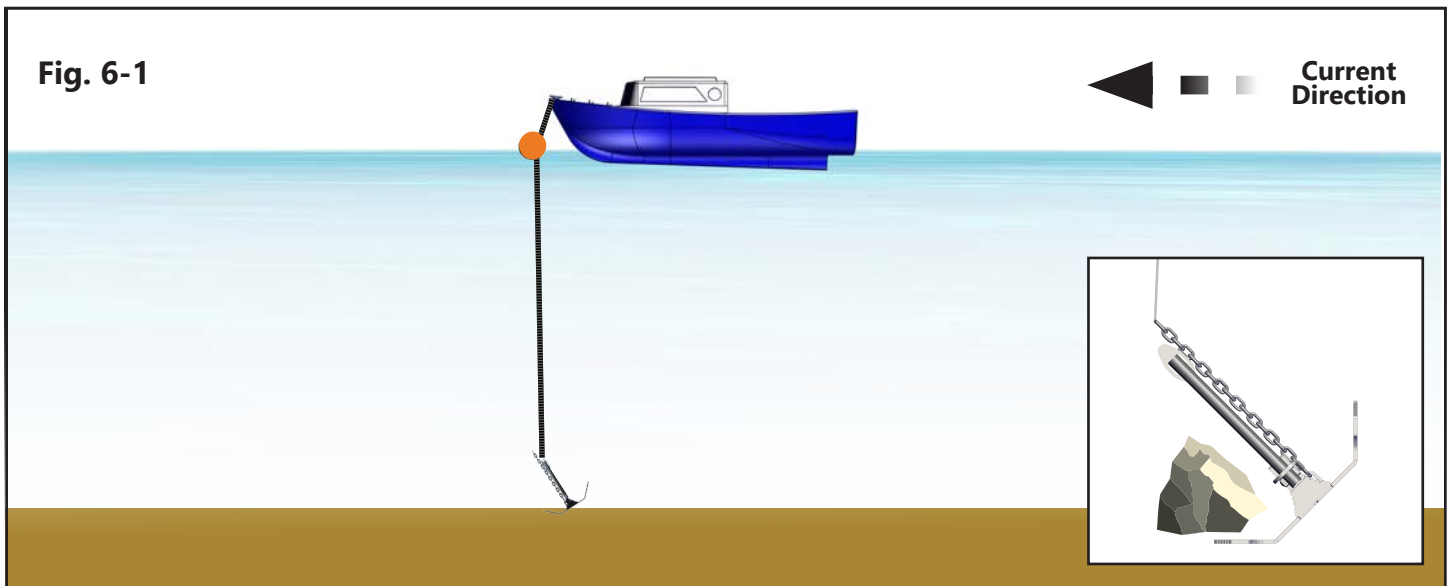


Fig. 6-2

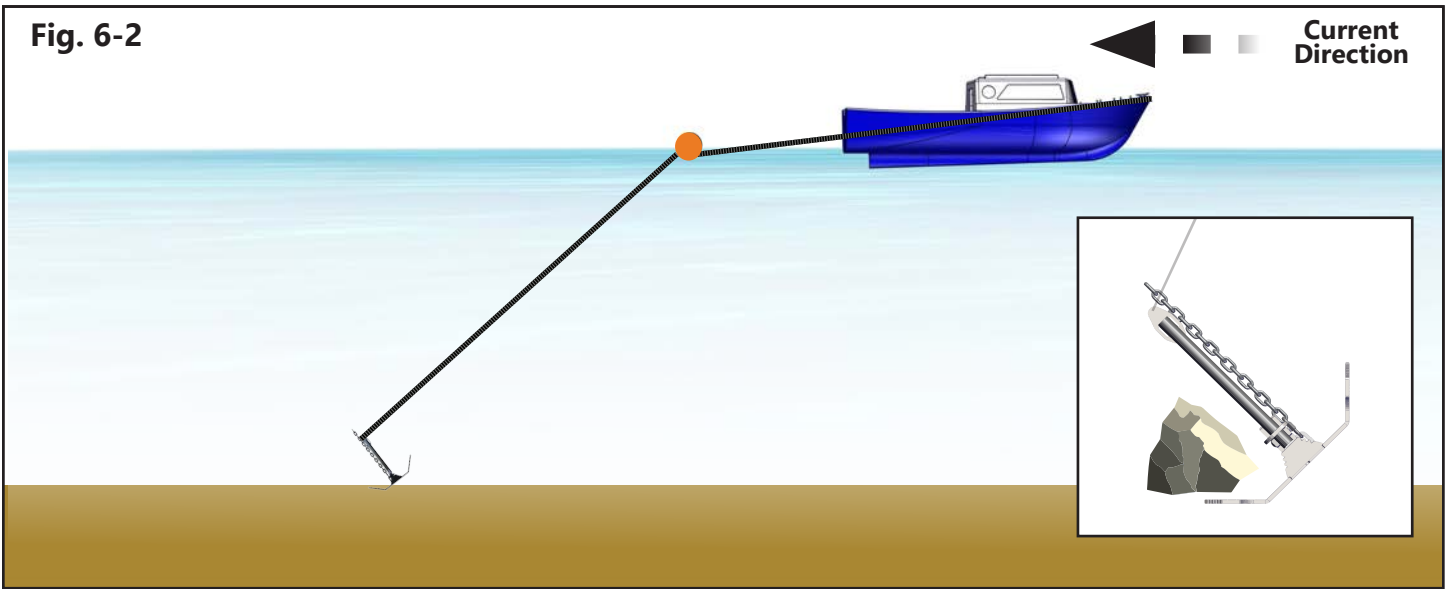


Fig. 6-3

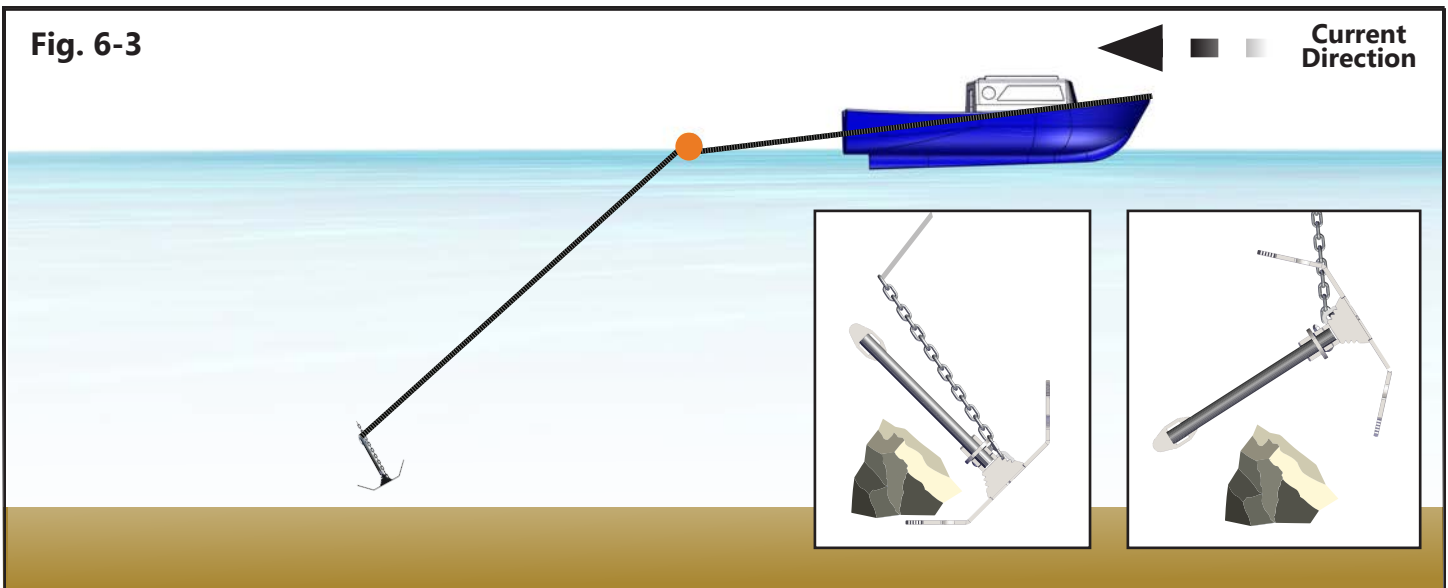


Fig. 6-4

