



FISH FIGHTER[™]
Products

***FFP BOW MOUNT
ANCHOR NESTS***





FISH FIGHTER[™]
Products

RELENTLESSLY IN THE PURSUIT OF BIG FISH

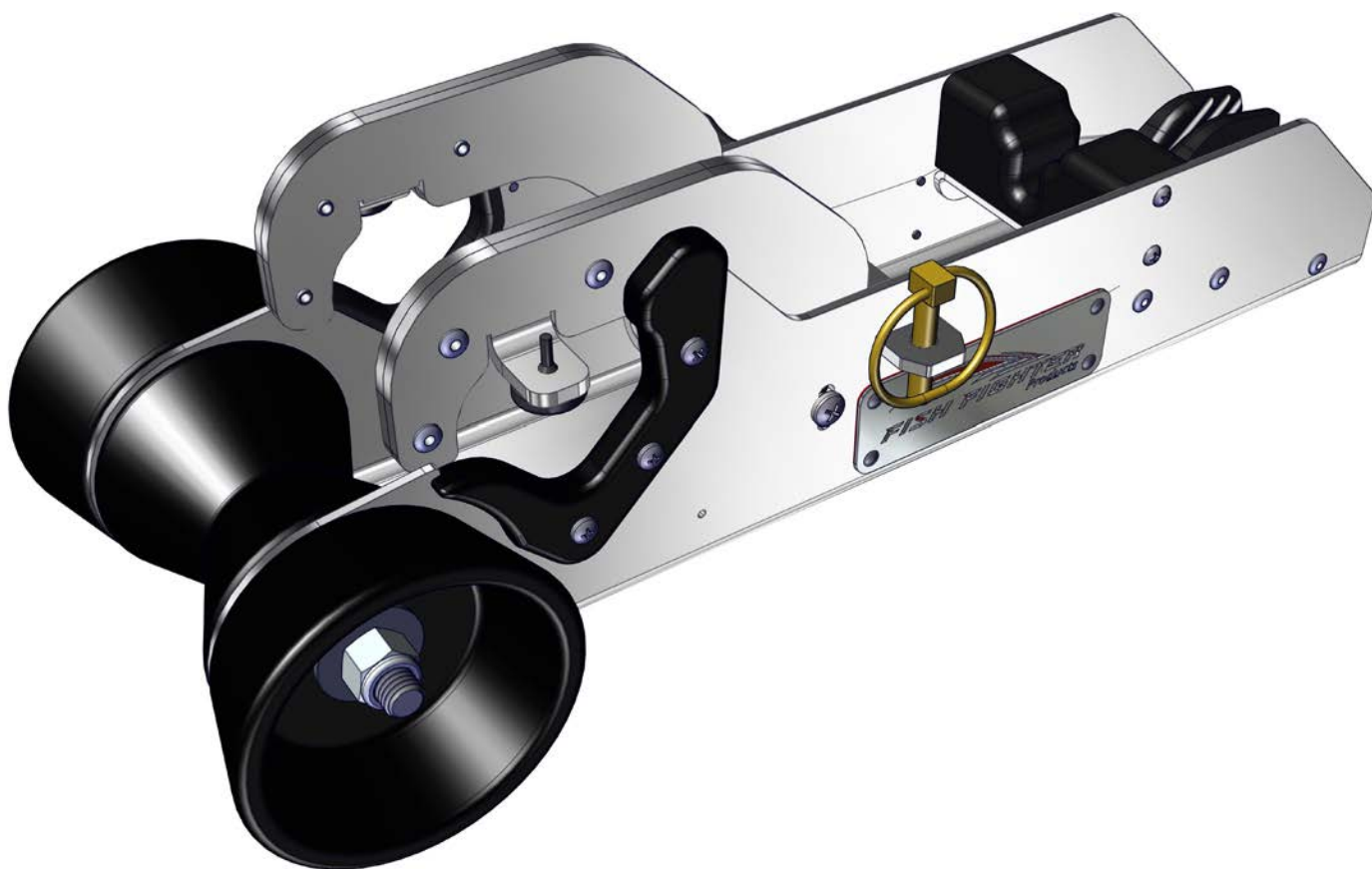


TABLE OF CONTENTS

Bow Mount Anchor Nests	Pgs. 1
Bow Mount Anchor Nests Comparison	Pgs. 2
Adjusting the Nests to Fit your Anchor	Pgs. 2
ITD5090 Dimensions.....	Pgs. 3
ITD5690 Dimensions.....	Pgs. 4
Replacement Parts	Pgs. 5
Loading Anchor	Pgs. 6-7
Rope Cleat.....	Pgs. 8

BOW MOUNT ANCHOR NESTS

PART #	DESCRIPTION
ITD5090	Bow Mount Anchor Nest For 26,32, And 40 lb Breakaway River Anchors
ITD5690	Extreme Duty Bow Mount Anchor Nest For 26,32, And 40 lb Breakaway River Anchors

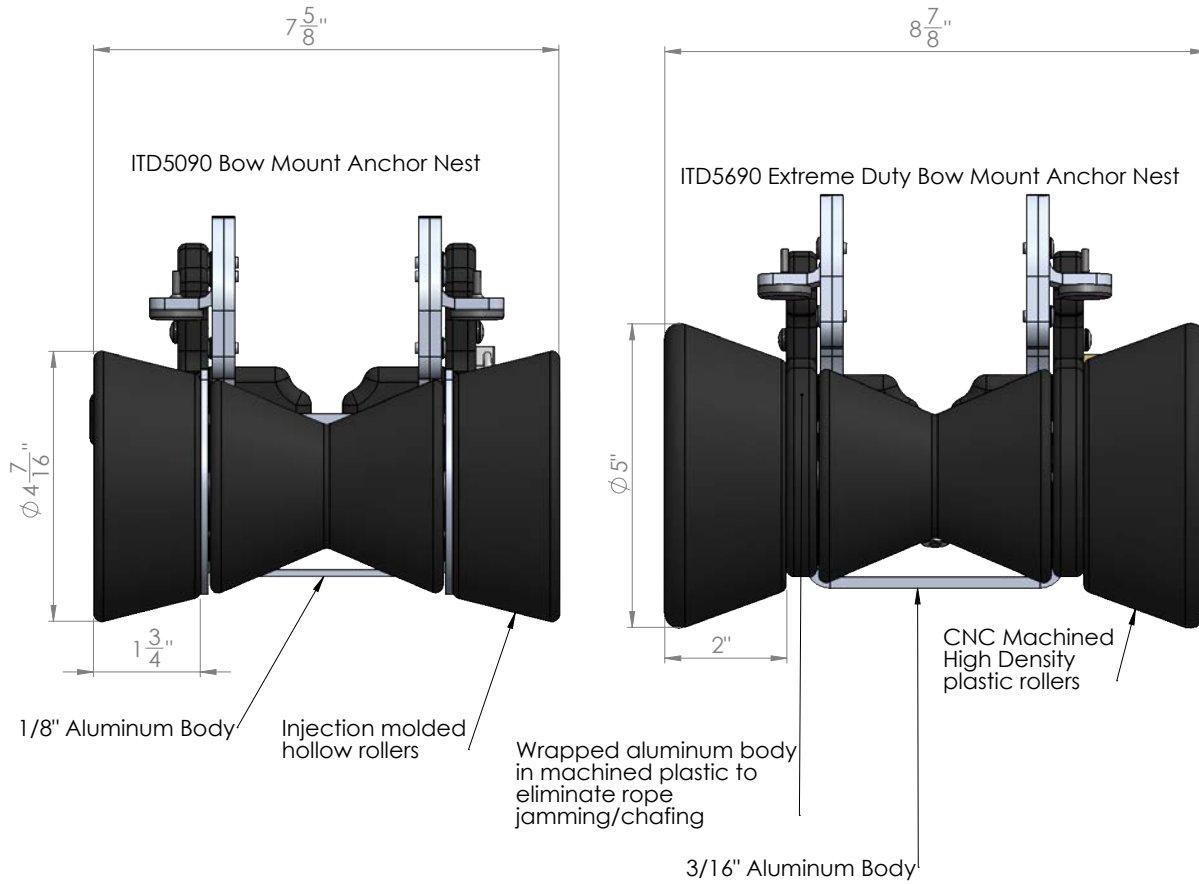
ITD5090 - Bow Mount Anchor Nest



ITD5690 - Extreme Duty Bow Mount Anchor Nest

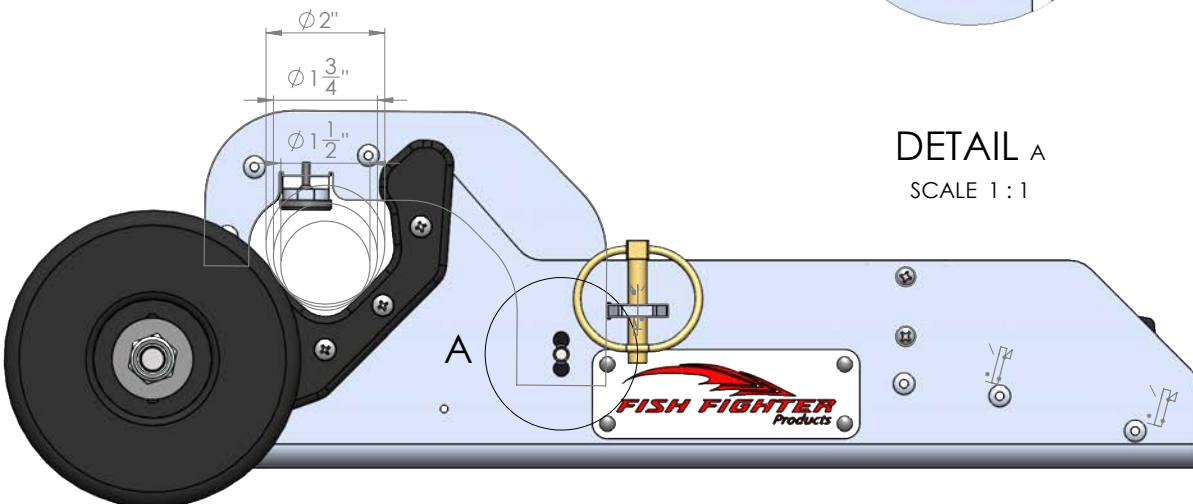
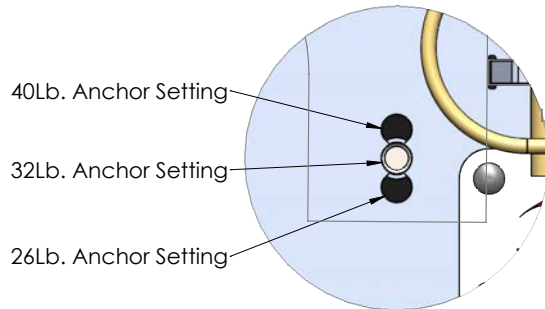


Bow Mount Anchor Nests Comparison

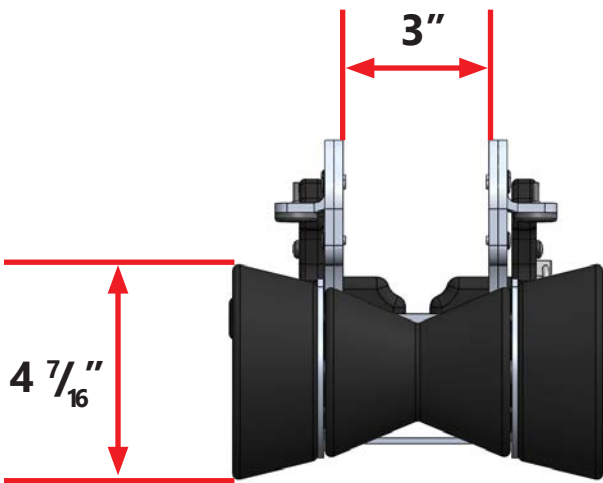
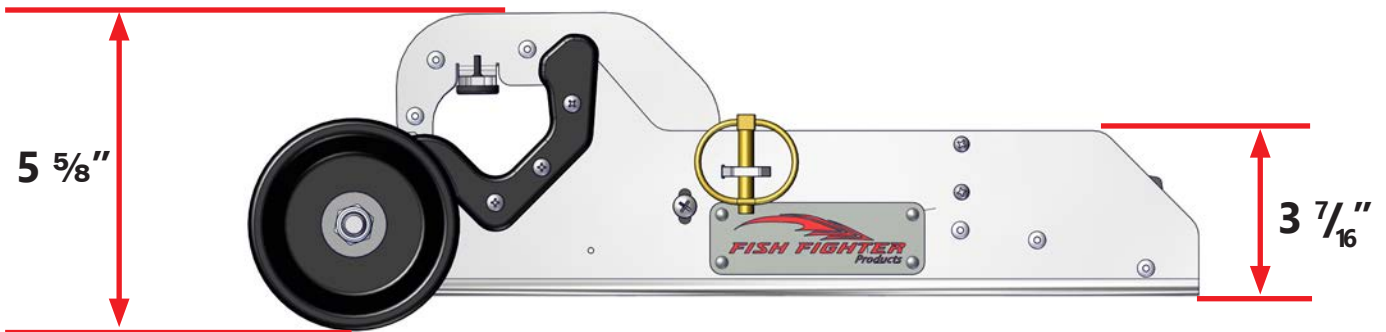
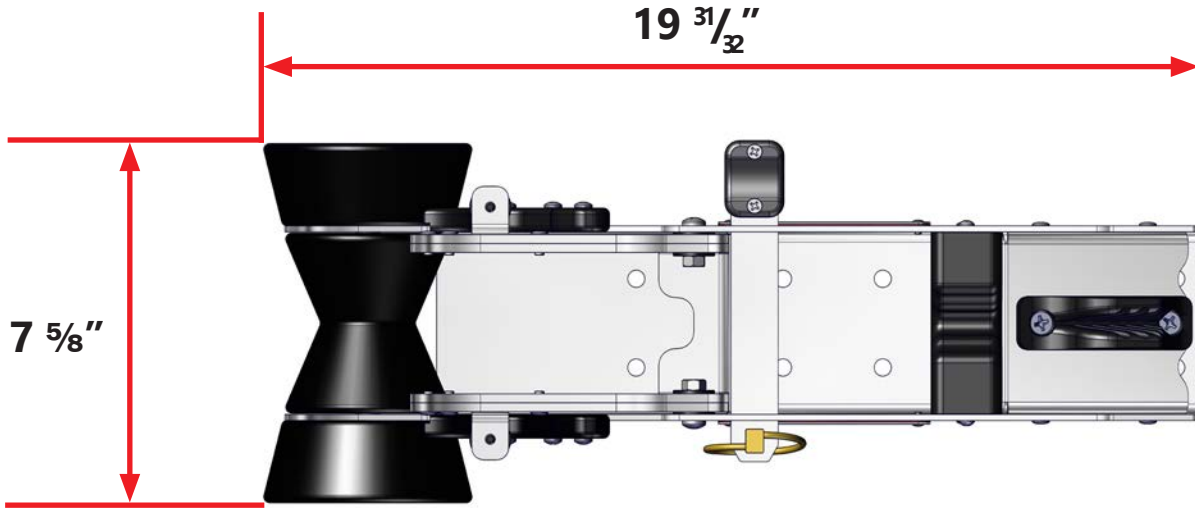


Adjusting The Nest To Fit Your Anchor

To adjust the anchor nest to fit your anchor, simply remove the 2 pivot bolts and set the anchor latch at the appropriate height setting



ITD5090 - Bow Mount Anchor Nest Dimensions

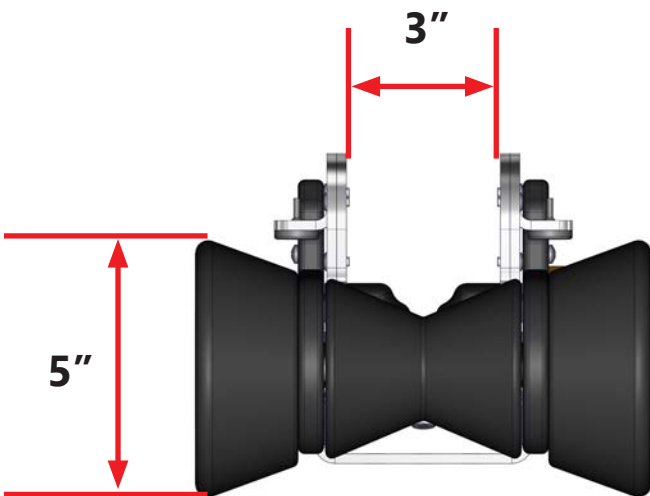
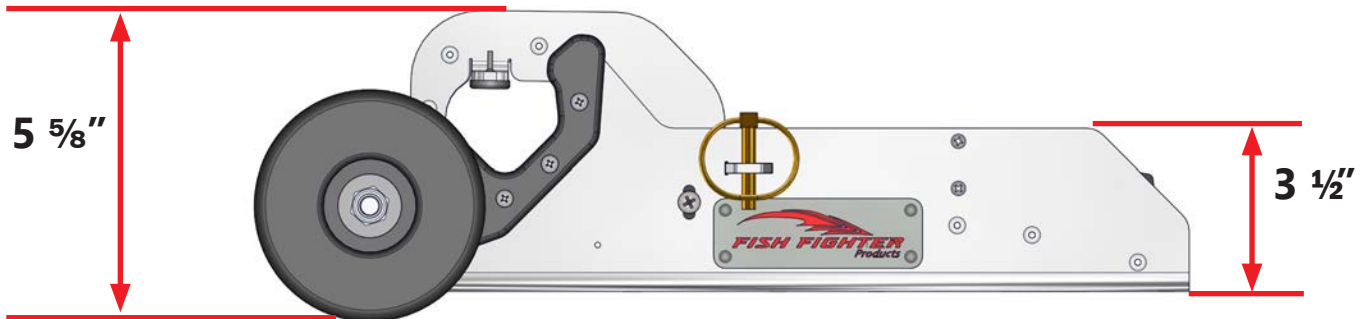
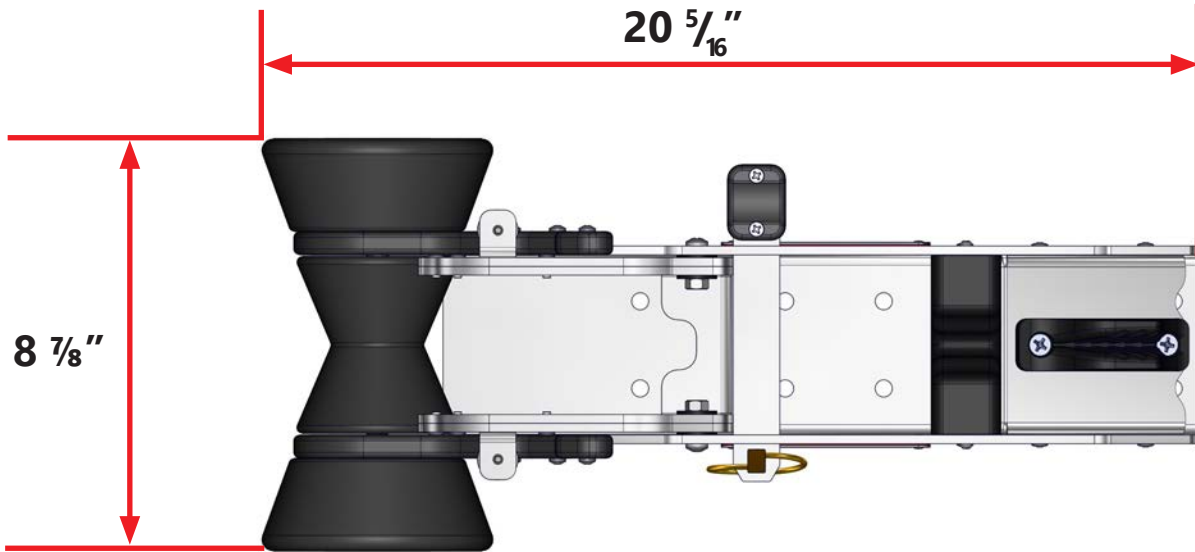


WARNING



It is up to the installer to ensure that the Deck Mount Anchor Nest is properly installed. Test fit anchor in the nest on the boat to check anchor clearance from the bow

ITD5690 - Extreme Duty Bow Mount Anchor Nest Dimensions



WARNING

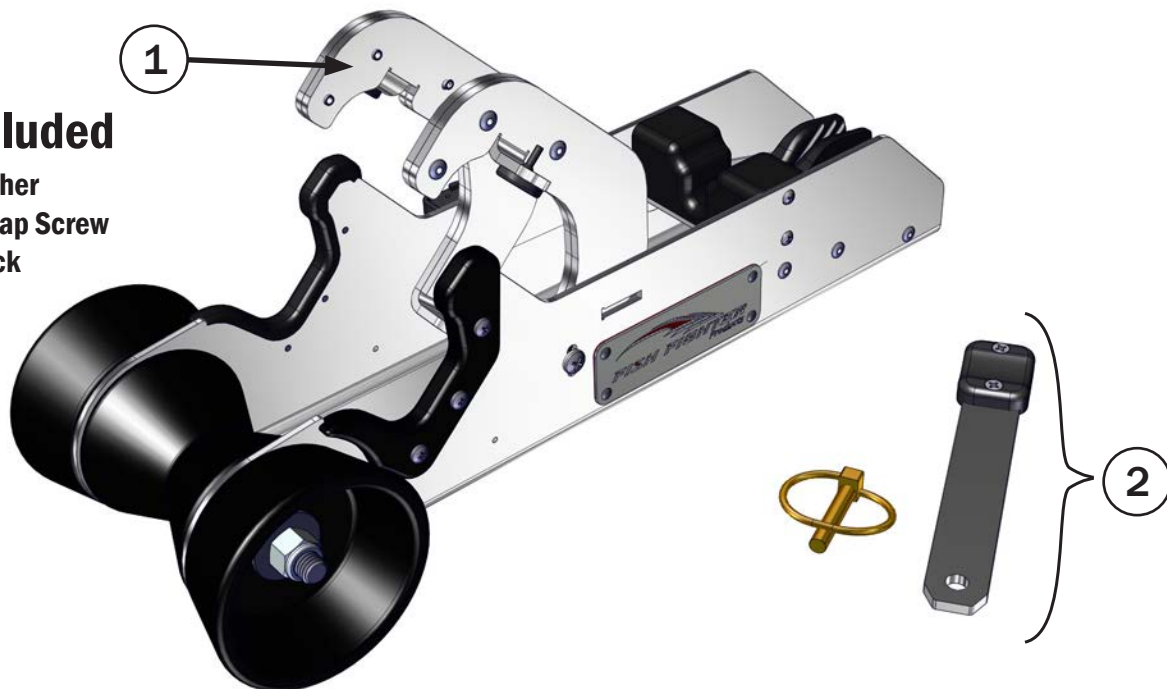


It is up to the installer to ensure that the Deck Mount Anchor Nest is properly installed. Test fit anchor in the nest on the boat to check anchor clearance from the bow

Replacement Parts

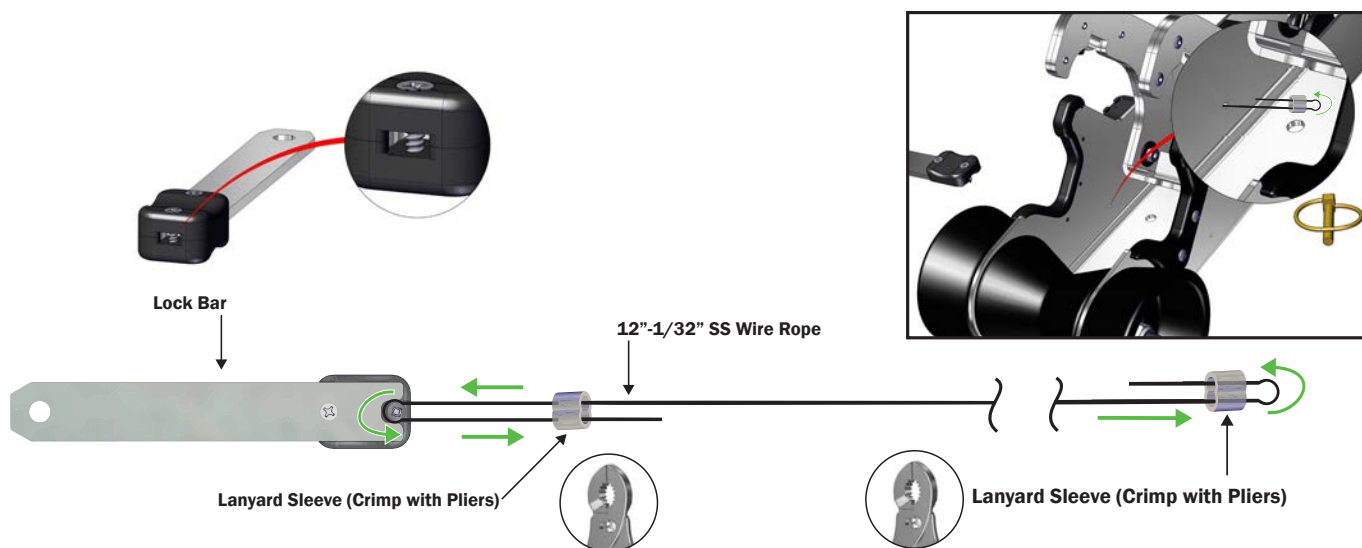
Hardware Included

- (4) - 5/16" Nylon Washer
- (2) - 1/4" 20 X 1 SS Cap Screw
- (2) - 1/4"-20 SS Nylock

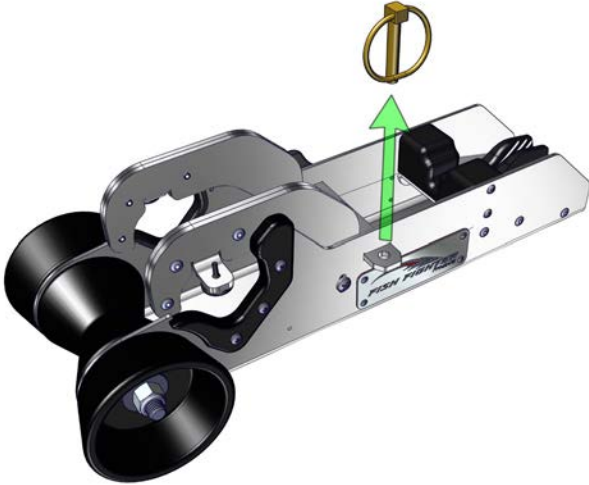


Bow Mount Anchor Nests		
Item #	Part #	Description
1	ITD5573	Anchor Latch with Rubber Bumpers (Includes Mounting Hardware, fits both styles of anchor nests)
2	ITD5574	Lock Bar with Handle, Lynch clip, and Lanyard

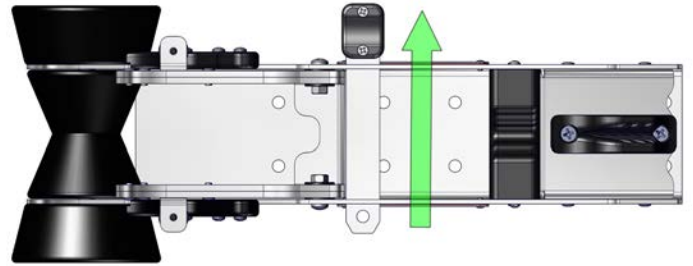
Installing Replacement Lanyard



Loading Anchor



Pull Lynch pin from Lock Bar



Pull Lock Bar from Anchor nest



Open Anchor Latch



Retrieve Anchor with the chain facing up



Once the Anchor has been retrieved and put into the nest, close the anchor latch

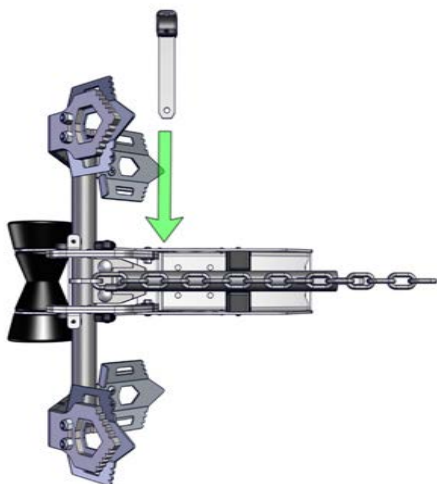
WARNING



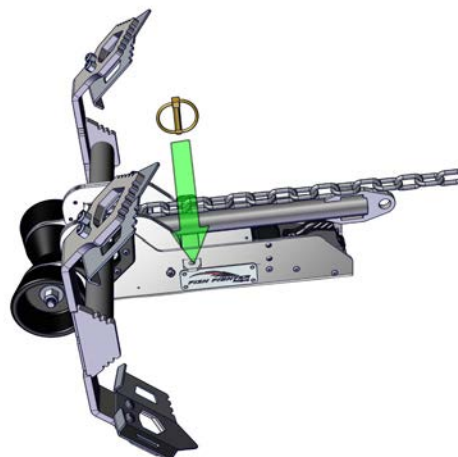
Observe any and all local and state regulations regarding operating watercraft



Do not anchor in swift currents except in emergency situations.

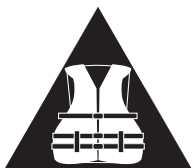


Replace Lock bar



Replace Lynch Pin to lock anchor in place

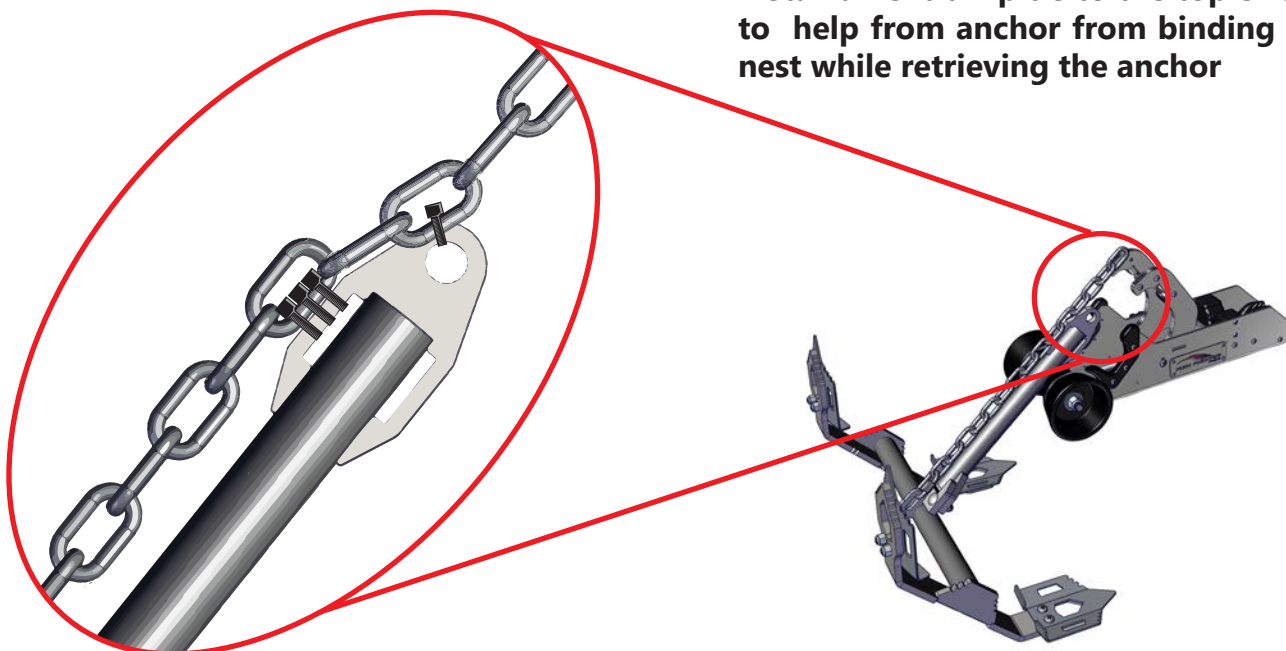
WARNING



It is highly recommended that all passengers wear a life persevering safety jacket while aboard any operating water vessel.

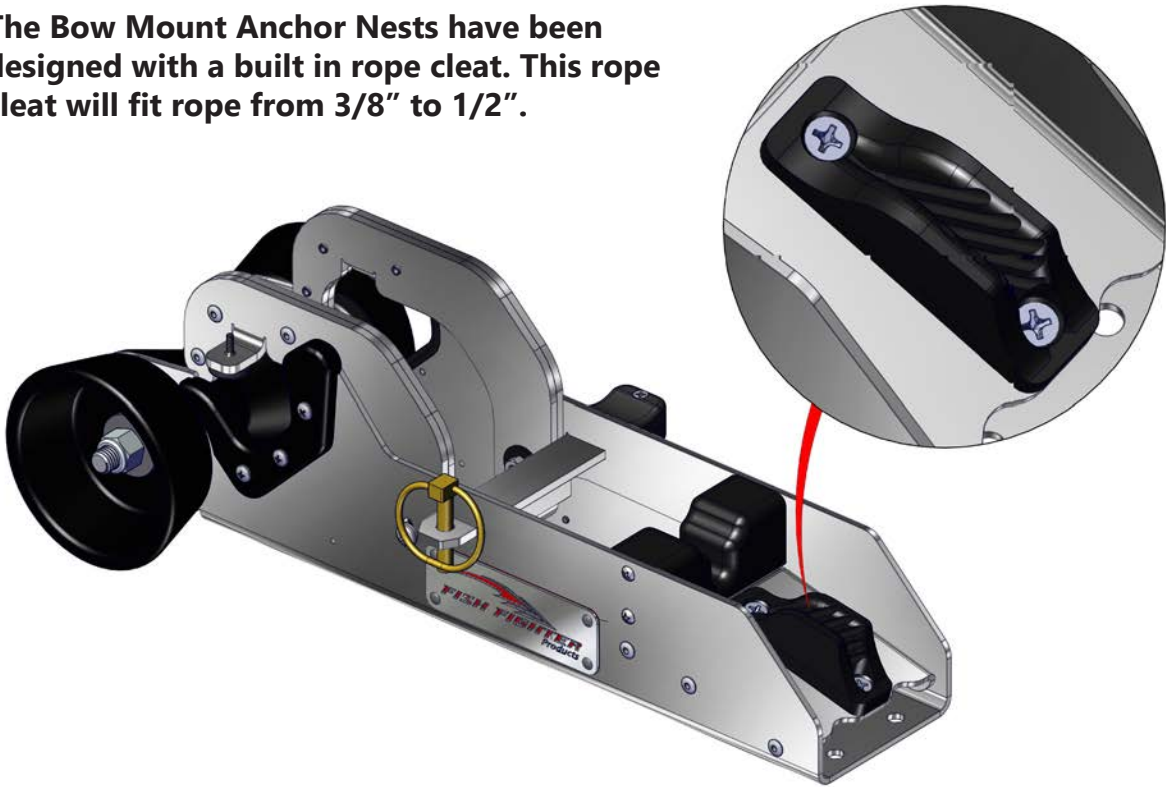
TECH TIP

Install an extra zip tie to the top of the anchor to help from anchor from binding on anchor nest while retrieving the anchor



Rope Cleat

The Bow Mount Anchor Nests have been designed with a built in rope cleat. This rope cleat will fit rope from 3/8" to 1/2".



The rope cleat has a 1,000 lb working load limit

