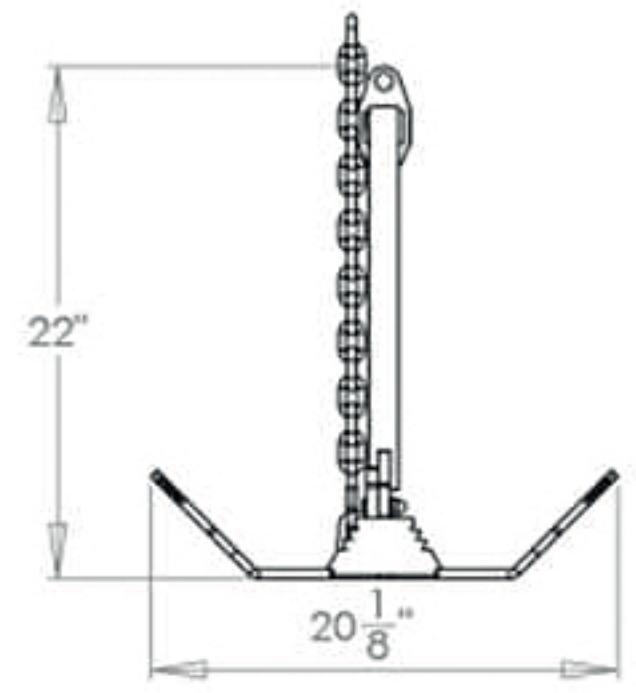
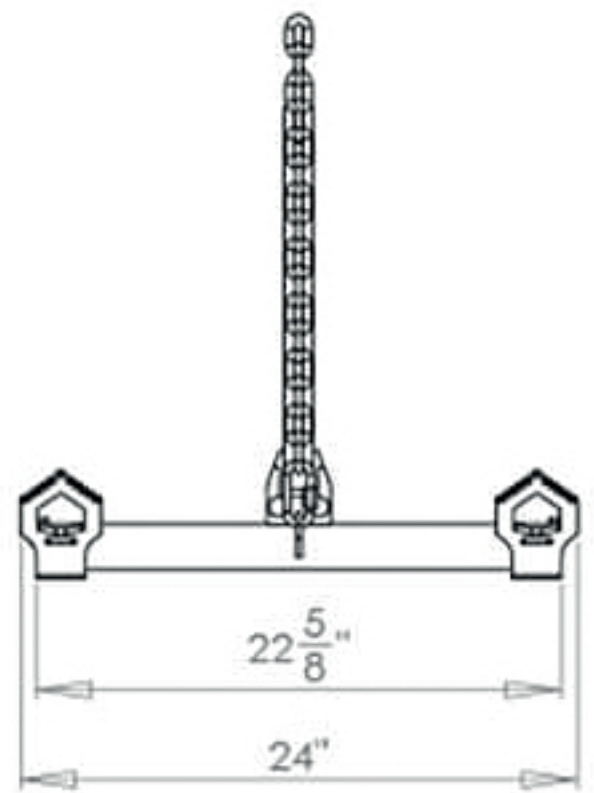
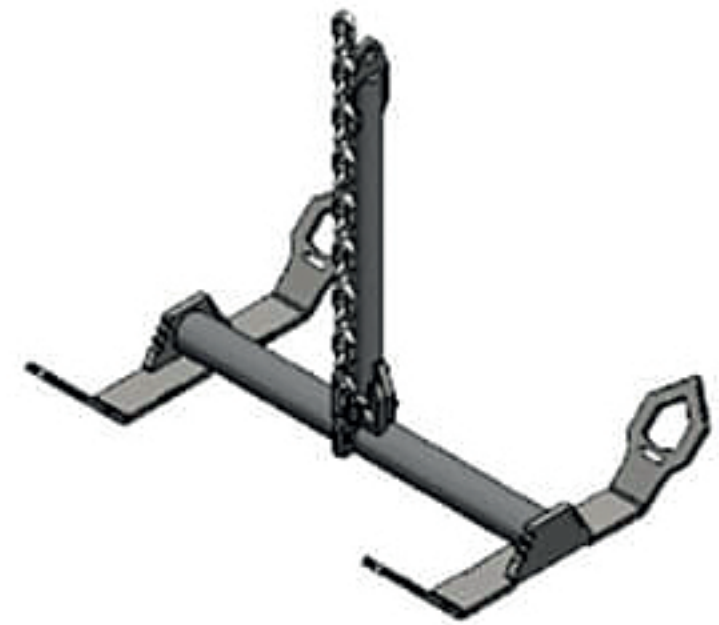


REV.	DESCRIPTION	DATE	APPROVED
------	-------------	------	----------



Weight: 40.16 Pounds



DRAWN BY: JL DATE: 6/18/2015 UNLESS OTHERWISE SPECIFIED: DIMENSIONS ARE IN INCHES TOLERANCES: FRACTIONAL: 1/16" ANGULAR: MACH: 0.25° BEND: 1.5° TWO PLACE DECIMAL: ± 0.020" THREE PLACE DECIMAL: ± 0.005" MATERIAL: DO NOT SCALE DRAWING	Inventive LLC In The Ditch Towing Products DESCRIPTION: 40lb Fixed Anchor Assembly SIZE PART NO. A ITD5000 SHEET SCALE 1:20	REV SHEET 1 of 2
--	--	---------------------

5 4 3 2 1