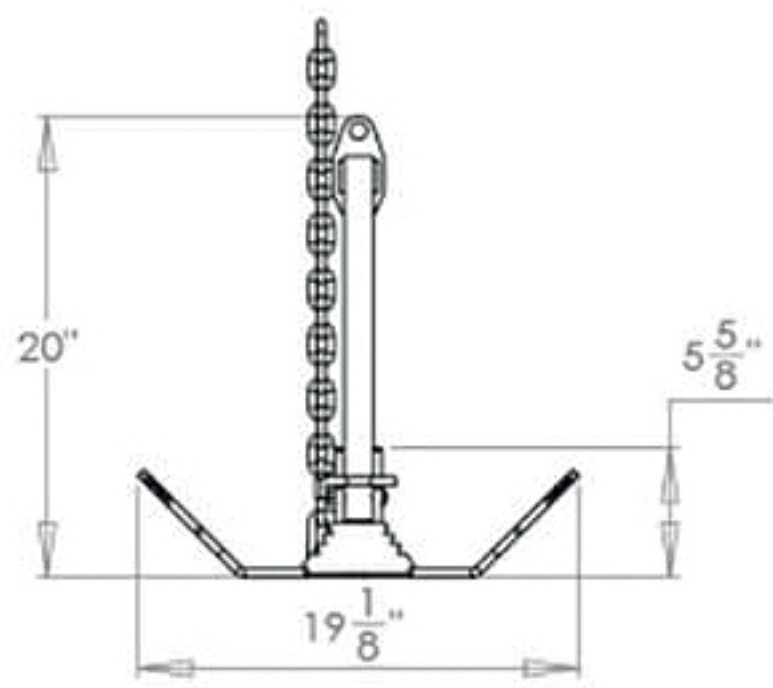
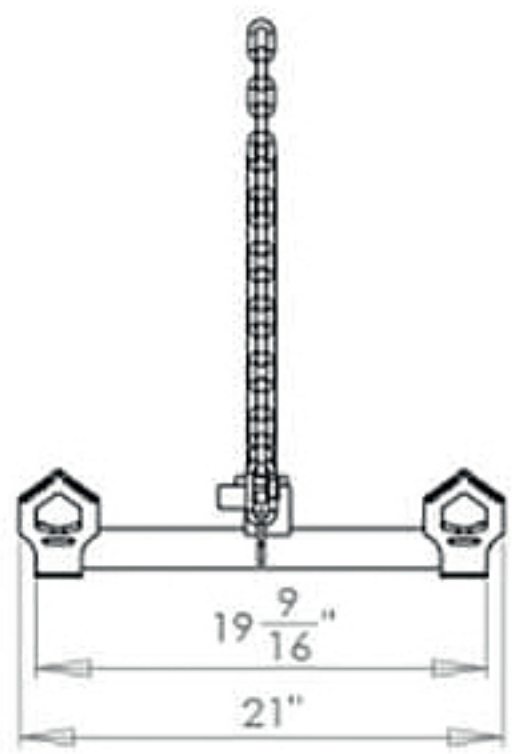


REV.	DESCRIPTION	DATE	APPROVED
------	-------------	------	----------



Weight: 33.36 Pounds

DRAWN BY: JL DATE: 6/26/2015 UNLESS OTHERWISE SPECIFIED: DIMENSIONS ARE IN INCHES TOLERANCES: FRACTIONAL: 1/16" ANGULAR: MACH: 0.25° BEND: 1.5° TWO PLACE DECIMAL: ± 0.020" THREE PLACE DECIMAL: ± 0.005" MATERIAL: DO NOT SCALE DRAWING	Inventive LLC In The Ditch Towing Products DESCRIPTION: 32lb Folding Anchor Assembly SIZE PART NO.: A ITD5021 SHEET SCALE 1:10	REV SHEET 1 of 2
--	---	---------------------

5 4 3 2 1