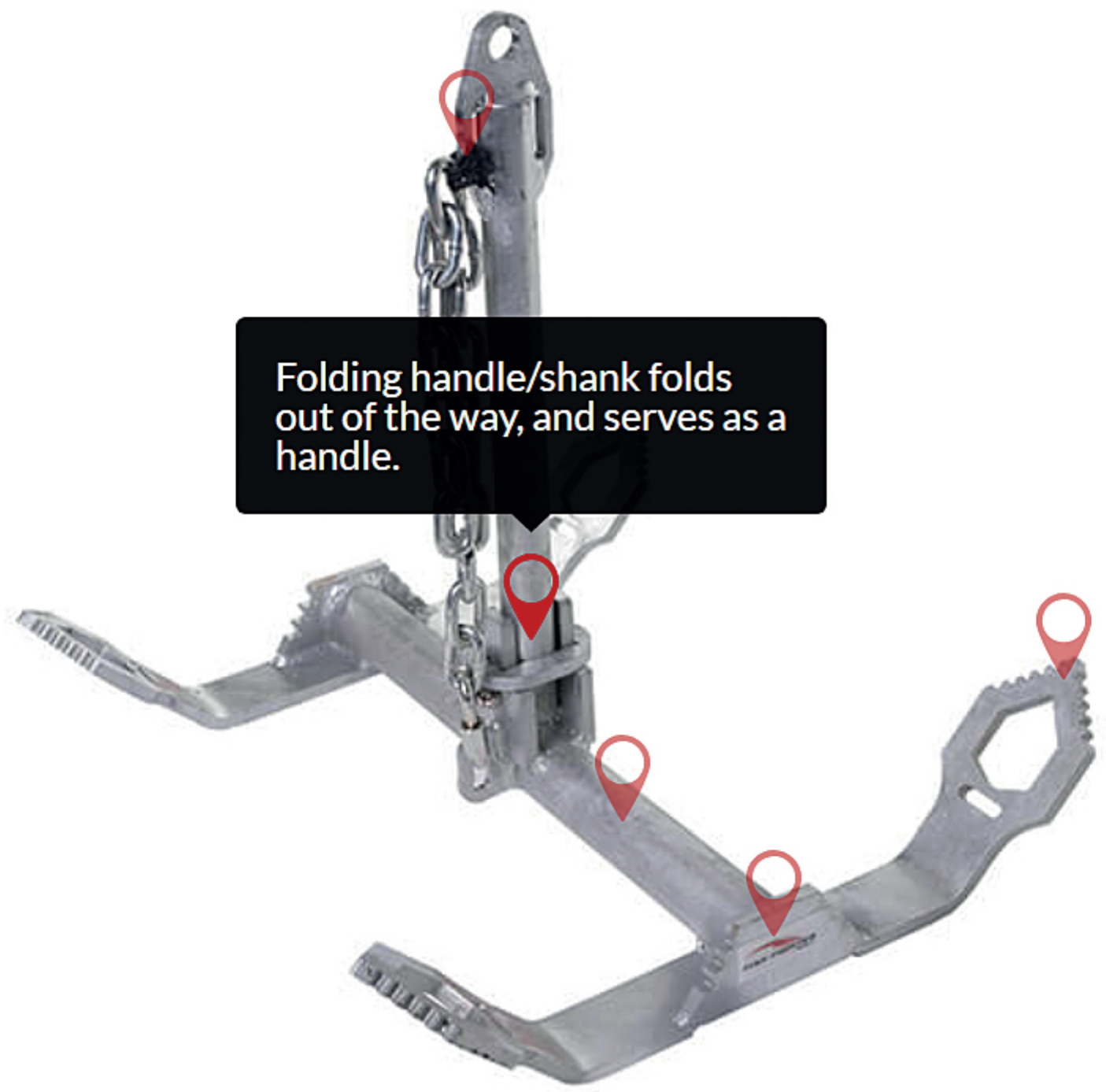


Break-free system helps you retrieve anchor if it becomes fouled.





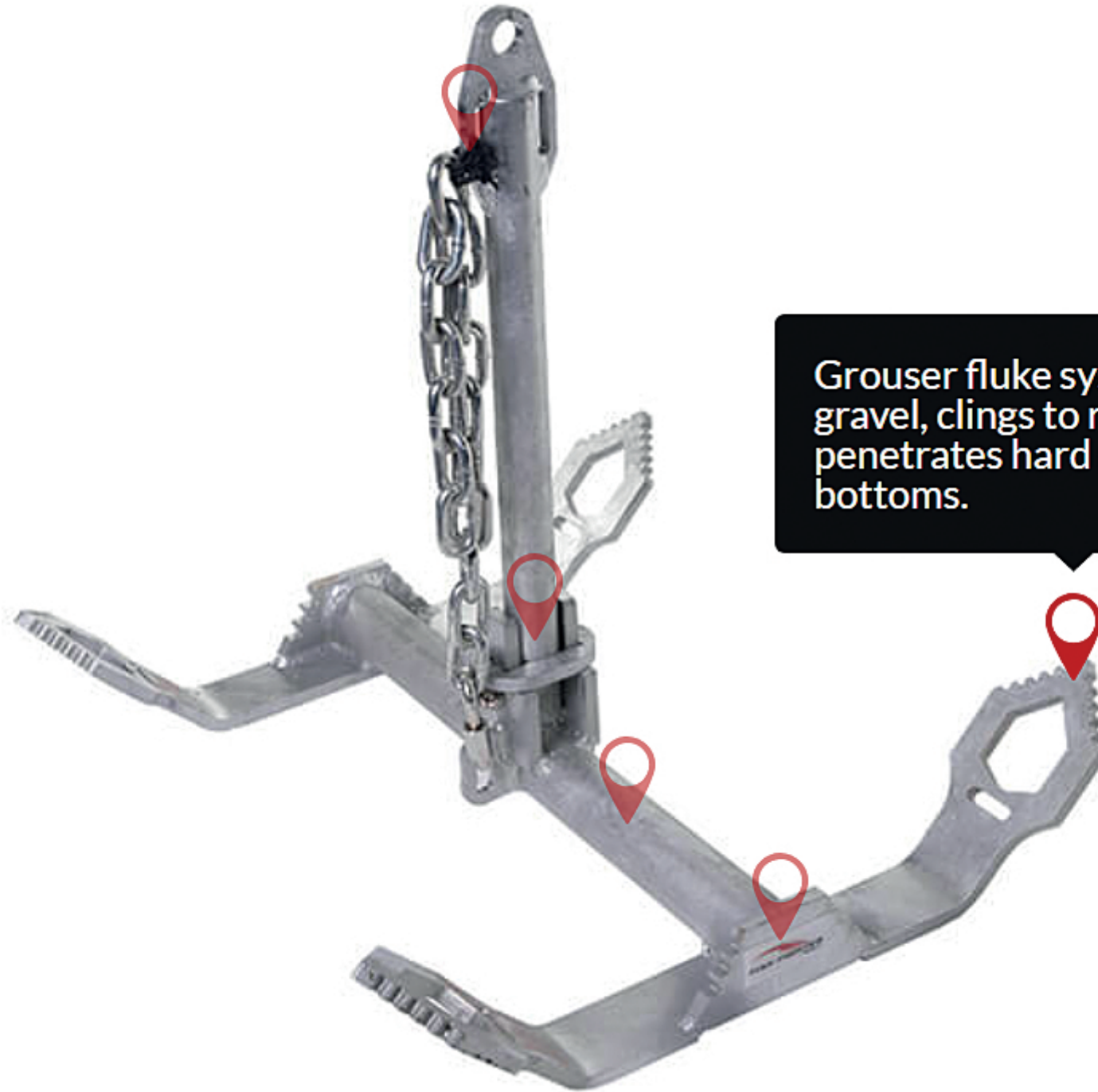
Folding handle/shank folds out of the way, and serves as a handle.



Galvanized finish.



Made in Idaho, USA.



Grouser fluke system claws at gravel, clings to rocks, and penetrates hard river-bottoms.